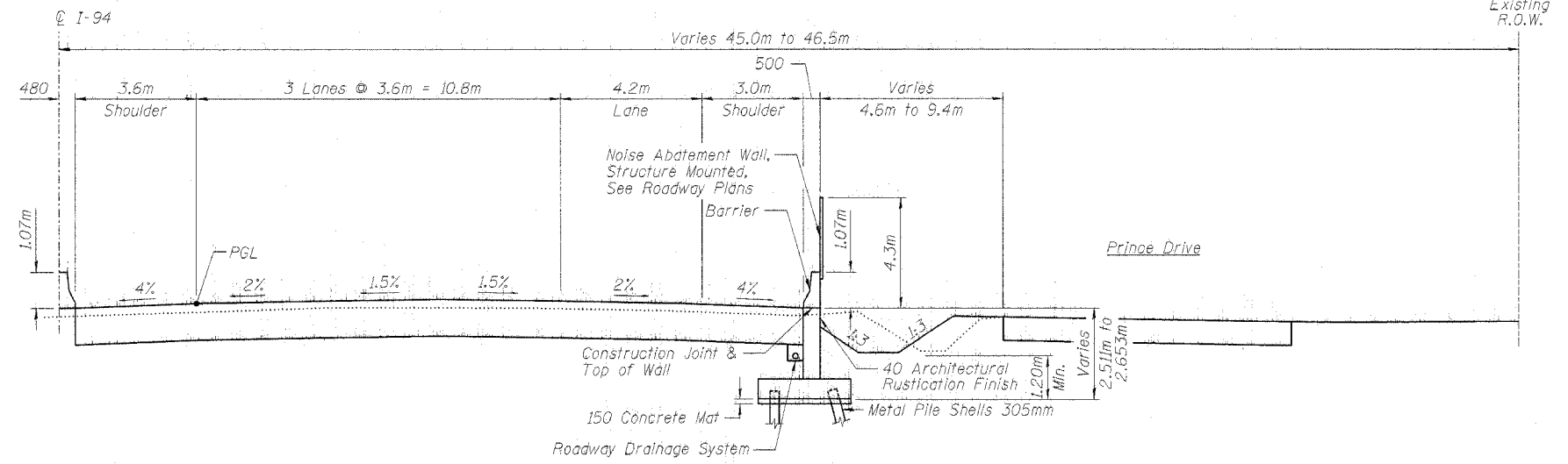
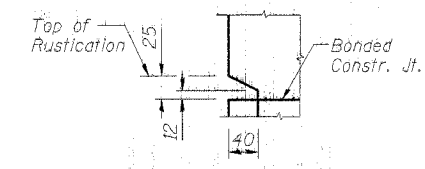


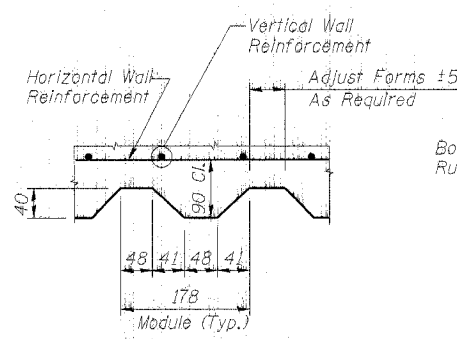
ELEVATION SHOWING AREA OF RUSTICATION FINISH



TYPICAL SECTION THRU RETAINING WALL

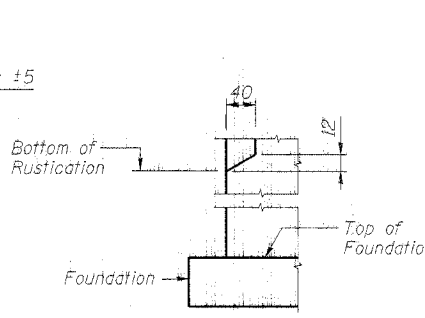


DETAIL AT TOP

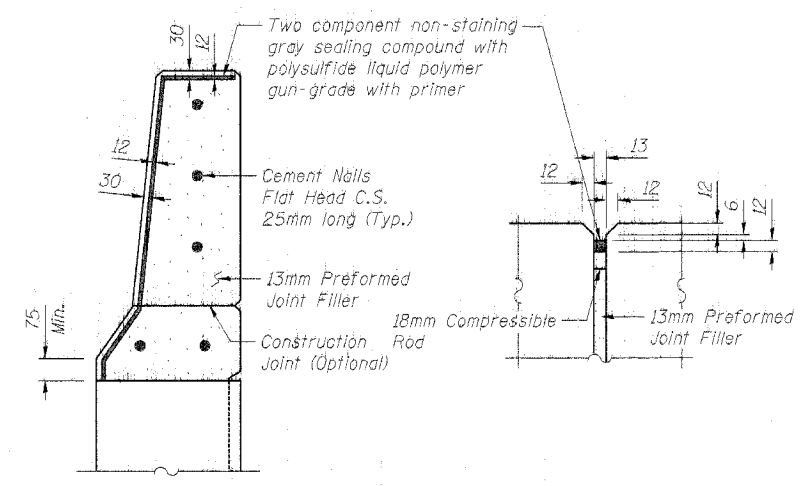


SECTION

RUSTICATION DETAILS

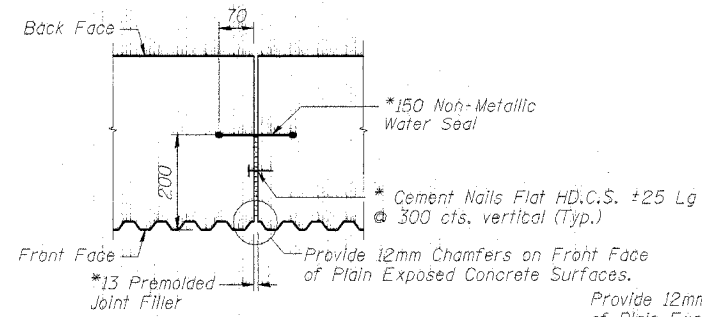


DETAIL AT BOTTOM



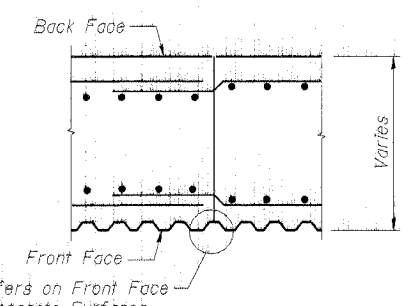
TYPICAL TRAFFIC BARRIER EXPANSION JOINT DETAIL

Cost of joint sealant, P.J.F. and cement nails are included with Concrete Structures.



TYPICAL WALL EXPANSION JOINT DETAIL

*Cost Included with Concrete Structures



CONSTRUCTION JOINT DETAIL

NOTE:
All dimensions are in millimeters (mm) except as noted.

DESIGNED	LAS
CHECKED	DAZ
DRAWN	SAW
CHECKED	LAS

ILLINOIS DEPARTMENT OF TRANSPORTATION
FAI ROUTE 80 (INTERSTATE 80/94)
INTERSTATE 294 TO US ROUTE 41
DETAILS & SECTIONS
IL 394 (F.A.I. 94) RETAINING WALL
SECTION (0203.1 & 0312-708W) R-3
COOK COUNTY
STA. 18+876.000 STRUCTURE NO. 016-W866
DATE: JULY 18, 2005
SCALE: 1/50
BRANCO & ZROKA
ENGINEERING, P.C.