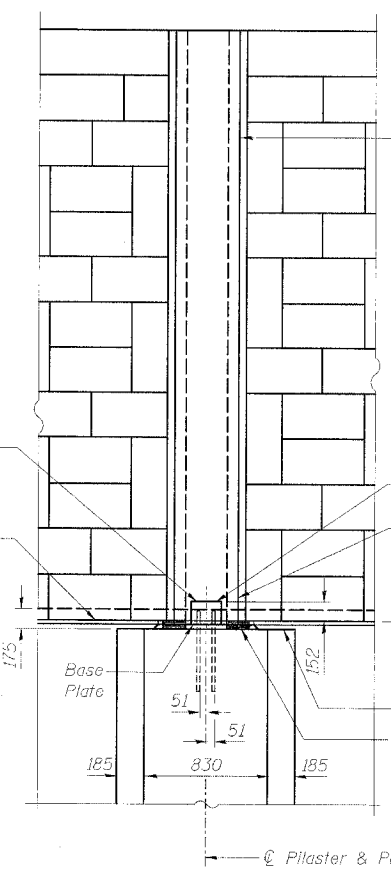
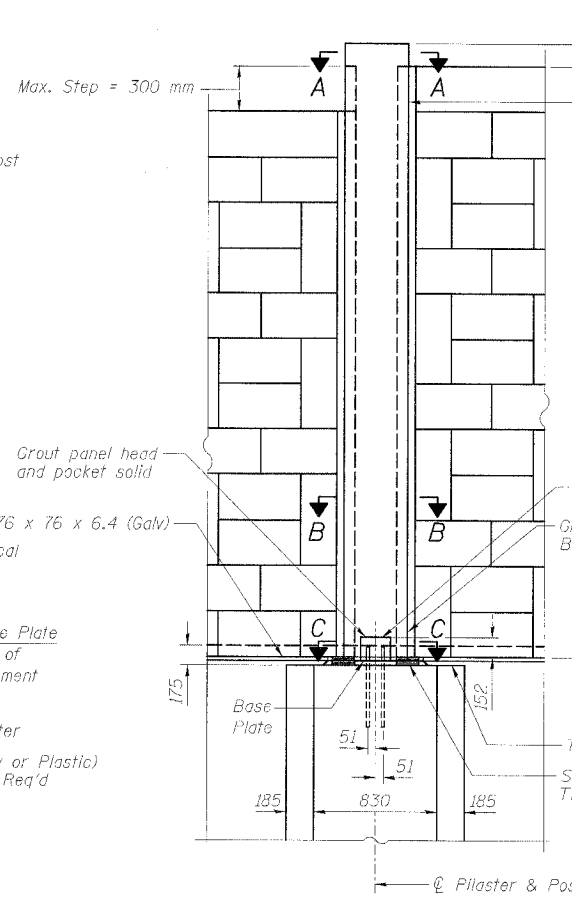


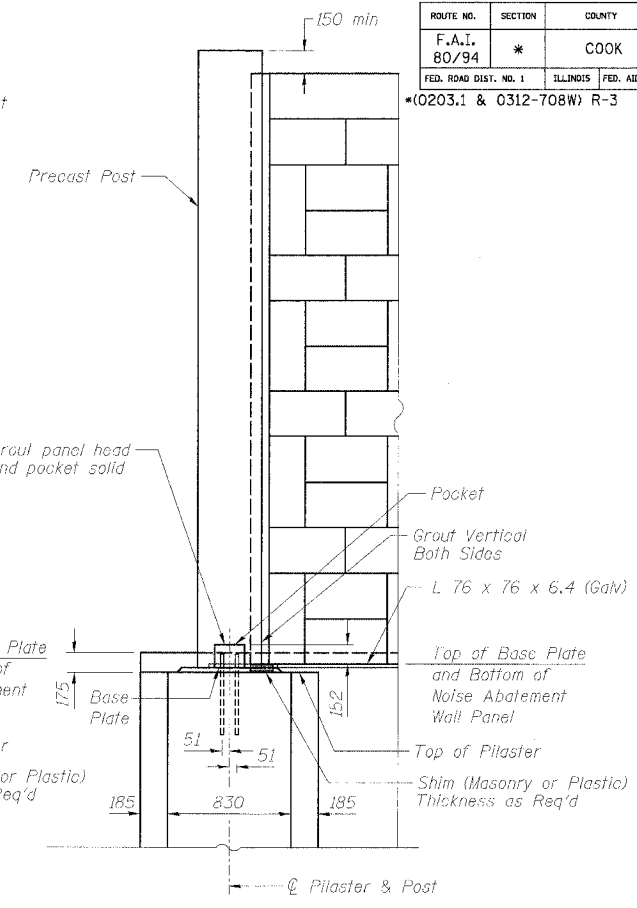
ALTERNATE STEEL POST (NO STEP)
(Looking @ Residential Side)



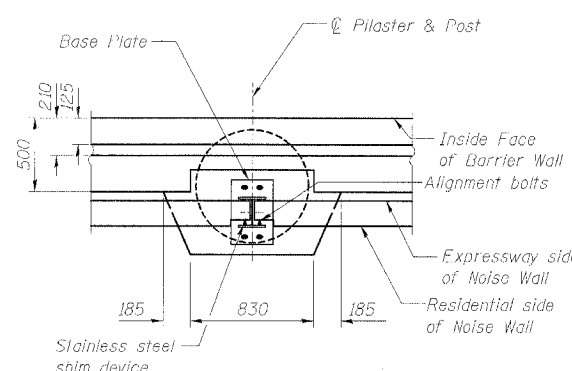
PRECAST POST (NO STEP)
(Looking @ Residential Side)



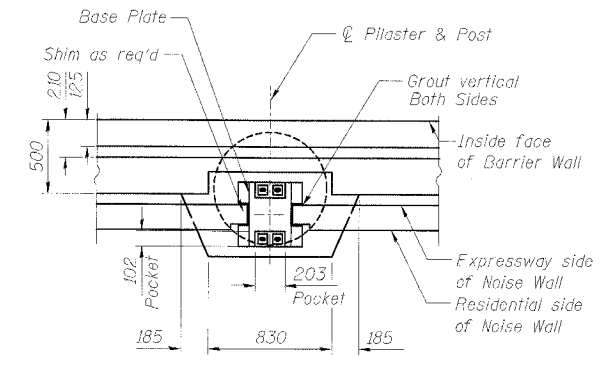
PRECAST POST AT NOISEWALL STEP
(Looking @ Residential side)



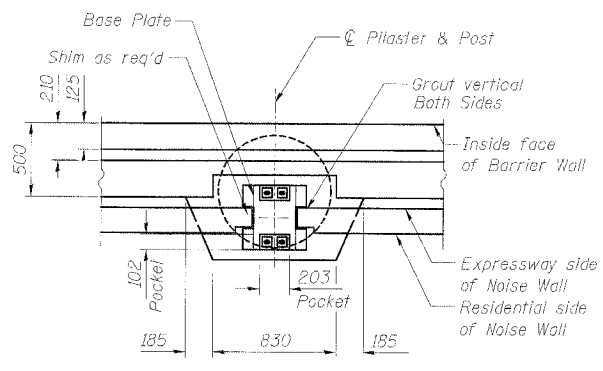
PRECAST POST AT NOISEWALL END
(Looking @ Residential side)



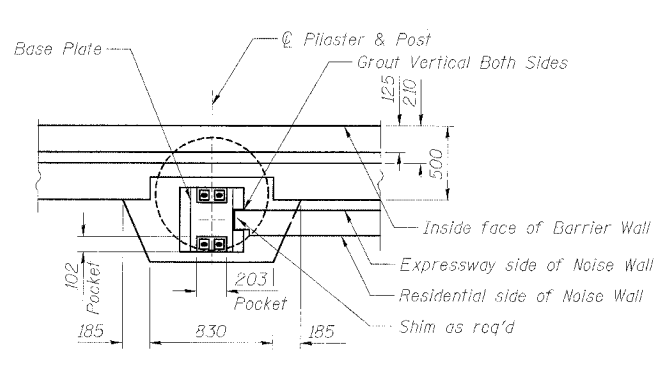
PLAN



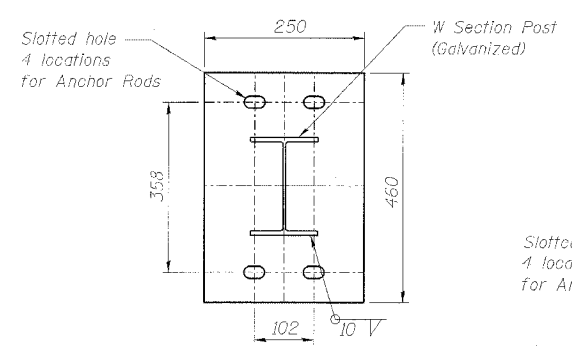
PLAN



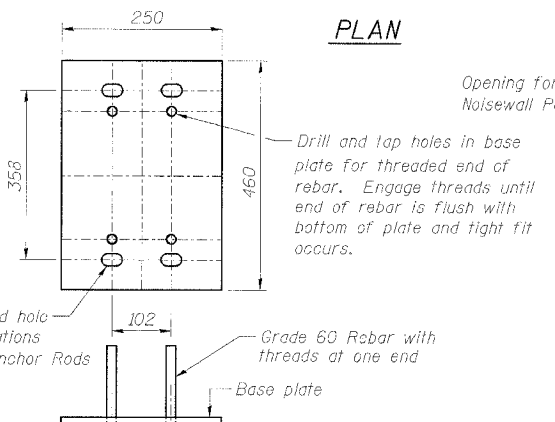
PLAN



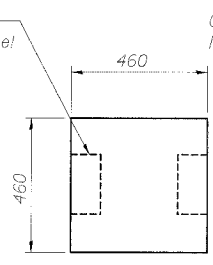
PLAN



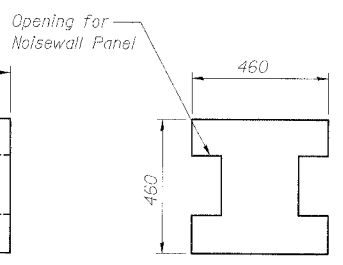
BASE PLATE FOR STEEL POST
(Galvanized)



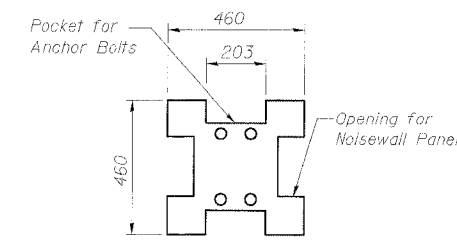
BASE PLATE FOR CONCRETE POST
(Galvanized)



SECTION A



SECTION B



SECTION C

Notes:
Size of slotted holes, base plate thickness and threaded rebar dimensions to be determined by manufacturer.

REVISIONS	
NAME	DATE

ILLINOIS DEPARTMENT OF TRANSPORTATION
F.A.I. ROUTE 80/94 (KINGERY EXPRESSWAY)

**NOISE ABATEMENT WALL
STRUCTURE MOUNTED**

SCALE NONE
DATE 11/03

DRAWN BY ACE/CAD
CHECKED BY

AMERICAN
CONSULTING ENGINEERS