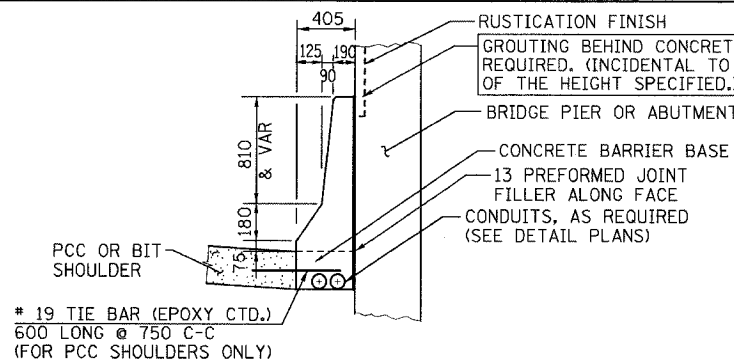
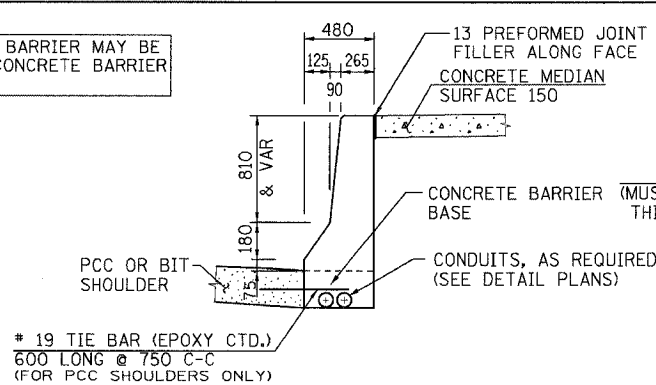


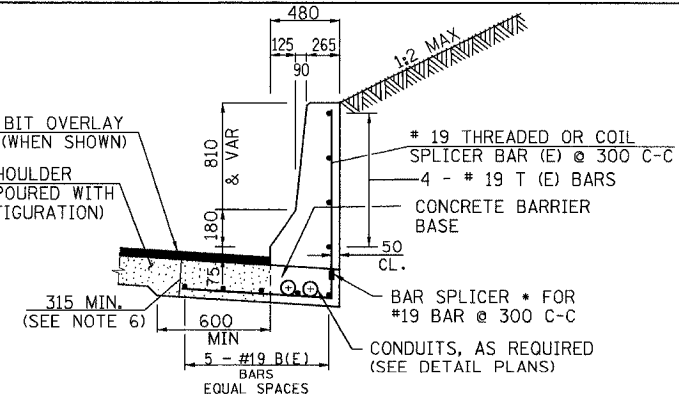
F.A.I. RTE.	SECTION	COUNTY	TOTAL SHEET NO.
80/94	*	COOK	870 710
STA.	TO STA.		
FED. ROAD DIST. NO.	ILLINOIS	FED. AID PROJECT	



SECTION F
CONC BAR 1F 1065 HT
CONCRETE BARRIER, SINGLE FACE,
1065 HEIGHT



SECTION G
CONC BAR 1F 1065 HT
CONCRETE BARRIER, SINGLE FACE,
1065 HEIGHT



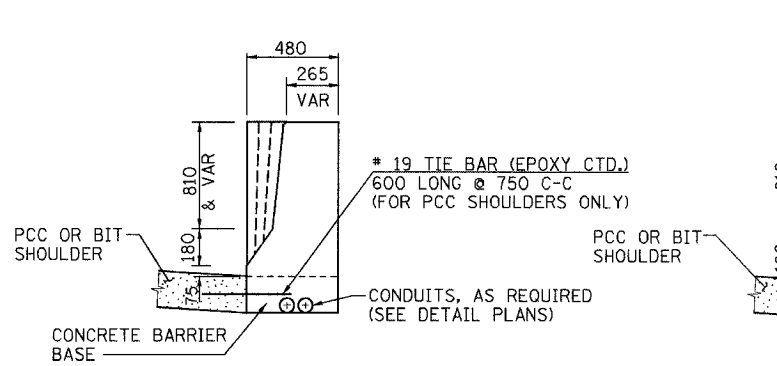
SECTION H
CONC BAR 1F 1065 HT REIN
CONCRETE BARRIER, SINGLE FACE,
1065 HEIGHT, REINFORCED
CUT SECTION

• THE BAR SPLICER SHALL BE CAPABLE OF DEVELOPING A MINIMUM OF 125% OF THE YIELD STRENGTH OF A #19 BAR

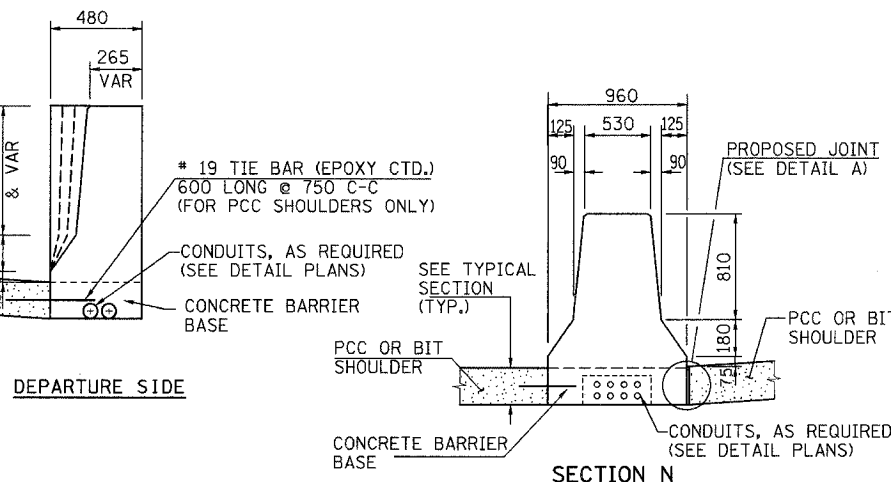
CUT SECTION

REINFORCING BARS 6.1 m SECTION				
BAR	NO.	SIZE	LENGTH	SHAPE
B(E)	5	#19	6.00 m	—
T(E)	4	#19	6.00 m	—
REINFORCING BARS (EPOXY COATED)			Kg	121
BAR SPLICER			EACH	21

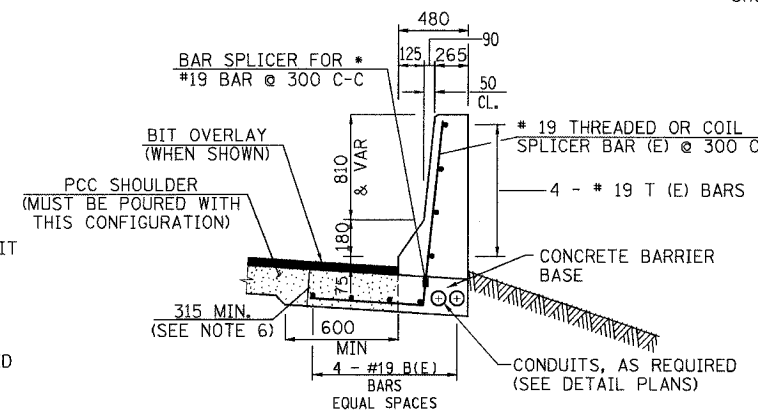
** LONGITUDINAL BARS SHOULD NOT EXTEND THROUGH JOINTS.



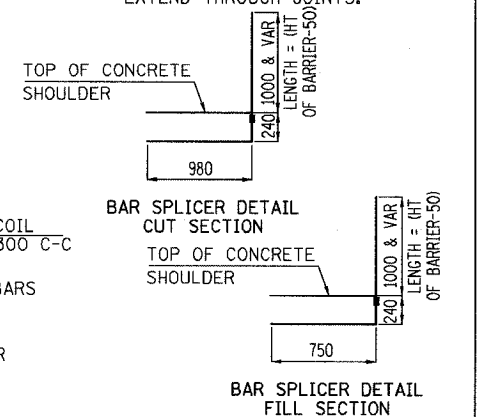
SECTION I
CONC BAR 1F 1065 HT
CONCRETE BARRIER, SINGLE FACE,
1065 HEIGHT



SECTION N
CONC BAR 2F 1065 HT
CONCRETE BARRIER, DOUBLE FACE,
1065 HEIGHT



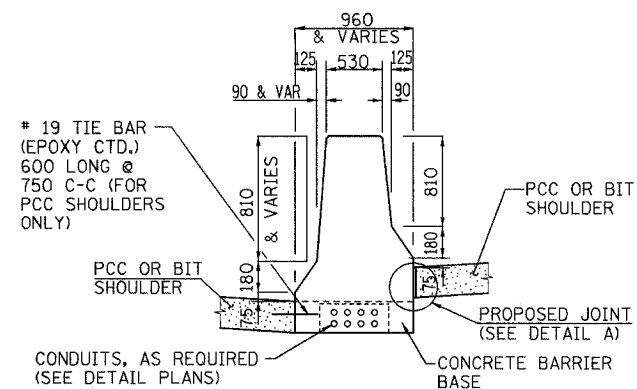
SECTION J
CONC BAR 1F 1065 HT REIN
CONCRETE BARRIER, SINGLE FACE,
1065 HEIGHT, REINFORCED
FILL SECTION



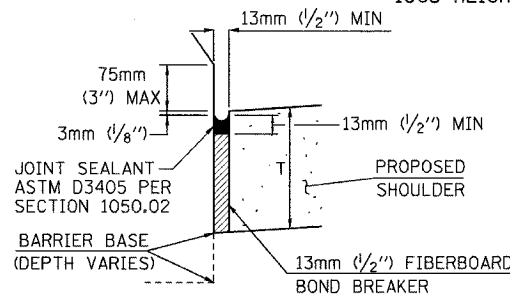
FILL SECTION

REINFORCING BARS 6.1 m SECTION				
BAR	NO.	SIZE	LENGTH	SHAPE
B(E)	4	#19	6.00 m	—
T(E)	4	#19	6.00 m	—
REINFORCING BARS (EPOXY COATED)			Kg	108
BAR SPLICER			EACH	21

** LONGITUDINAL BARS SHOULD NOT EXTEND THROUGH JOINTS.



SECTION K
CONC BAR 2F 1065 HT
CONCRETE BARRIER, DOUBLE FACE,
1065 HEIGHT



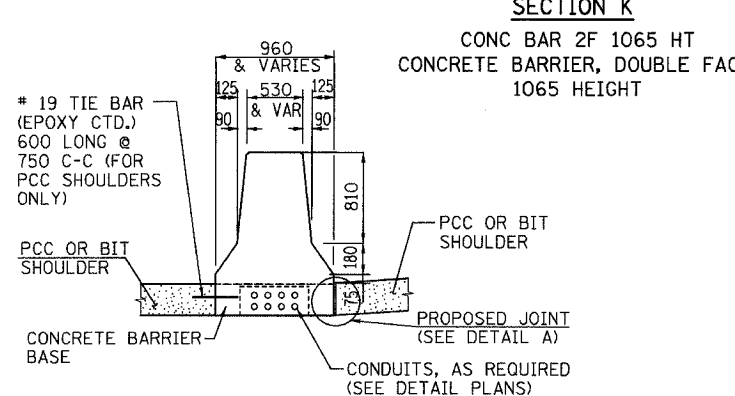
DETAIL A

LEGEND:

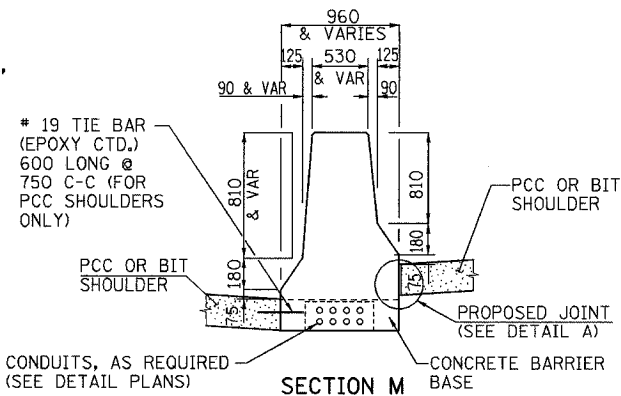
• PAY LIMITS OF BITUMINOUS OR PCC SHOULDERS.

NOTES:

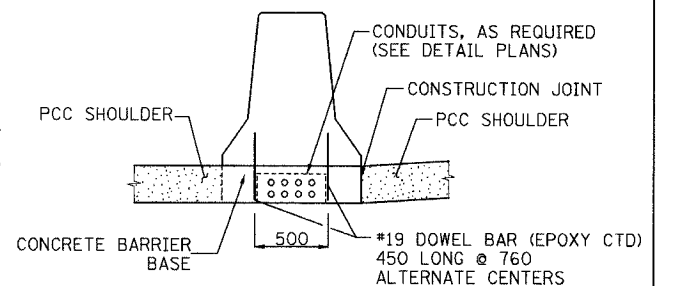
- FOR ADDITIONAL CONCRETE BARRIER DETAILS SEE STANDARDS 637001 & 637006.
- FOR ADDITIONAL SHOULDER DETAILS SEE TYPICAL SECTIONS, PIPE UNDERDRAIN & SUBGRADE DETAILS FOR OPEN AND CLOSED DRAINAGE SYSTEMS, P.C.C SHOULDER DETAILS AND/OR STANDARDS 601001, 482006, 483001 & 482001 AS APPLICABLE.
- A 25 RADIUS CAN BE SUBSTITUTED FOR THE 13 CHAMFER AT THE TOP OF THE BARRIER WALL.
- FOR BITUMINOUS SHOULDERS -- DEPTH "T" EQUALS 450 MINIMUM.
- FOR PCC SHOULDERS -- DEPTH "T" SHALL BE 255 MINIMUM OR THE SHOULDER DEPTH IF GREATER.
- THE THICKENED PCC SHOULDER FOR THE REINFORCED CONCRETE BARRIER SECTION SHALL BE INCLUDED IN THE COST OF THE CONCRETE BARRIER OF THE TYPE INVOLVED.
- ALL REINFORCING BARS, BAR SPLICERS, TIE BARS AND DOWEL BARS SHALL BE SEATED IN THE FINAL POSITION PRIOR TO THE CONCRETE OPERATIONS. BARS CANNOT BE MUCKED INTO PLACE.
- THE FURNISHING AND PLACING OF TIE BARS AND DOWEL BARS SHALL BE INCLUDED IN THE COST OF PCC SHOULDER OF THE THICKNESS SPECIFIED.
- THE FURNISHING AND PLACING OF BAR SPLICERS, TIE BARS AND DOWEL BARS SHALL BE INCLUDED IN THE COST OF THE PCC SHOULDER OF THE THICKNESS SPECIFIED.
- THE CONDUIT LOCATIONS SHOWN ARE TYPICAL. ADDITIONAL CONDUITS MAY BE REQUIRED, FOR THE SIZE, LOCATION, AND DETAILS, SEE THE ELECTRICAL AND/OR SURVEILLANCE PLANS. THE FURNISHING AND PLACING OF CONDUITS OF THE SIZE SPECIFIED SHALL BE PAID FOR SEPARATELY.



SECTION L
CONC BAR 2F 1065 HT
CONCRETE BARRIER, DOUBLE FACE,
1065 HEIGHT



SECTION M
CONC BAR 2F 1065 HT
CONCRETE BARRIER, DOUBLE FACE,
1065 HEIGHT



OPTIONAL CONFIGURATION
DOUBLE FACE BARRIER ON PCC SHOULDER

ALL DIMENSIONS IN MILLIMETERS UNLESS OTHERWISE SHOWN.

REVISIONS	
NAME	DATE
MDV	01/30/04
MRN	3/29/04
MDV	8/25/04
MRN	4/20/05
NLP	8/04/05

ILLINOIS DEPARTMENT OF TRANSPORTATION
F.A.I. ROUTE 80/94 (KINGERY EXPRESSWAY)

CONCRETE BARRIER DETAILS
1065 MM WALL

SCALE NONE
DATE 10/03
DRAWN BY ACE/CAD
CHECKED BY

