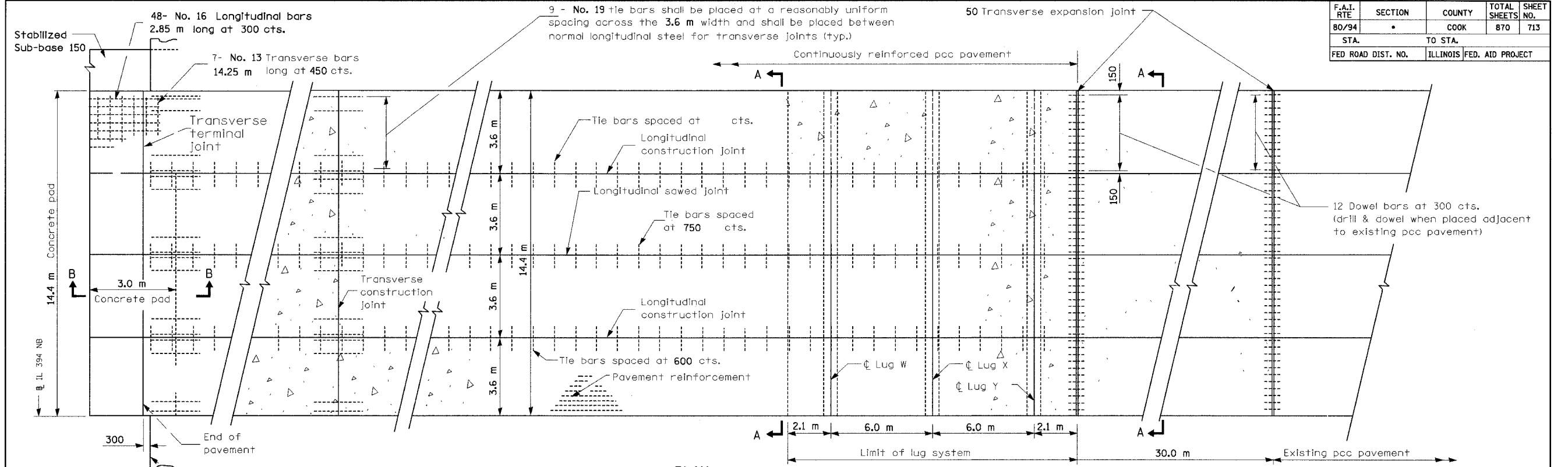
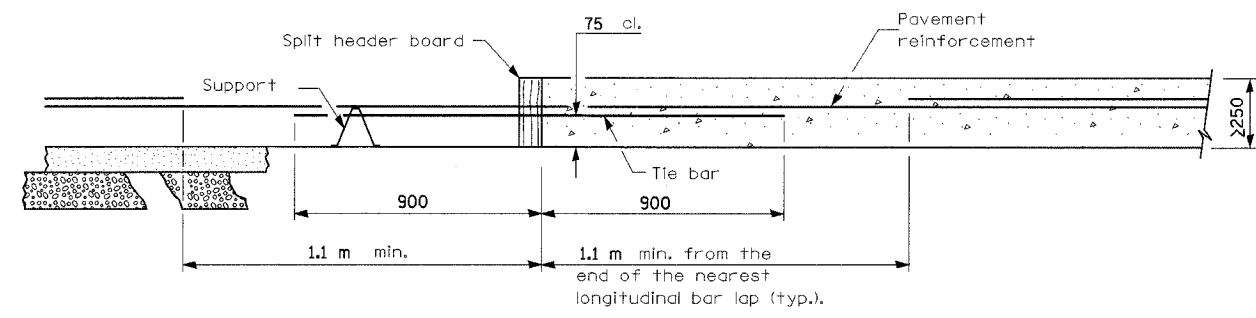


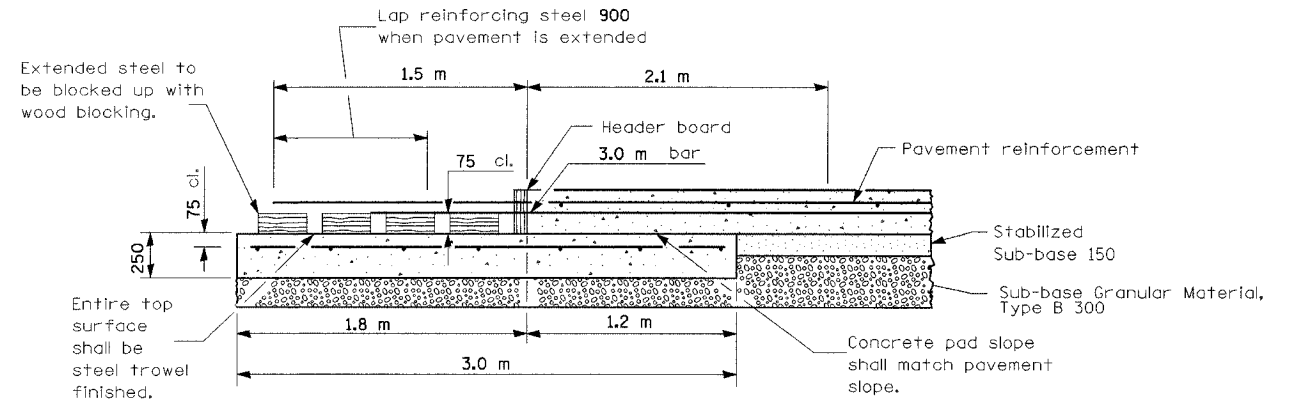
F.A.I. RTE	SECTION	COUNTY	TOTAL SHEETS	SHEET NO.
80/94		COOK	870	713
STA. TO STA.		ILLINOIS FED. AID PROJECT		



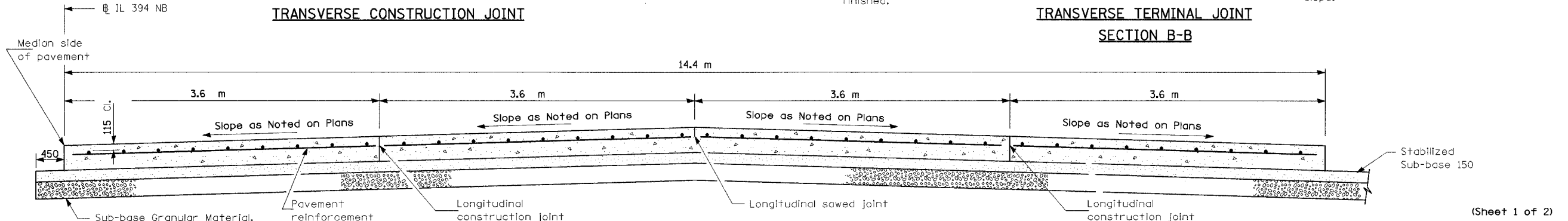
PLAN



TRANSVERSE CONSTRUCTION JOINT



TRANSVERSE TERMINAL JOINT
SECTION B-B



SECTION A-A

GENERAL NOTES

See Standards 420001 and 420401 for joint details not shown.

See Standard 421001 and Typical Sections Legend & Notes for details of pavement reinforcement.

All dimensions are in millimeters unless otherwise shown.

REVISIONS	
NAME	DATE

ILLINOIS DEPARTMENT OF TRANSPORTATION
I-94 EAST BOUND / IL 394 SOUTH BOUND
14.4 METER CRC PAVEMENT
(WITH LUG SYSTEM)
IL 394 SB, STA. 38+775

HORIZ. SCALE:
VERT. SCALE:
DATE: JULY 18, 2005

DRAWN BY: BJM
CHECKED BY: AYR

HNTB