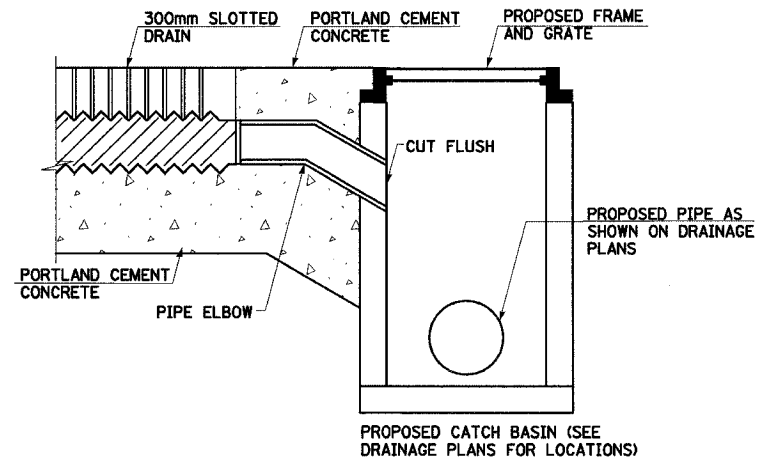
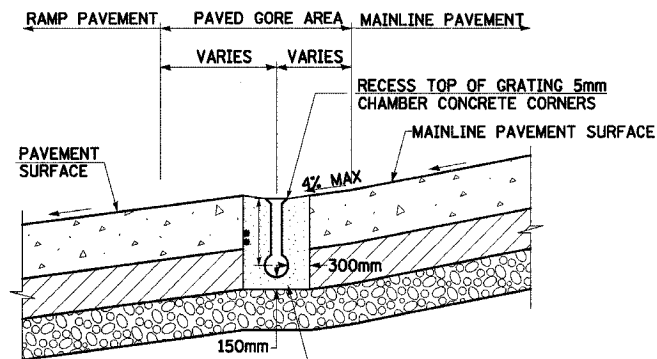


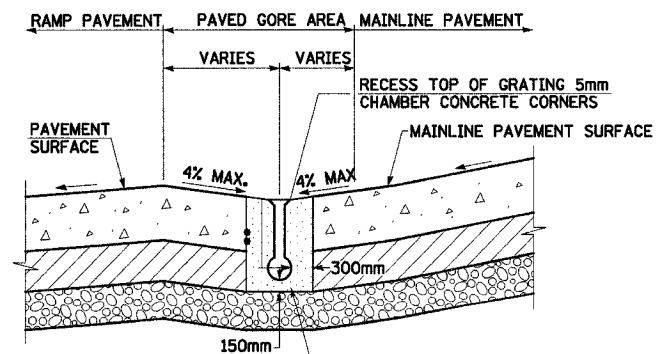
F.A.I. RTE	SECTION	COUNTY	TOTAL SHEETS	SHEET NO.
80/94		COOK	870	724
STA.		TO STA.		
FED ROAD DIST. NO.		ILLINOIS FED. AID PROJECT		



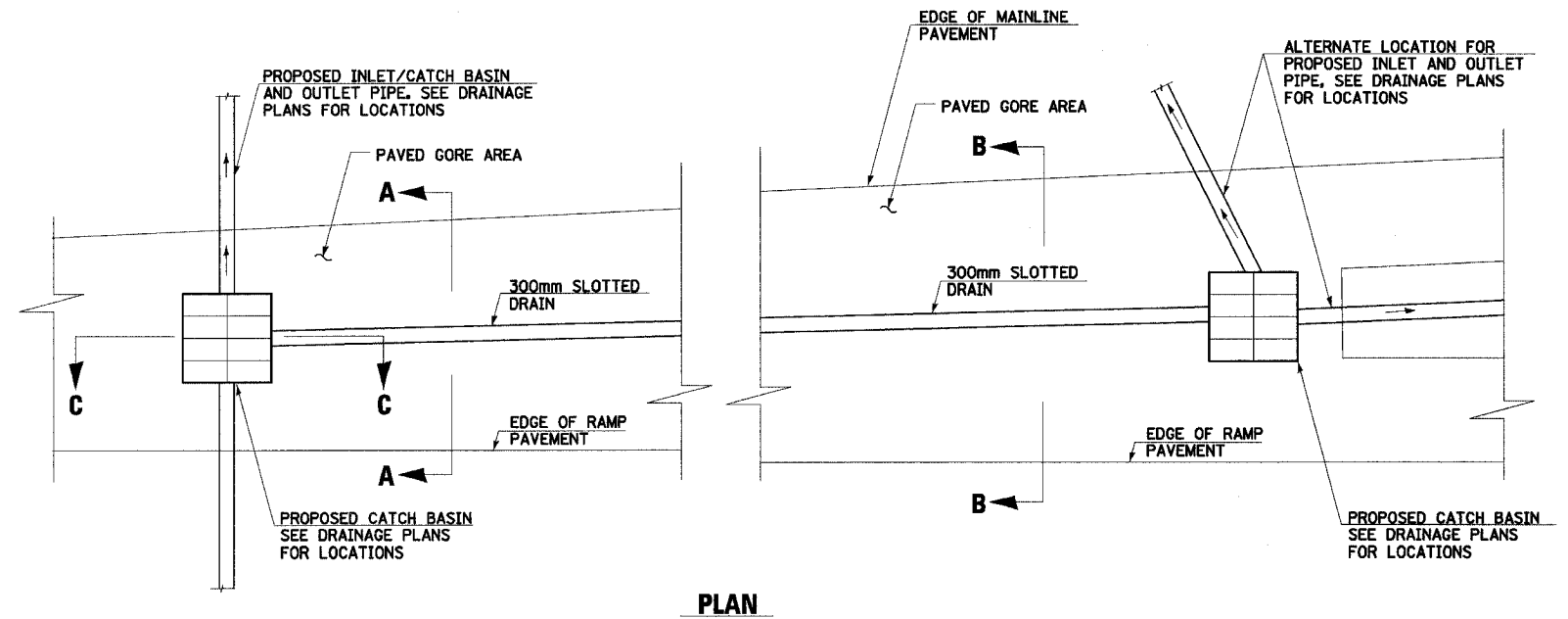
SECTION C-C
CONNECTION TO PROPOSED CATCH BASIN



SECTION A-A
RAMP ON OUTSIDE OF SUPERELEVATED MAINLINE SECTION
**- HEIGHT VARIES, SEE DRAINAGE SCHEDULES



SECTION B-B
**- HEIGHT VARIES, SEE DRAINAGE SCHEDULES



PLAN

NOTES:

- ALL SLOTTED DRAINS ARE 300mm (12 IN) DIAMETER. SLOT WIDTH SHALL BE 44mm (1-3/4 IN.). SPACER BARS SHALL BE 4.7mm (3/16 IN.) SOLID WEB SPACERS ON 150mm (6 IN. CENTERS) FOR THE FULL DEPTH OF THE GRATING.
- THE HEIGHT OF THE SLOT CAN BE VARIED FROM 60mm TO 300mm MAX. IN ORDER TO INCREASE SLOPE AND VELOCITY OF PIPE PROVIDING SELF CLEANING ABILITY.
- WHEN CONSTANT HEIGHT OF SLOT IS SPECIFIED, IT WILL BE 150mm. WHEN VARIABLE HEIGHT SLOT IS USED, UPSTREAM INVERT TO BE 60mm OR APPROPRIATE DEPTH TO MAINTAIN 60mm MIN. HEIGHT OF SLOT.
- THE UPSTREAM END OF EACH SLOTTED DRAIN INSTALLATION SHALL BE SEALED WITH A WELDED END PLATE IN ACCORDANCE WITH MANUFACTURER'S SPECIFICATIONS.
- THE SLOTTED DRAIN SHALL BE INSTALLED IN A TRENCH EXCAVATED TO THE REQUIRED GRADE, AS SHOWN IN SECTIONS, WIDE ENOUGH TO ACCOMMODATE PIPEDRAIN. IF TRENCH IS EXCAVATED TOO DEEP, ADDITIONAL DEPTH SHALL BE FILLED WITH APPROVED FINE AGGREGATE AND COMPACTED TO THE SATISFACTION OF THE ENGINEER AT NO ADDITIONAL COST
- CONNECTION TO EXISTING AND PROPOSED DRAINAGE STRUCTURES IS INCLUDED IN THE UNIT PRICE OF THE SLOTTED DRAIN. ALL MATERIALS REQUIRED FOR CONNECTION INCLUDED IN UNIT PRICE OF SLOTTED DRAIN.
- PRIOR TO BACKFILLING THE SLOTTED DRAIN SHALL BE COVERED TO PREVENT THE INTRUSION OF FOREIGN MATERIAL DURING BACKFILLING AND PAVING OPERATIONS.

ILLINOIS DEPARTMENT OF TRANSPORTATION
I-94 EAST BOUND / IL 394 SOUTH BOUND

REVISIONS	
NAME	DATE

**DRAINAGE DETAILS
SLOTTED DRAIN**

HORIZ SCALE: NONE
VERT SCALE: NONE
DATE: JULY 18, 2005
DRAWN BY: BAH
CHECKED BY: MAM

