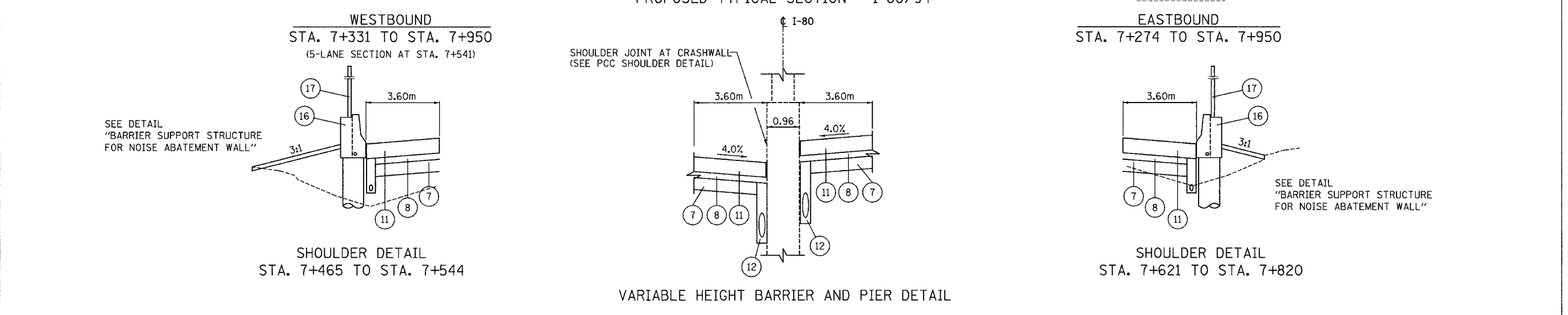
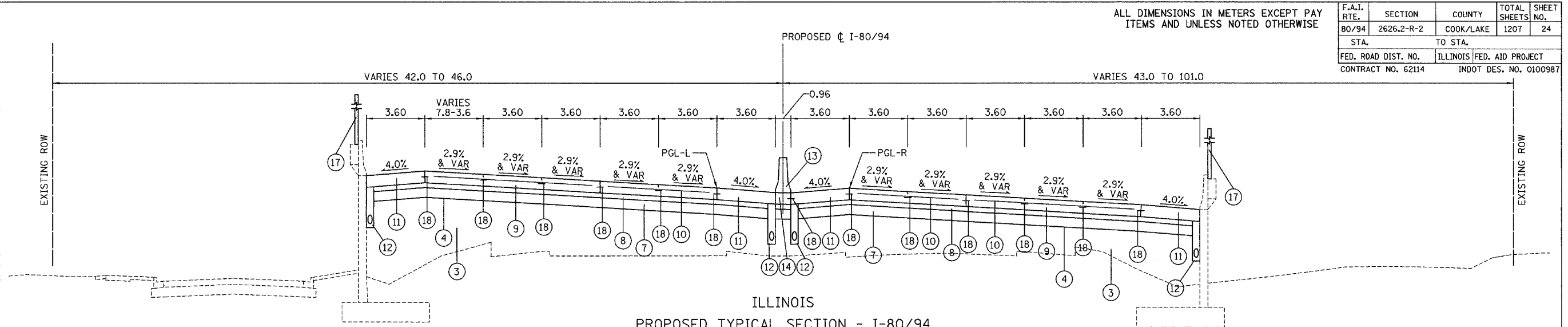


F.A.I. RTE.	SECTION	COUNTY	TOTAL SHEETS	SHEET NO.
80/94	2626.2-R-2	COOK/LAKE	1207	24
STA. TO STA.		ILLINOIS FED. AID PROJECT		
FED. ROAD DIST. NO.		CONTRACT NO. 62114		
		INDOT DES. NO. 0100987		



REVISIONS	
NAME	DATE

ILLINOIS DEPARTMENT OF TRANSPORTATION
 I-80/94/US 6
 KINGERY-BORMAN EXPRESSWAY
 BURNHAM ROAD TO US 41
PROPOSED TYPICAL SECTION
STA. 7+274 TO STA. 8+164
I-80/94/US 6

SCALE NTS
 DATE 07/05

DRAWN BY ACE/CAD
 CHECKED BY TAE

AMERICAN
 CONSULTING ENGINEERS