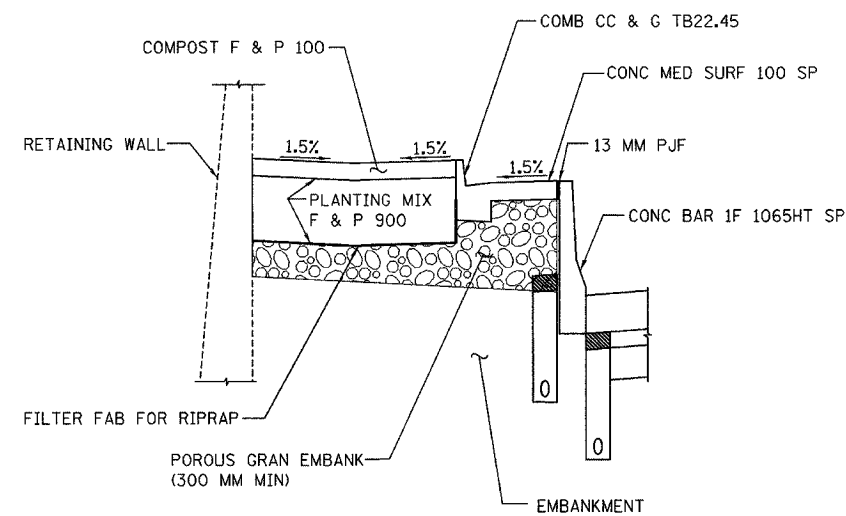
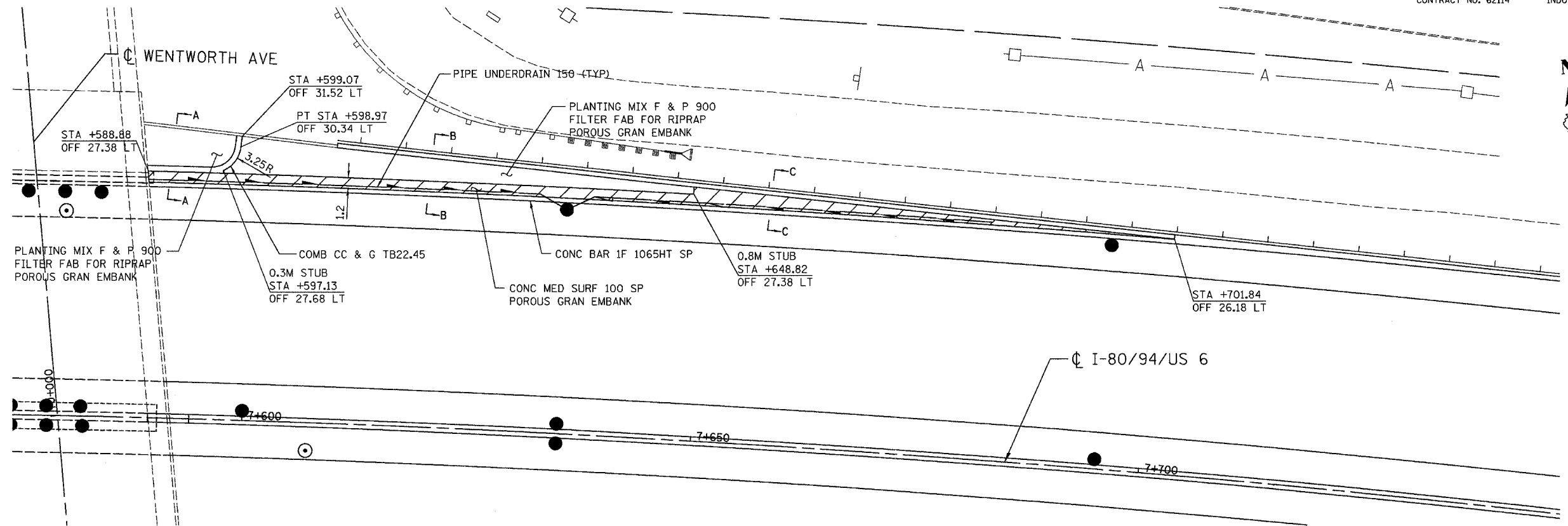
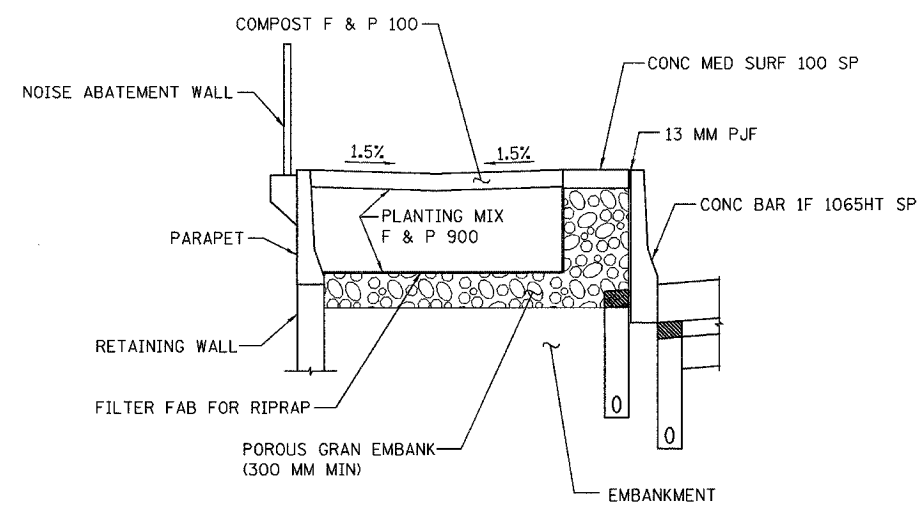


ALL DIMENSIONS IN METERS EXCEPT PAY ITEMS AND UNLESS NOTED OTHERWISE

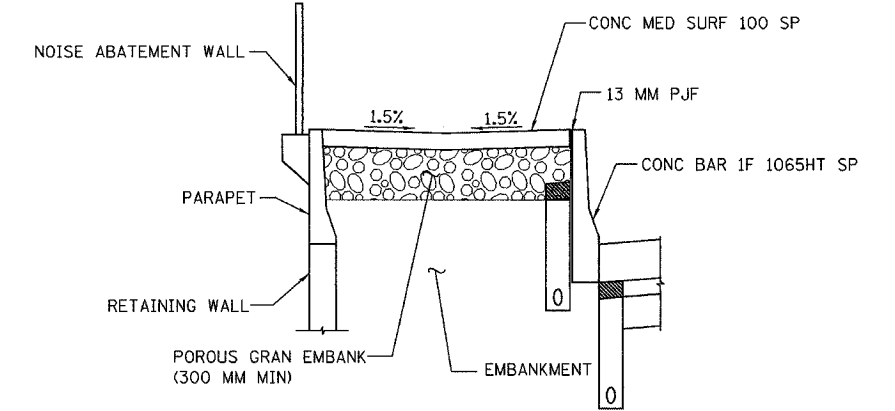
F.A.I. RTE.	SECTION	COUNTY	TOTAL SHEETS	SHEET NO.
80/94	2626.2-R-2	COOK/LAKE	1207	85
STA.	TO STA.			
FED. ROAD DIST. NO.	ILLINOIS FED. AID PROJECT			
CONTRACT NO. 62114	INDOT DES. NO. 0100987			



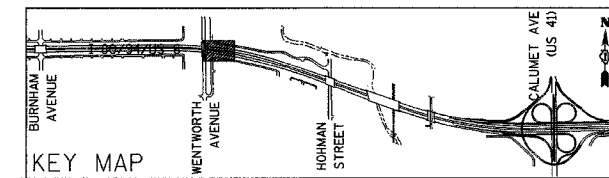
SECTION A-A



SECTION B-B



SECTION C-C



REVISIONS	
NAME	DATE

ILLINOIS DEPARTMENT OF TRANSPORTATION  
I-80/94/US 6 (KINGERY EXPRESSWAY)  
BURNHAM ROAD TO US 41 (CALUMET AVE)

GATEWAY DETAIL

SCALE 1:250  
DATE 07/05

DRAWN BY ACE/CAD  
CHECKED BY TAE

