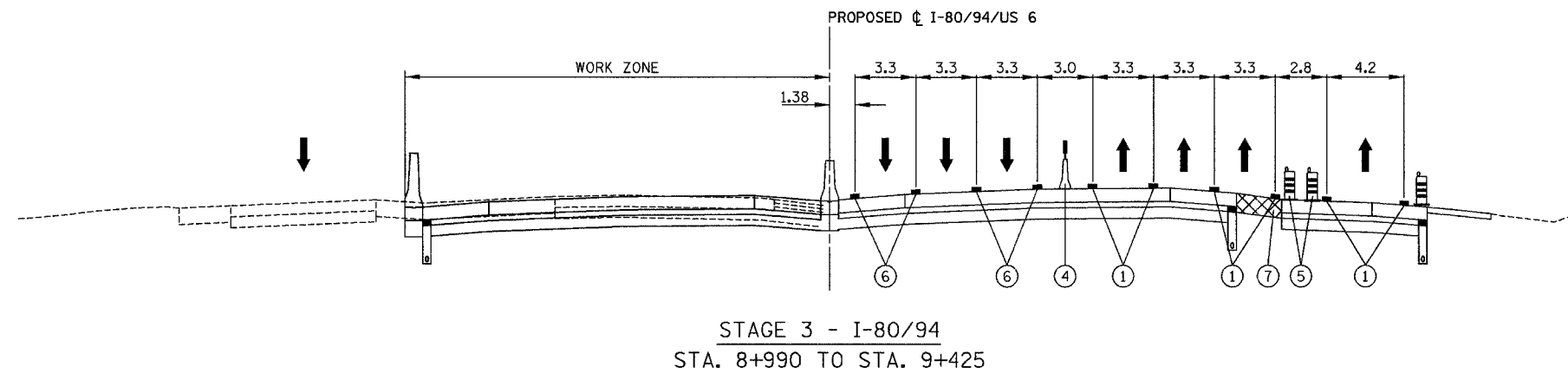
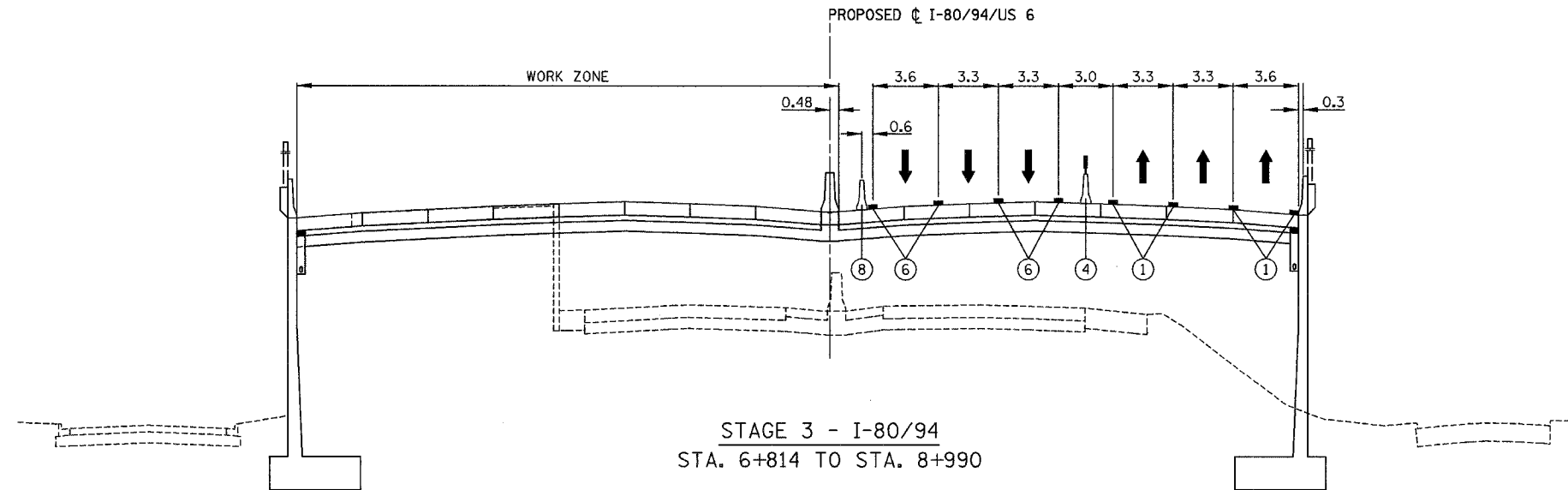


ALL DIMENSIONS IN METERS EXCEPT PAY ITEMS AND UNLESS NOTED OTHERWISE

F.A.I. RTE.	SECTION	COUNTY	TOTAL SHEETS	SHEET NO.
80/94	2626.2-R-2	COOK/LAKE	1207	189
STA.		TO STA.		
FED. ROAD DIST. NO.		ILLINOIS FED. AID PROJECT		
CONTRACT NO. 62114		INDOT DES. NO. 0100987		



**LEGEND**

- ① EXISTING PAVEMENT MARKING
- ② EXISTING GROUND LINE
- ③ EXISTING CONCRETE BARRIER
- ④ EXISTING TEMPORARY CONCRETE BARRIER
- ⑤ DRUM OR TYPE II BARRICADES WITH STEADY BURN LIGHTS
- ⑥ TEMPORARY PAVEMENT MARKINGS (SEE PLANS FOR DETAILS AND PAY ITEM)
- ⑦ TEMPORARY PAVEMENT
- ⑧ TEMPORARY CONCRETE BARRIER (SEE PLANS FOR PAY ITEM)
- ⑨ PROPOSED SUBGRADE
- ⑩ PROPOSED EMBANKMENT
- ⑪ VERTICAL PANELS
- ↑ TRAFFIC FLOW ARROW
- VAR. - INDICATES THAT THIS DIMENSION VARIES IN THE VICINITY OF THE INDICATED TYPICAL SECTION

NOTE: STATION LIMITS SHOWN AS APPROXIMATE INFORMATION ONLY.

REVISIONS	
NAME	DATE

ILLINOIS DEPARTMENT OF TRANSPORTATION  
 1-80/94/US 6  
 KINGERY-BORMAN EXPRESSWAY  
 BURNHAM ROAD TO US 41  
**MAINTENANCE OF TRAFFIC**  
**TYPICAL SECTIONS**  
 I-80 /94 /US-6

SCALE NTS  
 DATE 07/05  
 DRAWN BY ACE/CAD  
 CHECKED BY TAE

**AMERICAN**  
 CONSULTING ENGINEERS

...:\sweat\mtd0031a.rvt 04/17/2005 00:36:46 AM