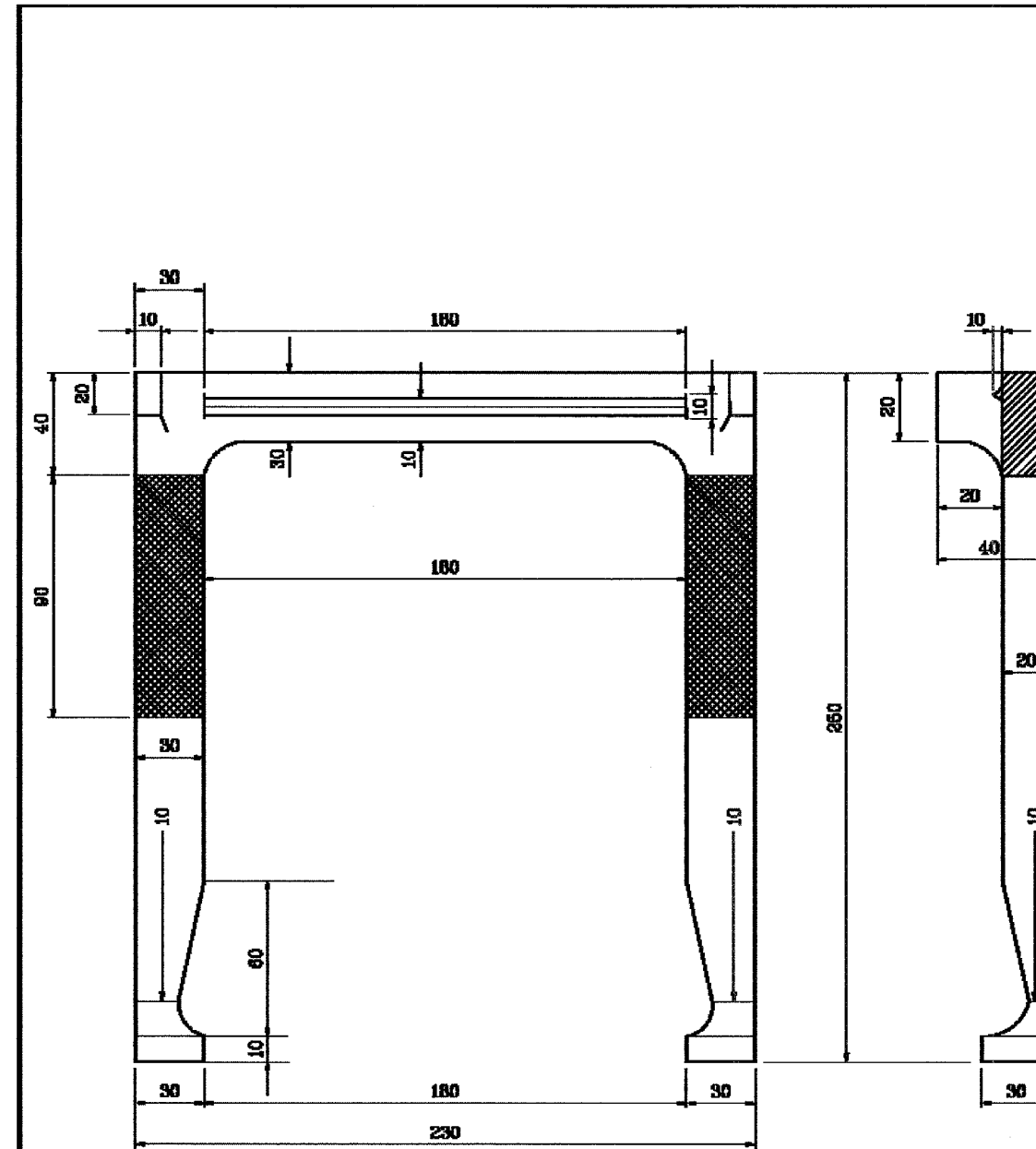


| | | | | |
|---------------------|---------------------------|-----------|--------------|-----------|
| F.A.I. RTE. | SECTION | COUNTY | TOTAL SHEETS | SHEET NO. |
| 80/94 | 2626.2-R-2 | COOK/LAKE | 1207 | 321 |
| STA. | TO STA. | | | |
| FED. ROAD DIST. NO. | ILLINOIS FED. AID PROJECT | | | |
| CONTRACT NO. 62114 | INDOT DES. NO. 0100987 | | | |



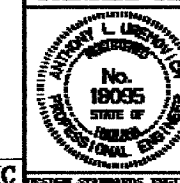
All dimensions are in mm unless otherwise specified.

INDIANA DEPARTMENT OF TRANSPORTATION

MANHOLE STEP

APRIL 1995

STANDARD DRAWING NO. 720-MHST-09



/s/ Anthony L. Urmovich 4/25/95
DESIGN STANDARD ENGINEER DATE

/s/ Donald V. Lucas 4/28/95
CHECK HIGHWAY ENGINEER DATE

Source Sheet: MC