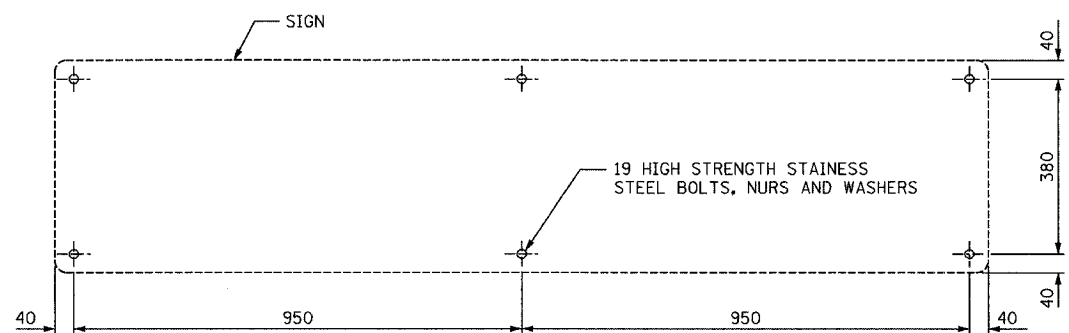
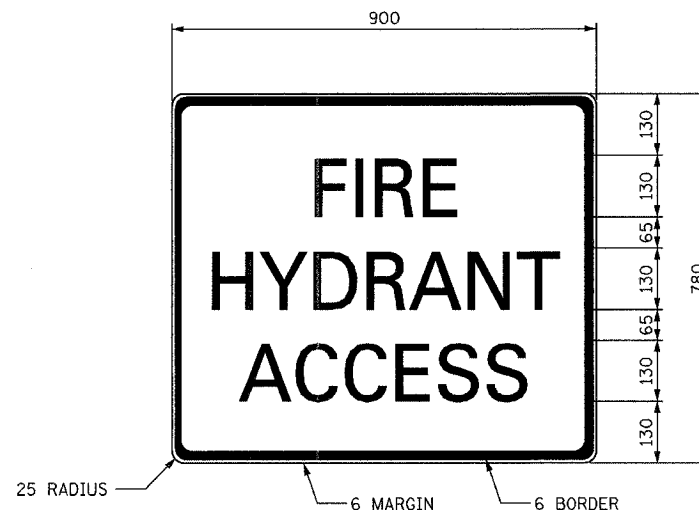




HYDRANT LOCATION SIGN - (INDIANA)



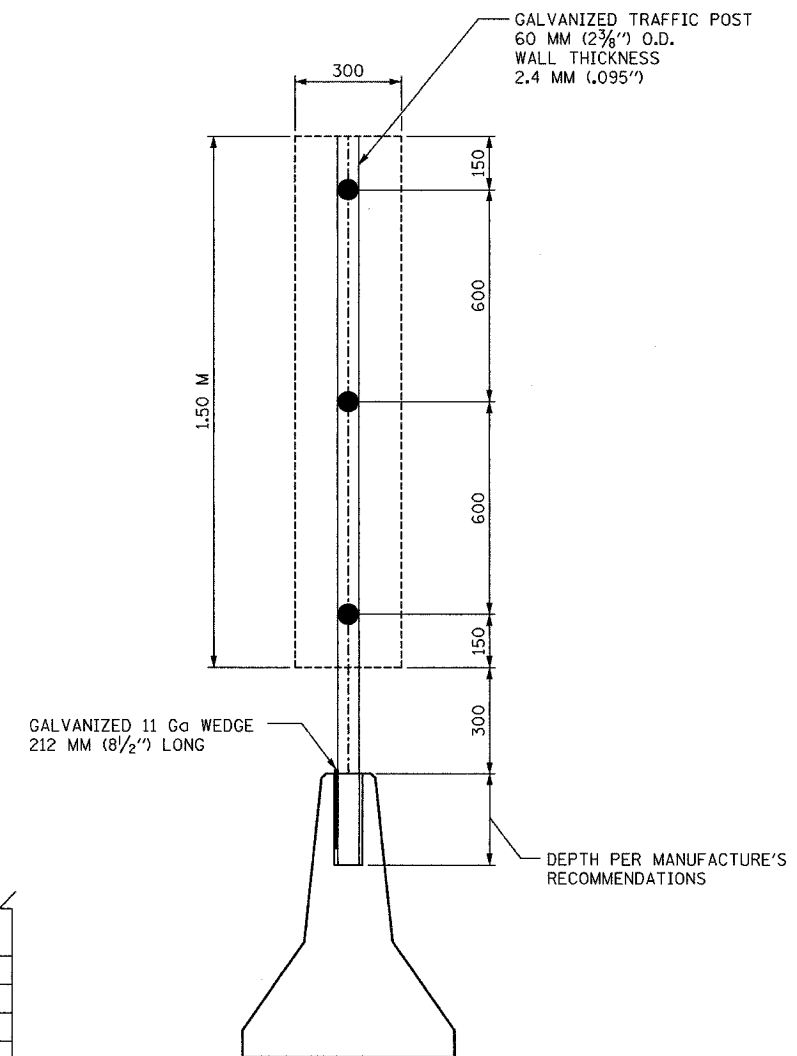
FLUSH MOUNTED SIGN DETAILS - (INDIANA)



ACCESS LOCATION SIGN - (INDIANA)

NOTES:

- HYDRANT LOCATION SIGNS TO BE ENCAPSULATED LENS SHEET SIGNS.
- COPY AND BORDER TO REFLECTIVE SHEET (SILVER WITH REVERSE SCREEN TRANSPARENT RED) ENCAPSULATED LENS.
- BACKGROUND TO BE REFLECTIVE SHEETING (SILVER) ENCAPSULATED LENS.
- LETTERING TO BE 130 MM SERIES C.



SIGN PANEL MOUNTING TO BARRIER WALL DETAIL

FIRE HYDRANT ACCESS SUMMARY

LOCATION	ACCESS TO	SERIES SIGN	FLUSH MOUNTED SIGN	WALL MOUNTED SIGN BRACKETS	TOTAL SHEET SIGN AREA	TYPE A POSTS

SIGN DETAILS

HYDRANT LOCATION SIGN	"STREET"	SIGN AREA	SIGN THICKNESS

ALL DIMENSIONS ARE IN MILLIMETERS UNLESS OTHERWISE NOTED

REVISIONS	
NAME	DATE

ILLINOIS DEPARTMENT OF TRANSPORTATION  
I-80/94/US 6  
KINGERY-BORMAN EXPRESSWAY  
BURNHAM ROAD TO US 41

**FIRE HYDRANT ACCESS PANEL DETAIL  
BARRIER WALL SIGN MOUNTING DETAIL**

SCALE NONE DRAWN BY ACE/CAD  
DATE 07/05 CHECKED BY TAE

**AMERICAN**  
CONSULTING ENGINEERS

... I:\Projects\1500254\_108 08/18/2005 04:32:07 PM