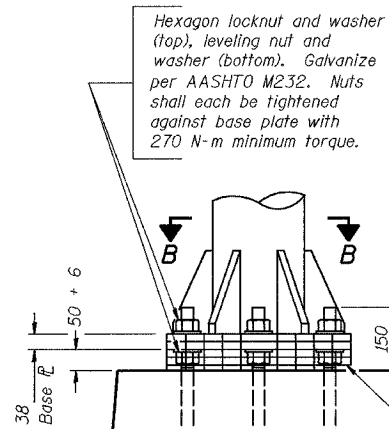


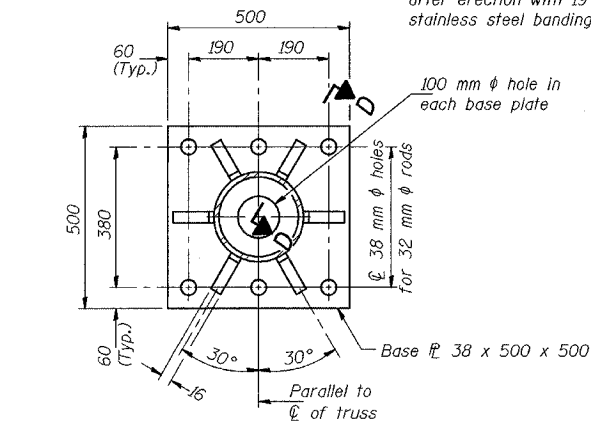
ALL DIMENSIONS IN MILLIMETERS EXCEPT
PAY ITEMS AND UNLESS NOTED OTHERWISE

F.A.I. RTE.	SECTION	COUNTY	TOTAL SHEETS	SHEET NO.
80/94	2626.2-R-2	COOK/LAKE	1207	377
STA.		TO STA.		
FED. ROAD DIST. NO.	ILLINOIS	FED. AID PROJECT		
CONTRACT NO. 62114	INDOT DES. NO. 0100987			

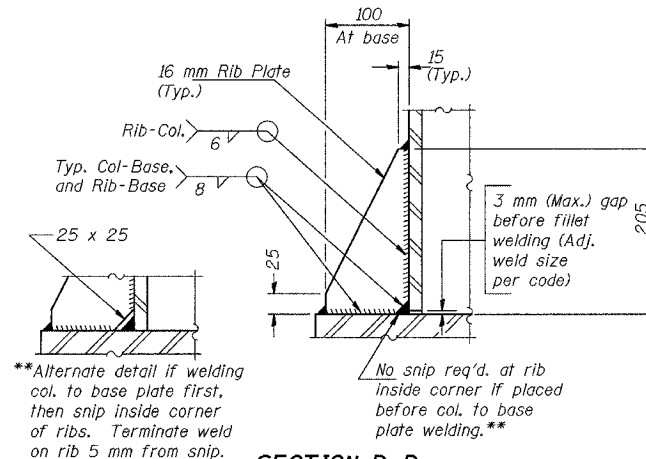


DETAIL B

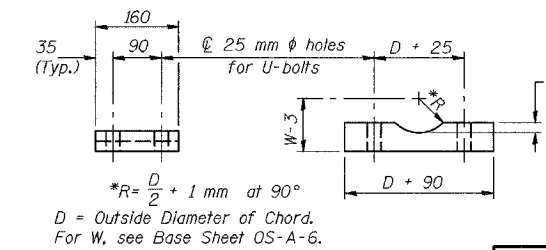
Ribs shall be cut to fit slope of pipe.



SECTION B-B



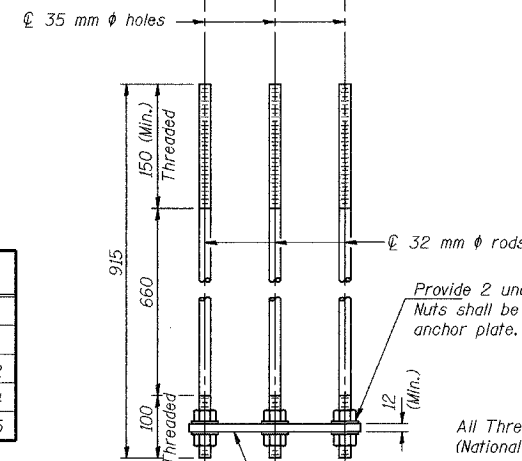
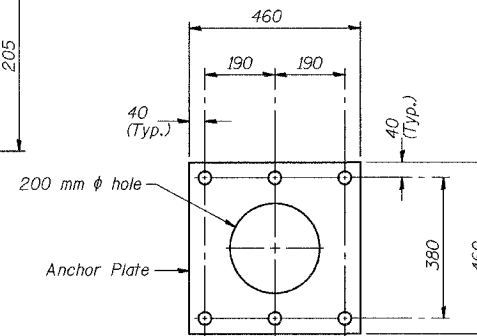
SECTION D-D



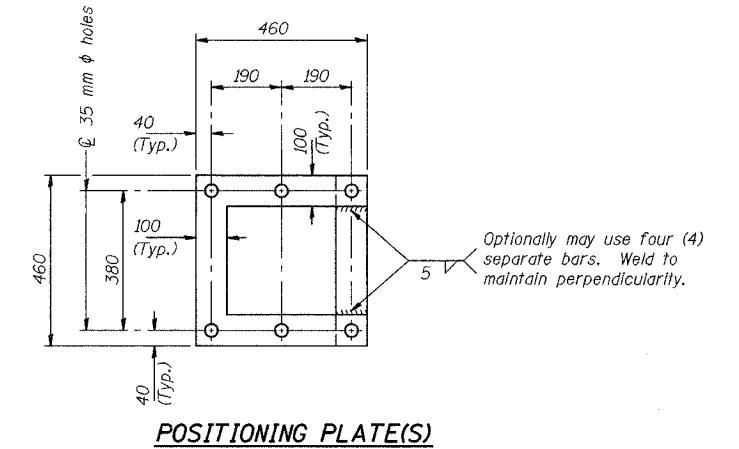
SADDLE SHIM DETAIL

ASTM B26M Alloy 356-F
or
ASTM B209M Alloy 6061-T651
(4 required per sign truss)

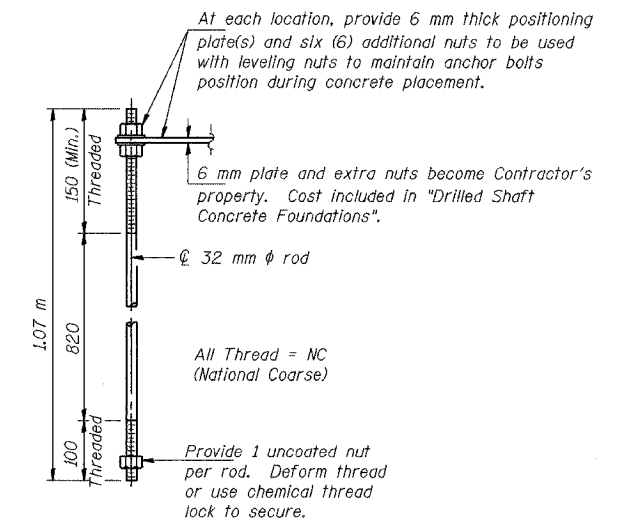
Truss Chord Nominal Dia.	a
127	19
140	21
152	22
165	24
178	25



ANCHOR ROD DETAIL
Spread Footing Foundation



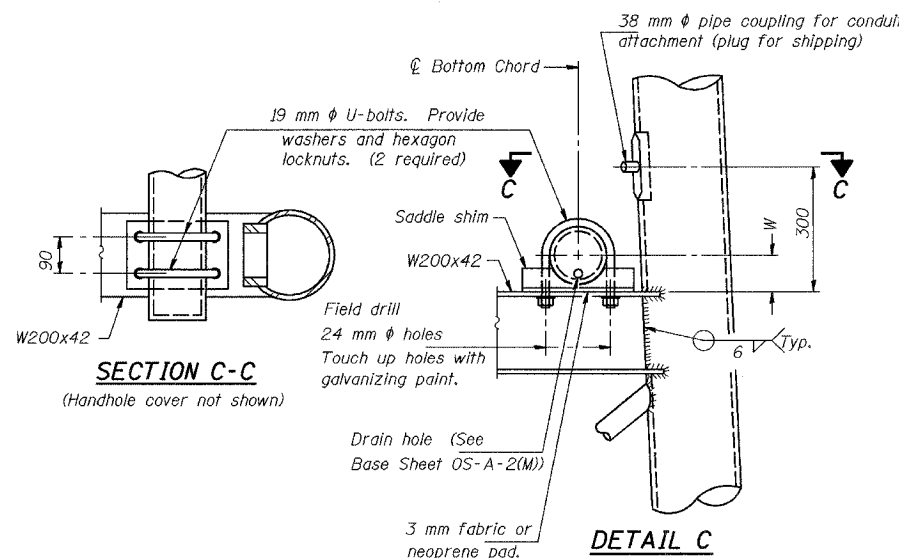
POSITIONING PLATE(S)



ANCHOR ROD DETAIL
Drilled Shaft Foundation

Anchor rods shall conform to AASHTO M314M Grade 250 or 380 (36 or 55) and meet Charpy V-Notch (CVN) energy of 20 J at 5°C. Galvanize upper 305 mm per AASHTO M232. No welding shall be permitted on rods.

DN 250 PIPE SUPPORT FRAME DETAILS



SECTION C-C

(Handhole cover not shown)

DETAIL C

NUMBER	REVISION	DATE

OS-A-6A(M) 11/1/2002

REVISIONS	
NAME	DATE

ILLINOIS DEPARTMENT OF TRANSPORTATION
I-80/94/US 6
KINGERY-BORMAN EXPRESSWAY
BURNHAM ROAD TO US 41
**OVERHEAD SIGN STRUCTURES
SUPPORT FRAME DETAILS ALUMINUM TRUSS**

SCALE NONE DRAWN BY ACE/CAD
DATE 07/05 CHECKED BY TAE

