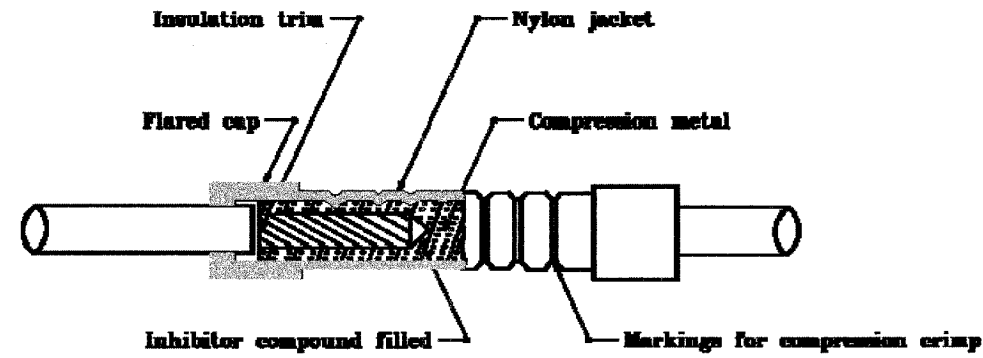


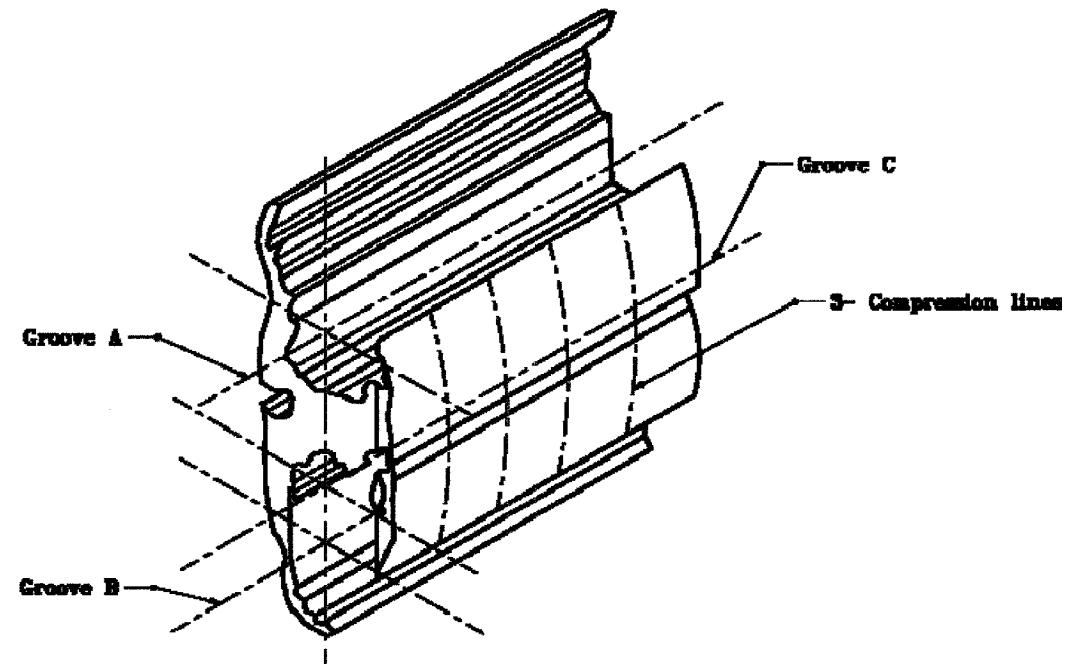
F.A.I. RTE.	SECTION	COUNTY	TOTAL SHEETS	SHEET NO.
80/94	2626.2-R-2	COOK/LAKE	1207	432
STA.		TO STA.		
FED. ROAD DIST. NO.		ILLINOIS FED. AID PROJECT		
CONTRACT NO. 62114		INDOT DES. NO. 0100987		

GENERAL NOTES

1. Oxidation inhibitor shall be liberally applied to all surfaces that mate with a dissimilar material.
2. Grooves A & B to receive 1 #4 Cu. conductor.
3. Groove C to receive 1 #10 conductor.
4. Use of inhibiting compound is mandatory for all connections.
6. Multiple compression fitting shall be covered with snap-on fiber or plastic covers. Taping shall not be permitted.



INSULATING LINK DETAIL



MULTIPLE COMPRESSION FITTING DETAIL

All dimensions are in mm unless otherwise specified.

INDIANA DEPARTMENT OF TRANSPORTATION

SIGN WIRING DETAILS

SEPTEMBER 2001

STANDARD DRAWING NO. 802-SNWR-04



/s/ Anthony L. Brannick 2-01-01
REGISTERED PROFESSIONAL ENGINEER INDEP

/s/ Frank Smith 2-01-01
REGISTERED PROFESSIONAL ENGINEER INDEP