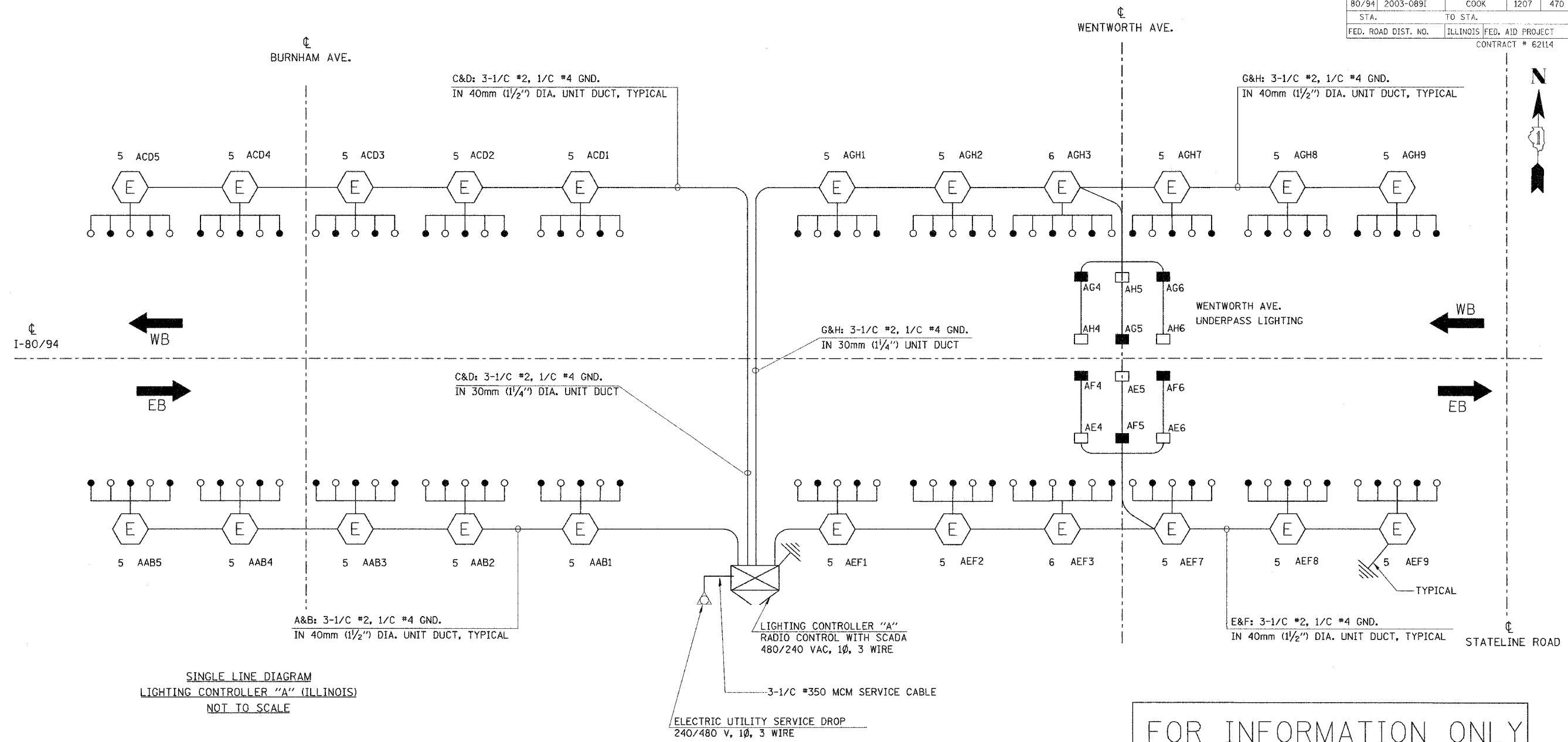


F.A.I. RTE.	SECTION	COUNTY	TOTAL SHEETS	SHEET NO.
80/94	2003-089I	COOK	1207	470
STA.		TO STA.		
FED. ROAD DIST. NO.		ILLINOIS FED. AID PROJECT		
CONTRACT # 62114				



LOAD TABLE LIGHTING CONTROLLER "A" (ILLINOIS)					
CIRCUIT	RED PHASE		CIRCUIT	BLACK PHASE	
	AMPS	WATTS		AMPS	WATTS
A	24.0	5760	B	26.0	6240
C	26.0	6240	D	24.0	5760
E	33.2	7968	F	31.2	7488
G	31.2	7488	H	33.2	7968
<b>TOTAL</b>	<b>114.4</b>	<b>27456</b>	<b>TOTAL</b>	<b>114.4</b>	<b>27456</b>

**LEGEND**

- HIGH MAST LIGHTING TOWER
  - 400W. HPS LUMINAIRE (BLACK PHASE-SOLID SYMBOL, RED PHASE-OPEN SYMBOL)
  - TOWER TYPE
  - HIGH MAST LIGHTING TOWER DESIGNATION
  - UNDERPASS LIGHTING UNIT, 70WATT HPS LUMINAIRE, (BLACK PHASE-SOLID SYMBOL, RED PHASE-OPEN SYMBOL)
  - LIGHTED SIGN STRUCTURE WITH 170WATT FLUORESCENT LUMINAIRE, QUANTITY OF LUMINAIRE AS REQUIRED, (BLACK PHASE-SOLID SYMBOL, RED PHASE-OPEN SYMBOL)
  - LIGHTING CONTROLLER
  - GROUND FIELD
  - ELECTRIC UTILITY SERVICE
- | TYPE | TOWER HEIGHT   |
|------|----------------|
| 1    | 30.0m (100ft.) |
| 2    | 33.5m (110ft.) |
| 3    | 36.5m (120ft.) |
| 4    | 40.0m (130ft.) |
| 5    | 42.5m (140ft.) |
| 6    | 45.5m (150ft.) |

FOR INFORMATION ONLY

REVISIONS	
NAME	DATE

**AW18-01**

**ILLINOIS DEPARTMENT OF TRANSPORTATION**  
I-80/94/US 6  
KINCERY-BORMAN EXPRESSWAY  
BURNHAM ROAD TO US 41  
SINGLE LINE DIAGRAM  
LIGHTING CONTROLLER "A"  
(ILLINOIS)  
PROPOSED ROADWAY LIGHTING  
SCALE NONE DRAWN BY EAO/BC  
DATE 07/18/05 CHECKED BY PKG/BC

GANDHI AND ASSOCIATES, INC.  
ENGINEERS AND PLANNERS  
505 N. KENTWORTH HIGHWAY  
SUITE 306  
CHICAGO, ILLINOIS 60648 TEL: 312/714-5900

4/23/04  
10/21/04  
1/23/05