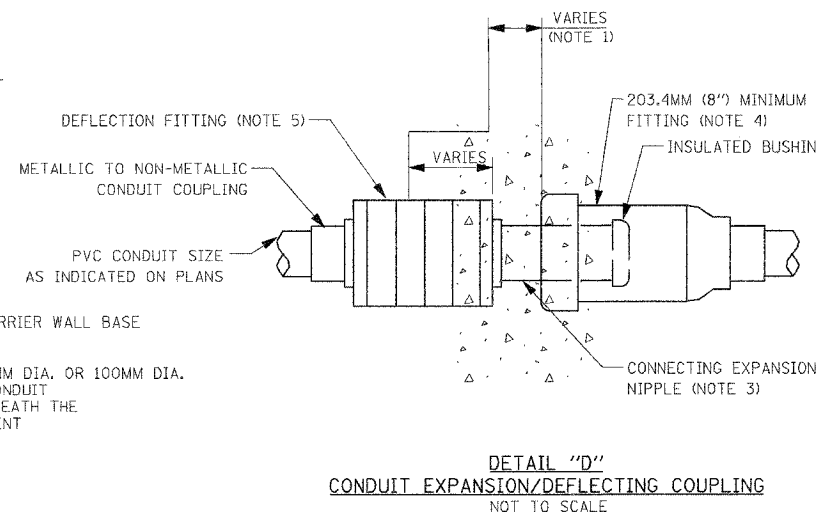
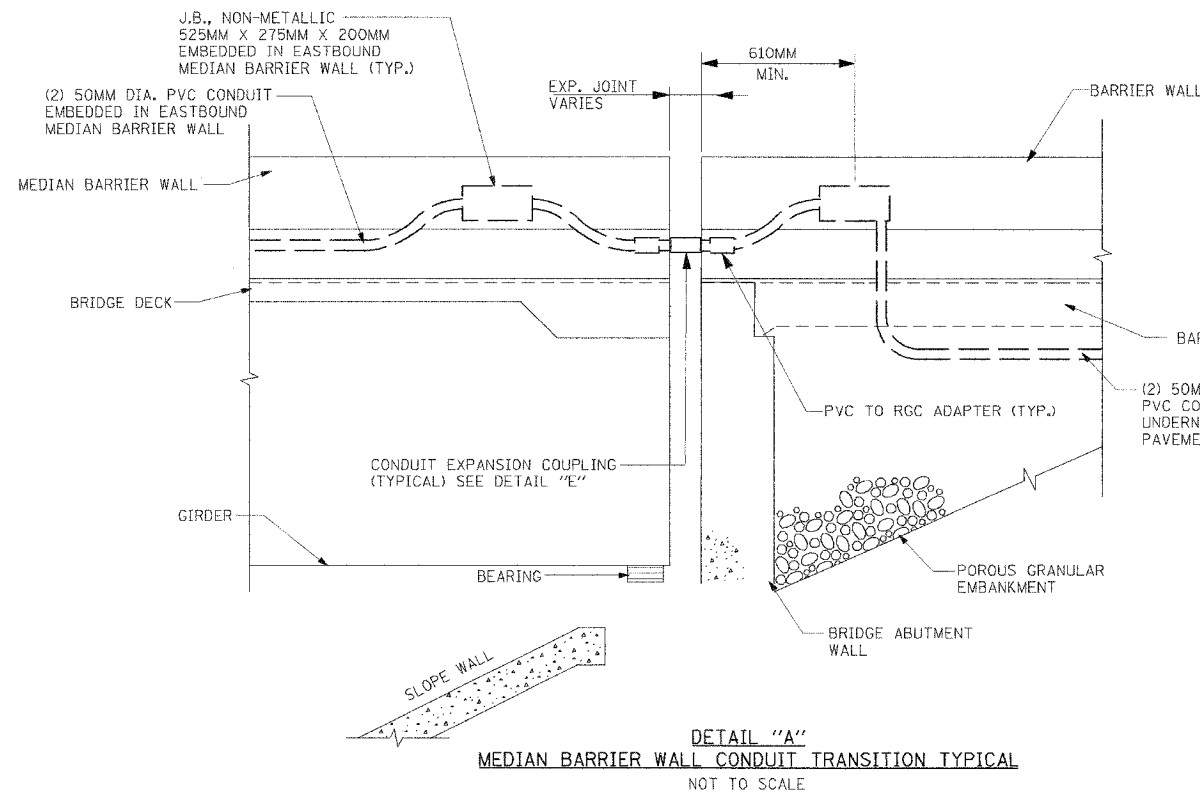
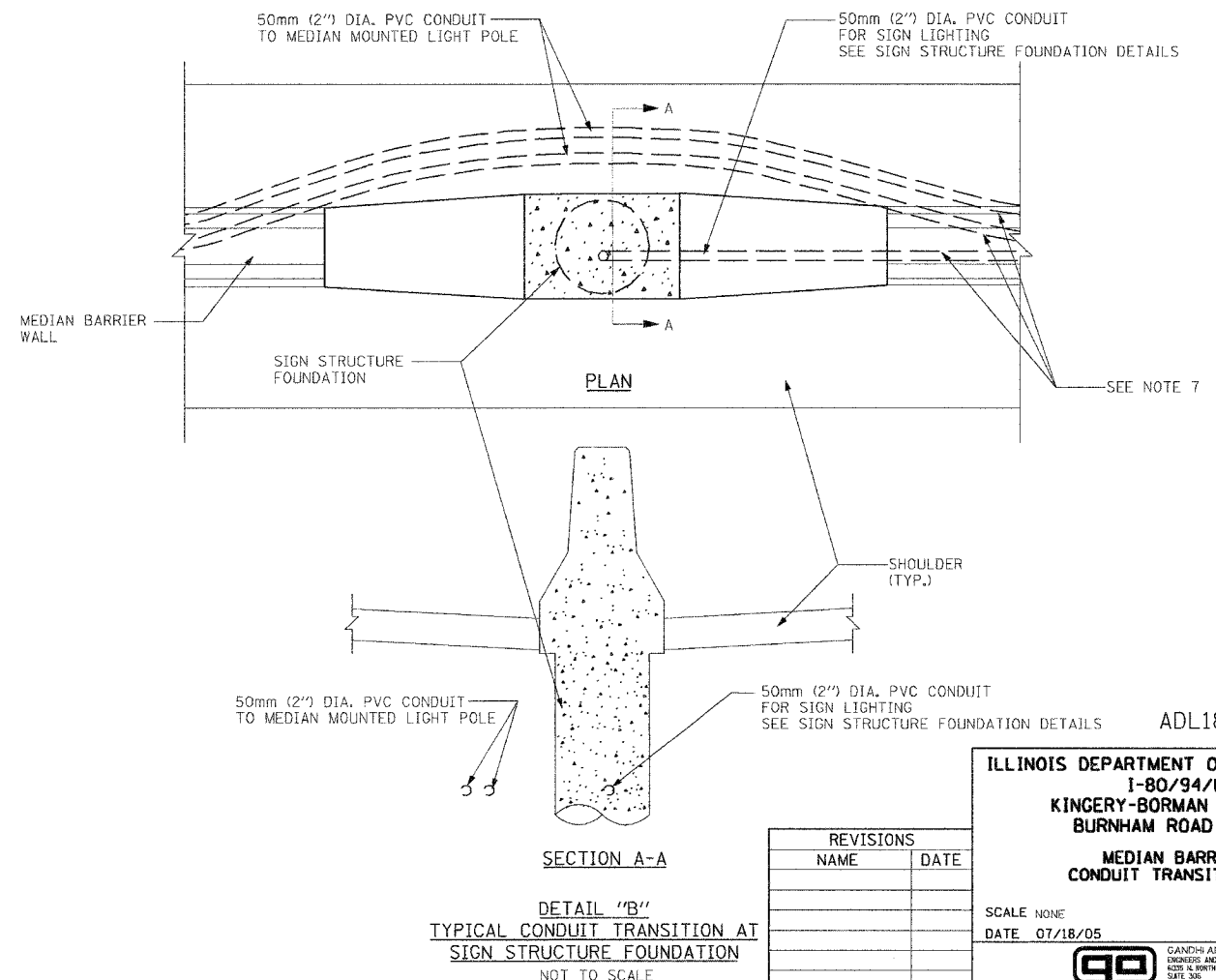
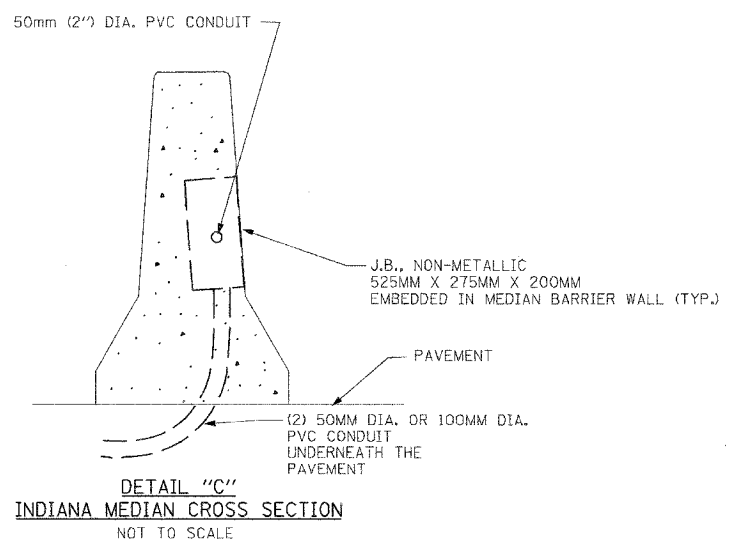


|                     |           |                  |                  |           |
|---------------------|-----------|------------------|------------------|-----------|
| F.A.I. RTE.         | SECTION   | COUNTY           | TOTAL SHEETS     | SHEET NO. |
| 80/94               | 2003-089I | COOK             | 1207             | 472       |
| STA.                |           | TO STA.          |                  |           |
| FED. ROAD DIST. NO. | ILLINOIS  | FED. AID PROJECT | CONTRACT # 62114 |           |



- NOTES:
- REFER TO STRUCTURAL DRAWINGS FOR EACH EXPANSION JOINT LOCATION AND EACH EXPANSION JOINT WIDTH.
  - SEE STRUCTURAL DRAWINGS FOR DETAILS. THE INSERTS FOR CONDUITS SHALL BE SPACED AT 1.5M ON CENTER AND 610MM FROM THE JUNCTION BOX.
  - PROVIDE REQUIRED LENGTH OF CONNECTING EXPANSION NIPPLE. REFER TO STRUCTURAL DRAWINGS FOR THE EXPANSION JOINT CHARACTERISTICS.
  - THE BARREL OF THE FITTING SHALL BE FULLY EMBEDDED IN THE CONCRETE OF ONE SIDE OF THE EXPANSION JOINT.
  - A CAVITY OPENING, IF REQUIRED, SHALL BE 76.2MM LARGER IN DIAMETER AND A MAXIMUM DEPTH OF HALF OF THE DEFLECTION SLEEVE LENGTH. THE DEFLECTION FITTING SHALL BE CENTERED IN THE OPENING AND EMBEDDED IN THE CONCRETE ONLY UP TO THE DEFLECTION FITTING CENTER.
  - PVC TO RGC ADAPTER IS INCIDENTAL TO THE COST OF RGC CONDUIT. NO SEPARATE PAYMENT WILL BE MADE.
  - 50mm (2") DIA. PVC CONDUIT SHALL BE PLACED UNDERNEATH THE MEDIAN BARRIER WALL AND ABOVE ANY DRAINAGE PIPES.



| REVISIONS |      |
|-----------|------|
| NAME      | DATE |
|           |      |
|           |      |
|           |      |
|           |      |
|           |      |

ILLINOIS DEPARTMENT OF TRANSPORTATION  
 I-80/94/US 6  
 KINGERY-BORMAN EXPRESSWAY  
 BURNHAM ROAD TO US 41  
**MEDIAN BARRIER WALL  
 CONDUIT TRANSITION DETAILS**  
 SCALE NONE  
 DATE 07/18/05  
 DRAWN BY EAO/BC  
 CHECKED BY PKG/BC  
 GANDHI AND ASSOCIATES, INC.  
 ENGINEERS AND PLANNERS  
 4335 N. WESTWIND HIGHWAY  
 SUITE 306  
 CHICAGO, ILLINOIS 60630 TEL: (773) 714-9910

#P3.04  
 #DATE#  
 #TIME#