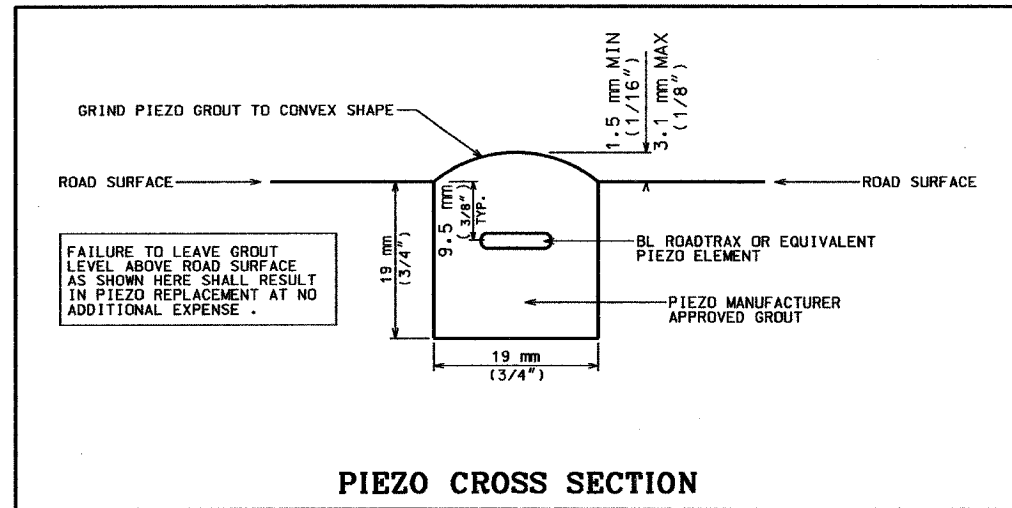
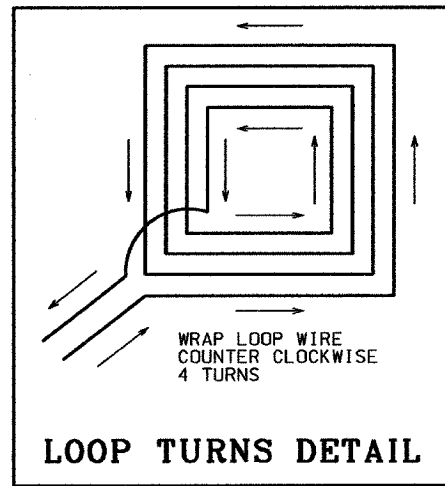


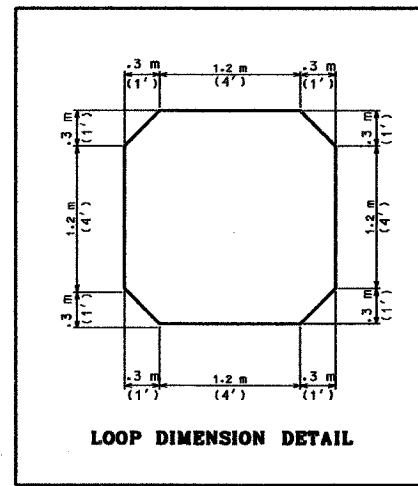
F.A.I. SHEETS NO.	SECTION	COUNTY	TOTAL SHEETS	SHEET NO.
80/94	2626.2-R-1	COOK	1207	496
STA.	TO STA.			
FED. ROAD DIST. NO.	ILLINOIS	FED. AID PROJECT		
CONTRACT NO. 62114				



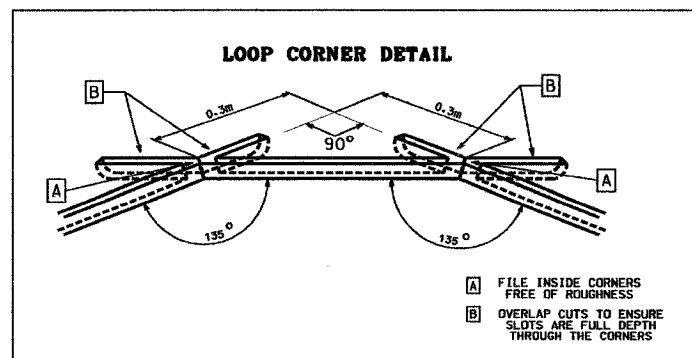
**PIEZO CROSS SECTION**



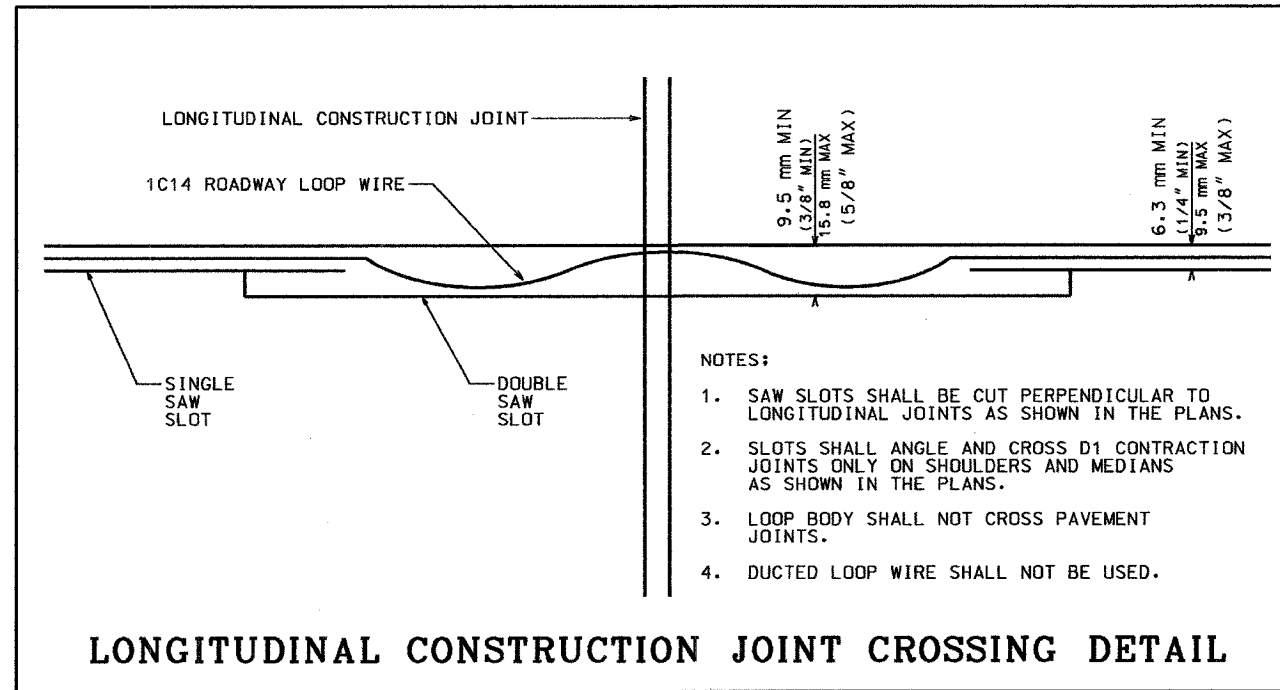
**LOOP TURNS DETAIL**



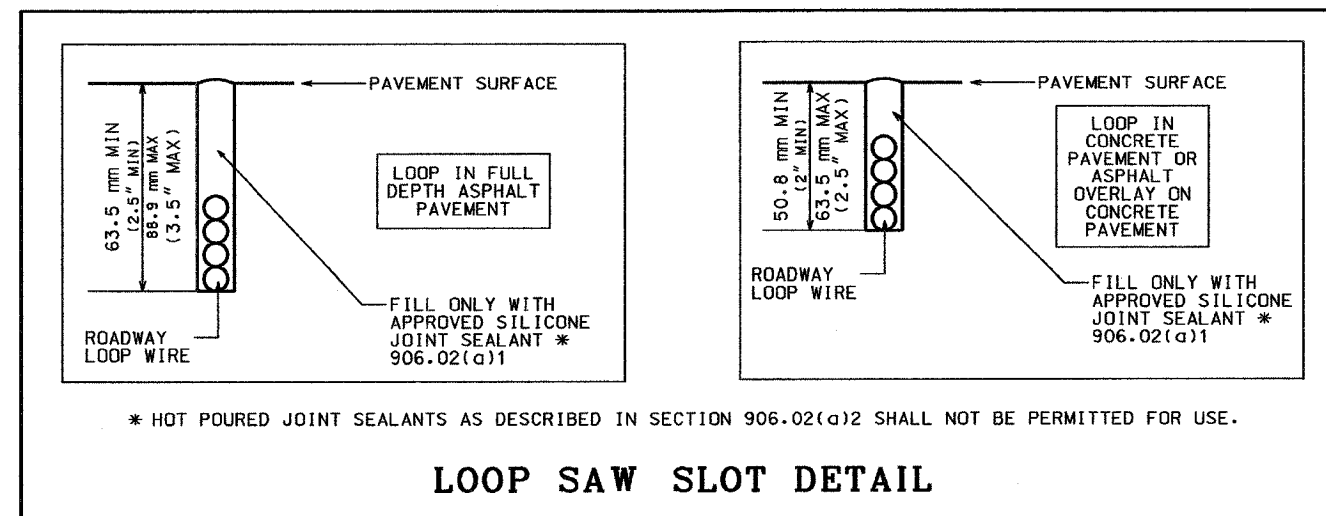
**LOOP DIMENSION DETAIL**



**LOOP CORNER DETAIL**



**LONGITUDINAL CONSTRUCTION JOINT CROSSING DETAIL**



**LOOP SAW SLOT DETAIL**


REVISIONS	
DATE	DESCRIPTION



RECOMMENDED FOR APPROVAL	<i>Scott MacArthur</i>	6-9-05	DATE
DESIGNED:	DRK	DRAWN:	DRK
CHECKED:	DRK	CHECKED:	DRK

**INDIANA DEPARTMENT OF TRANSPORTATION**

**DETAIL SHEET 1**

I-80/94/US 6 KINGERY-BORMAN EXPRESSWAY BURNHAM ROAD TO US 41	
HORIZONTAL SCALE	WIM STATION DETAILS
Not To Scale	
VERTICAL SCALE	
Not To Scale	