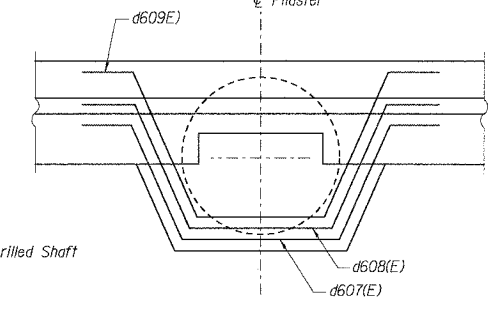
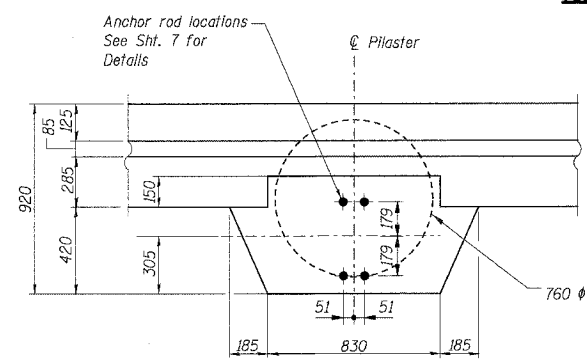
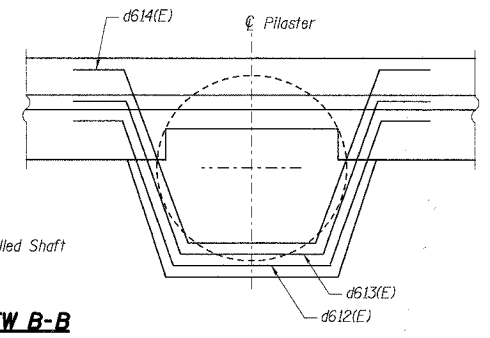
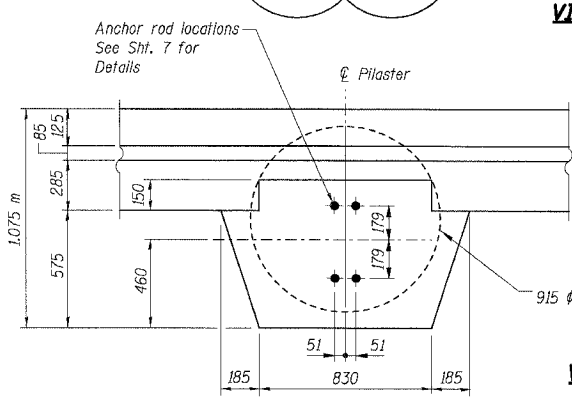
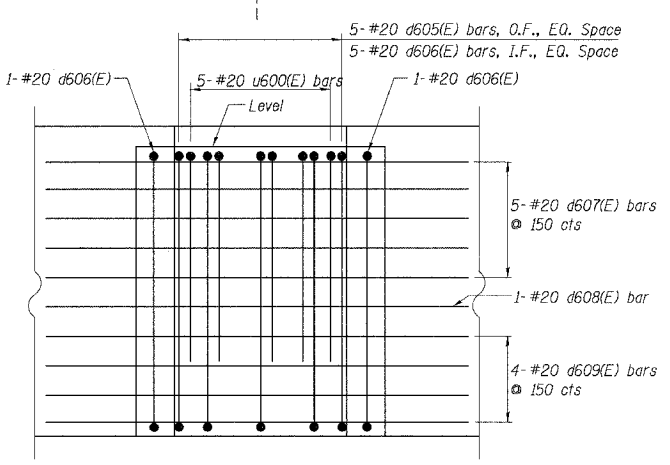
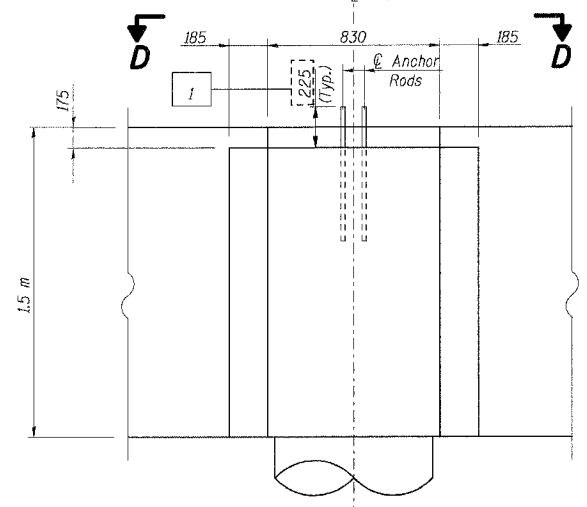
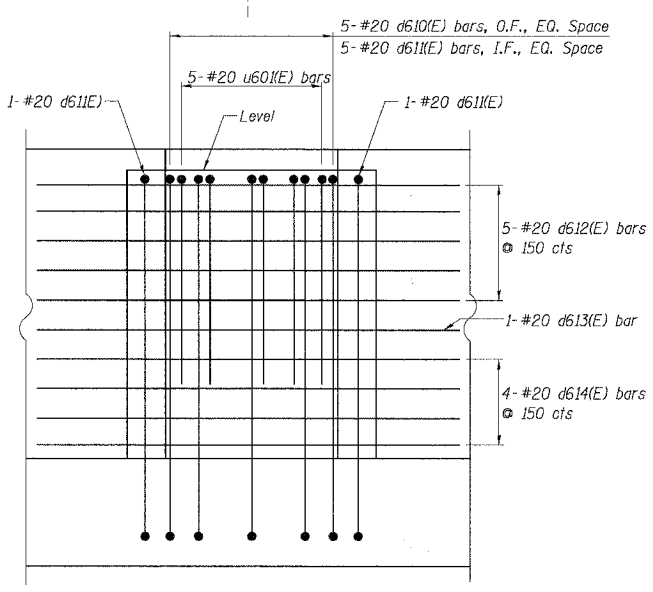
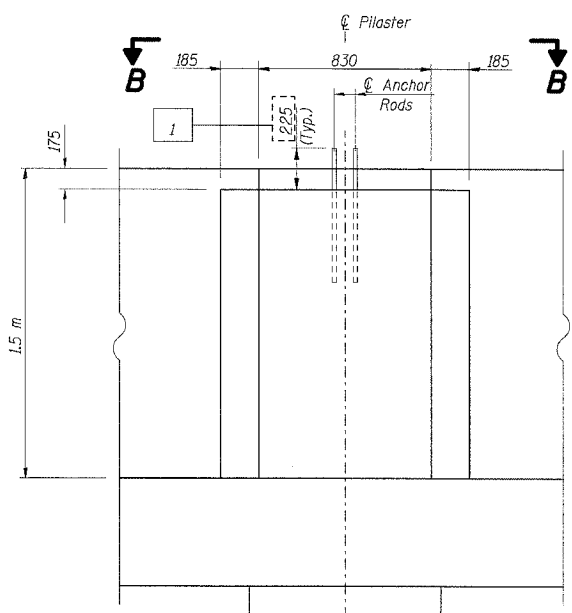
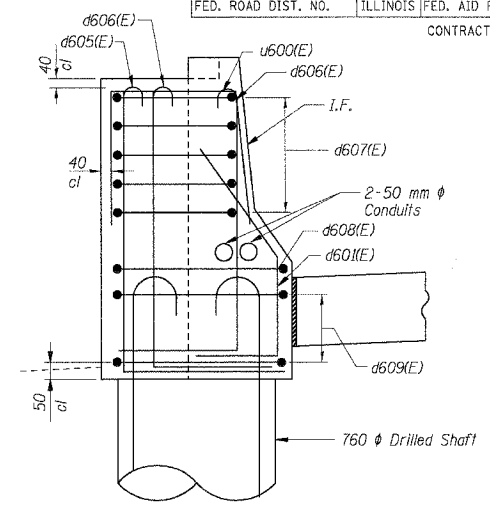
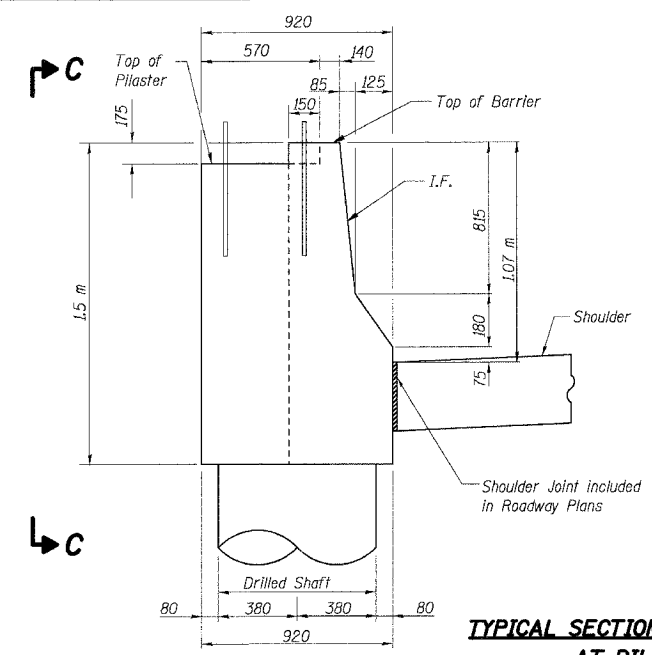
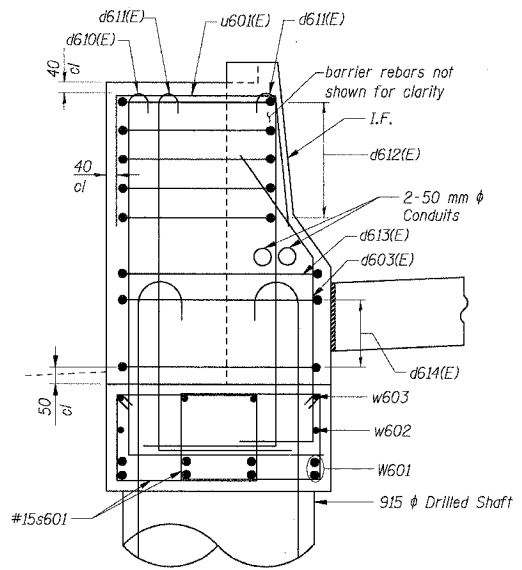
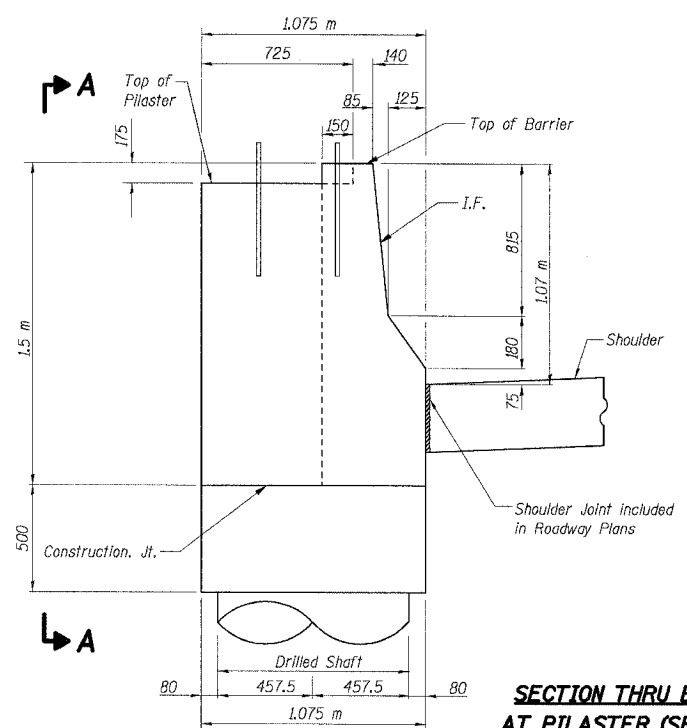


F.A.I. RTE.	SECTION	COUNTY	TOTAL SHEETS	SHEET NO.
80/94	2626.2-R-2	COOK	1207	530
STA.	TO STA.			
FED. ROAD DIST. NO.	ILLINOIS	FED. AID PROJECT		
CONTRACT NO. 62114				



THIS SHEET FOR INFORMATION ONLY

Note: 1. For notes and rebar details, see Sht. 7.

SHT. 6 OF 9	
REVISIONS	
NAME	DATE
NK	06/09/04

ILLINOIS DEPARTMENT OF TRANSPORTATION
 F.A.I. ROUTE 80/94 (KINGERY EXPRESSWAY)
 IL ROUTE 83 RECONSTRUCTION
 COOK COUNTY

TRAFFIC BARRIER AT NOISEWALL SECTIONS & DETAILS - 1

SCALE: DATE: 02/20/2004

DRAWN BY: NK
 CHECKED BY: VCP

TENG
 ENGINEERS/ARCHITECTS/PLANNERS
 CHICAGO, ILLINOIS

7-1-2005, 03:38:52 T:\DOCUMENTS\B91750\STRUCT\DRM\RSB3\BZADON BAJZEKJ
 1 2 3 4 5 6 7 8 9 10 11 12 13 14 15 16 17 18 19 20 21 22 23 24 25 26 27 28 29 30 31 32 33 34 35 36 37 38 39 40 41 42 43 44 45 46 47 48 49 50 51 52 53 54 55 56 57 58 59 60 61 62 63