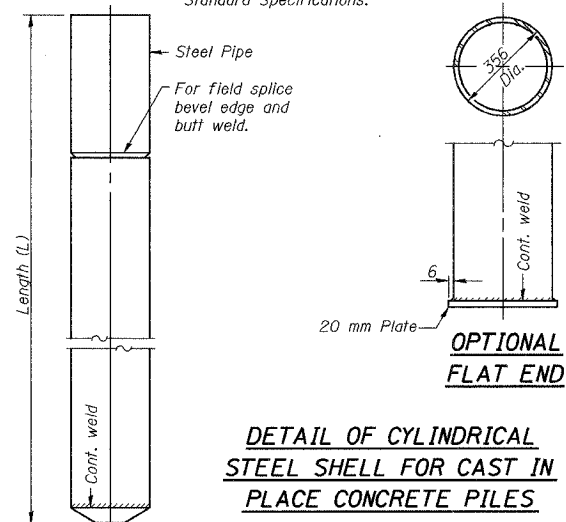
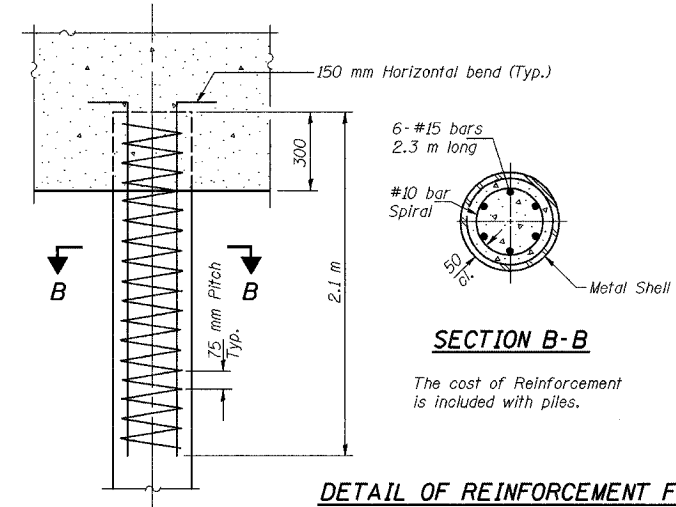


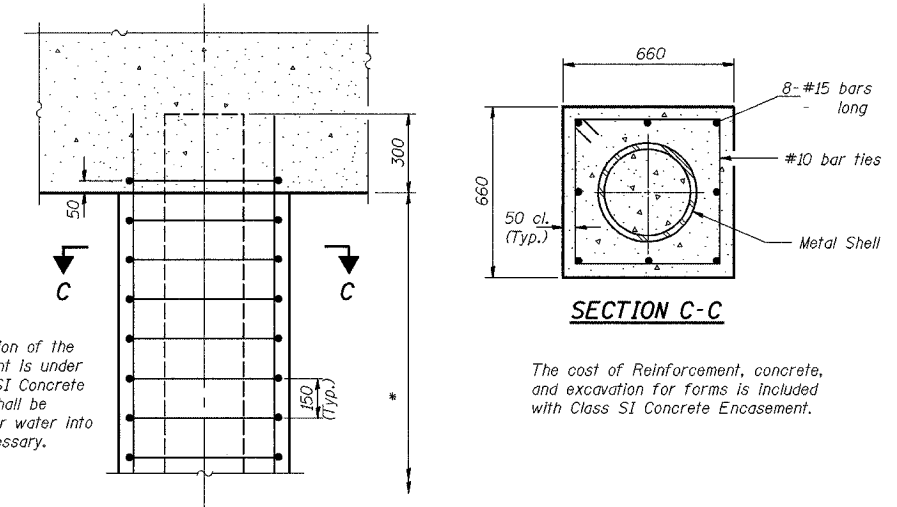
Notes: Driving and bearing ends of pipe shall be cut square. The thickness of the shell shall be 6.35 mm with a tolerance of 5%. The shell shall be according to Article 1006.05(a) of the Standard Specifications.



**DETAIL OF CYLINDRICAL STEEL SHELL FOR CAST IN PLACE CONCRETE PILES**



**DETAIL OF REINFORCEMENT FOR METAL SHELLS AT ABUTMENTS**



**DETAIL OF PROTECTION FOR METAL SHELLS AT PIERS**

\* If a portion of the pile encasement is under water, Class SI Concrete Encasement shall be tremmed under water into forms as necessary.

The cost of Reinforcement is included with piles.

The cost of Reinforcement, concrete, and excavation for forms is included with Class SI Concrete Encasement.

DESIGNED	BHS
CHECKED	KFA
DRAWN	MJB
CHECKED	GSP

X-PB (M) 10-31-02 (All dimensions are in millimeters (mm) except as noted.)

ILLINOIS DEPARTMENT OF TRANSPORTATION  
F.A.I. ROUTE 80/94 (BORMAN EXPRESSWAY)  
OVER LITTLE CALUMET RIVER & N.I.C.T.D. R.O.W.

**CONCRETE PILE DETAILS**  
**SECTION 2626.2-R-1**  
**LAKE COUNTY, INDIANA**  
**STATION 8+470.000**  
**STRUCTURE NO. 1-80-1-8460 (EB & WB)**  
DATE 07/05 (016-1003 & 016-1004)

**AMERICAN**  
CONSULTING ENGINEERS