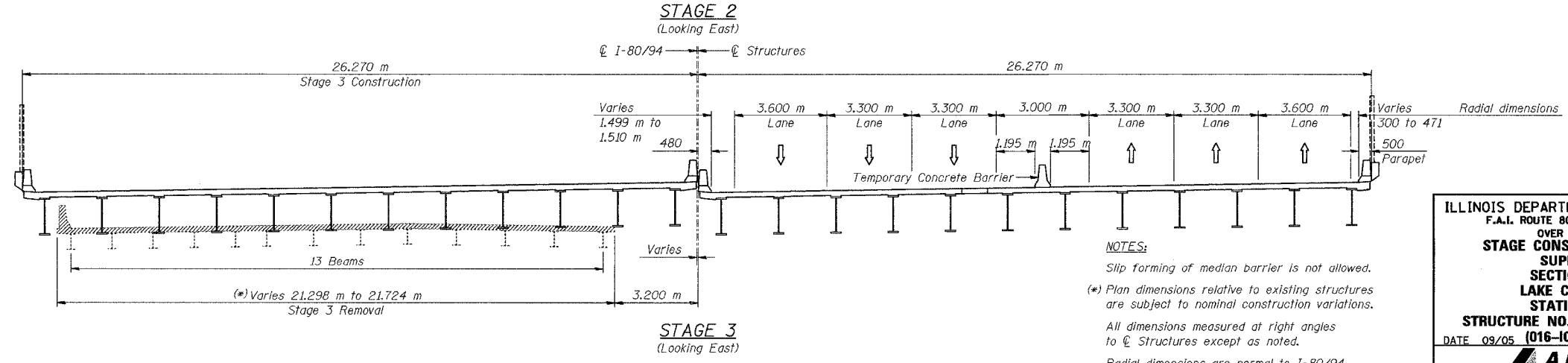
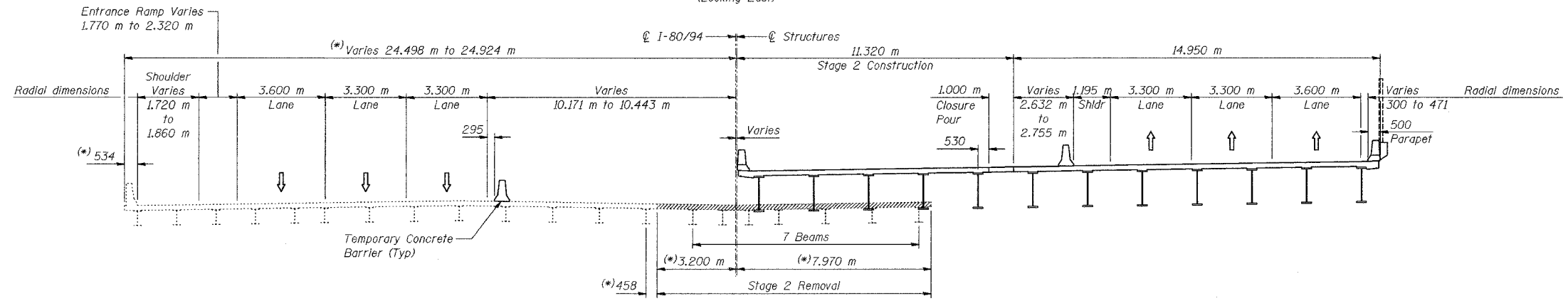
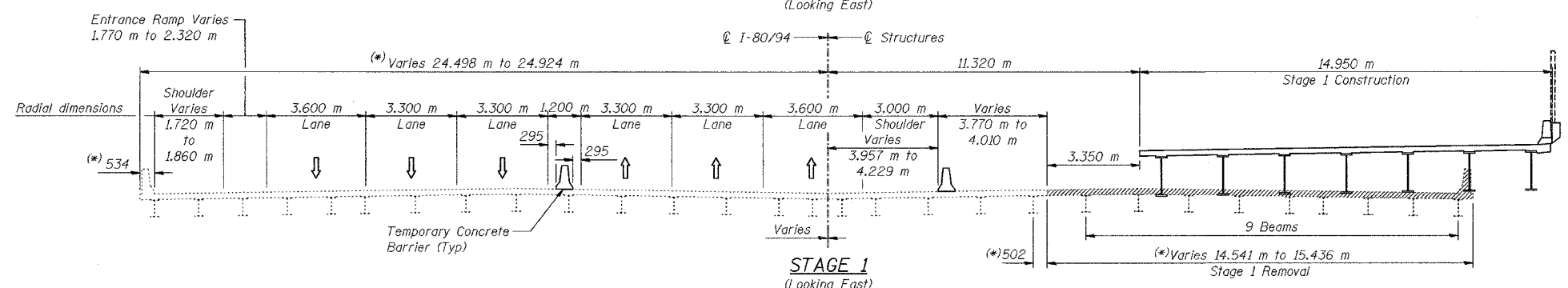
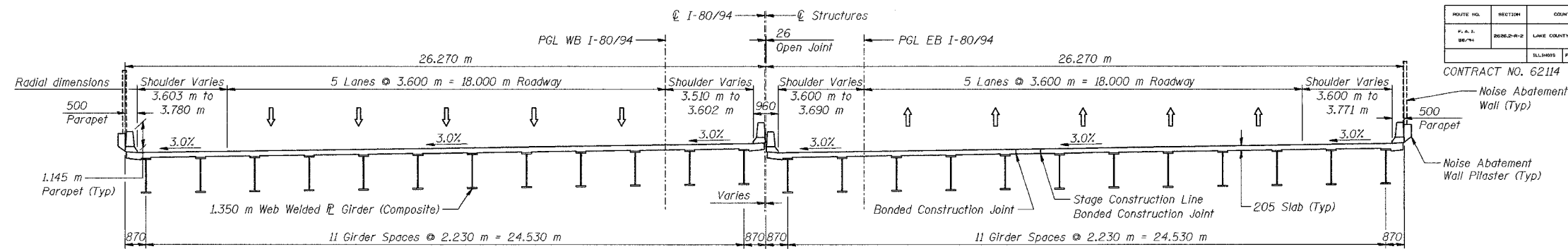


ROUTE NO.	SECTION	COUNTY	SHEET NO.	SHEET TOTAL
F.A.L. 80/94	2626.2-R-2	LAKE COUNTY, INDIANA	1207	695
ILLINOIS FEDERAL PROJECT				

SHEET NO. S-4
28 SHEETS

CONTRACT NO. 62114 INDOT DES. NO. 0100987



DESIGNED	BHS
CHECKED	KFA
DRAWN	MJB
CHECKED	GSP

NOTES:

Slip forming of median barrier is not allowed.

(*) Plan dimensions relative to existing structures are subject to nominal construction variations.

All dimensions measured at right angles to $\text{\textcircled{C}}$ Structures except as noted.

Radial dimensions are normal to I-80/94.

ILLINOIS DEPARTMENT OF TRANSPORTATION
F.A.L. ROUTE 80/94 (BORMAN EXPRESSWAY)
OVER HARRISON AVENUE
STAGE CONSTRUCTION DETAILS - SUPERSTRUCTURE
SECTION 2626.2-R-2
LAKE COUNTY, INDIANA
STATION 8+754.874
STRUCTURE NO. I-80-1-8461 (EB & WB)
DATE 09/05 (016-1005 & 016-1006)

AMERICAN
CONSULTING ENGINEERS