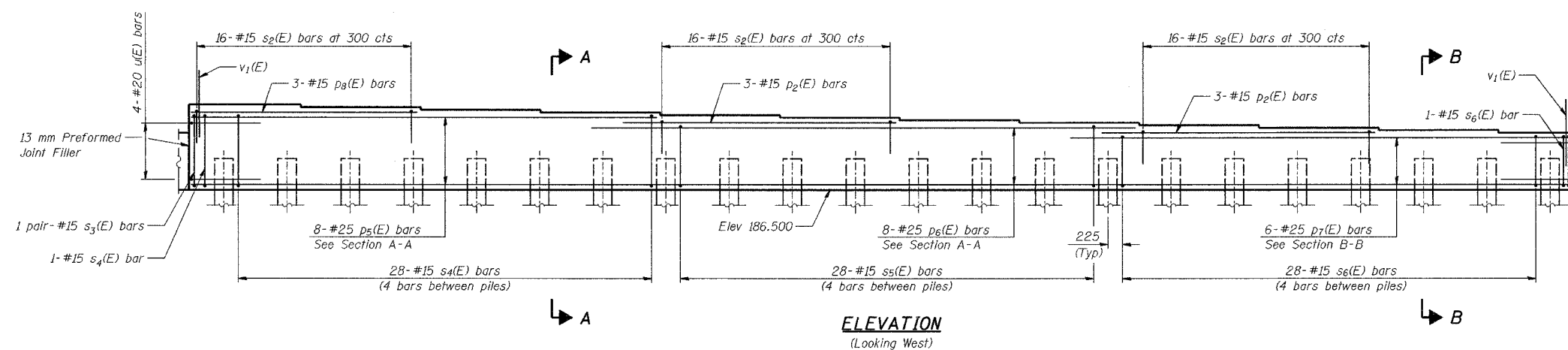
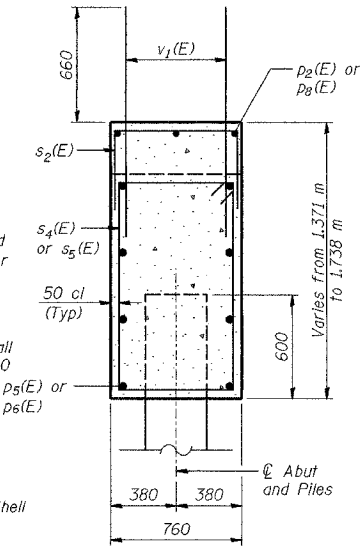


ROUTE NO.	SECTION	COUNTY	DATE	SHEET	SHEET NO. S-19
F.A.L. 80/94	2626.2-R-2	LAKE COUNTY, INDIANA	1207	710	28 SHEETS
SHEET NO.		CONTRACT NO. 62114 INDOT DES. NO. 0100987			

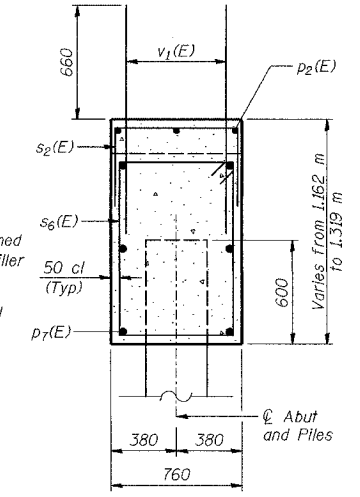
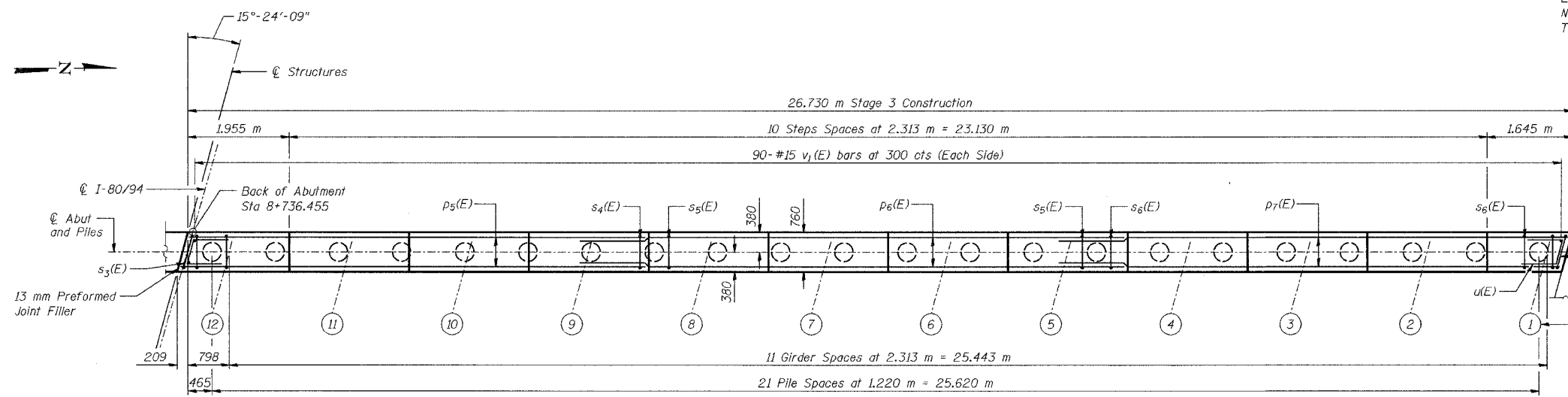


ELEVATION
(Looking West)



SECTION A-A

PILE DATA
 Type - 356 φ Metal Shell
 Capacity - 500 kN
 Est Length - 18.0 m
 *Est Length - 20.0 m
 No Reqd - 22
 Test Piles - 0

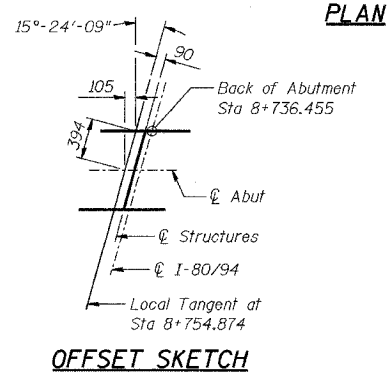


SECTION B-B

BEARING SEAT ELEVATIONS

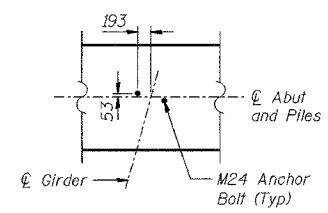
Girder	℄ Brg W Abut
1	187.662
2	187.715
3	187.767
4	187.819
5	187.871
6	187.924
7	187.976
8	188.028
9	188.081
10	188.133
11	188.185
12	188.238

DESIGNED	BHS
CHECKED	KFA
DRAWN	MJB
CHECKED	GSP



OFFSET SKETCH

MINIMUM BAR LAPS
 #15 bars = 640
 #20 bars = 790
 #25 bars = 1320



ANCHOR BOLT LAYOUT

NOTES:
 See Sheet No S-22 for reinforcement details and Bill of Material.
 See Sheet No S-24 for concrete pile details.
 Space reinforcement in cap to miss anchor bolts.
 Pour steps monolithically with cap.
 Reinforcement bars designated (E) shall be epoxy coated.
 Bars indicated thus 20 x 3-#15 etc. indicates 20 lines of bars with 3 lengths per line.
 All dimensions are in millimeters (mm) except as noted.
 All edges shall have standard 20 mm chamfers except as noted.
 Cost of 13 mm Preformed Joint Filler included with Concrete, A, Substructure.
 *For the 3 northernmost piles, which are outside the Limits of Existing Structure.

ILLINOIS DEPARTMENT OF TRANSPORTATION
 F.A.L. ROUTE 80/94 (BORMAN EXPRESSWAY)
 OVER HARRISON AVENUE

WEST ABUTMENT - WESTBOUND
SECTION 2626.2-R-2
LAKE COUNTY, INDIANA
STATION 8+754.874
STRUCTURE NO. I-80-1-8461 (EB & WB)
 DATE 09/05 (016-1005 & 016-1006)

AMERICAN
 CONSULTING ENGINEERS