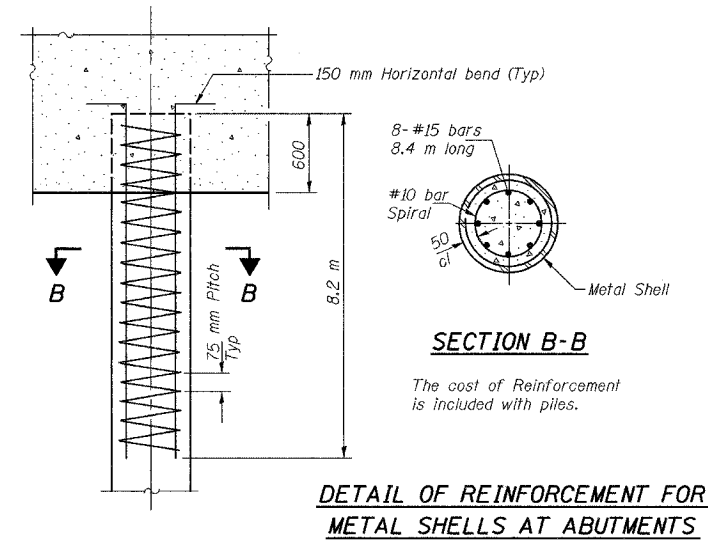
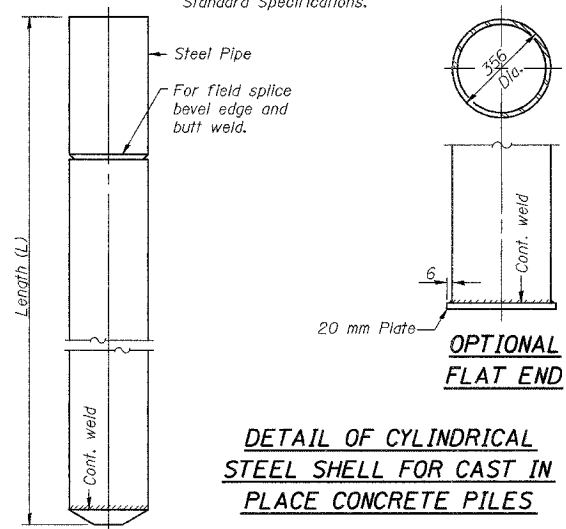


Notes: Driving and bearing ends of pipe shall be cut square. The thickness of the shell shall be 6.35 mm with a tolerance of 5%. The shell shall be according to Article 1006.05(a) of the Standard Specifications.



DESIGNED	BHS
CHECKED	KFA
DRAWN	MJB
CHECKED	GSP

X-PB (M) 10-31-02 (All dimensions are in millimeters (mm) except as noted.)

ILLINOIS DEPARTMENT OF TRANSPORTATION
 F.A.L. ROUTE 80/94 (BORMAN EXPRESSWAY)
 OVER HARRISON AVENUE

CONCRETE PILE DETAILS
 SECTION 2626.2-R-2
 LAKE COUNTY, INDIANA
 STATION 8+754.874
 STRUCTURE NO. I-80-1-8461 (EB & WB)
 DATE 09/05 (016-1005 & 016-1006)

AMERICAN
 CONSULTING ENGINEERS