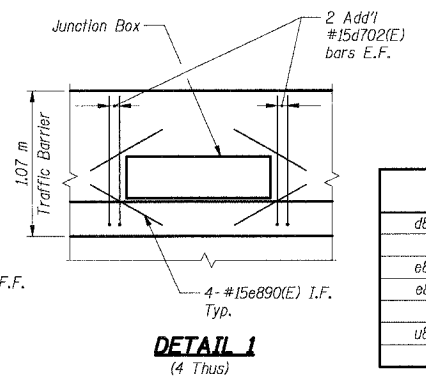
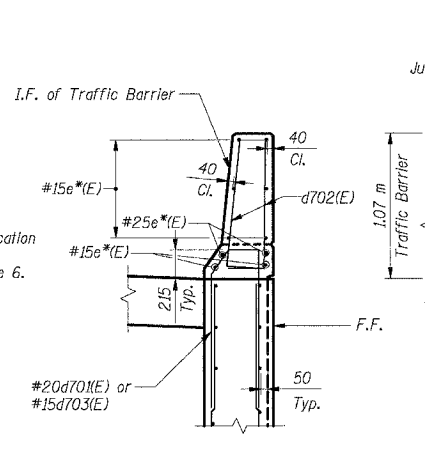
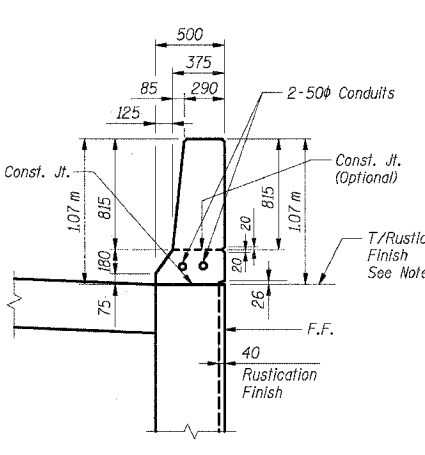
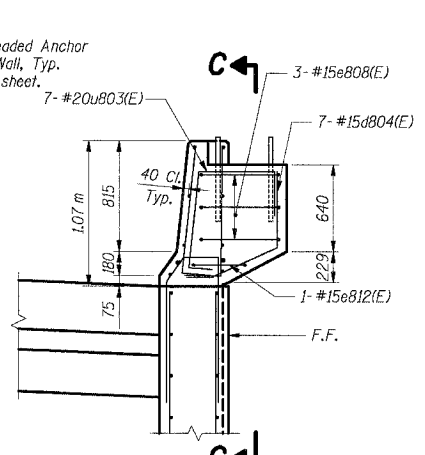
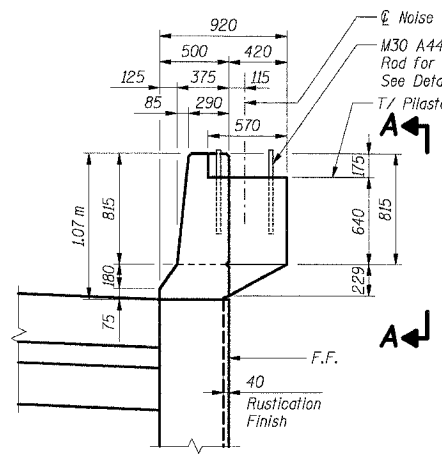


F.A.I. RTE.	SECTION	COUNTY	TOTAL SHEETS	SHEET NO.
80/94	2626.2-R-2	COOK	1207	776
STA.	TO STA.			
FED. ROAD DIST. NO.	ILLINOIS FED. AID PROJECT		CONTRACT NO. 62114	

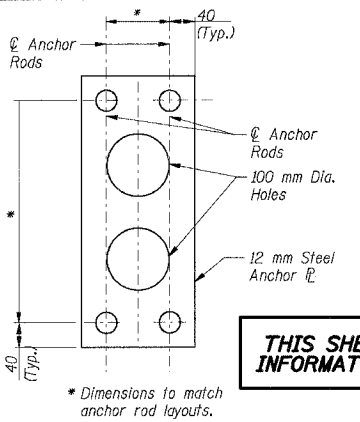
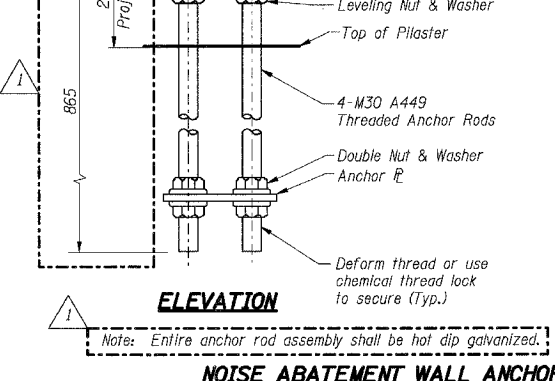
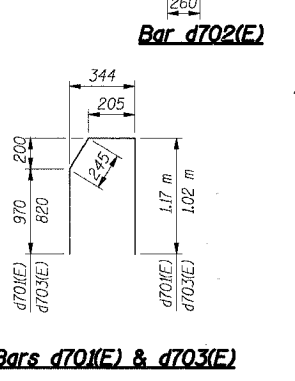
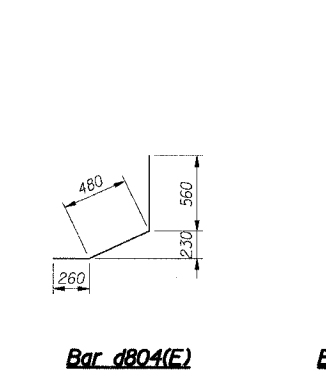
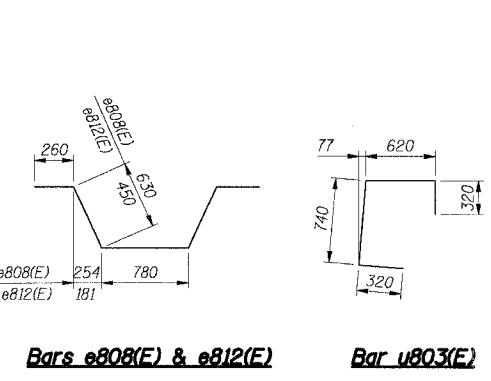
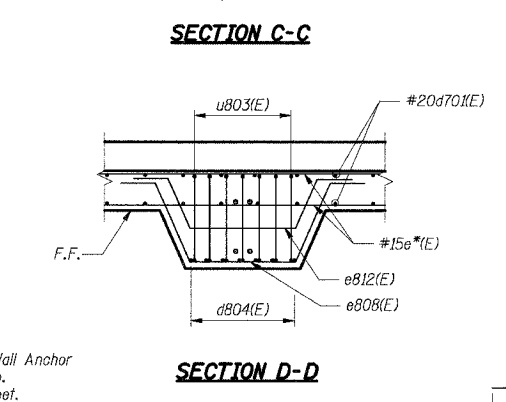
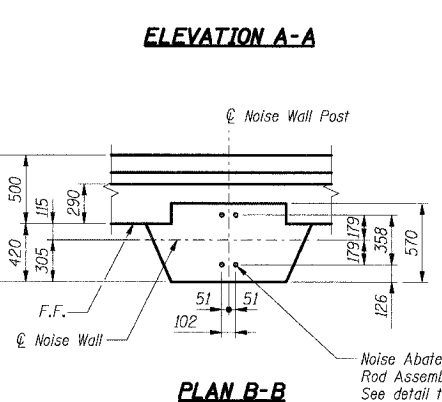
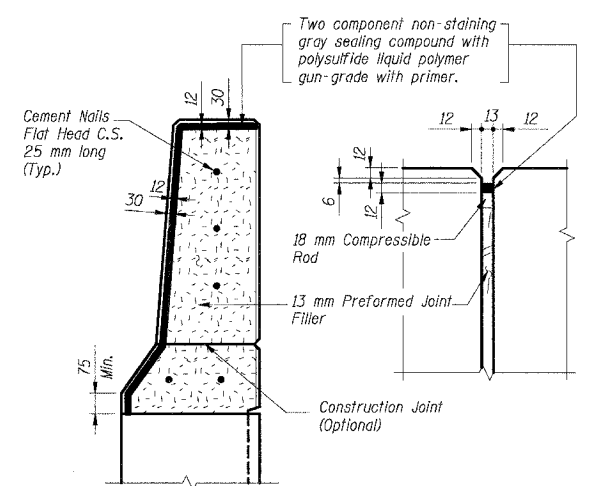
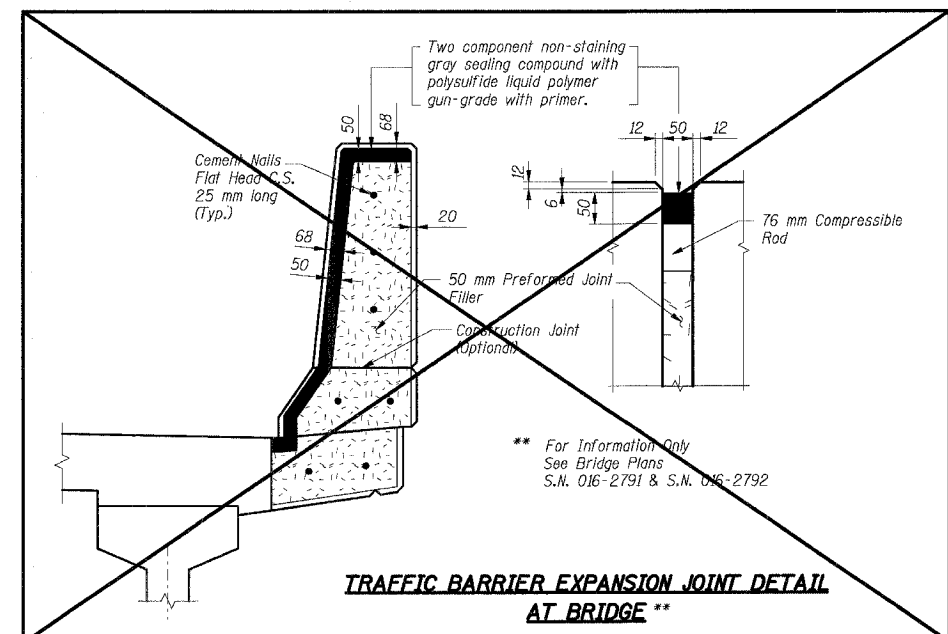
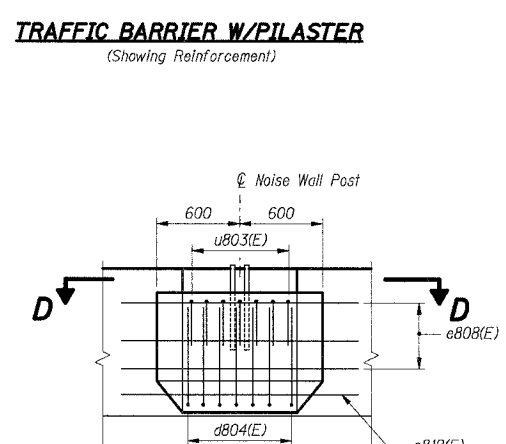
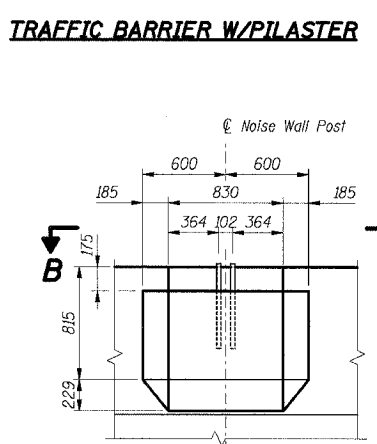


**BAR LIST FOR EACH PILASTER
(FOR INFORMATION ONLY)**

Bar	No.	Size	Length (m)	Shape
d804(E)	7	#15	1.30	U
e808(E)	3	#15	2.56	W
e812(E)	1	#15	2.20	W
u803(E)	7	#20	2.00	L

BILL OF MATERIAL

Item	Unit	Total
Noise Abatement Wall Anchor Rod Assembly	Ea	95



THIS SHEET FOR INFORMATION ONLY

SHT. RW850-47 OF 58

REVISIONS	
NAME	DATE
MJK	5/25/04

- Notes:
- All dimensions are in millimeters (mm) except as noted.
 - Reinforcement bars designated (E) shall be epoxy coated.
 - All edges shall have a 20 mm chamfer unless noted otherwise.
 - E.F. indicates each face.
B.F. indicates back face.
F.F. indicates front face.
 - *Indicates for location of bars, identification and quantity, see Footing Plans & Wall Elevations.
 - For Rustication Finish details, see Sht. RW850-49.

*** 2001-167R, (2425 & 2626) R-1 AND (2425 & 2626) R-2
ILLINOIS DEPARTMENT OF TRANSPORTATION
F.A.I. ROUTE 80/94 (KINGERY EXPRESSWAY)
LOCAL ROADS RECONSTRUCTION
RETAINING WALL - STRUCTURE NO. 016-W850
SECTIONS ***
COOK COUNTY

TRAFFIC BARRIER SECTIONS & DETAILS

DATE: 3/10/2004
DRAWN BY: MJK
CHECKED BY: MJK
TENGG & ASSOCIATES, INC.
ENGINEERS/ARCHITECTS/PLANNERS
CHICAGO, ILLINOIS

7-4-2004, 15:35:00
T:\DOCUMENTS\153150\STRUCT\UDNR\850852A.DGN
BAI/ZEK/J
12 13 14 15 16 17 18 19 20 21 22 23 24 25 26 27 28 29 30 31 32 33 34 35 36 37 38 39 40 41 42 43 44 45 46 47 48 49 50 51 52 53 54 55 56 57 58 59 60 61 62 63