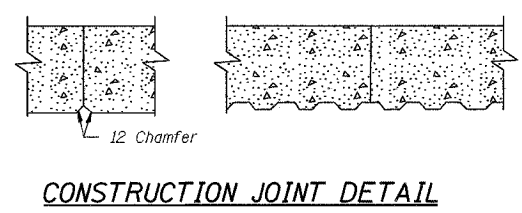
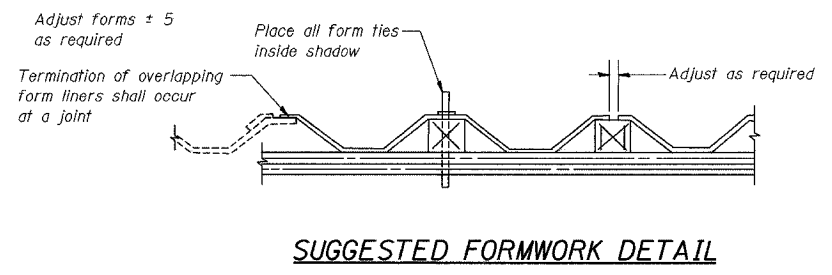
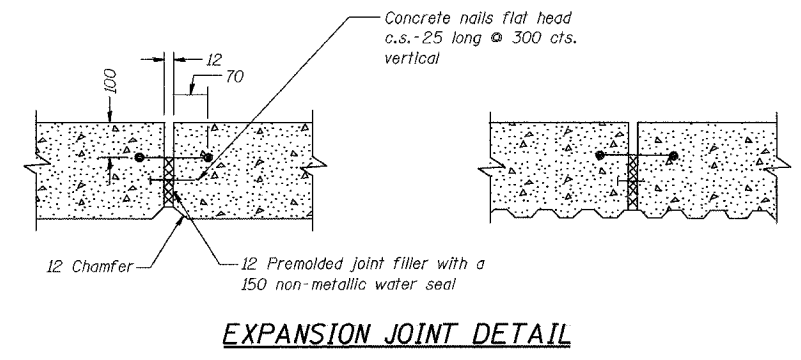
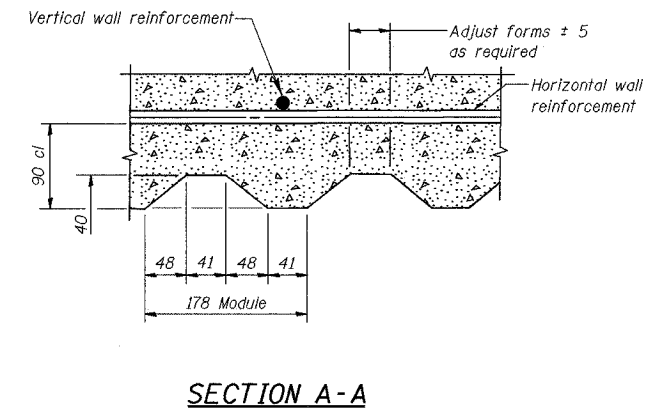


RUSTICATION LIMITS

STATION	TOP OF WALL ELEVATION	BOTTOM OF RUSTICATION ELEVATION
7+354.041	183.695	183.395
7+361.242	183.704	183.149
7+368.441	183.713	182.807
7+375.639	183.740	182.465
7+382.799	183.765	182.243
7+389.890	183.797	182.144
7+396.981	183.826	182.016
7+404.073	183.854	181.972
7+411.165	183.821	181.928
7+418.258	183.762	181.885
7+425.351	183.701	181.842
7+432.445	183.639	181.801
7+439.539	183.580	181.759
7+446.634	183.534	181.718
7+453.730	183.488	181.928
7+460.825	183.441	182.679
7+465.004	183.414	183.121



BILL OF MATERIAL

Item	Unit	Total
Rustication Finish	m ²	166

Note: All dimensions are in millimeters (mm) unless otherwise noted.

DESIGNED	KFA
CHECKED	MJW
DRAWN	MJW
CHECKED	GSP

ILLINOIS DEPARTMENT OF TRANSPORTATION
 F.A.I. ROUTE 80/94 AND U.S. ROUTE 6
 LOCAL ROAD RECONSTRUCTION

RUSTICATION FINISH DETAILS
 SECTION 2001-167R
 COOK COUNTY
 STATION 7+354.041 to STATION 7+465.004
 STRUCTURE NO. 016-W854
 DATE 07/05

AMERICAN
 CONSULTING ENGINEERS

FOR INFORMATION ONLY

10/20/05 10:12 AM