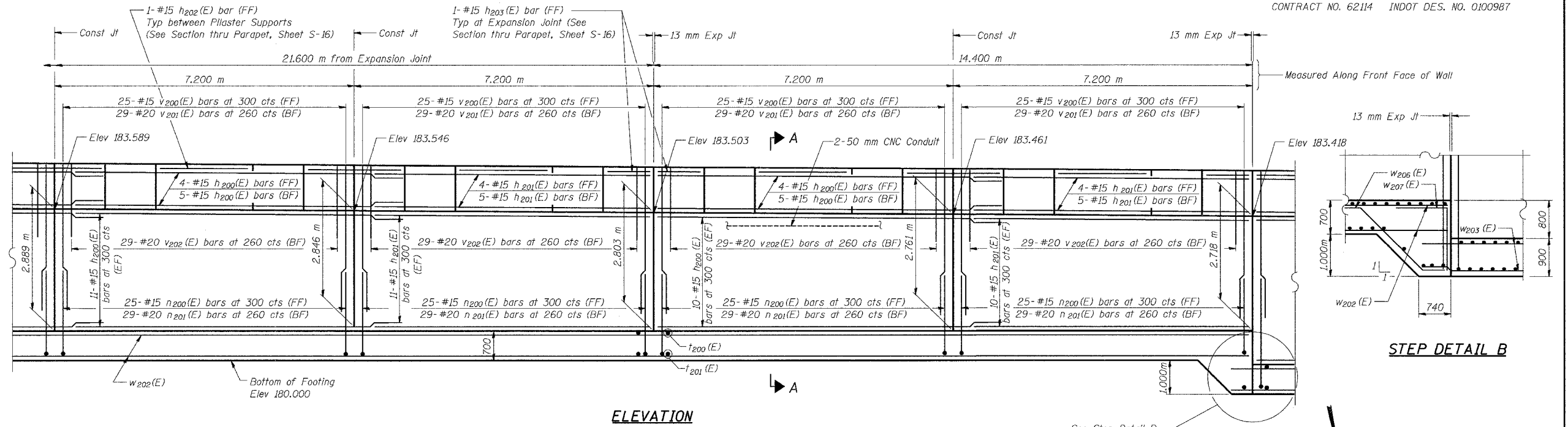
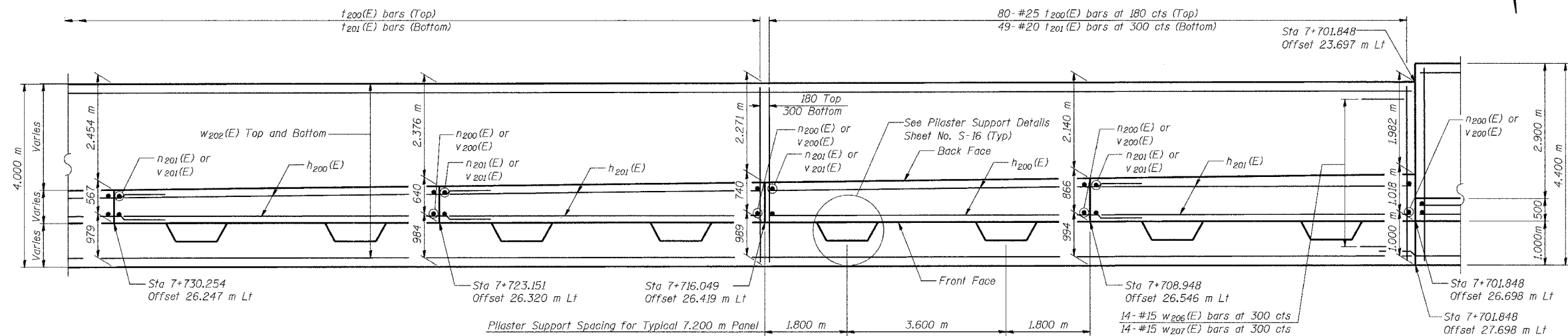


ROUTE NO.	SECTION	COUNTY	SHEET NO.	SHEET	SHEET NO. S-11
88-74	2626.2-R-1	COOK	1207	831	20 SHEETS
ILLINOIS		FED. AID PROJECT			

CONTRACT NO. 62114 INDOT DES. NO. 0100987



ELEVATION



FOOTING PLAN

NOTES:

- See Sheet S-16 for Section A-A, Expansion Joint Detail, and Bill of Material.
- See Sheet S-17 for Rustication details.
- Stations are referenced to \odot I-80/94.
- Reinforcement bars designated (E) shall be epoxy coated.
- All dimensions are in millimeters (mm) except as noted.
- See Electrical Drawings for Junction Box and Conduit Details.

DESIGNED	MJW
CHECKED	KFA
DRAWN	MJB
CHECKED	GSP

MINIMUM BAR LAPS

- #15 bars = 640
- #20 bars = 790

LEGEND

- BF = Back Face
- FF = Front Face
- EF = Each Face

ILLINOIS DEPARTMENT OF TRANSPORTATION
 I-80/94/US 6
 KINGERY-BORMAN EXPRESSWAY
 BURNHAM ROAD TO US 41
PLAN AND ELEVATION (9 OF 13)
SECTION 2626.2-R-1
COOK COUNTY
STATION 7+609.549 TO STATION 7+893.827
STRUCTURE NO. 016-W856
 DATE 07/05
AMERICAN
 CONSULTING ENGINEERS

FOR INFORMATION ONLY