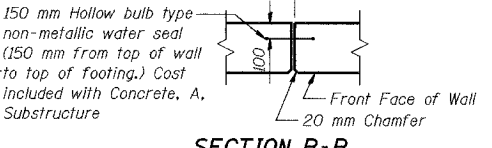
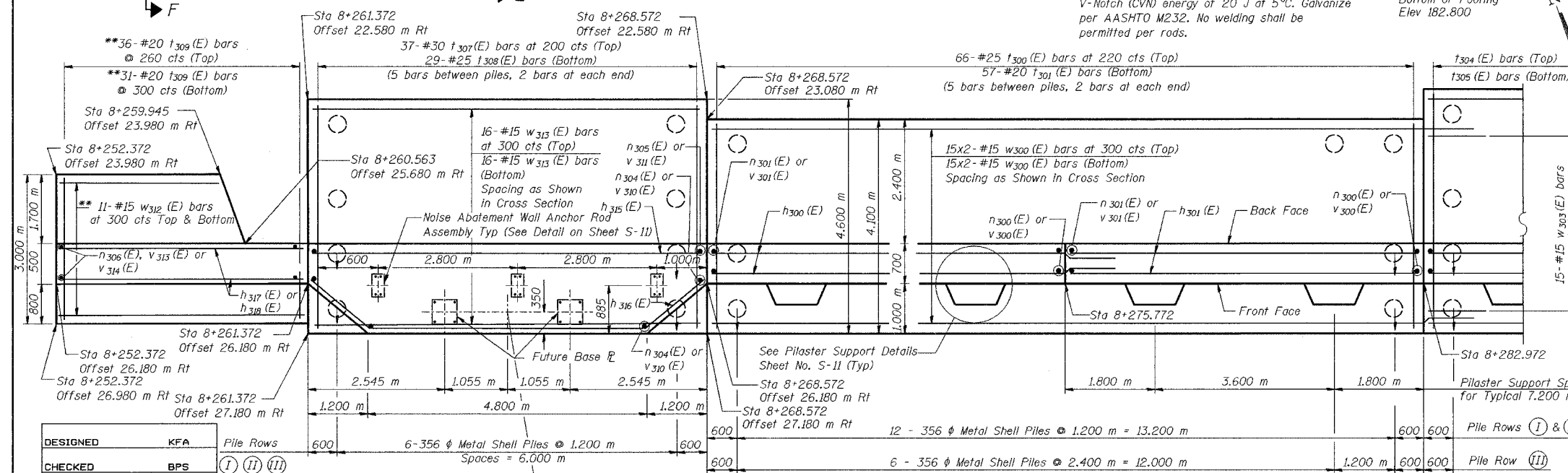
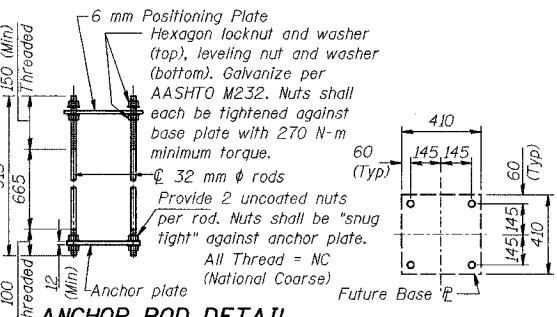
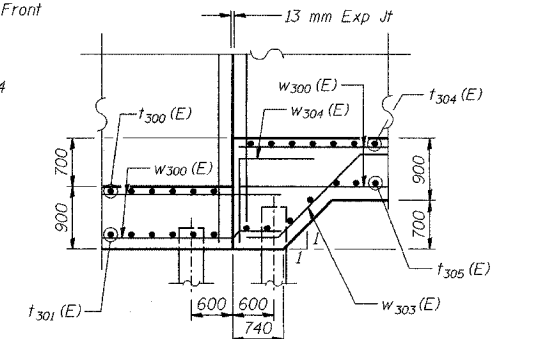
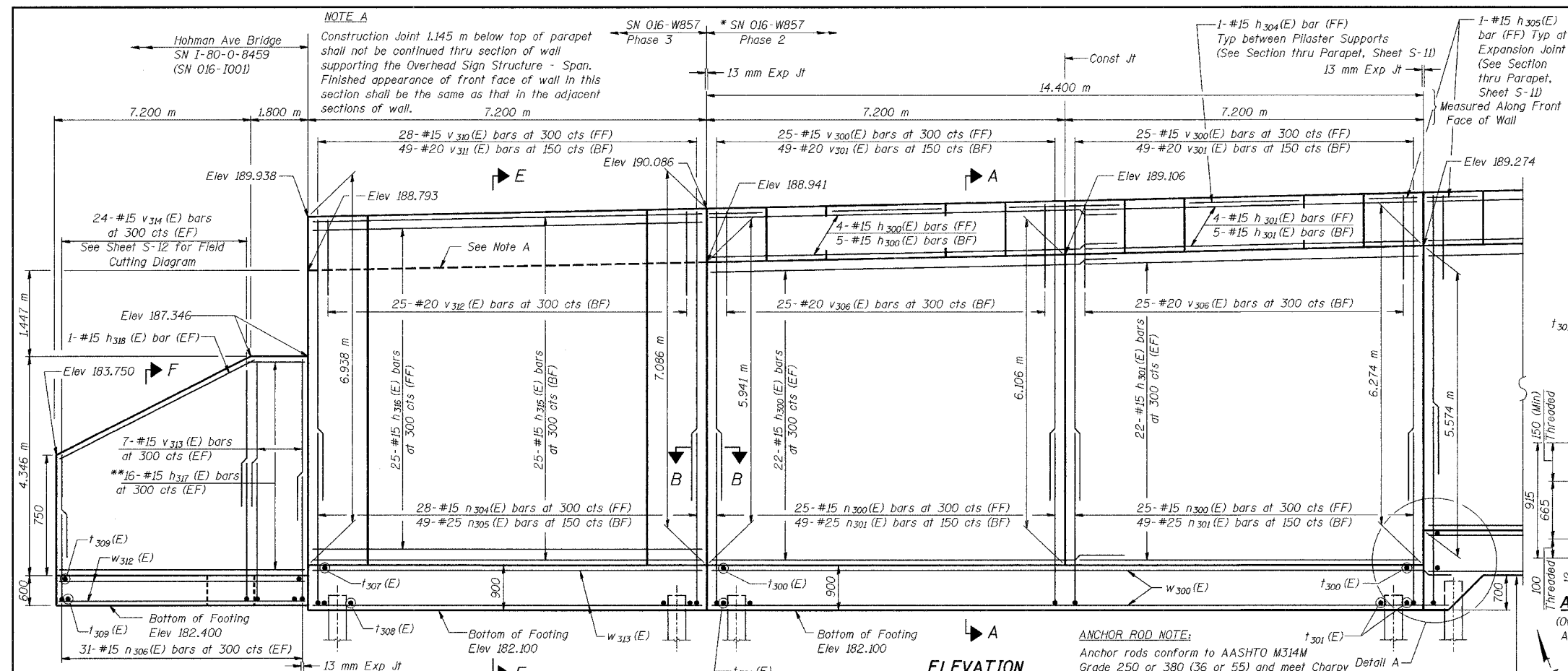


ROUTE NO.	SECTION	COUNTY	SHEET	SHEET NO. S-3
I-80/94	262.2-R-1	LAKE COUNTY, INDIANA	1207 843	20 SHEETS
CONTRACT NO. 62114		INDOT DES. NO. 0100987		



**NOTES:**  
See Sheet S-11 for Section A-A, Section E-E and Section F-F.  
See Sheet S-12 for Expansion Joint Detail and Bill of Material.  
See Sheet S-13 for Rustication details.  
Stations are referenced to I-80/94.  
Reinforcement bars designated (E) shall be epoxy coated.  
All dimensions are in millimeters (mm) except as noted.  
Bars indicated thus 20 x 3-#15 etc. indicates 20 lines of bars with 3 lengths per line.  
\*\* Cut to fit.

ILLINOIS DEPARTMENT OF TRANSPORTATION  
I-80/94/US 6  
KINGERY-BORMAN EXPRESSWAY  
BURNHAM ROAD TO US 41

**PLAN AND ELEVATION (1 OF 8)**  
SECTION 262.2-R-1  
LAKE COUNTY, INDIANA  
STATION 8+253.769 TO STATION 8+268.572  
STRUCTURE NO. 016-W857

DATE 09/05

**AMERICAN**  
CONSULTING ENGINEERS

\* FOR INFORMATION ONLY