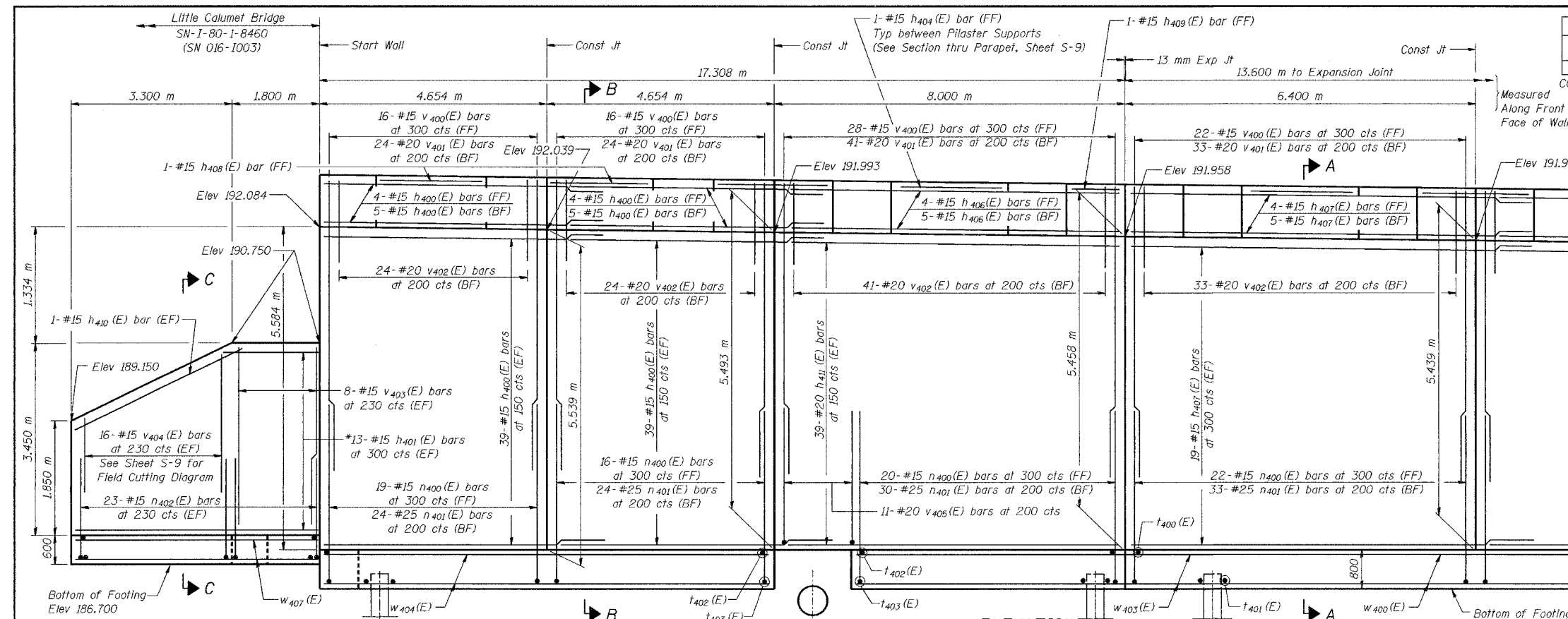
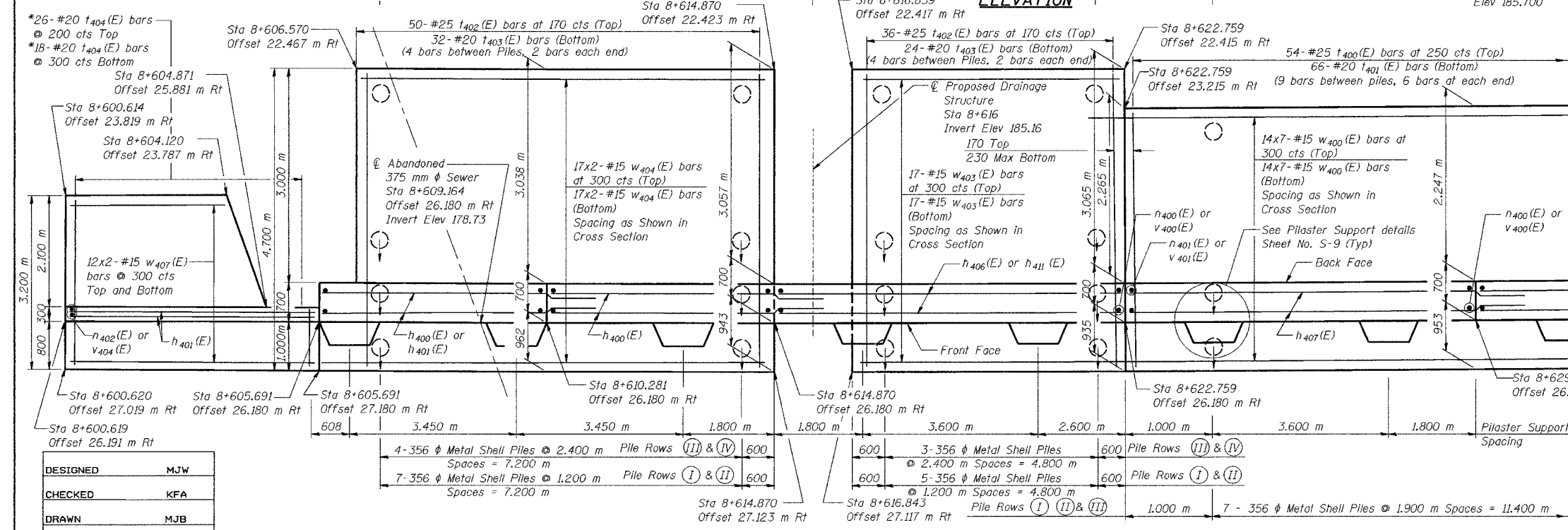


ROUTE NO.	SECTION	COUNTY	SHEETS	SHEET	SHEET NO. S-3 17 SHEETS
1-80-1-8460	2626.2-R-1	LAKE COUNTY, INDIANA	1207	883	
CONTRACT NO. 62114 INDOT DES. NO. 0100987					



NOTES:
 See Sheet S-9 for Section A-A, Section B-B, Section C-C, Expansion Joint Detail and Bill of Material.
 See Sheet S-10 for Rustication details.
 Stations are referenced to \pm I-80/94.
 Reinforcement bars designated (E) shall be epoxy coated.
 All dimensions are in millimeters (mm) except as noted.
 Bars indicated thus 20 x 3-#15 etc. indicates 20 lines of bars with 3 lengths per line.
 The Contractor shall locate all utilities (existing and new) prior to driving piles, by exploratory test pits and/or probes. The cost of locating utilities shall be included with Pile, Concrete, Steel Shell Encased, 6.35 mm, 356 mm. Any conflicts between the utilities and the proposed piles shall be reported in writing to the Bureau of Bridges and Structures for further disposition. Piles within 3 meters horizontally of actual utility location shall be preaugered/precaored to the greater of bottom of the utility or 3 meter depth to maintain utility in original vertical and horizontal position. The diameter of preaugered/precaored hole shall be the same diameter as outside diameter of pile. The cost of the preaugering/precaoring shall be included with Pile, Concrete, Steel Shell Encased, 6.35 mm, 356 mm.
 * Cut bars to fit in field.



MINIMUM BAR LAPS
 #15 bars = 640
 #20 bars = 790

LEGEND
 BF = Back Face
 FF = Front Face
 EF = Each Face

DESIGNED	MJW
CHECKED	KFA
DRAWN	MJB
CHECKED	GSP

ILLINOIS DEPARTMENT OF TRANSPORTATION
 I-80/94/US 6
 KINGERY-BORMAN EXPRESSWAY
 BURNHAM ROAD TO US 41

PLAN AND ELEVATION (1 OF 6)
SECTION 2626.2-R-1
LAKE COUNTY, INDIANA
STATION 8+600.619 TO STATION 8+735.576
STRUCTURE NO. 016-W859

DATE 07/05

AMERICAN
 CONSULTING ENGINEERS

FOOTING PLAN

FOR INFORMATION ONLY