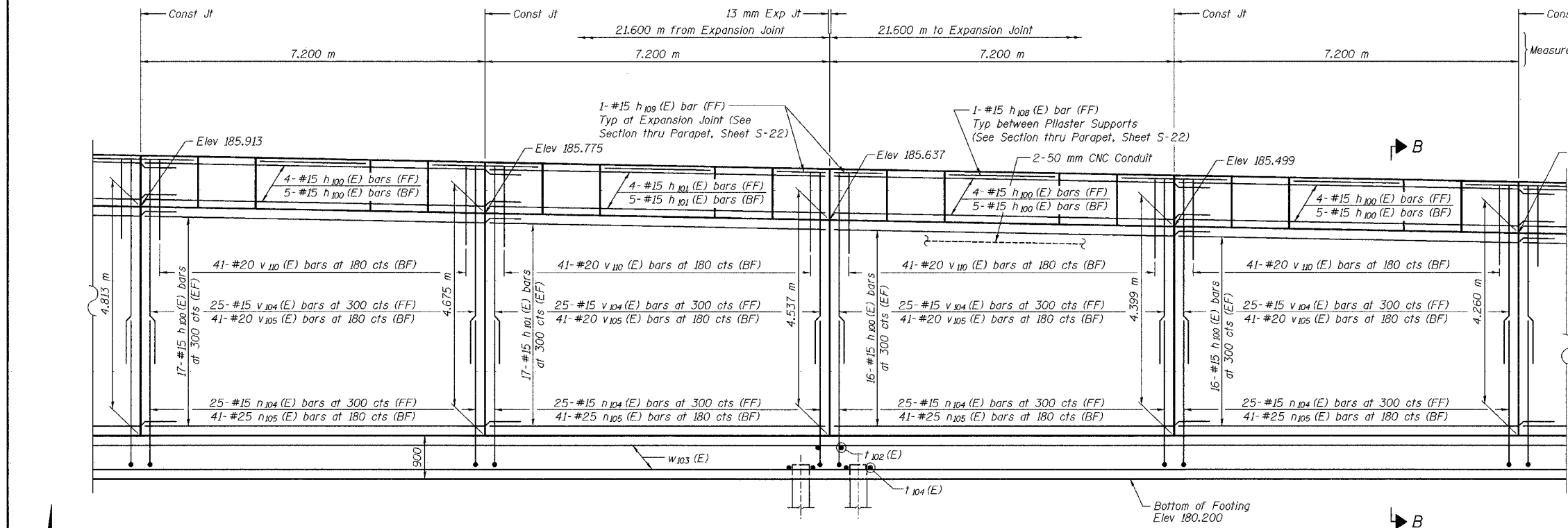
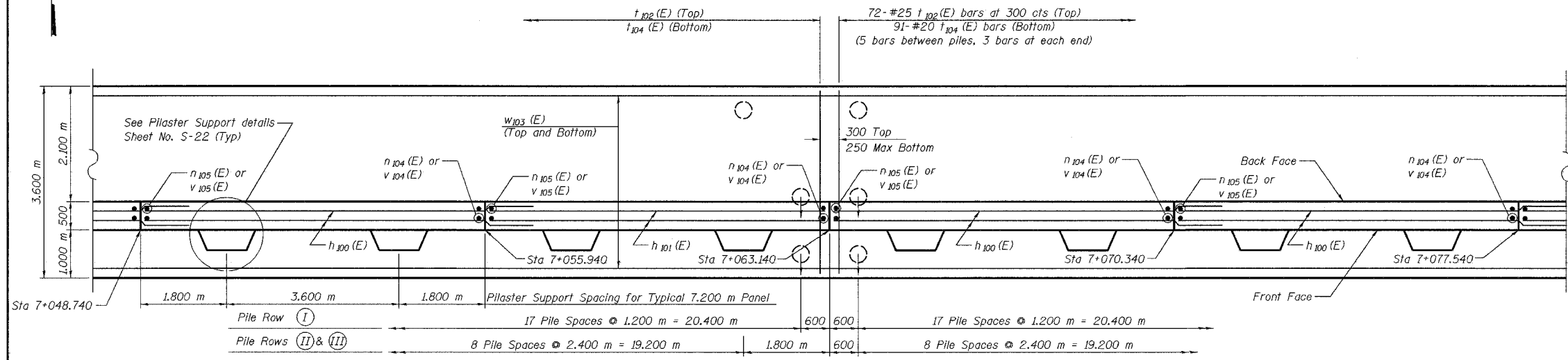


CONTRACT No. 62114



**ELEVATION**



**FOOTING PLAN**

**NOTES:**  
 See Sheet S-22 for Section B-B, Pilaster Support details, and Bill of Material.  
 See Sheet S-23 for Rustication details and Expansion Joint Detail.  
 Stations are referenced to  $\odot$  I-80/94.  
 Reinforcement bars designated (E) shall be epoxy coated.  
 All dimensions are in millimeters (mm) except as noted.  
 See Electrical Drawings for Junction Box and Conduit Details.

DESIGNED	BHS
CHECKED	KFA
DRAWN	MJB
CHECKED	GSP

**MINIMUM BAR LAPS**  
 #15 bars = 640  
 #20 bars = 790  
 #25 bars = 1320

**LEGEND**  
 BF = Back Face  
 FF = Front Face  
 EF = Each Face

ILLINOIS DEPARTMENT OF TRANSPORTATION  
 F.A.L. ROUTE 80/94 AND U.S. ROUTE 6  
 LOCAL ROAD RECONSTRUCTION

**PLAN AND ELEVATION (8 OF 19)**  
**SECTION 2001-167R**  
**COOK COUNTY**  
**STATION 6+850.000 to STATION 7+400.281**  
**STRUCTURE NO. 016-W873**  
 DATE 07/05

**AMERICAN**  
 CONSULTING ENGINEERS

FOR INFORMATION ONLY