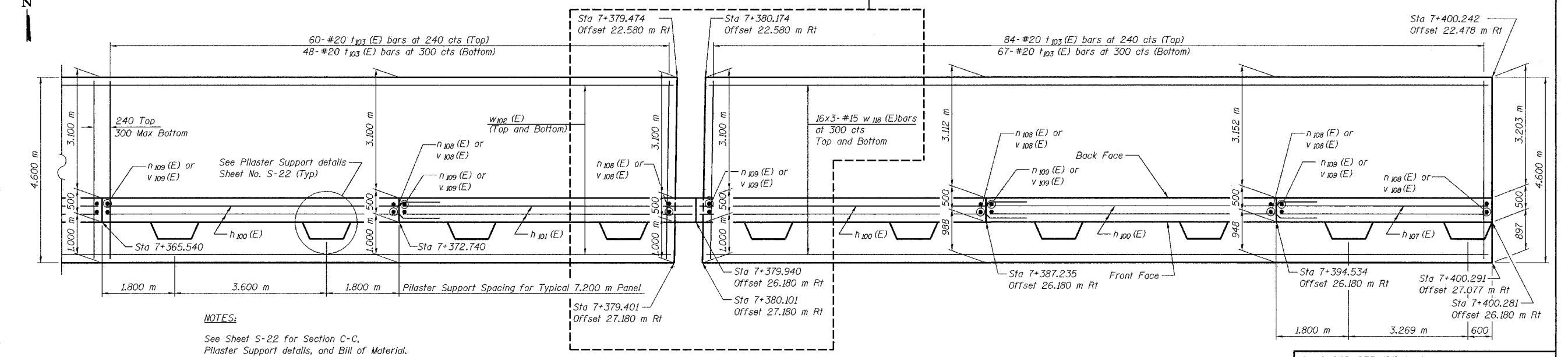
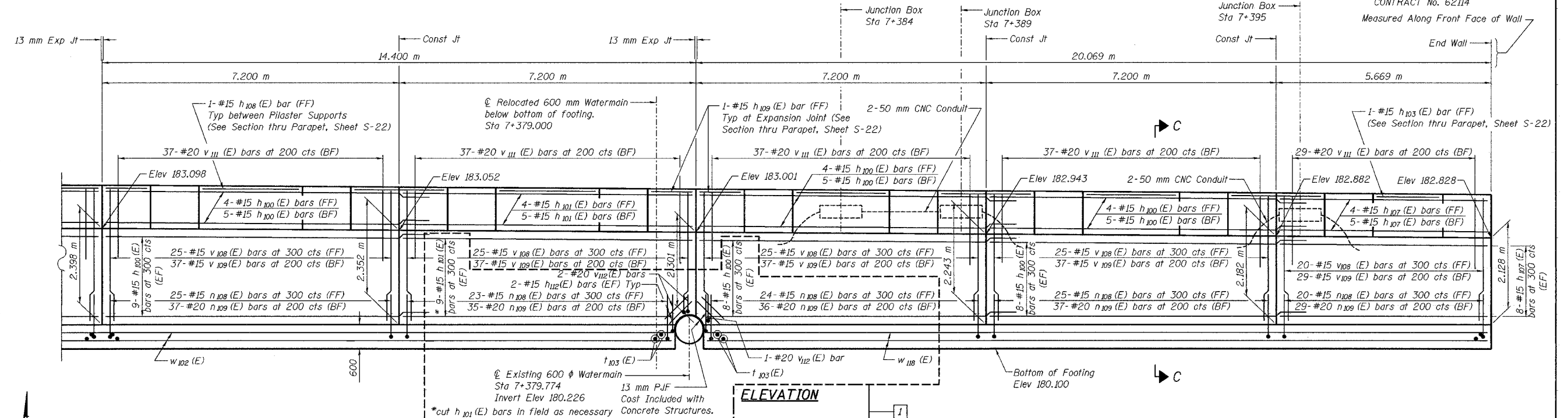


ROUTE NO.	SECTION	COUNTY	SHEET NO.	SHEET TOTAL
F.A.L. 80/94	167R	COOK COUNTY	1207	966
CONTRACT No. 62114				
Measured Along Front Face of Wall				



NOTES:

See Sheet S-22 for Section C-C, Pilaster Support details, and Bill of Material.

See Sheet S-23 for Rustication details and Expansion Joint Detail.

Stations are referenced to \odot I-80/94.

Reinforcement bars designated (E) shall be epoxy coated.

All dimensions are in millimeters (mm) except as noted.

See Electrical Drawings for Junction Box and Conduit Details.

DESIGNED	BHS
CHECKED	KFA
DRAWN	MJB
CHECKED	GSP

MINIMUM BAR LAPS

#15 bars = 640
#20 bars = 790
#25 bars = 1320

LEGEND

BF = Back Face
FF = Front Face
EF = Each Face

REVISED 10-22-04 KFA

ILLINOIS DEPARTMENT OF TRANSPORTATION
 F.A.L. ROUTE 80/94 AND U.S. ROUTE 6
 LOCAL ROAD RECONSTRUCTION

**PLAN AND ELEVATION (19 OF 19)
 SECTION 2001-167R
 COOK COUNTY**

**STATION 6+850.000 to STATION 7+400.281
 STRUCTURE NO. 016-W873**

DATE 07/05

AMERICAN
 CONSULTING ENGINEERS

FOR INFORMATION ONLY