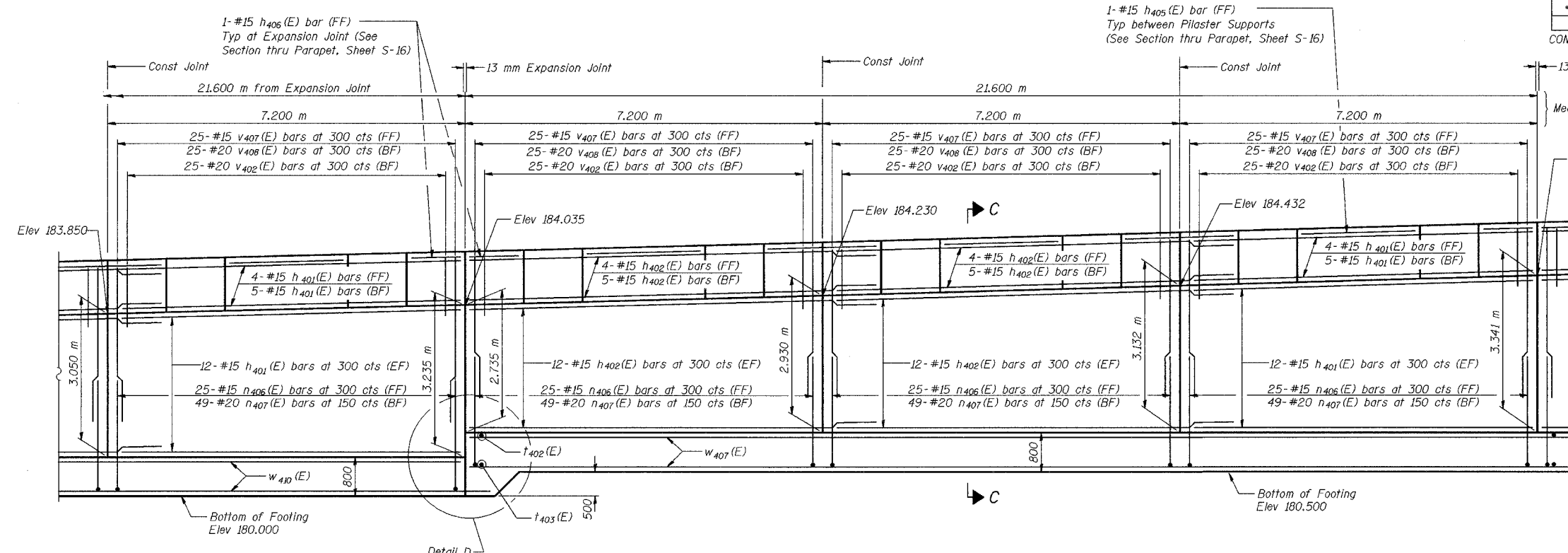
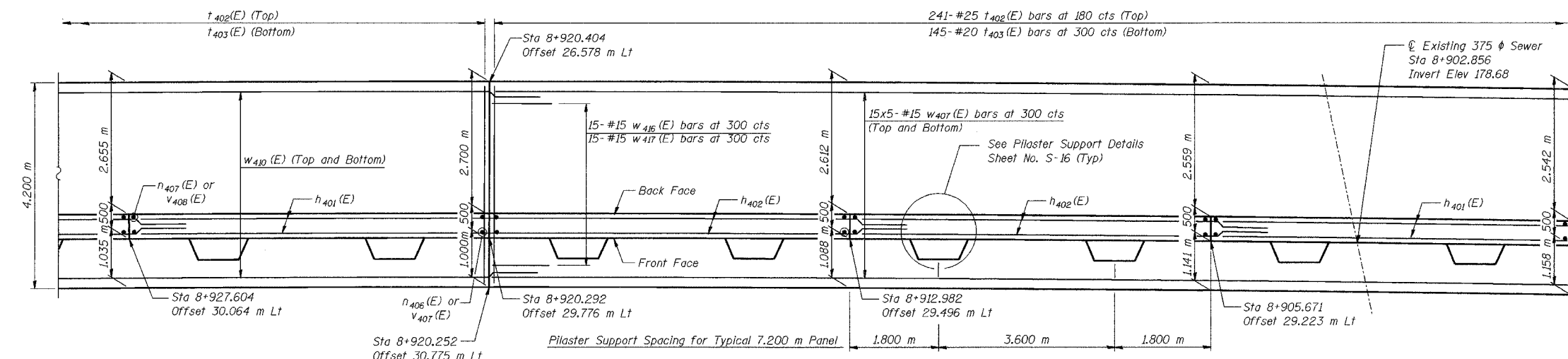


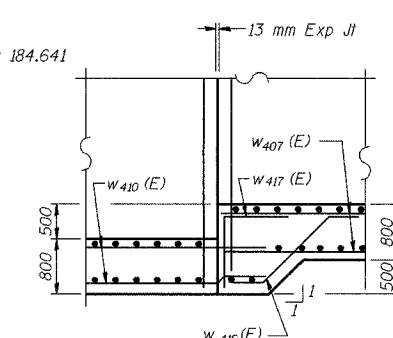
ROUTE NO.	SECTION	COUNTY	SHEET	SHEET	SHEET NO. S-9 25 SHEETS
F.A.L. 88-74	2626-2-2	LAKE COUNTY, INDIANA	1207	1026	
CONTRACT NO. 62114 INDOT DES. NO. 0100987					



ELEVATION



FOOTING PLAN



DETAIL D

NOTES:
 See Sheet S-16 for Section C-C.
 See Sheet S-17 for Expansion Joint Detail and Bill of Material.
 See Sheet S-18 for Rustication details.
 Stations are referenced to \mathcal{L} 1-80/94.
 Reinforcement bars designated (E) shall be epoxy coated.
 All dimensions are in millimeters (mm) except as noted.
 Bars indicated thus 20 x 3-#15 etc. indicates 20 lines of bars with 3 lengths per line.

DESIGNED	KFA
CHECKED	BPS
DRAWN	MJB
CHECKED	GSP

MINIMUM BAR LAPS

#15 bars = 640
 #20 bars = 790

LEGEND

BF = Back Face
 FF = Front Face
 EF = Each Face

ILLINOIS DEPARTMENT OF TRANSPORTATION
 I-80/94/US 6
 KINGERY-BORMAN EXPRESSWAY
 BURNHAM ROAD TO US 41

**PLAN AND ELEVATION (7 OF 13)
 SECTION 2626-2-2
 LAKE COUNTY, INDIANA
 STATION 8+762.750 TO STATION 9+101.839
 STRUCTURE NO. 016-W915**

DATE 09/05

AMERICAN
 CONSULTING ENGINEERS