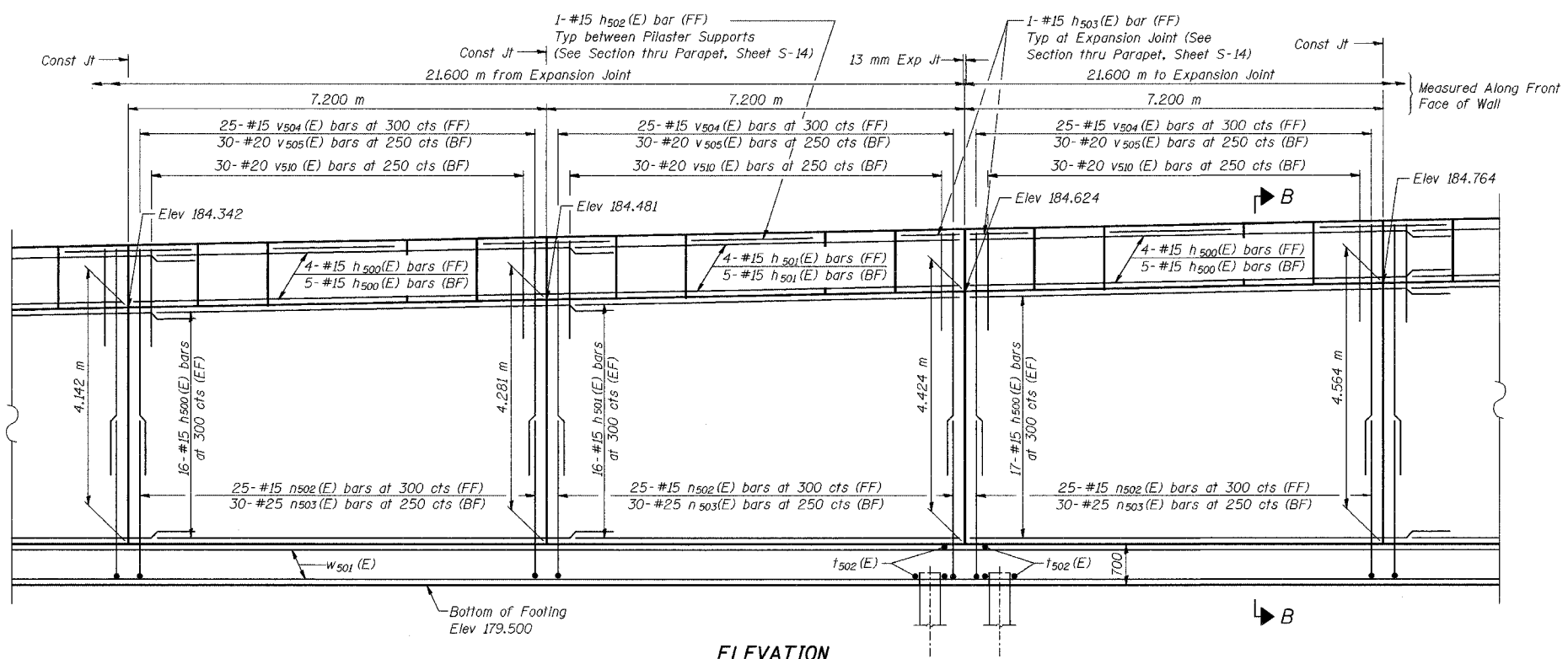
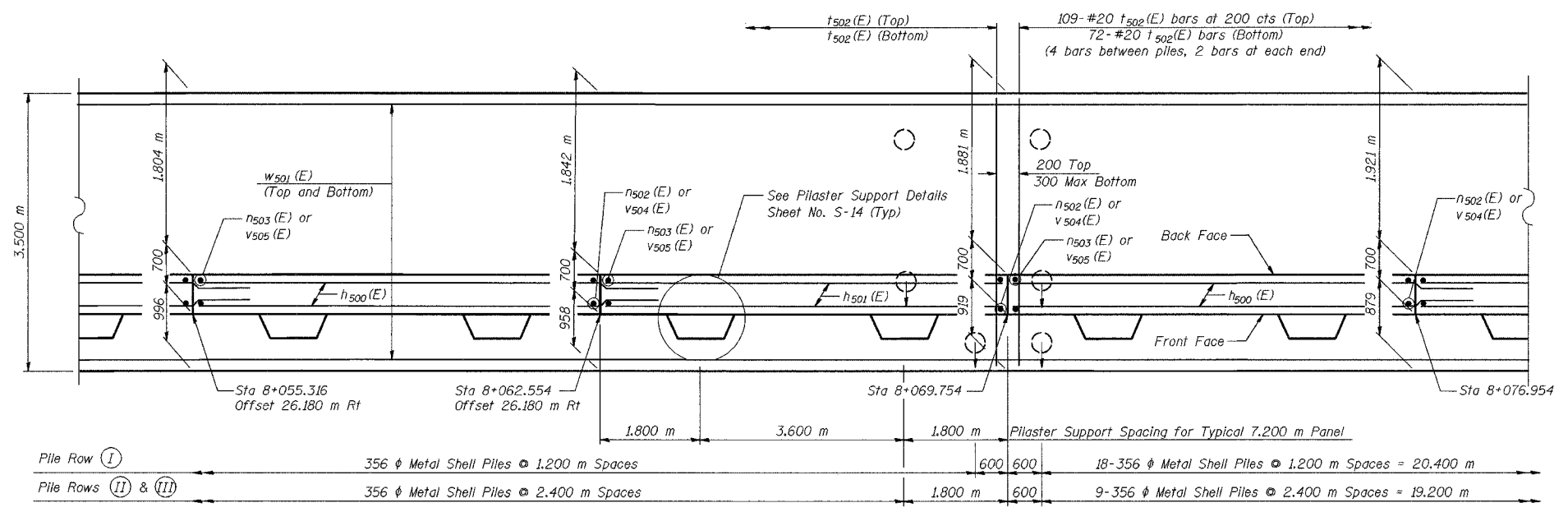


ROUTE NO.	SECTION	COUNTY	SHEET	SHEET	SHEET NO. S-7
F.A.L. 06-74	2626.2-R-1	LAKE COUNTY, INDIANA	1207	1069	19 SHEETS
ILLINOIS		INDOT PROJECT			

CONTRACT NO. 62114 INDOT DES. NO. 0100987



**ELEVATION**



**FOOTING PLAN**

**NOTES:**  
 See Sheet S-14 for Section B-B, Expansion Joint Detail, and Bill of Material.  
 See Sheet S-15 for Rustication details.  
 Stations are referenced to  $\nabla$  I-80/94.  
 Reinforcement bars designated (E) shall be epoxy coated.  
 All dimensions are in millimeters (mm) except as noted.

DESIGNED	MJW
CHECKED	KFA
DRAWN	MJB
CHECKED	GSP

**MINIMUM BAR LAPS**  
 #15 bars = 640  
 #20 bars = 790

**LEGEND**  
 BF = Back Face  
 FF = Front Face  
 EF = Each Face

ILLINOIS DEPARTMENT OF TRANSPORTATION  
 I-80/94/US 6  
 KINGERY-BORMAN EXPRESSWAY  
 BURNHAM ROAD TO US 41  
**PLAN AND ELEVATION (5 OF 11)**  
**SECTION 2626.2-R-1**  
**LAKE COUNTY, INDIANA**  
**STATION 7+960.424 TO STATION 8+199.354**  
**STRUCTURE NO. 016-W922**  
 DATE 07/05  
**AMERICAN**  
 CONSULTING ENGINEERS

FOR INFORMATION ONLY