

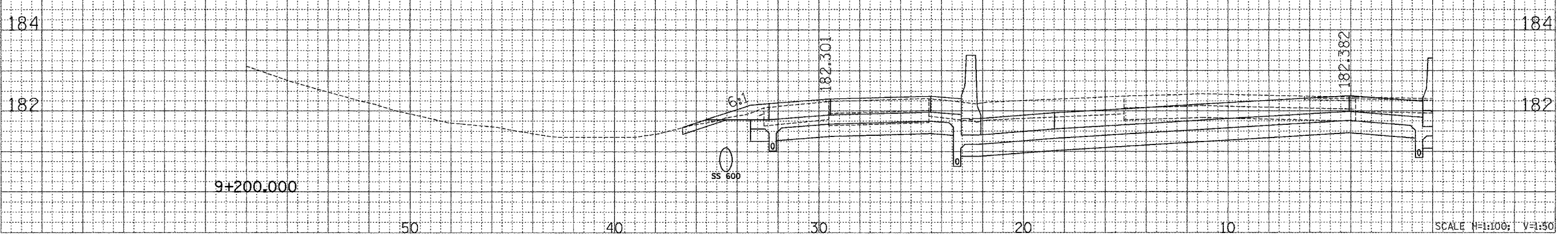
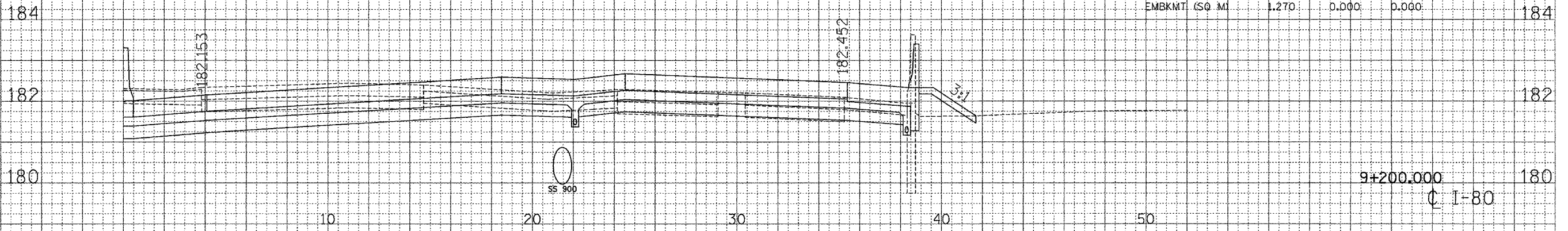
C I-80

F.A.I. RTE.	SECTION	COUNTY	TOTAL SHEETS	SHEET NO.
80/94	2626.2-R-2	COOK	1207	1199
STA.		TO STA.		
FED. ROAD DIST. NO.	ILLINOIS	FED. AID PROJECT		
CONTRACT NO. 62114	INDOT DES. NO 0100987			

FINAL SURVEY	DATE
NOTE BOOK NO.	
SURVEYED	BY
TEMPLATE	
AREAS CHECKED	

ORIGINAL SURVEY	DATE
NOTE BOOK NO.	
SURVEYED	BY
TEMPLATE	
AREAS CHECKED	

	STAGE 1	STAGE 2	STAGE 3	
EARTH. EXC. (SQ. M)	4.300	7.860	16.830	
EMBKMT. (SQ. M)	1.270	0.000	0.000	184



SCALE H=1:100; V=1:50

CROSS SECTION - I-80/94/US 6