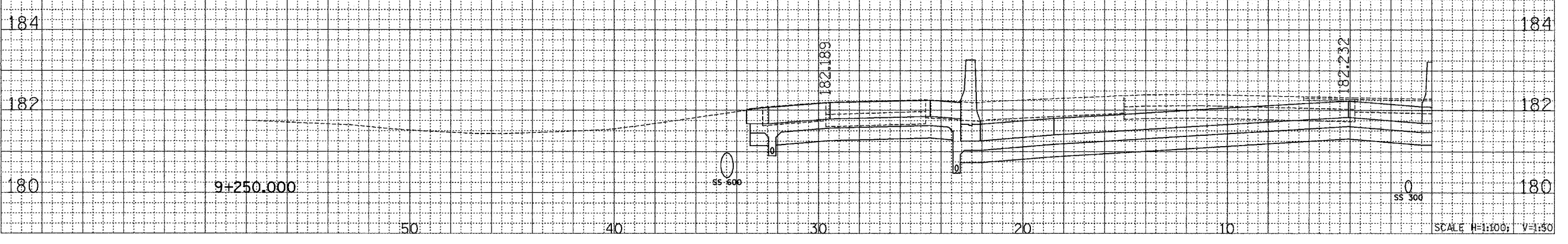
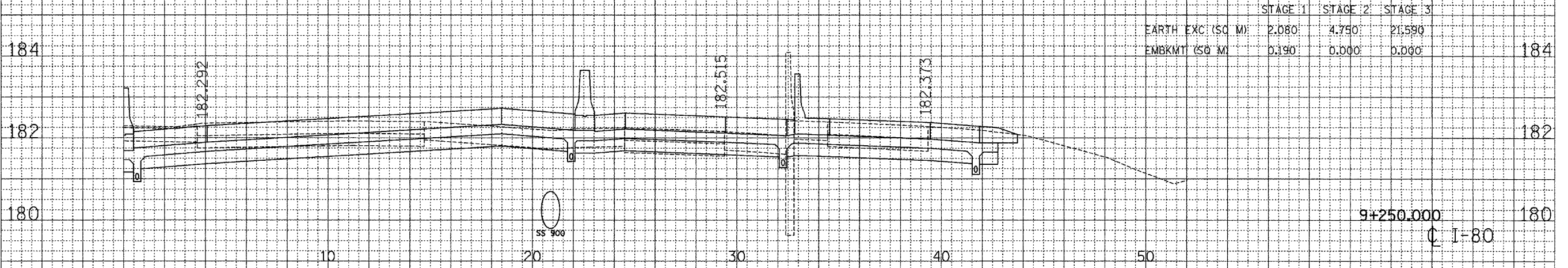


C I-80

F.A.I. RTE.	SECTION	COUNTY	TOTAL SHEETS	SHEET NO.
80/94	2626.2-R-2	COOK	1207	1201
STA.		TO STA.		
FED. ROAD DIST. NO.		ILLINOIS	FED. AID PROJECT	
CONTRACT NO. 62114		INDOT DES. NO 0100987		

FINAL SURVEY	DATE
BY	
SWAYED SURVEY	
NOTE BOOK	
AREA	
AREAS CHECKED	

ORIGINAL SURVEY	DATE
BY	
SWAYED SURVEY	
NOTE BOOK	
AREA	
AREAS CHECKED	



CROSS SECTION - I-80/94/US 6

...:\Swer\1\100218_05 06/12/2005 07:05:30 AM