

F.A.I. R.T.E.	SECTION	COUNTY	TOTAL SHEETS	SHEET NO.
80/94	2626.2-R-2	COOK/LAKE	122.3	1
FED. ROAD DIST. NO.	ILLINOIS	FED. AID PROJECT		
CONTRACT NO. 62114		INDOT DES. NO. 0100987		

STATE OF ILLINOIS
DEPARTMENT OF TRANSPORTATION
DIVISION OF HIGHWAYS

PLANS FOR PROPOSED HIGHWAY

FAI-80/94/US 6 (KINGERY-BORMAN EXPRESSWAY)
SECTION : 2626.2-R-2

BURNHAM ROAD TO US 41 (CALUMET AVE)
REINFORCED AND JOINTED CONCRETE PAVEMENT,
RETAINING WALL, & BRIDGE CONSTRUCTION
PROJECT NO. C-91-020-01
COOK COUNTY, IL; LAKE COUNTY, IN

FOR INDEX OF SHEETS, SEE SHEET NO. 2

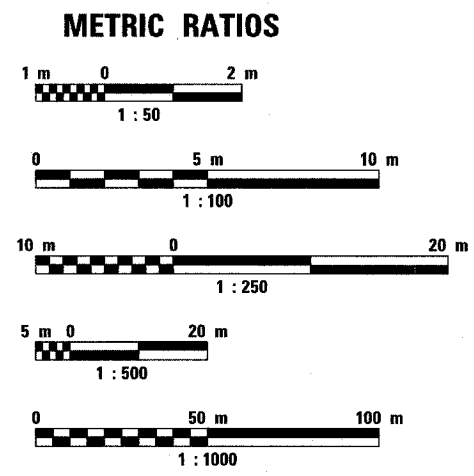
IL DESIGN DESIGNATION:
I-80/94 = 8135(30) Interstate 76.6 (CRC-30)

TRAFFIC DATA
ADT I-80/94/US 6 = 145,100 (1995)
ADT I-80/94/US 6 = 168,000 (2020)

DESIGN SPEED
I-80/94/US 6 - 110 KPH (70 MPH) - ILLINOIS
I-80/94/US 6 - 100 KPH (65 MPH) - INDIANA

PROJECT LOCATED IN
VILLAGE OF LANSING, ILLINOIS AND
CITY OF HAMMOND, INDIANA AND
TOWN OF MUNSTER, INDIANA

CONSULTING SERVICES : PROJECT MANAGER: CATHERINE KIBBLE, (847) 705-4269

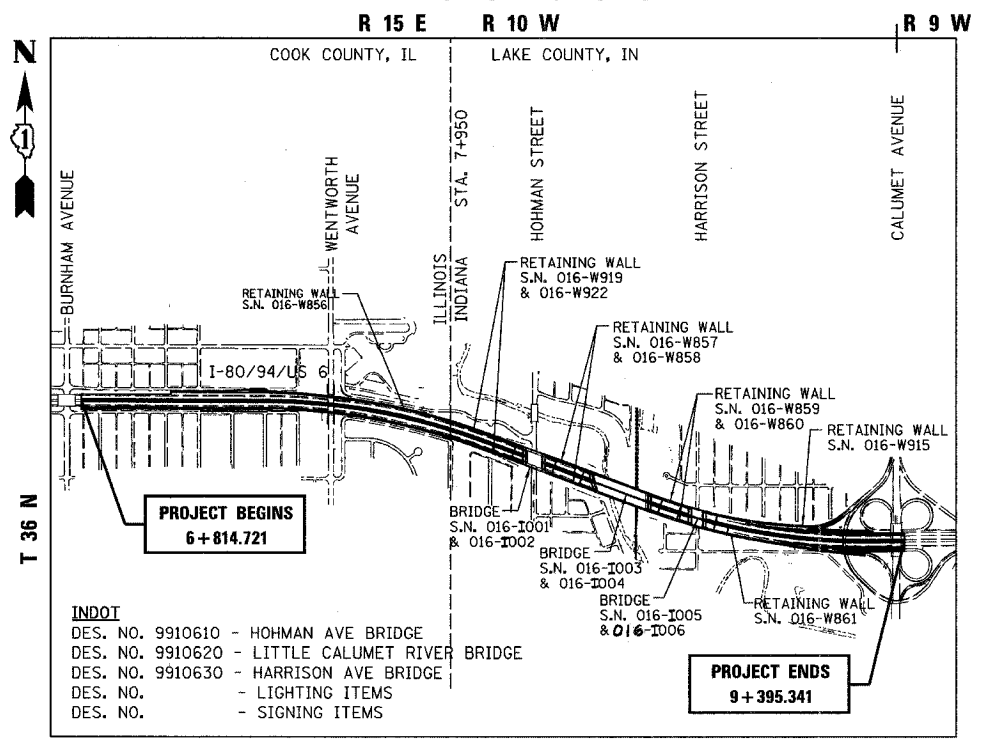


FULL SIZE PLANS HAVE BEEN PREPARED USING STANDARD ENGINEERING SCALES, REDUCED SIZED PLANS WILL NOT CONFORM TO STANDARD SCALES, IN MAKING MEASUREMENTS ON REDUCED PLANS, THE ABOVE SCALES MAY BE USED.

J.U.L.I.E.
JOINT UTILITY LOCATION INFORMATION FOR EXCAVATION
1-800-892-0123

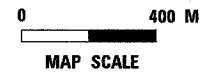
I.U.P.P.S.
INDIANA UNDERGROUND PLANT PROTECTION SERVICE INC.
1-800-382-5544

IDOT CONTRACT NO. 62114
INDOT DES. NO. 0100987



CALUMET CITY TOWNSHIP (IL) AND HIGHLAND TOWNSHIP (IN)

INDOT NET = 1135.3 M; 1.135 KM
INDOT NET = 1445.3 M; 1.445 KM
GROSS LENGTH OF PROJECT = 2580.6 M; 2.581 KM
NET LENGTH OF PROJECT = 2580.6 M; 2.581 KM



I-80/94/US 6 (KINGERY-BORMAN EXPRESSWAY)

CONSTRUCTION OF RETAINING WALLS
STRUCTURE NUMBER 016-W856, 016-W857,
016-W858, 016-W859, 016-W860, 016-W861,
016-W915, & 016-W919, 016-W922;
CONSTRUCTION OF BRIDGE OVER
HOHMAN AVENUE, LITTLE CALUMET
RIVER, & HARRISON AVENUE; REINFORCED
CONCRETE PAVEMENT WIDENING AND
RECONSTRUCTION; NOISE ABATEMENT WALL
(TORRENCE AVE TO CALUMET AVE)

HOHMAN AVENUE
IDOT SN-016-1001, 1002
INDOT I-80-1-8459
REMOVE EXISTING STRUCTURE AND
CONSTRUCT 3-SPAN CONTINUOUS PPC
BEAM BRIDGE ON NEW SUBSTRUCTURE.

LITTLE CALUMET RIVER
IDOT SN-016-1003, 1004
INDOT I-80-1-8460
REMOVE EXISTING STRUCTURE AND
CONSTRUCT TWO 3-SPAN CONTINUOUS
STEEL GIRDER BRIDGE ON NEW
SUBSTRUCTURE.

HARRISON AVENUE
IDOT SN-016-1005, 1006
INDOT I-80-1-8461
REMOVE EXISTING STRUCTURE AND
CONSTRUCT SINGLE SPAN STEEL PLATE
GIRDER BRIDGE ON NEW SUBSTRUCTURE.



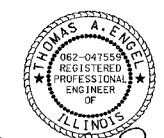
Gary S. Powell
GARY S. POWELL, P.E.
IN. REG. NO. 10403944
EXPIRES: 07-31-2006
DATE: 07-01-2005



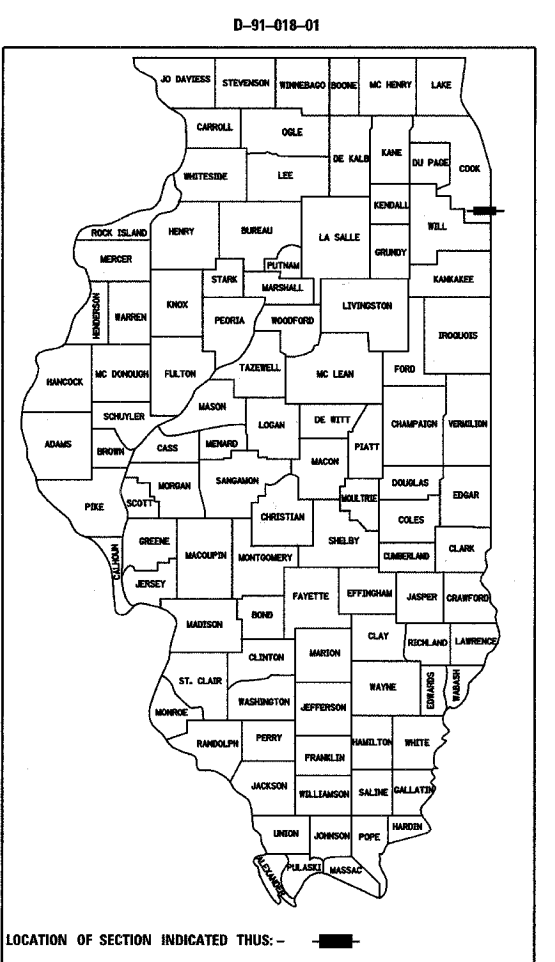
Gary S. Powell
GARY S. POWELL, S.E.
IL. REG. NO. 081-004771
EXPIRES: 11-30-2006
DATE: 07-01-2005



Jeffrey R. Jheilstedt
JEFFREY R. JHEILSTEDT, P.E.
IN. REG. NO. 10101266
EXPIRES: 07-31-2006
DATE: 07-01-2005



Thomas A. Engel
THOMAS A. ENGEL, P.E.
IL. REG. NO. 062-47559
EXPIRES: 11-30-2005
DATE: 07-01-2005



STATE OF ILLINOIS
DEPARTMENT OF TRANSPORTATION
DIVISION OF HIGHWAYS

SUBMITTED July 5, 2005
Diane O'Keefe
DEPUTY DIRECTOR OF HIGHWAYS, REGION ENGINEER

October 14, 2005
Mike Kane
ENGINEER OF DESIGN AND ENVIRONMENT

October 14, 2005
Eric E. Harn
DEPUTY DIRECTOR OF HIGHWAYS, CHIEF ENGINEER

Rev.

PRINTED BY THE AUTHORITY OF THE STATE OF ILLINOIS

INDEX AND STANDARDS

F.A.I. RTE.	SECTION	COUNTY	TOTAL SHEETS	SHEET NO.
80/94	2626.2-R-2	COOK/LAKE	1207	2
STA.	TO STA.			
FED. ROAD DIST. NO.	ILLINOIS	FED. AID PROJECT		
CONTRACT NO. 62114	INDOT DES. NO. 0100987			

INDEX OF SHEETS

SHEET NO. DESCRIPTION

1	COVER SHEET
2-3	INDEX OF SHEETS, GENERAL NOTES, HIGHWAY STANDARDS & COMMITMENTS
4-15	SUMMARY OF QUANTITIES
16-26	TYPICAL SECTIONS
27-36	SCHEDULE OF QUANTITIES
37	SUGGESTED SEQUENCE OF CONSTRUCTION
38-46	ALIGNMENT, TIES, AND BENCHMARKS
47	CALUMET AVE (US-41) INTERCHANGE LAYOUT
48-65	EXISTING AND PROPOSED ROADWAY PLAN
66-84	EXISTING AND PROPOSED ROADWAY PROFILE
85	GATEWAY DETAIL
86	EXISTING PUMP STATION REMOVAL PLAN
87-88	STATELINE SITE PLAN LAYOUT
89-106	ROADWAY DETAILS
107-129	INDIANA ROADWAY DETAILS
130-144	PAVEMENT JOINTING PLANS
145-153	INDIANA PAVEMENT JOINT DETAILS
154-181	SOIL BORING LAYOUT PLAN AND PROFILE SHEETS
182-184	MAINTENANCE OF TRAFFIC GENERAL NOTES & SUGGESTED CONSTRUCTION STAGING
185-189	MAINTENANCE OF TRAFFIC TYPICAL SECTIONS
190-191	MAINTENANCE OF TRAFFIC DETOUR SIGNING PLAN
192-193	MAINTENANCE OF TRAFFIC - PRE-STAGE 1
194-201	MAINTENANCE OF TRAFFIC - STAGE 1
202-206	MAINTENANCE OF TRAFFIC - PRE-STAGE 2
207-212	MAINTENANCE OF TRAFFIC - STAGE 2A
213-214	MAINTENANCE OF TRAFFIC - STAGE 2B
215-220	MAINTENANCE OF TRAFFIC - STAGE 3
221-229	MAINTENANCE OF TRAFFIC DETAILS
230-231	EROSION AND SEDIMENT CONTROL GENERAL NOTES
232-239	EROSION CONTROL PLAN
240-241	EROSION CONTROL DETAILS
242-249	EXISTING DRAINAGE & UTILITY PLAN
250-257	PROPOSED DRAINAGE & UTILITY PLAN
258-262	UNDERDRAIN PLANS
263-278	DRAINAGE AND UTILITY PROFILE
279-282	DRAINAGE SCHEDULES
283-297	DRAINAGE DETAILS
298-322	INDIANA DRAINAGE DETAILS
323-325	VILLAGE OF LANSING WATERMAIN PLANS
326-332	UTILITY SURVEY PLAN
333-339	PLAT OF HIGHWAYS FAI-80 (I-80 / I-94)
340-345	PAVEMENT MARKING PLAN
346-349	PAVEMENT MARKING DETAILS
350-352	INDIANA PAVEMENT MARKING DETAILS
353-361	SIGNING PLAN
362-365	SIGNING SCHEDULE
366-371	SIGNING DETAILS
372-382	OVERHEAD SIGN STRUCTURE DETAIL SHEETS
383	NOT USED
→ 384-387	OVERHEAD SIGN STRUCTURE DETAIL SHEETS
388-398	SIGN STRUCTURE DETAIL SHEETS
399-403	INDIANA WELCOME SIGN DETAIL SHEETS
404-409	SIGN STRUCTURE FOUNDATION DETAILS
410-411	BREAK-AWAY SIGN STRUCTURE DETAIL SHEETS
412-414	NOT USED
415-442	INDIANA SIGN DETAIL SHEETS
443-450	LANDSCAPING PLAN
451	LIGHTING LEGEND
452-461	EXISTING LIGHTING PLANS
462-471	PROPOSED LIGHTING PLANS
472-472A	CONDUIT TRANSITION DETAILS
473-480	ELECTRICAL INSTALLATION PLAN
481-488B	ELECTRICAL INSTALLATION PLAN DETAILS
489-501E	WEIGH - IN - MOTION PLANS
502-525	NOISE ABATEMENT WALL PLAN AND PROFILE
526-532	TRAFFIC BARRIER AT NOISEWALL - F.I.O.
533-534A	NOISE ABATEMENT WALL DETAILS
535-540A	NOISE WALL SOIL BORINGS - F.I.O.
541-544	BURNHAM BRIDGE PLANS - F.I.O.
545-579	WENTWORTH BRIDGE PLANS - F.I.O.
580-619	HOHMAN BRIDGE PLANS
620-691	LITTLE CAL BRIDGE PLANS
692-719	HARRISON BRIDGE PLANS
720	TEMPORARY SHEET PILING DETAIL - F.I.O.
721-747	RETAINING WALL 016-W835 - F.I.O.
748-755	RETAINING WALL 016-W847 - F.I.O.
756-767	RETAINING WALL 016-W849 - F.I.O.

768-776	RETAINING WALL 016-W850 - F.I.O.
777-779	RETAINING WALL 016-W851 - F.I.O.
780-782	RETAINING WALL 016-W852 - F.I.O.
783-796	RETAINING WALL 016-W853 - F.I.O.
797-808	RETAINING WALL 016-W854 - F.I.O.
809-820	RETAINING WALL 016-W855 - F.I.O.
821-840	RETAINING WALL 016-W856
841-860	RETAINING WALL 016-W857
861-880	RETAINING WALL 016-W858
881-897	RETAINING WALL 016-W859
898-916	RETAINING WALL 016-W860
917-945	RETAINING WALL 016-W861
946-982	RETAINING WALL 016-W873 - F.I.O.
983-1017	RETAINING WALL 016-W874 - F.I.O.
1018-1042	RETAINING WALL 016-W915
1043-1062	RETAINING WALL 016-W919
1063-1081	RETAINING WALL 016-W922
1082-1083	STRUCTURAL SHOULDER
1084-1207	CROSS SECTIONS

* Pages 386 and 387 DELETED
F.I.O. = FOR INFORMATION ONLY

HIGHWAY STANDARDS

280001-02 TEMPORARY EROSION CONTROL SYSTEMS

420001-06	PAVEMENT JOINTS
421001-01	BAR REINFORCEMENT FOR CRC PAVEMENT
421201-04	7.2 M (24') CRC PAVEMENT (WITH LUG SYSTEM)
421206-04	10.8 M (36') CRC PAVEMENT (WITH LUG SYSTEM)
442201-01	CLASS C AND D PATCHES
483001-02	PCC SHOULDER
515001-02	NAME PLATE FOR BRIDGES
542606	REINFORCED CONCRETE PIPE TEE
601001	SUB-SURFACE DRAINS
601101	CONCRETE HEADWALL FOR PIPE DRAIN
602001	CATCH BASIN TYPE A
602011	CATCH BASIN TYPE C
602101-01	DRAINAGE STRUCTURES TYPES 1, 2 & 3
602401	MANHOLE TYPE A
602601	PRECAST REINFORCED CONCRETE FLAT SLAB TOP
602701	CAST IRON STEPS
604001-02	FRAME AND LIDS TYPE 1
604036-01	GRATE TYPE B
604071-02	FRAME AND GRATE TYPE 20
604076-02	FRAME AND GRATE TYPE 21
606001-02	CONCRETE CURB TYPE B AND COMBINATION CONCRETE CURB AND GUTTER
635006-02	REFLECTOR AND TERMINAL MARKER PLACEMENT
635011-01	REFLECTOR MARKER AND MOUNTING DETAILS
637006	CONCRETE BARRIER, DOUBLE FACE, 1065mm (42 in.) HEIGHT
642001	SHOULDER RUMBLE STRIPS
664001-01	CHAIN LINK FENCE
701006-02	OFF-RD OPERATIONS 2L, 2W, 4.5M (15') TO PAVEMENT EDGE FOR SPEEDS GREATER THAN OR EQUAL TO 45 MPH
701101-01	OFF-RD OPERATIONS, MULTILANE LESS THAN 4.5 M (15') AWAY FOR SPEEDS GREATER THAN OR EQUAL TO 45 MPH
701206-01	LANE CLOSURE, 2L, 2W, NIGHT ONLY ON-RD TO 600 MM (24") OFF-RD FOR SPEEDS GREATER THAN OR EQUAL TO 45 MPH
701301-02	LANE CLOSURE 2L, 2W SHORT TIME OPERATIONS
701400-02	APPROACH TO LANE CLOSURE, FREEWAY/EXPRESSWAY
701401-03	LANE CLOSURE, FREEWAY/EXPRESSWAY
701402-05	LANE CLOSURE, FREEWAY/EXPRESSWAY, WITH BARRIER
701411-03	LANE CLOSURE MULTILANE AT ENTRANCE OR EXIT RAMP FOR SPEEDS GREATER THAN OR EQUAL TO 45 MPH
701426-02	LANE CLOSURE MULTILANE INTERMITTENT OR MOVING OPER. FOR SPEEDS GREATER THAN OR EQUAL TO 45 MPH

701446	TWO LANE CLOSURE, FREEWAY/EXPRESSWAY
701501-03	URBAN LANE CLOSURE 2L, 2W UNDIVIDED
701601-04	URBAN LANE CLOSURE MULTILANE 1W OR 2W WITH NONTRAVERSABLE MEDIAN
701606-04	URBAN LANE CLOSURE MULTILANE 2W WITH MOUNTABLE MEDIAN
701701-04	URBAN LANE CLOSURE MULTILANE INTERSECTION
701801-03	LANE CLOSURE MULTILANE 1W OR 2W CROSSWALK OR SIDEWALK CLOSURE
702001-05	TRAFFIC CONTROL DEVICES
704001-02	TEMPORARY CONCRETE BARRIER
720001	SIGN PANEL MOUNTING DETAILS
720006	SIGN PANEL ERECTION DETAILS
720011	METAL POSTS FOR SIGNS, MARKERS & DELINEATORS
720021-01	SIGN PANELS EXTRUDED ALUMINUM TYPE
781001-02	TYPICAL APPLICATIONS RAISED REFLECTIVE PAVEMENT MARKERS
814001	CONCRETE HANDHOLES
000001-04	STANDARD SYMBOLS, ABBREVIATIONS AND PATTERNS
001001	AREAS OF REINFORCEMENT REBARS

INDIANA UTILITY CONTACT INFORMATION

SBC/Ameritech 302 South East Street Crown Point, IN 46307 Angelo LaManita (219) 662-4418 al1242@sbc.com	Munster Water & Sewer Dept. 1005 Ridge Rd. Munster, IN 46321 Gerald Andrisko 219-836-6973 gandrisko@ci.munster.in.us
Comcast 844 169th St. Hammond, IN 46324 Robert O'lynn (630)288-7639 bob_oflynn@cable.comcast.com	NIPSCO - Elect Dist. & Gas 801 East 86th Avenue Merrillville, IN 46410 Phil Wozniak (219) 886-5542 pmwozniak@nsource.com
Hammond Sanitary District 5009 Calumet Ave. Building 50 Hammond, IN 46327 Scott Mitchell (219) 853-6413 x635 semito@surfnnetinc.com	NIPSCO - Elect. Transmission 801 East 86th Ave. Merrillville, IN 46410 James Magdziarz (219) 647-5031 jamagdzia@nsource.com
Hammond Waterworks Dept. 6505 Columbia Ave. Hammond, IN 46320 Stanley Zatorski (219) 853-6429	Wide Open West 1674 Frontenac Rd Naperville, IL 60563 Ted Lavizzo (630) 536-3128 tlavizzo@wideopenwest.com

REVISIONS	
NAME	DATE

ILLINOIS DEPARTMENT OF TRANSPORTATION
I-80/94/US 6
KINGERY-BORMAN EXPRESSWAY
BURNHAM ROAD TO US 41
**INDEX OF SHEETS
AND HIGHWAY STANDARDS**

SCALE NONE
DATE 07/05

DRAWN BY ACE/CAD
CHECKED BY TAE

AMERICAN
CONSULTING ENGINEERS

GENERAL NOTES

F.A.I. RTE.	SECTION	COUNTY	TOTAL SHEETS	SHEET NO.
80/94	2626.2-R-2	COOK/LAKE	1207	3
STA.	TO STA.			
FED. ROAD DIST. NO.	ILLINOIS	FED. AID PROJECT		
CONTRACT NO. 62114		INDOT DES. NO. 0100987		

GENERAL NOTES - MISCELLANEOUS

 ALL ELEVATIONS REFER TO 1988 N.A.V.D. DATUM.

THE CONTRACTOR WILL NOT BE ALLOWED TO SET UP A YARD OR FIELD OFFICE ON STATE PROPERTY WITHOUT WRITTEN PERMISSION FROM THE DEPARTMENT.

WHEN ARTIFICIAL LIGHTING IS USED IN NIGHT OPERATIONS, THE CONTRACTOR SHALL ADJUST THE INTENSITY OF ILLUMINATION AND THE ORIENTATION OF THE ARTIFICIAL LIGHTING AS DIRECTED BY THE ENGINEER TO PREVENT AN ADVERSE AFFECT ON THE VISIBILITY OF MOTORING PUBLIC AND ADJOINING RESIDENTIAL AREAS.

THE CONTRACTOR SHALL OBTAIN ANY PERMIT REQUIRED FROM ALL LOCAL JURISDICTIONS PRIOR TO START OF OPERATIONS.

GENERAL NOTES - ROADWAY

THE CONTRACTOR SHALL VERIFY THE DIMENSIONS OF THE CONCRETE BARRIER WALL AND BRIDGE PARAPETS WITH THE ENGINEER PRIOR TO FABRICATING THE BARRIER WALL AND PARAPET FORMS.

PAYMENT FOR REMOVAL OF TEMPORARY CONCRETE BARRIER SHALL BE COORDINATED WITH THE MAINTENANCE OF TRAFFIC PLAN AND SHALL OCCUR AS THE BARRIER IS NO LONGER NEEDED ON THE PROJECT. THE CONTRACTOR AND RESIDENT ENGINEER SHALL INVENTORY AND AGREE TO THE TOTAL LENGTH OF BARRIER FOR PAYMENT UNDER THIS ITEM BEFORE ANY OF THE BARRIER IS MOVED.

UNLESS NOTED OTHERWISE, SAW CUTTING WILL BE REQUIRED AND WILL NOT BE PAID SEPARATELY BUT SHALL BE INCLUDED IN THE PAYMENT FOR THE REMOVAL ITEM.

IT SHALL BE THE CONTRACTOR'S RESPONSIBILITY TO VERIFY ALL DIMENSIONS AND CONDITIONS EXISTING IN THE FIELD PRIOR TO CONSTRUCTION AND ORDERING OF MATERIALS.

ALL CURB AND COMBINATION CURB AND GUTTER REMOVAL IS PAID AS COMBINATION CURB AND GUTTER REMOVAL.

THE BITUMINOUS MATERIAL PRIME COAT QUANTITIES HAVE BEEN DETERMINED USING A RATE OF 0.00043 M-TONS PER SQUARE METER (0.0004 TONS PER SQ. YD.)

POROUS GRANULAR EMBANKMENT, SUBGRADE (PGES) MAY BE USED AT LOCATIONS WHERE UNSUITABLE OR UNSTABLE MATERIAL IS ENCOUNTERED DURING CONSTRUCTION. SOILS WILL BE TESTED BY THE ENGINEER IN ACCORDANCE WITH ARTICLE 301.03 AND THE UNDERCUT GUIDELINES IN THE IDOT SUBGRADE STABILITY MANUAL. THE ACTUAL LIMITS AND DEPTHS OF REMOVAL AND REPLACEMENT WILL BE DETERMINED BY THE ENGINEER. THE ENGINEER WILL DETERMINE IF THE REMOVED MATERIAL IS UNSUITABLE OR UNSTABLE BASED ON THE FOLLOWING CRITERIA. UNSTABLE MATERIAL IS THAT WHICH, WITH ADEQUATE PROCESSING, CAN MEET THE REQUIREMENTS OF EMBANKMENT AS OUTLINED IN THIS CONTRACT. UNSUITABLE MATERIAL DOES NOT MEET THE REQUIREMENTS FOR EMBANKMENT MATERIALS. UNSUITABLE SOILS SHALL BE REMOVED AND DISPOSED OF BY THE CONTRACTOR IN ACCORDANCE WITH SECTION 202 OF THE STANDARD SPECIFICATIONS FOR ROAD AND BRIDGE CONSTRUCTION. UNSTABLE MATERIALS WILL BE MEASURED FOR PAYMENT AS EARTH EXCAVATION AND MAY BE PROCESSED AND USED IN THE EMBANKMENT OR DISPOSED OF, IN ACCORDANCE WITH ARTICLE 202.03.

THE PHASE III CONSULTANT WILL BE RESPONSIBLE FOR THE RE-ESTABLISHMENT OF CONTROL AND TIE POINTS AS SHOWN ON THE ALIGNMENT AND TIES SHEETS. THE CONTRACTOR SHALL COORDINATE THE RE-ESTABLISHMENT OF EXISTING CONTROL AND TIE POINTS DISTURBED BY THE CONSTRUCTION ACTIVITIES WITH THE RESIDENT ENGINEER AND PHASE III CONSULTANT. EXISTING CONTROL AND TIE POINT LOCATIONS THAT ARE CONSIDERED NOT VIABLE UNDER THE FINAL CONDITIONS MAY BE RE-ESTABLISHED AT A MORE FEASIBLE LOCATION, AS APPROVED BY THE RESIDENT ENGINEER. THE PHASE III CONSULTANT SHALL SUBMIT DOCUMENTATION OF ALL RE-ESTABLISHED CONTROL AND TIE POINTS TO THE DEPARTMENT NO LATER THAN ONE (1) MONTH AFTER COMPLETION OF THE CONTRACT.

REMOVAL OF PAVEMENT MARKER REFLECTORS AS REQUIRED FOR TRAFFIC STAGING SHALL BE CONSIDERED INCIDENTAL TO THE COST OF MAINTENANCE OF TRAFFIC.

PRIOR TO THE INSTALLATION OF TOPSOIL, REGARDLESS OF SLOPE, THE SUBGRADE SHALL BE SURFACE ROUGHENED BY A TRACKED VEHICLE NO MORE THAN 7 DAYS PRIOR TO PLACEMENT, THIS WORK SHALL BE INCLUDED IN THE COST OF "TOPSOIL, FURNISH AND PLACE".

PLAN DIMENSIONS RELATIVE TO EXISTING STRUCTURES HAVE BEEN TAKEN FROM EXISTING PLANS AND AS SUCH ARE SUBJECT TO NOMINAL CONSTRUCTION VARIATIONS. THE CONTRACTOR SHALL VERIFY SUCH DIMENSIONS IN THE FIELD AND MAKE NECESSARY ADJUSTMENTS UPON APPROVAL OF THE ENGINEER.

THE CONTRACTOR SHALL VERIFY THE ELEVATIONS SHOWN IN THE PLANS WHERE THE PROPOSED PROFILE MEETS THE EXISTING PAVEMENT EDGE AND PRESENT THE RESULTS TO THE RESIDENT ENGINEER PRIOR TO THE FINAL GRADING. THE INFORMATION SHOWN IN THE PLAN IS DERIVED FROM DIGITAL IMAGERY AND MAY NEED TO BE ADJUSTED TO ENSURE A SMOOTH PROFILE AT THE MATCH LOCATION.

THE PHASES USED IN THE DRAWINGS ARE WITH REFERENCE TO THE OVERALL I-80/94 PROJECT AS FOLLOWS: PHASE I - CONSTRUCTION IN 2004; PHASE II - CONSTRUCTION IN 2005 AND PHASE III - CONSTRUCTION IN 2006.

THE CONTRACTOR SHALL SCHEDULE A PERIOD OF TIME (MINIMUM OF 5 WORKING DAYS) BETWEEN THE PLACEMENT OF THE SUB-BASE GRANULAR MATERIAL AND STABILIZED SUB-BASE 150MM TO ALLOW THE HIGHWAY LIGHTING AND SURVEILLANCE CONTRACTOR TIME TO INSTALL THE VEHICLE DETECTION SYSTEM.

GENERAL NOTES - DRAINAGE

BEFORE FINAL ACCEPTANCE OF THE PROJECT, ALL PROPOSED STORM SEWER LINES SHALL BE CLEANED AS DIRECTED BY THE ENGINEER. THE COST FOR THIS WORK IS CONSIDERED INCLUDED IN THE CONTRACT UNIT PRICE BID FOR STORM SEWERS OF THE TYPE, CLASS AND DIAMETER SPECIFIED.

REMOVAL OF MANHOLES, CATCH BASINS, INLETS, AND DRAINAGE STRUCTURES SHALL BE PAID AT THE CONTRACT UNIT PRICE EACH FOR "REMOVING MANHOLES", "REMOVING CATCH BASINS", "REMOVING INLETS", AND "DRAINAGE STRUCTURE TO BE REMOVED", REGARDLESS OF SHAPE, DEPTH, OR SIZE OF THE STRUCTURE AND SHALL INCLUDE REMOVAL OF ANY ATTACHED SLOTTED DRAIN.

WHERE EXISTING STORM SEWERS THAT ARE TO BE REMOVED AND ARE CONNECTED TO ANOTHER STRUCTURE OR SEWER THAT IS TO REMAIN IN PLACE, THE OPENING SHALL BE PLUGGED WITH SI CONCRETE. THE PLUGS SHALL NOT BE PAID FOR SEPARATELY BUT WILL BE INCLUDED IN THE UNIT BID PRICE FOR "STORM SEWER REMOVAL OF THE DIAMETER SPECIFIED".

PROPOSED STRUCTURES WITHIN THE SUB-GRADE AREA MAY TEMPORARILY BE PLATED (WITHOUT THE FRAME AND GRATE OR FRAME AND LID) TO FACILITATE THE CONSTRUCTION OPERATIONS. PLATES SHALL MEET THE APPROVAL OF THE ENGINEER, THE COST FOR MATERIALS, INSTALLATION, REMOVAL OF THE PLATES, AND SUBSEQUENT CONSTRUCTION OF THE STRUCTURE TO ITS FINISHED HEIGHT SHALL NOT BE PAID FOR SEPARATELY BUT WILL BE INCLUDED IN THE CONTRACT UNIT PRICE FOR THE DRAINAGE STRUCTURE.

REMOVAL OF COMBINED OR SANITARY SEWERS WILL BE PAID AT THE CONTRACT UNIT PRICE PER METER FOR "STORM SEWER REMOVAL", OF THE DIAMETER SPECIFIED.

TEMPORARY STORM SEWER PLUGS INSTALLED AND REMOVED IN THIS CONTRACT FOR STAGING PURPOSES WILL NOT BE PAID FOR SEPARATELY BUT WILL BE INCIDENTAL TO THE COST OF THE PROPOSED STORM SEWER.

BEFORE ORDERING: STORM SEWERS, CATCH BASINS, PIPE CULVERTS, PIPE DRAINS, MANHOLES, AND CULVERTS; THE CONTRACTOR SHALL CONFIRM THE EXACT LENGTH AND QUANTITY REQUIRED FROM FIELD MEASUREMENTS.

DRAINAGE NOTES FOR MWRD COMBINED SEWER NETWORKS

THE MWRD LOCAL SEWER SYSTEMS SECTION FIELD OFFICE MUST BE NOTIFIED AT LEAST TWO (2) WORKING DAYS PRIOR TO THE COMMENCEMENT OF ANY WORK (CALL 708-588-4055).

ALL DOWNSPOUTS AND FOOTING DRAINS SHALL DISCHARGE TO THE STORM SEWER SYSTEM.

ALL SANITARY SEWER PIPE MATERIALS AND JOINTS (AND STORM SEWER PIPE MATERIALS AND JOINTS IN A COMBINED SEWER AREA) SHALL CONFORM TO:

PIPE MATERIAL SPEC.	JOINT SPEC.
VITRIFIED CLAY PIPE	
VCP C-700	C-425
VCP (NO-BEL) C-700	
JOINT	C-425
COLLAR	D-1784
CONCRETE PIPE C-14	C-443
RCP C-76	C-443
ACP C-428	D-1869
ABS SEWER PIPE	
SOLID WALL 6" DIA. SDR 23.5	
ABS D-2751	D-2751
ABS COMPOSITE/TRUSS PIPE	
8"-15" DIA.	
ABS D-2680	D-2680
PVC GRAVITY SEWER PIPE	
6"-15" DIA. SDR 26	
D-3034	D-3212 OR D-2855
18"-27" DIA. F/DY=46	
F-679	D-3212 OR D-2855
CISP A-74	C-564
DIP A-21.51	A-21.11

ALL SANITARY SEWER CONSTRUCTION (AND STORM SEWER CONSTRUCTION IN COMBINED SEWER AREAS), REQUIRES STONE BEDDING WITH STONE 6 MM TO 25 MM IN SIZE, WITH MINIMUM BEDDING THICKNESS EQUAL TO ONE FOURTH THE OUTSIDE DIAMETER OF THE SEWER PIPE, BUT NOT LESS THAN 100 MM NOR MORE THAN 200 MM. MATERIAL SHALL BE CA-11 OR CA-13 AND SHALL BE EXTENDED AT LEAST 300 MM ABOVE THE TOP OF THE PIPE WHEN USING PVC.

"BAND SEAL" OR SIMILAR FLEXIBLE-TYPE COUPLINGS SHALL BE USED IN THE CONNECTION OF SEWER PIPES OF DISSIMILAR MATERIALS.

WHEN CONNECTING TO AN EXISTING SEWER MAIN BY MEANS OTHER THAN AN EXISTING WYE, TEE, OR AN EXISTING MANHOLE, ONE OF THE FOLLOWING METHODS SHALL BE USED:

1. CIRCULAR SAW-CUT OF SEWER MAIN BY PROPER TOOLS ("SEWER-TAP" MACHINE OR SIMILAR) AND PROPER INSTALLATION OF HUBWYE SADDLE OR HUB-TEE SADDLE.
2. REMOVE AN ENTIRE SECTION OF PIPE (BREAKING ONLY THE TOP OF ONE BELL) AND REPLACE WITH A WYE OR TEE BRANCH SECTION.
3. WITH PIPE CUTTER, NEATLY AND ACCURATELY CUT OUT DESIRED LENGTH OF PIPE FOR INSERTION OF PROPER FITTING, USING "BAND SEAL" OR SIMILAR COUPLINGS TO HOLD IT FIRMLY IN PLACE.

WHENEVER A SANITARY/COMBINED SEWER CROSSES UNDER A WATERMAIN, THE MINIMUM VERTICAL DISTANCE FROM THE TOP OF THE SEWER TO THE BOTTOM OF THE WATERMAIN SHALL BE 460 MM. FURTHERMORE, A MINIMUM HORIZONTAL DISTANCE OF 3.1 METERS BETWEEN SANITARY/COMBINED SEWERS AND WATERMANS SHALL BE MAINTAINED UNLESS: THE SEWER IS LAID IN A SEPARATE TRENCH, KEEPING A MINIMUM 460 MM VERTICAL SEPARATION; OR THE SEWER IS LAID IN THE SAME TRENCH WITH THE WATERMAIN LOCATED AT THE OPPOSITE SIDE ON A BENCH OF UNDISTURBED EARTH, KEEPING A MINIMUM 460 MM VERTICAL SEPARATION. IF EITHER THE VERTICAL OR HORIZONTAL DISTANCES DESCRIBED ABOVE CANNOT BE MAINTAINED, OR THE SEWER CROSSES ABOVE THE WATERMAIN, THE SEWER SHALL BE CONSTRUCTED TO WATERMAIN STANDARDS.

ALL EXISTING SEPTIC SYSTEMS SHALL BE ABANDONED. ABANDONED TANKS SHALL BE FILLED WITH GRANULAR MATERIAL OR REMOVED.

ALL SANITARY MANHOLES, (AND STORM MANHOLES IN COMBINED SEWER AREAS), SHALL HAVE A MINIMUM INSIDE DIAMETER OF 1.2 METERS, AND SHALL BE CAST IN PLACE OR PRE-CAST REINFORCED CONCRETE.

GENERAL NOTES - EROSION CONTROL

THE CONTRACTOR SHALL COORDINATE THE WORK TO ALLOW THE EXIST GROUND COVER TO REMAIN IN AREAS WITHIN THE CONTRACT LIMITS NOT PROPOSED FOR CONSTRUCTION.

GENERAL NOTES - UTILITIES

BEFORE STARTING ANY EXCAVATION, THE CONTRACTOR SHALL CALL "J.U.L.I.E." AT (800) 892-0123 FOR FIELD LOCATIONS OF BURIED ELECTRIC, TELEPHONE AND GAS FACILITIES IN ILLINOIS AND CALL "I.U.P.P.S." AT (800) 382-5544 IN INDIANA (48-HOUR NOTIFICATION IS REQUIRED).

BEFORE STARTING ANY EXCAVATION, THE CONTRACTOR SHALL CALL TROY BOYD AT THE BORMAN TRAFFIC MANAGEMENT CENTER AT (219)939-3650.

THE CONTRACTOR SHALL INVITE ALL INDIANA UTILITIES TO THE PRE-CONSTRUCTION MEETING. CONTACT INFORMATION IS PROVIDED ON INDEX OF SHEETS AND HIGHWAY STANDARDS SHEET.

COMMITMENTS

THE EMERGENCY ACCESS TO INTERSTATE 80/94 WILL BE MAINTAINED AT ALL TIMES. ACCESS GATES OR OTHER INGRESS CONTROL WILL ALSO BE MAINTAINED DURING CONSTRUCTION. THERE ARE TWO EXISTING EMERGENCY ACCESS GATES TO INTERSTATE 80/94.

THE CONSTRUCTION OF ROADSIDE DRAINAGE SWALES MUST NOT INTERCEPT GROUNDWATER LEVEL. ROADSIDE SWALES ARE CONSTRUCTED WITHIN THE INTERCHANGE AREAS ARE TO ACCEPT ROADWAY DRAINAGE ONLY. THE TOPSOIL IN THE PERMANENT CONSTRUCTION ZONES WILL BE SEGREGATED FOR POTENTIAL RE-USE WITHIN THE TEMPORARY WORK AREAS AFTER CONSTRUCTION IS COMPLETE.

REVISIONS	
NAME	DATE

ILLINOIS DEPARTMENT OF TRANSPORTATION
 I-80/94/US 6
 KINGERY-BORMAN EXPRESSWAY
 BURNHAM ROAD TO US 41

GENERAL NOTES

SCALE _____ DRAWN BY ACE/CAD
 DATE 07/05 CHECKED BY TAE

AMERICAN
 CONSULTING ENGINEERS

SUMMARY OF QUANTITIES

F.A.I. RTE.	SECTION	COUNTY	TOTAL SHEETS	SHEET NO.
80/94	2626.2-R-2	COOK/LAKE	1207	4
STA.		TO STA.		
FED. ROAD DIST. NO.		ILLINOIS FED. AID PROJECT		
CONTRACT NO. 62114		INDOT DES. NO. 0100987		

CODE NO.	ITEM	UNIT	URBAN TOTAL QUANTITY	ROADWAY	LIGHTING-	SURVEIL-	SIGNING	ROADWAY	LIGHTING	SURVEIL-	SIGNING	VILLAGE	CONSTRUCTION TYPE CODE			
				ILLINOIS	ILLINOIS	LANCE ILLINOIS	ILLINOIS	INDIANA	INDIANA	LANCE INDIANA	INDIANA	INDIANA	INDIANA	INDIANA	INDIANA	INDIANA
				J000-2A	Y030-1E	Y032-1F	Y002-1C	J000-2A	Y030-1E	Y032-1F	Y002-1C	Y060				
20100210	TREE REMOVAL (OVER 15 UNITS DIAMETER)	UNIT	120	120	0	0	0	0	0	0	0	0				
20101100	TREE TRUNK PROTECTION	EACH	10	0	0	0	0	10	0	0	0	0				
28000300	TEMPORARY DITCH CHECKS	EACH	11	4	0	0	0	7	0	0	0	0				
28000500	INLET AND PIPE PROTECTION	EACH	8	0	0	0	0	8	0	0	0	0				
28000510	INLET FILTERS	EACH	188	85	0	0	0	103	0	0	0	0				
42001700	FURNISH PROFILOGRAPH	L SUM	1	1	0	0	0	0	0	0	0	0				
50104400	CONCRETE HEADWALL REMOVAL	EACH	1	1	0	0	0	0	0	0	0	0				
51500100	NAME PLATES	EACH	5	5	0	0	0	0	0	0	0	0				
60100060	CONCRETE HEADWALL FOR PIPE DRAINS	EACH	4	0	0	0	0	4	0	0	0	0				
60207605	CATCH BASINS, TYPE C, TYPE 8 GRATE	EACH	1	1	0	0	0	0	0	0	0	0				
60250200	CATCH BASINS TO BE ADJUSTED	EACH	10	10	0	0	0	0	0	0	0	0				
60260100	INLETS TO BE ADJUSTED	EACH	1	0	0	0	0	1	0	0	0	0				
60266500	VALVE VAULTS TO BE REMOVED	EACH	1	0	0	0	0	0	0	0	0	1				
60266910	VALVE BOXES TO BE REMOVED	EACH	1	0	0	0	0	0	0	0	0	1				
60300105	FRAMES AND GRATES TO BE ADJUSTED	EACH	2	0	0	0	0	2	0	0	0	0				
60405740	FRAMES AND GRATES TO BE REMOVED	EACH	12	8	0	0	0	4	0	0	0	0				
60500040	REMOVING MANHOLES	EACH	16	7	0	0	0	8	0	0	0	1				
60500050	REMOVING CATCH BASINS	EACH	44	29	0	0	0	15	0	0	0	0				
60500060	REMOVING INLETS	EACH	110	30	0	0	0	80	0	0	0	0				
60500105	FILLING MANHOLES	EACH	2	2	0	0	0	0	0	0	0	0				
* 66900450	SPECIAL WASTE PLANS AND REPORT	L SUM	1	1	0	0	0	0	0	0	0	0				
* 66900530	SOIL DISPOSAL ANALYSIS	EACH	1	1	0	0	0	0	0	0	0	0				
67100100	MOBILIZATION	L SUM	1	.33	0	0	0	.67	0	0	0	0				
70101800	TRAFFIC CONTROL AND PROTECTION (SPECIAL)	L SUM	1	.33	0	0	0	.67	0	0	0	0				
73600100	REMOVE OVERHEAD SIGN STRUCTURE - SPAN	EACH	1	0	0	0	0	0	0	0	1	0				
73700100	REMOVE GROUND-MOUNTED SIGN SUPPORT	EACH	2	0	0	0	0	0	0	0	2	0				
73700200	REMOVE CONCRETE FOUNDATION - GROUND MOUNT	EACH	2	0	0	0	0	0	0	0	2	0				
73700300	REMOVE CONCRETE FOUNDATION - OVERHEAD	EACH	2	0	0	0	0	0	0	0	2	0				
* 78100100	RAISED REFLECTIVE PAVEMENT MARKER	EACH	812	812	0	0	0	0	0	0	0	0				
* 78200100	MONODIRECTIONAL PRISMATIC BARRIER REFLECTOR	EACH	2086	888	0	0	0	1198	0	0	0	0				
* 78200530	BARRIER WALL MARKERS, TYPE C	EACH	112	112	0	0	0	0	0	0	0	0				
* 81400200	HEAVY-DUTY HANDHOLE	EACH	14	0	0	0	0	0	0	14	0	0				
* 84200700	LIGHTING FOUNDATION REMOVAL	EACH	24	17	0	0	0	7	0	0	0	0				

- SPECIALTY ITEMS
- • 100% STATE
- • • 100% INDIANA
- • • • 100% VILLAGE OF LANSING

REVISIONS	
NAME	DATE

ILLINOIS DEPARTMENT OF TRANSPORTATION
I-80/94/US 6
KINGERY-BORMAN EXPRESSWAY
BURNHAM ROAD TO US 41

SUMMARY OF QUANTITIES

SCALE _____ DATE 07/05 _____ DRAWN BY ACE/CAD
CHECKED BY TAE

AMERICAN
CONSULTING ENGINEERS

SUMMARY OF QUANTITIES

F.A.I. RTE. 80/94	SECTION 2626.2-R-2	COUNTY COOK/LAKE	TOTAL SHEETS 1207	SHEET NO. 5
STA.		TO STA.		
FED. ROAD DIST. NO.		ILLINOIS FED. AID PROJECT		
CONTRACT NO. 62114		INDOT DES. NO. 0100987		

CODE NO.	ITEM	UNIT	URBAN TOTAL QUANTITY	ROADWAY	LIGHTING-	SURVEIL-	SIGNING	ROADWAY	LIGHTING	SURVEIL-	SIGNING	VILLAGE		
				ILLINOIS	ILLINOIS	LANCE ILLINOIS	ILLINOIS	INDIANA	INDIANA	LANCE INDIANA	INDIANA	OF LANSING		
				CONSTRUCTION TYPE CODE										
				J000-2A	Y030-1E	Y032-1F	Y002-1C	J000-2A	Y030-1E	Y032-1F	Y002-1C	Y060		
* 89502380	REMOVE EXISTING HANDHOLE	EACH	3	0	0	0	0	3	0	0	0	0		
M2010500	TREE REMOVAL, HECTARES	HA	1.7	0	0	0	0	1.7	0	0	0	0		
M2020010	EARTH EXCAVATION	CU M	1034.3	1034.3	0	0	0	0	0	0	0	0		
M2021200	REMOVAL AND DISPOSAL OF UNSUITABLE MATERIAL	CU M	1904.6	1904.6	0	0	0	0	0	0	0	0		
M2040800	FURNISHED EXCAVATION	CU M	63340.2	63340.2	0	0	0	0	0	0	0	0		
M2070220	POROUS GRANULAR EMBANKMENT	CU M	185	185	0	0	0	0	0	0	0	0		
M2080150	TRENCH BACKFILL	CU M	9550.6	8327.5	0	0	0	0	0	0	0	1223.1		
M2101000	GEOTECHNICAL FABRIC FOR GROUND STABILIZATION	SQ M	58401	58401	0	0	0	0	0	0	0	0		
M2113100	TOPSOIL FURNISH AND PLACE, 100MM	SQ M	250	0	0	0	0	0	0	0	0	250		
M2113150	TOPSOIL FURNISH AND PLACE, 150MM	SQ M	10926	940	0	0	0	9986	0	0	0	0		
M2113300	TOPSOIL FURNISH AND PLACE, 300MM	SQ M	4640	4640	0	0	0	0	0	0	0	0		
M2114100	COMPOST FURNISH AND PLACE, 100MM	SQ M	4632	4632	0	0	0	0	0	0	0	0		
M2130201	EXPLORATION TRENCH 2.1 METER DEPTH	METER	140	90	0	0	0	0	0	0	0	50		
M2500210	SEEDING, CLASS 2A	HA	3.13	.1	0	0	0	3	0	0	0	.03		
M2500400	NITROGEN FERTILIZER NUTRIENT	KG	341	41	0	0	0	297	0	0	0	3		
M2500500	PHOSPHORUS FERTILIZER NUTRIENT	KG	341	41	0	0	0	297	0	0	0	3		
M2500600	POTASSIUM FERTILIZER NUTRIENT	KG	341	41	0	0	0	297	0	0	0	3		
M2500750	MOWING	HA	1.3	1.3	0	0	0	0	0	0	0	0		
M2510125	MULCH, METHOD 3	HA	.03	0	0	0	0	0	0	0	0	.03		
M2510630	EROSION CONTROL BLANKET	SQ M	52071	4552	0	0	0	47519	0	0	0	0		
M2520110	SODDING, SALT TOLERANT	SQ M	4473	4473	0	0	0	0	0	0	0	0		
M2520200	SUPPLEMENTAL WATERING	UNIT	581	581	0	0	0	0	0	0	0	0		
M2800250	TEMPORARY EROSION CONTROL SEEDING	KG	625	50	0	0	0	575	0	0	0	0		
M2810101	STONE RIPRAP, CLASS A1	SQ M	72	72	0	0	0	0	0	0	0	0		
M2810107	STONE RIPRAP, CLASS A4	SQ M	72	72	0	0	0	0	0	0	0	0		
M2820200	FILTER FABRIC	SQ M	231	231	0	0	0	0	0	0	0	0		
M3111300	SUB-BASE GRANULAR MATERIAL, TYPE B 300MM	SQ M	58401	58401	0	0	0	0	0	0	0	0		
M3120150	STABILIZED SUB-BASE 150MM	SQ M	58401	58401	0	0	0	0	0	0	0	0		
M3511010	AGGREGATE BASE COURSE, TYPE B	M TON	1780.9	1611.9	0	0	0	0	0	0	0	169		
M4210360	CONTINUOUSLY REINFORCED PORTLAND CEMENT CONCRETE PAVEMENT 360MM	SQ M	41475	41475	0	0	0	0	0	0	0	0		
M4214360	PAVEMENT REINFORCEMENT 360MM	SQ M	41475	41475	0	0	0	0	0	0	0	0		
M4217180	LUG SYSTEM COMPLETE 18 METER	EACH	3	3	0	0	0	0	0	0	0	0		
M4218000	PROTECTIVE COAT	SQ M	32514	32514	0	0	0	0	0	0	0	0		

- SPECIALTY ITEMS
- • 100% STATE
- • • 100% INDIANA
- • • • 100% VILLAGE OF LANSING

REVISIONS	
NAME	DATE

ILLINOIS DEPARTMENT OF TRANSPORTATION
I-80/94/US 6
KINGERY-BORMAN EXPRESSWAY
BURNHAM ROAD TO US 41

SUMMARY OF QUANTITIES

SCALE: _____ DATE: 07/05

DRAWN BY ACE/CAD
CHECKED BY TAE

AMERICAN
CONSULTING ENGINEERS

Rev.

SUMMARY OF QUANTITIES

F.A.I. RTE.	SECTION	COUNTY	TOTAL SHEETS	SHEET NO.
80/94	2626.2-R-2	COOK/LAKE	1207	6
STA.		TO STA.		
FED. ROAD DIST. NO.		ILLINOIS	FED. AID PROJECT	
CONTRACT NO. 62114		INDOT DES. NO. 0100987		

CODE NO.	ITEM	UNIT	URBAN TOTAL QUANTITY	ROADWAY	LIGHTING-	SURVEIL-	SIGNING	ROADWAY	LIGHTING	SURVEIL-	SIGNING	VILLAGE			
				ILLINOIS	ILLINOIS	LANCE ILLINOIS	ILLINOIS	INDIANA	INDIANA	LANCE INDIANA	INDIANA	OF LANSING			
				CONSTRUCTION TYPE CODE											
				J000-2A	Y030-1E	Y032-1F	Y002-1C	J000-2A	Y030-1E	Y032-1F	Y002-1C	Y060			
M4230200	PORTLAND CEMENT CONCRETE DRIVEWAY PAVEMENT, 200MM	SQ M	1019	1019	0	0	0	0	0	0	0	0			
M4243000	PORTLAND CEMENT CONCRETE SIDEWALK, SPECIAL	SQ M	3.82	3.82	0	0	0	0	0	0	0	0			
M4401000	BITUMINOUS SURFACE REMOVAL (VARIABLE DEPTH)	SQ M	485	485	0	0	0	0	0	0	0	0			
M4402000	PAVEMENT REMOVAL	SQ M	83633	36900	0	0	0	46508	0	0	0	0	225		
M4402010	DRIVEWAY PAVEMENT REMOVAL	SQ M	37	37	0	0	0	0	0	0	0	0	0		
M4402040	COMBINATION CURB AND GUTTER REMOVAL	METER	1036.7	9.5	0	0	0	967.2	0	0	0	0	60		
M4402050	SIDEWALK REMOVAL	SQ M	252	18	0	0	0	234	0	0	0	0	0		
M4402060	APPROACH SLAB REMOVAL	SQ M	2321	0	0	0	0	2321	0	0	0	0	0		
M4402280	CONCRETE BARRIER REMOVAL	METER	1405	733	0	0	0	672	0	0	0	0	0		
M4402530	PAVED SHOULDER REMOVAL	SQ M	19434	6412	0	0	0	13022	0	0	0	0	0		
M4402540	PAVEMENT BREAKING	SQ M	8416	8416	0	0	0	0	0	0	0	0	0		
M4428420	CLASS D PATCHES, TYPE IV, 200MM	SQ M	99	38	0	0	0	61	0	0	0	0	0		
M4428450	CLASS D PATCHES, TYPE IV, 350MM	SQ M	415	82	0	0	0	333	0	0	0	0	0		
M4830360	PORTLAND CEMENT CONCRETE SHOULDERS - 360MM	SQ M	15836	15836	0	0	0	0	0	0	0	0	0		
M5010240	CONCRETE REMOVAL	CU M	429.7	0	0	0	0	429.7	0	0	0	0	0		
M5020100	STRUCTURE EXCAVATION	CU M	535	535	0	0	0	0	0	0	0	0	0		
M542C212	REINFORCED CONCRETE PIPE TEE, 300MM PIPE WITH 300MM RISER	EACH	1	1	0	0	0	0	0	0	0	0	0		
M542C228	REINFORCED CONCRETE PIPE TEE, 600MM PIPE WITH 300MM RISER	EACH	1	1	0	0	0	0	0	0	0	0	0		
M542C236	REINFORCED CONCRETE PIPE TEE, 750MM PIPE WITH 300MM RISER	EACH	2	2	0	0	0	0	0	0	0	0	0		
M542C252	REINFORCED CONCRETE PIPE TEE, 1200MM PIPE WITH 300MM RISER	EACH	6	6	0	0	0	0	0	0	0	0	0		
M542C348	REINFORCED CONCRETE PIPE TEE, 1200MM PIPE WITH 375MM RISER	EACH	1	1	0	0	0	0	0	0	0	0	0		
M5502840	STORM SEWERS, TYPE 1, REINFORCED CONCRETE CULVERT, STORM DRAIN, AND SEWER PIPE, CLASS IV 300MM	METER	554.8	487.2	0	0	0	67.6	0	0	0	0	0		
M5502850	STORM SEWERS, TYPE 1, REINFORCED CONCRETE CULVERT, STORM DRAIN, AND SEWER PIPE, CLASS IV 375MM	METER	28.4	28.4	0	0	0	0	0	0	0	0	0		
M5502860	STORM SEWERS, TYPE 1, REINFORCED CONCRETE CULVERT, STORM DRAIN, AND SEWER PIPE, CLASS IV 450MM	METER	199.1	199.1	0	0	0	0	0	0	0	0	0		
M5502880	STORM SEWERS, TYPE 1, REINFORCED CONCRETE CULVERT, STORM DRAIN, AND SEWER PIPE, CLASS IV 600MM	METER	279.8	279.8	0	0	0	0	0	0	0	0	0		
M5502900	STORM SEWERS, TYPE 1, REINFORCED CONCRETE CULVERT, STORM DRAIN, AND SEWER PIPE, CLASS III 750MM	METER	638.5	638.5	0	0	0	0	0	0	0	0	0		
M5502920	STORM SEWERS, TYPE 1, REINFORCED CONCRETE CULVERT, STORM DRAIN, AND SEWER PIPE, CLASS III 900MM	METER	149.4	149.4	0	0	0	0	0	0	0	0	0		
M5502990	STORM SEWERS, TYPE 1, REINFORCED CONCRETE CULVERT, STORM DRAIN, AND SEWER PIPE, CLASS I 1950MM	METER	88.2	88.2	0	0	0	0	0	0	0	0	0		
M5503050	STORM SEWERS, TYPE 2, REINFORCED CONCRETE CULVERT, STORM DRAIN, AND SEWER PIPE, CLASS III, 300MM	METER	62.9	62.9	0	0	0	0	0	0	0	0	0		
M5503060	STORM SEWERS, TYPE 2, REINFORCED CONCRETE CULVERT, STORM DRAIN, AND SEWER PIPE, CLASS III, 375MM	METER	77.4	77.4	0	0	0	0	0	0	0	0	0		
M5503111	STORM SEWERS, TYPE 2, REINFORCED CONCRETE CULVERT, STORM DRAIN, AND SEWER PIPE, CLASS III, 750MM	METER	122.8	122.8	0	0	0	0	0	0	0	0	0		
M5503150	STORM SEWERS, TYPE 2, REINFORCED CONCRETE CULVERT, STORM DRAIN, AND SEWER PIPE, CLASS III, 1200MM	METER	340	340	0	0	0	0	0	0	0	0	0		
M5503190	STORM SEWERS, TYPE 2, REINFORCED CONCRETE CULVERT, STORM DRAIN, AND SEWER PIPE, CLASS II, 1800MM	METER	117.2	117.2	0	0	0	0	0	0	0	0	0		

- SPECIALTY ITEMS
- • 100% STATE
- • • 100% INDIANA
- • • • 100% VILLAGE OF LANSING

REVISIONS	
NAME	DATE

ILLINOIS DEPARTMENT OF TRANSPORTATION
I-80/94/US 6
KINGERY-BORMAN EXPRESSWAY
BURNHAM ROAD TO US 41
SUMMARY OF QUANTITIES

SCALE _____ DATE 07/05 DRAWN BY ACE/CAD CHECKED BY TAE



SUMMARY OF QUANTITIES

F.A.I. RTE.	SECTION	COUNTY	TOTAL SHEETS	SHEET NO.
80/94	2626.2-R-2	COOK/LAKE	1207	7
STA.		TO STA.		
FED. ROAD DIST. NO.		ILLINOIS	FED. AID PROJECT	
CONTRACT NO. 62114		INDOT DES. NO. 0100987		

CODE NO.	ITEM	UNIT	URBAN TOTAL QUANTITY	CONSTRUCTION TYPE CODE								VILLAGE OF LANSING *****	LAUSING Y007 *****			
				ROADWAY ILLINOIS ..	LIGHTING- ILLINOIS ..	SURVEIL- LANCE ILLINOIS ..	SIGNING ILLINOIS ..	ROADWAY INDIANA ..	LIGHTING INDIANA ..	SURVEIL- LANCE INDIANA ..	SIGNING INDIANA ..			Y000-2A	Y030-1E	Y032-1F
M5503200	STORM SEWERS, TYPE 2, REINFORCED CONCRETE CULVERT, STORM DRAIN, AND SEWER PIPE, CLASS II, 1950MM	METER	203.4	203.4	0	0	0	0	0	0	0	0	0	0		
M5504800	STORM SEWERS TO BE CLEANED	METER	944	0	0	0	0	0	944	0	0	0	0	0		
M5505570	STORM SEWERS, RUBBER GASKET, CLASS A, TYPE 1 600MM	METER	12	0	0	0	0	0	0	0	0	0	0	12		
M5510015	STORM SEWER REMOVAL 200MM	METER	63.9	63.9	0	0	0	0	0	0	0	0	0	0		
M5510025	STORM SEWER REMOVAL 300MM	METER	2387.2	1078.4	0	0	0	0	1281.8	0	0	0	0	27		
M5510035	STORM SEWER REMOVAL 375MM	METER	462.5	136.5	0	0	0	0	326	0	0	0	0	0		
M5510045	STORM SEWER REMOVAL 450MM	METER	222.3	0	0	0	0	0	222.3	0	0	0	0	0		
M5510060	STORM SEWER REMOVAL 600MM	METER	159.6	0	0	0	0	0	88.9	0	0	0	0	70.7		
M5510070	STORM SEWER REMOVAL 750MM	METER	37.4	0	0	0	0	0	37.4	0	0	0	0	0		
M5510100	STORM SEWER REMOVAL 1350MM	METER	56	56	0	0	0	0	0	0	0	0	0	0		
* M5611210	TAPPING VALVES AND SLEEVES 150MM	EACH	1	0	0	0	0	0	0	0	0	0	0	1		
M6010110	PIPE DRAINS 150MM	METER	33.1	0	0	0	0	0	33.1	0	0	0	0	0		
M6010610	PIPE UNDERDRAINS 150MM	METER	4204.5	4204.5	0	0	0	0	0	0	0	0	0	0		
M6021410	MANHOLES, TYPE A, 1.2M DIAMETER, TYPE 1 FRAME, CLOSED LID	EACH	5	5	0	0	0	0	0	0	0	0	0	0		
M6021610	MANHOLES, TYPE A, 1.5M DIAMETER, TYPE 1 FRAME, CLOSED LID	EACH	3	3	0	0	0	0	0	0	0	0	0	0		
M6021810	MANHOLES, TYPE A, 1.8M DIAMETER, TYPE 1 FRAME, CLOSED LID	EACH	3	3	0	0	0	0	0	0	0	0	0	0		
* M6024410	VALVE VAULTS, TYPE A, 1.5M DIAMETER, TYPE 1 FRAME, CLOSED LID	EACH	1	0	0	0	0	0	0	0	0	0	0	1		
M6060500	COMBINATION CONCRETE CURB AND GUTTER, TYPE B-15.30	METER	60	0	0	0	0	0	0	0	0	0	0	60		
M6061500	COMBINATION CONCRETE CURB AND GUTTER, TYPE B-22.45	METER	13	13	0	0	0	0	0	0	0	0	0	0		
M6063610	CONCRETE MEDIAN SURFACE, 100MM (SPECIAL)	SQ M	125	125	0	0	0	0	0	0	0	0	0	0		
M6320030	GUARDRAIL REMOVAL	METER	1227.9	340	0	0	0	0	887.9	0	0	0	0	0		
M6370175	CONCRETE BARRIER, SINGLE FACE, 1065 MM HEIGHT	METER	125.8	125.8	0	0	0	0	0	0	0	0	0	0		
M6370275	CONCRETE BARRIER, DOUBLE FACE, 1065 MM HEIGHT	METER	1053.2	1053.2	0	0	0	0	0	0	0	0	0	0		
M6370805	CONCRETE BARRIER TRANSITION	METER	35.2	35.2	0	0	0	0	0	0	0	0	0	0		
M6371050	BARRIER BASE	METER	1327	1327	0	0	0	0	0	0	0	0	0	0		
* M6380600	MODULAR GLARE SCREEN SYSTEM	METER	4881	1686	0	0	0	0	3195	0	0	0	0	0		
M6420015	SHOULDER RUMBLE STRIP	METER	4552	4552	0	0	0	0	0	0	0	0	0	0		
* M6690100	BACKFILL PLUGS	CU M	7	7	0	0	0	0	0	0	0	0	0	0		
M6690400	SPECIAL WASTE GROUND WATER DISPOSAL	LITER	11088	11088	0	0	0	0	0	0	0	0	0	0		
M7030240	TEMPORARY PAVEMENT MARKING - LINE 150MM	METER	2175	2175	0	0	0	0	0	0	0	0	0	0		
M7030520	PAVEMENT MARKING TAPE, TYPE III 100MM	METER	17100.6	5396.6	0	0	0	0	11704	0	0	0	0	0		
M7030530	PAVEMENT MARKING TAPE, TYPE III 125MM	METER	3359.1	1347.6	0	0	0	0	2011.5	0	0	0	0	0		
M7030550	PAVEMENT MARKING TAPE, TYPE III 200MM	METER	328.3	0	0	0	0	0	328.3	0	0	0	0	0		

- SPECIALTY ITEMS
- • 100% STATE
- • • 100% INDIANA
- • • • 100% VILLAGE OF LANSING

REVISIONS	
NAME	DATE

ILLINOIS DEPARTMENT OF TRANSPORTATION
I-80/94/US 6
KINGERY-BORMAN EXPRESSWAY
BURNHAM ROAD TO US 41
SUMMARY OF QUANTITIES

SCALE: _____ DRAWN BY: ACE/CAD
DATE: 07/05 CHECKED BY: TAE



SUMMARY OF QUANTITIES

F.A.I. RTE.	SECTION	COUNTY	TOTAL SHEETS	SHEET NO.
80/94	2626.2-R-2	COOK/LAKE	1207	8
STA.		TO STA.		
FED. ROAD DIST. NO.		ILLINOIS	FED. AID PROJECT	
CONTRACT NO. 62114		INDOT DES. NO. 0100987		

CODE NO.	ITEM	UNIT	URBAN TOTAL QUANTITY	ROADWAY	LIGHTING-	SURVEIL-	SIGNING	ROADWAY	LIGHTING	SURVEIL-	SIGNING	VILLAGE		
				ILLINOIS	ILLINOIS	LANCE ILLINOIS	ILLINOIS	INDIANA	INDIANA	LANCE INDIANA	INDIANA	OF LANSING		
				CONSTRUCTION TYPE CODE										
				J000-2A	Y030-1E	Y032-1F	Y002-1C	J000-2A	Y030-1E	Y032-1F	Y002-1C	Y060		
* M7030560	PAVEMENT MARKING TAPE, TYPE III 300MM	METER	49	0	0	0	0	49	0	0	0	0		
* M7031000	WORK ZONE PAVEMENT MARKING REMOVAL	SQ M	2210	708	0	0	0	1502	0	0	0	0		
M7040100	TEMPORARY CONCRETE BARRIER	METER	2264	1385	0	0	0	879	0	0	0	0		
M7040210	RELOCATE TEMPORARY CONCRETE BARRIER (SPECIAL)	METER	8617.4	3561.6	0	0	0	5055.8	0	0	0	0		
* M7200100	SIGN PANEL - TYPE 1	SQ M	17	0	0	0	17	0	0	0	0	0		
* M7200200	SIGN PANEL - TYPE 2	SQ M	4	0	0	0	4	0	0	0	0	0		
* M7200300	SIGN PANEL - TYPE 3	SQ M	154	0	0	0	154	0	0	0	0	0		
* M7230100	INSTALL EXISTING SIGN PANEL	SQ M	9	0	0	0	9	0	0	0	0	0		
* M7240330	REMOVE SIGN PANEL - TYPE 3	SQ M	3	0	0	0	3	0	0	0	0	0		
* M7270100	STRUCTURAL STEEL SIGN SUPPORT - BREAKAWAY	KG	540	0	0	0	540	0	0	0	0	0		
* M7330020	OVERHEAD SIGN STRUCTURE - SPAN, TYPE II-A (1.37M X 1.60M)	METER	90.7	0	0	0	90.7	0	0	0	0	0		
* M7330030	OVERHEAD SIGN STRUCTURE - SPAN, TYPE III-A (1.53M X 2.14M)	METER	27	0	0	0	27	0	0	0	0	0		
* M7330500	OVERHEAD SIGN STRUCTURE WALKWAY	METER	66.6	0	0	0	66.6	0	0	0	0	0		
* M7340100	CONCRETE FOUNDATIONS	CU M	2.9	0	0	0	2.9	0	0	0	0	0		
* M7340200	DRILLED SHAFT CONCRETE FOUNDATIONS	CU M	56.4	0	0	0	56.4	0	0	0	0	0		
* M7800605	EPOXY PAVEMENT MARKING - LINE 100MM	METER	8795.1	2707.1	0	0	0	6088	0	0	0	0		
* M7800610	EPOXY PAVEMENT MARKING - LINE 125MM	METER	2099.4	812.6	0	0	0	1286.8	0	0	0	0		
* M7800620	EPOXY PAVEMENT MARKING - LINE 200MM	METER	1245	0	0	0	0	1245	0	0	0	0		
* M7800625	EPOXY PAVEMENT MARKING - LINE 300MM	METER	272	0	0	0	0	272	0	0	0	0		
* M7802010	POLYUREA PAVEMENT MARKING TYPE I - LINE 100MM	METER	4552.4	4552.4	0	0	0	0	0	0	0	0		
* M7802030	POLYUREA PAVEMENT MARKING TYPE I - LINE 300MM	METER	173.4	173.4	0	0	0	0	0	0	0	0		
M7830100	PAVEMENT MARKING REMOVAL	SQ M	911	169	0	0	0	742	0	0	0	0		
* M8100260	CONDUIT IN TRENCH, 50MM DIA., PVC	METER	1029	0	0	0	0	0	1029	0	0	0		
* M8100300	CONDUIT IN TRENCH, 100MM DIA., PVC	METER	2974	0	0	126	0	0	104	2744	0	0		
* M8120120	CONDUIT EMBEDDED IN STRUCTURE, 50 MM DIA. GALVANIZED STEEL	METER	58	0	0	8	0	0	50	0	0	0		
* M8120130	CONDUIT EMBEDDED IN STRUCTURE, 65 MM DIA. GALVANIZED STEEL	METER	96	0	0	96	0	0	0	0	0	0		
* M8120230	CONDUIT EMBEDDED IN STRUCTURE, 50 MM DIA. PVC	METER	492	0	0	0	0	0	492	0	0	0		
* M8120270	CONDUIT EMBEDDED IN STRUCTURE, 100 MM DIA. PVC	METER	50	0	0	42	0	0	0	8	0	0		
* M8130203	JUNCTION BOX, STAINLESS STEEL, ATTACHED TO STRUCTURE, 300MM X 610MM X 200MM	EACH	4	0	0	0	0	0	0	4	0	0		
* M8131400	JUNCTION BOX, NON-METALLIC, EMBEDDED IN STRUCTURE, 525MM X 275MM X 200MM	EACH	19	0	0	0	0	0	19	0	0	0		
* M8150200	TRENCH AND BACKFILL FOR ELECTRICAL WORK	METER	2673	0	0	582	0	0	719	1372	0	0		
* MX030063	STORM SEWER (WATER MAIN REQUIREMENTS) 300MM	METER	27	0	0	0	0	0	0	0	0	27		
* MX030110	REMOVE AND PLUG ABANDONED WATER MAIN	METER	235.2	0	0	0	0	0	0	0	0	235.2		

- SPECIALTY ITEMS
- • 100% STATE
- • • 100% INDIANA
- • • • 100% VILLAGE OF LANSING
- • • 3FTY-3C

REVISIONS	
NAME	DATE

ILLINOIS DEPARTMENT OF TRANSPORTATION
I-80/94/US 6
KINGERY-BORMAN EXPRESSWAY
BURNHAM ROAD TO US 41
SUMMARY OF QUANTITIES

SCALE _____ DRAWN BY ACE/CAD
DATE 07/05 CHECKED BY TAE



SUMMARY OF QUANTITIES

F.A.I. RTE.	SECTION	COUNTY	TOTAL SHEETS	SHEET NO.
80/94	2626.2-R-2	COOK/LAKE	1207	9
STA.		TO STA.		
FED. ROAD DIST. NO.		ILLINOIS	FED. AID PROJECT	
CONTRACT NO. 62114		INDOT DES. NO. 0100987		

CODE NO.	ITEM	UNIT	URBAN TOTAL QUANTITY	ROADWAY	LIGHTING-	SURVEIL-	SIGNING	ROADWAY	LIGHTING	SURVEIL-	SIGNING	VILLAGE			
				ILLINOIS	ILLINOIS	LANCE ILLINOIS	ILLINOIS	INDIANA	INDIANA	LANCE INDIANA	INDIANA	OF LANSING			
				CONSTRUCTION TYPE CODE											
				J000-2A	Y030-1E	Y032-1F	Y002-1C	J000-2A	Y030-1E	Y032-1F	Y002-1C	Y000			
MX030144	CATCH BASINS, 1.2M BY 0.9M SPECIAL, TYPE 20 FRAME AND GRATE	EACH	45	45	0	0	0	0	0	0	0	0			
MX030170	CATCH BASINS, 1.2M BY 1.5M SPECIAL, TYPE 22 FRAME AND GRATE	EACH	6	6	0	0	0	0	0	0	0	0			
MX030236	REMOVE STEEL SHEET PILING	SQ M	2161	2161	0	0	0	0	0	0	0	0			
MX030504	TEMPORARY PAVEMENT (INTERSTATE)	SQ M	6264	3204	0	0	0	3060	0	0	0	0			
MX030505	STORM SEWERS TO BE GROUTED	CU M	1296.1	1296.1	0	0	0	0	0	0	0	0			
* MX032159	CONDUIT ENCASED, REINFORCED CONCRETE, 100MM DIA. PVC, 1 WIDE X 1 HIGH	METER	329	0	168	161	0	0	0	0	0	0			
* MX032160	CONDUIT ENCASED, REINFORCED CONCRETE, 100MM DIA. PVC, 2 WIDE X 1 HIGH	METER	118	0	0	118	0	0	0	0	0	0			
MX032178	TEMPORARY INFORMATION SIGNING	SQ M	91	15	0	0	0	76	0	0	0	0			
MX033183	SOIL STABILIZERS	KG	580885	115748	0	0	0	465137	0	0	0	0			
MX033290	SEDIMENT CONTROL, SILT FENCE	METER	2669.7	190.4	0	0	0	2479.3	0	0	0	0			
MX033291	SEDIMENT CONTROL, SILT FENCE MAINTENANCE	METER	1334.9	95.2	0	0	0	1239.7	0	0	0	0			
MX033292	SEDIMENT CONTROL, STABILIZED CONSTRUCTION ENTRANCE	SQ M	322	0	0	0	0	322	0	0	0	0			
MX033303	SEDIMENT CONTROL, STABILIZED CONSTRUCTION ENTRANCE MAINTENANCE	SQ M	812	78	0	0	0	734	0	0	0	0			
* MX033401	CONDUIT IN TRENCH, 50MM DIA., RIGID GALVANIZED STEEL	METER	10	0	0	10	0	0	0	0	0	0			
* MX033487	BLIND FLANGE CAP, 150MM DIA.	EACH	1	0	0	0	0	0	0	0	0	1			
MX355200	BITUMINOUS BASE COURSE SUPERPAVE, 200MM	SQ M	90	90	0	0	0	0	0	0	0	0			
MX406012	BITUMINOUS CONCRETE SURFACE COURSE, SUPERPAVE, MIX "C", N50	M TON	32.1	11.1	0	0	0	0	0	0	0	21			
MX406078	POLYMERIZED BITUMINOUS CONCRETE SURFACE COURSE, SUPERPAVE, MIX "F", N105	M TON	52.2	52.2	0	0	0	0	0	0	0	0			
MX406220	BITUMINOUS CONCRETE BINDER COURSE, SUPERPAVE, IL-19.0, N105	M TON	36.1	36.1	0	0	0	0	0	0	0	0			
MX406271	BITUMINOUS CONCRETE BINDER COURSE, SUPERPAVE, IL-19.0, N50 150MM	SQ M	225	0	0	0	0	0	0	0	0	225			
MX550175	DUCTILE IRON PIPE, STORM SEWER, 150MM	METER	28	28	0	0	0	0	0	0	0	0			
MX637150	CONCRETE BARRIER, SINGLE FACE, 1065 MM HEIGHT, SPECIAL	METER	113	113	0	0	0	0	0	0	0	0			
MX704200	REMOVE TEMPORARY CONCRETE BARRIER	METER	3881	1433	0	0	0	2448	0	0	0	0			
MX013825	CONTROLLED LOW STRENGTH MATERIAL	CU M	25	0	0	0	0	0	0	0	0	0	25		
MZ022800	FENCE REMOVAL	METER	2346	327	0	0	0	2019	0	0	0	0			
MZ068400	STEEL CASINGS 1050MM	METER	5	0	0	0	0	0	0	0	0	5			
X0301229	ACCIDENT INVESTIGATION SITE	CAL MO	4	4	0	0	0	0	0	0	0	0			
X0320333	ROADWAY CLEANING (SPECIAL)	EACH	18	6	0	0	0	12	0	0	0	0			
X0322394	CONCRETE FILLED STEEL POST REMOVAL	EACH	10	10	0	0	0	0	0	0	0	0			
X0322917	PROPOSED STORM SEWER CONNECTION TO EXISTING MANHOLE	EACH	10	5	0	0	0	5	0	0	0	0			
X0323426	SEDIMENT CONTROL, DRAINAGE STRUCTURE INLET FILTER CLEANING	EACH	1316	595	0	0	0	721	0	0	0	0			
X0323817	SEDIMENT CONTROL, SILT CURTAIN	EACH	3	0	0	0	0	3	0	0	0	0			
X0324045	SEDIMENT CONTROL, STABILIZED CONSTRUCTION ENTRANCE REMOVAL	EACH	6	1	0	0	0	5	0	0	0	0			

- SPECIALTY ITEMS
- • 100% STATE
- • • 100% INDIANA
- • • • 100% VILLAGE OF LANSING

REVISIONS	
NAME	DATE

ILLINOIS DEPARTMENT OF TRANSPORTATION
I-80/94/US 6
KINGERY-BORMAN EXPRESSWAY
BURNHAM ROAD TO US 41
SUMMARY OF QUANTITIES

SCALE: _____ DATE: 07/05

DRAWN BY ACE/CAD
CHECKED BY TAE

AMERICAN
CONSULTING ENGINEERS

SUMMARY OF QUANTITIES

ALL DIMENSIONS IN METERS EXCEPT PAY ITEMS AND UNLESS NOTED OTHERWISE

F.A.I. RTE.	SECTION	COUNTY	TOTAL SHEETS	SHEET NO.
80/94	2626.2-R-2	COOK/LAKE	1207	10
STA.		TO STA.		
FED. ROAD DIST. NO.		ILLINOIS	FED. AID PROJECT	
CONTRACT NO. 62114		INDOT DES. NO. 0100987		

CODE NO.	ITEM	UNIT	URBAN TOTAL QUANTITY	ROADWAY	LIGHTING-	SURVEIL-	SIGNING	ROADWAY	LIGHTING	SURVEIL-	SIGNING	VILLAGE		
				ILLINOIS	ILLINOIS	LANCE ILLINOIS	ILLINOIS	ILLINOIS	ILLINOIS	ILLINOIS	ILLINOIS	ILLINOIS	ILLINOIS	ILLINOIS
				CONSTRUCTION TYPE CODE										
				J000-2A	Y030-1E	Y032-1F	Y002-1C	J000-2A	Y030-1E	Y032-1F	Y002-1C	Y060		
X0324698	APPLY DUST SUPPRESSION AGENTS	UNIT	2885	1393	0	0	0	1492	0	0	0	0		
* X0520100	JUNCTION BOX, TYPE J	EACH	1	0	0	1	0	0	0	0	0	0		
X6020166	DRAINAGE STRUCTURES, TYPE 1 SPECIAL WITH TWO TYPE 20 FRAME AND GRATES	EACH	10	10	0	0	0	0	0	0	0	0		
X7011015	TRAFFIC CONTROL AND PROTECTION (EXPRESSWAYS)	L SUM	1	.33	0	0	0	.67	0	0	0	0		
X7013820	TRAFFIC CONTROL SURVEILLANCE, EXPRESSWAYS	CAL DA	240	80	0	0	0	160	0	0	0	0		
X7015000	CHANGEABLE MESSAGE SIGN	CAL MD	16	8	0	0	0	8	0	0	0	0		
XX001443	STEEL PLATES TO BE INSTALLED ON DRAINAGE STRUCTURE	EACH	12	8	0	0	0	4	0	0	0	0		
* XX004760	FIRE HYDRANT WITH AUXILIARY VALVE, VALVE BOX AND TEE	EACH	1	0	0	0	0	0	0	0	0	1		
XX005949	DRAINAGE STRUCTURES TO BE CLEANED	EACH	25	0	0	0	0	25	0	0	0	0		
Z0002600	BAR SPLICERS	EACH	36	36	0	0	0	0	0	0	0	0		
Z0013798	CONSTRUCTION LAYOUT	L SUM	1	.33	0	0	0	.67	0	0	0	0		
Z0018700	DRAINAGE STRUCTURE TO BE REMOVED	EACH	24	24	0	0	0	0	0	0	0	0		
Z0029999	IMPACT ATTENUATOR REMOVAL	EACH	6	2	0	0	0	4	0	0	0	0		
Z0030240	IMPACT ATTENUATORS, TEMPORARY (NON- REDIRECTIVE), TEST LEVEL 2	EACH	8	0	0	0	0	8	0	0	0	0		
Z0030250	IMPACT ATTENUATORS, TEMPORARY (NON- REDIRECTIVE), TEST LEVEL 3	EACH	7	3	0	0	0	4	0	0	0	0		
Z0030260	IMPACT ATTENUATORS, TEMPORARY (FULLY REDIRECTIVE, NARROW), TEST LEVEL 3	EACH	2	0	0	0	0	2	0	0	0	0		
Z0030330	IMPACT ATTENUATORS, RELOCATE (FULLY REDIRECTIVE), TEST LEVEL 3	EACH	1	0	0	0	0	1	0	0	0	0		
Z0030350	IMPACT ATTENUATORS, RELOCATE (NON- REDIRECTIVE), TEST LEVEL 3	EACH	8	5	0	0	0	3	0	0	0	0		
Z0076600	TRAINEES	— HOUR —	0	0	0	0	0	0	0	0	0	0		
* MX033637	BLIND FLANGE CAP, 600MM DIA	EACH	5	0	0	0	0	0	0	0	0	5		
* MX033668	DUCTILE IRON WATER MAIN RESTRAINED JOINT TYPE, 600MM	METER	35	0	0	0	0	0	0	0	0	35		
* MX033669	DUCTILE IRON WATER MAIN RESTRAINED JOINT TYPE, 150MM	METER	8	0	0	0	0	0	0	0	0	8		
* MX033670	DUCTILE IRON WATER MAIN RESTRAINED JOINT TYPE, 600MM IN STEEL CASING PIPE, 1050MM AUGURED	METER	93	0	0	0	0	0	0	0	0	93		
* M6111240	TAPPING VALVES AND SLEEVES, 600MM	EACH	2	0	0	0	0	0	0	0	0	2		
* MX033672	VALVE VAULTS, TYPE A, 2.1M DIA., TYPE 1 FRAME, CLOSED LID	EACH	2	0	0	0	0	0	0	0	0	2		
* MX033673	ABANDON WATER MAIN IN PLACE, 600MM	L SUM	1	0	0	0	0	0	0	0	0	1		
MX033582	LUG SYSTEM COMPLETE (SPECIAL) 14.4 METER	EACH	1	1	0	0	0	0	0	0	0	0		
MX033583	REINFORCED CONCRETE PIPE TEE, 1950MM PIPE WITH 300MM RISER	EACH	3	3	0	0	0	0	0	0	0	0		
MX033584	REINFORCED CONCRETE PIPE TEE, 1950MM PIPE WITH 450MM RISER	EACH	1	1	0	0	0	0	0	0	0	0		
MX033585	STORM SEWER REMOVAL, 1200MM X 600MM ELLIPTICAL	METER	62	0	0	0	0	0	0	0	0	62		
MX033581	BARRIER SUPPORT STRUCTURE FOR NOISE ABATEMENT WALL	METER	279.6	279.6	0	0	0	0	0	0	0	0		
M6340705	CONCRETE GLARE SCREEN, SPECIAL	METER	22.8	22.8	0	0	0	0	0	0	0	0		

△
△
△
△
△
△

- SPECIALTY ITEMS
- • 100% STATE
- • • 100% INDIANA
- • • • 100% VILLAGE OF LANSING
- △ SFTV-3N

REVISIONS	
NAME	DATE

ILLINOIS DEPARTMENT OF TRANSPORTATION
I-80/94/US 6
KINGERY-BORMAN EXPRESSWAY
BURNHAM ROAD TO US 41

SUMMARY OF QUANTITIES

SCALE: DATE 07/05

DRAWN BY ACE/CAD
CHECKED BY TAE

AMERICAN
CONSULTING ENGINEERS

SUMMARY OF QUANTITIES

ALL DIMENSIONS IN METERS EXCEPT PAY ITEMS AND UNLESS NOTED OTHERWISE

F.A.I. RTE.	SECTION	COUNTY	TOTAL SHEETS	SHEET NO.
80/94	2626.2-R-2	COOK/LAKE	1207	11
STA.		TO STA.		
FED. ROAD DIST. NO.		ILLINOIS	FED. AID PROJECT	
CONTRACT NO. 62114		INDOT DES. NO. 0100987		

CODE NO.	ITEM	UNIT	URBAN TOTAL QUANTITY	ROADWAY	LIGHTING-	SURVEIL-	SIGNING	ROADWAY	LIGHTING	SURVEIL-	SIGNING	VILLAGE	CONSTRUCTION TYPE CODE			
				ILLINOIS	ILLINOIS	LANCE ILLINOIS	ILLINOIS	INDIANA	INDIANA	LANCE INDIANA	INDIANA	ILLINOIS	INDIANA	INDIANA	INDIANA	ILLINOIS
				J000-2A	Y030-1E	Y032-1F	Y002-1C	J000-2A	Y030-1E	Y032-1F	Y002-1C	Y000				
* M7802012	POLYUREA PAVEMENT MARKING, TYPE 1 - LINE 125MM	METER	2415	2415	0	0	0	0	0	0	0	0				
* MX030510	CONDUIT ATTACHED TO STRUCTURE, 100MM DIA., PVC, SCHEDULE 80	METER	160	0	0	0	0	0	0	160	0	0				
* MX033638	CONDUIT, ENCASED, REINFORCED CONCRETE, 100MM DIA., PVC, 6 WIDE X 2 HIGH	METER	22	0	0	22	0	0	0	0	0	0				
* MX033545	CONDUIT EMBEDDED IN STRUCTURE, 30MM DIA., CNC, 4 WIDE BY 2 HIGH	METER	904	0	0	904	0	0	0	0	0	0				
* MX0310115	CONDUIT ENCASED, REINFORCED CONCRETE, 30MM DIA., CNC, 4 WIDE BY 2 HIGH	METER	200	0	0	200	0	0	0	0	0	0				
* MX033674	CONDUIT ENCASED, REINFORCED CONCRETE, 100MM DIA., PVC, 3 WIDE BY 1 HIGH	METER	29	0	0	29	0	0	0	0	0	0				
* MX033675	CONDUIT EMBEDDED IN STRUCTURE, 75MM DIA., GALVANIZED STEEL	METER	5	0	0	5	0	0	0	0	0	0				
* MX033582	SEWER OUTFALL SEPARATOR SYSTEM	L SUM	1	1	0	0	0	0	0	0	0	0				
MX033639	SLIP-ON FLAT BOTTOM CHECK VALVE 1950MM	EACH	1	1	0	0	0	0	0	0	0	0				
MX033640	SLIP-ON FLAT BOTTOM CHECK VALVE 600 MM	EACH	1	0	0	0	0	1	0	0	0	0				
* MX033691	PLANTING MIX FURNISH AND PLACE 900 MM	SQ M	159	159	0	0	0	0	0	0	0	0				
* MX033691	PAINT PAVEMENT MARKING - LINE 125 MM (SPECIAL)	METER	114.3	114.3	0	0	0	0	0	0	0	0				
MX033590	BORROW (INDIANA)	CU M	30895.6	0	0	0	0	30895.6	0	0	0	0				
MX033591	EXCAVATION COMMON (INDIANA)	CU M	7518.7	0	0	0	0	7518.7	0	0	0	0				
MX033686	EXCAVATION, UNCLASSIFIED (INDIANA)	CU M	3810.3	0	0	0	0	3810.3	0	0	0	0				
MX033642	SUBGRADE TREATMENT, TYPE 1A (INDIANA)	SQ M	62501	0	0	0	0	62501	0	0	0	0				
MX033592	SUBBASE FOR PCCP, (225) (INDIANA)	CU M	14062.7	0	0	0	0	14062.7	0	0	0	0				
MX033593	DENSE GRADED SUBBASE (INDIANA)	CU M	515.4	0	0	0	0	515.4	0	0	0	0				
MX033643	COMPACTED AGGREGATE, NO. 73 (INDIANA)	SQ M	1030	0	0	0	0	1030	0	0	0	0				
MX033644	QC/OA - PCCP, 400 MM (INDIANA)	SQ M	57226	0	0	0	0	57226	0	0	0	0				
MX033645	QC/OA - PCCP, 330 MM (INDIANA)	SQ M	3867	0	0	0	0	3867	0	0	0	0				
MX033647	PROFILOGRAPH, PCCP (INDIANA)	L SUM	1	0	0	0	0	1	0	0	0	0				
MX033594	D-1 CONTRACTION JOINT (INDIANA)	METER	11334	0	0	0	0	11334	0	0	0	0				
MX033595	TERMINAL JOINT (INDIANA)	METER	308	0	0	0	0	308	0	0	0	0				
MX033646	RETROFITTED TIE BARS (INDIANA)	EACH	370	0	0	0	0	370	0	0	0	0				
MX033620	IMPACT ATTENUATOR CR, W2, TL-3 (INDIANA)	EACH	4	0	0	0	0	4	0	0	0	0				
MX033596	BARRIER, CONCRETE, 1145 MM (INDIANA)	METER	263.8	0	0	0	0	263.8	0	0	0	0				
MX033597	BARRIER, CONCRETE, 1145 MM, MODIFIED (INDIANA)	METER	1033	0	0	0	0	1033	0	0	0	0				
MX033598	CONCRETE BARRIER, TRANSITION (INDIANA)	EACH	14	0	0	0	0	14	0	0	0	0				
MX033599	BARRIER DELINEATOR (INDIANA)	EACH	519	0	0	0	0	519	0	0	0	0				
MX033648	BARRIER, CONCRETE, 840 MM, MODIFIED (INDIANA)	METER	547	0	0	0	0	547	0	0	0	0				
MX033676	FENCE, CHAIN LINK, 1220 MM (INDIANA)	METER	2049	0	0	0	0	2049	0	0	0	0				

- SPECIALTY ITEMS
- • 100% STATE
- • • 100% INDIANA
- • • • 100% VILLAGE OF LANSING
- Δ SFTY-3N

REVISIONS	
NAME	DATE

ILLINOIS DEPARTMENT OF TRANSPORTATION
 I-80/94/US 6
 KINGERY-BORMAN EXPRESSWAY
 BURNHAM ROAD TO US 41
SUMMARY OF QUANTITIES

SCALE DATE 07/05

DRAWN BY ACE/CAD
 CHECKED BY TAE

SUMMARY OF QUANTITIES

ALL DIMENSIONS IN METERS EXCEPT PAY
ITEMS AND UNLESS NOTED OTHERWISE

F.A.I. RTE.	SECTION	COUNTY	TOTAL SHEETS	SHEET NO.
80/94	2626.2-R-2	COOK/LAKE	1207	12
STA.		TO STA.		
FED. ROAD DIST. NO.		ILLINOIS FED. AID PROJECT		
CONTRACT NO. 62114		INDOT DES. NO. 0100987		

CODE NO.	ITEM	UNIT	TOTAL QUANTITY	ROADWAY	LIGHTING-	SURVEIL-	SIGNING	ROADWAY	LIGHTING	SURVEIL-	SIGNING	VILLAGE			
				ILLINOIS	ILLINOIS	LANCE ILLINOIS	ILLINOIS	ILLINOIS	ILLINOIS	ILLINOIS	ILLINOIS	ILLINOIS	ILLINOIS	ILLINOIS	ILLINOIS
				CONSTRUCTION TYPE CODE											
				J000-2A	Y030-1E	Y032-1F	Y002-1C	J000-2A	Y030-1E	Y032-1F	Y002-1C	Y060			
* MX033677	FENCE GATE, CHAIN LINK, 1220 MM X 3.7 M (INDIANA)	EACH	2	0	0	0	0	2	0	0	0	0			
MX033679	SIDEWALK, CONCRETE 100 MM (INDIANA)	SQ M	277	0	0	0	0	277	0	0	0	0			
MX033680	SIDEWALK, CONCRETE 150 MM (INDIANA)	SQ M	24	0	0	0	0	24	0	0	0	0			
MX033681	CURB AND GUTTER, C, CONCRETE, SPECIAL (INDIANA)	METER	340	0	0	0	0	340	0	0	0	0			
MX033689	REINFORCED CONCRETE BRIDGE APPROACH, 400MM (INDIANA)	SQ M	3436	0	0	0	0	3436	0	0	0	0			
MX033650	MONUMENT, D (INDIANA)	EACH	3	0	0	0	0	3	0	0	0	0			
MX033681	RIPRAP, UNIFORM (INDIANA)	SQ M	44	0	0	0	0	44	0	0	0	0			
MX033651	GEOTEXTILES (INDIANA)	SQ M	44	0	0	0	0	44	0	0	0	0			
MX033652	HANDRAIL, STEEL (INDIANA)	METER	11	0	0	0	0	11	0	0	0	0			
MX033687	PIPE, TYPE 2, DEFORMED, MIN. AREA 1.68 M2 (INDIANA)	METER	12	0	0	0	0	12	0	0	0	0			
MX033653	PIPE TYPE 2, CIRCULAR, 300 MM (INDIANA)	METER	917.8	0	0	0	0	917.8	0	0	0	0			
MX033654	PIPE TYPE 2, CIRCULAR, 375 MM (INDIANA)	METER	244.1	0	0	0	0	244.1	0	0	0	0			
MX033655	PIPE TYPE 2, CIRCULAR, 450 MM (INDIANA)	METER	334.5	0	0	0	0	334.5	0	0	0	0			
MX033656	PIPE TYPE 2, CIRCULAR, 600 MM (INDIANA)	METER	693.6	0	0	0	0	693.6	0	0	0	0			
MX033657	PIPE TYPE 2, CIRCULAR, 750 MM (INDIANA)	METER	166.3	0	0	0	0	166.3	0	0	0	0			
MX033658	PIPE TYPE 2, CIRCULAR, 900 MM (INDIANA)	METER	146	0	0	0	0	146	0	0	0	0			
MX033659	PIPE TYPE 4, CIRCULAR, 150 MM (INDIANA)	METER	3225.4	0	0	0	0	3225.4	0	0	0	0			
MX033660	PIPE END SECTION, 600 MM (INDIANA)	EACH	2	0	0	0	0	2	0	0	0	0			
MX033688	PIPE, SLOTTED DRAIN, 300 MM (INDIANA)	METER	575.7	0	0	0	0	575.7	0	0	0	0			
MX033604	PIPE INSTALLATION, TRENCHLESS, 600 MM (INDIANA)	METER	59	0	0	0	0	59	0	0	0	0			
MX033603	GEOTEXTILES FOR UNDERDRAIN (INDIANA)	SQ M	7753	0	0	0	0	7753	0	0	0	0			
MX033605	AGGREGATE FOR UNDERDRAINS (INDIANA)	CU M	1023	0	0	0	0	1023	0	0	0	0			
* MX033606	VIDEO INSPECTION FOR UNDERDRAINS (INDIANA)	METER	3230	0	0	0	0	3230	0	0	0	0			
MX033607	INLET TYPE HA (INDIANA)	EACH	1	0	0	0	0	1	0	0	0	0			
MX033608	MANHOLE, C4 (INDIANA)	EACH	3	0	0	0	0	3	0	0	0	0			
MX033609	MANHOLE, D4 (INDIANA)	EACH	2	0	0	0	0	2	0	0	0	0			
MX033610	DROP MANHOLE, C2 (INDIANA)	EACH	2	0	0	0	0	2	0	0	0	0			
MX033611	DROP MANHOLE, C4 (INDIANA)	EACH	1	0	0	0	0	1	0	0	0	0			
MX033612	INLET TYPE H, (SPECIAL) WITH SLOTTED DRAIN (INDIANA)	EACH	2	0	0	0	0	2	0	0	0	0			
MX033613	INLET TYPE H, (SPECIAL) (INDIANA)	EACH	14	0	0	0	0	14	0	0	0	0			
MX033614	INLET TYPE HA, (MODIFIED) (INDIANA)	EACH	34	0	0	0	0	34	0	0	0	0			
MX033615	INLET TYPE HA, (SPECIAL) (INDIANA)	EACH	7	0	0	0	0	7	0	0	0	0			

- SPECIALTY ITEMS
- • 100% STATE
- • • 100% INDIANA
- • • • 100% VILLAGE OF LANSING

REVISIONS	
NAME	DATE

ILLINOIS DEPARTMENT OF TRANSPORTATION
I-80/94/US 6
KINGERY-BORMAN EXPRESSWAY
BURNHAM ROAD TO US 41
SUMMARY OF QUANTITIES

SCALE: _____ DATE: 07/05 DRAWN BY: ACE/CAD CHECKED BY: TAE



SUMMARY OF QUANTITIES

ALL DIMENSIONS IN METERS EXCEPT PAY ITEMS AND UNLESS NOTED OTHERWISE

F.A.I. RTE. 80/94	SECTION 2626.2-R-2	COUNTY COOK/LAKE	TOTAL SHEETS 1207	SHEET NO. 13
STA.		TO STA.		
FED. ROAD DIST. NO.		ILLINOIS FED. AID PROJECT		
CONTRACT NO. 62114		INDOT DES. NO. 0100987		

CODE NO.	ITEM	UNIT	URBAN TOTAL QUANTITY	ROADWAY	LIGHTING-	SURVEIL-	SIGNING	ROADWAY	LIGHTING	SURVEIL-	SIGNING	VILLAGE		
				ILLINOIS	ILLINOIS	LANCE ILLINOIS	ILLINOIS	ILLINOIS	ILLINOIS	LANCE INDIANA	ILLINOIS	OF LANSING		
				CONSTRUCTION TYPE CODE										
				J000-2A	Y030-1E	Y032-1F	Y002-1C	J000-2A	Y030-1E	Y032-1F	Y002-1C	Y060		
MX033616	INLET TYPE HA. (SPECIAL) WITH SLOTTED DRAIN (INDIANA)	EACH	7	0	0	0	0	7	0	0	0	0		
MX033617	MANHOLE, C2 (INDIANA)	EACH	1	0	0	0	0	1	0	0	0	0		
MX033618	MANHOLE, D2 (INDIANA)	EACH	3	0	0	0	0	3	0	0	0	0		
MX033619	MANHOLE, E4 (INDIANA)	EACH	2	0	0	0	0	2	0	0	0	0		
MX033661	AUTOMATIC DRAINAGE GATE, 600MM (INDIANA)	EACH	1	0	0	0	0	1	0	0	0	0		
MX033662	MANHOLE, C2 WITH SLOTTED DRAIN (INDIANA)	EACH	4	0	0	0	0	4	0	0	0	0		
MX033687	INLET, TYPE HA (MODIFIED) WITH SLOTTED DRAIN (INDIANA)	EACH	6	0	0	0	0	6	0	0	0	0		
MX033689	CASTING, 5, FURNISH AND ADJUST TO GRADE (INDIANA)	EACH	4	0	0	0	0	4	0	0	0	0		
* MX033684	SPAN OVERHEAD SIGN STRUCTURE, BOX TRUSS (INDIANA)	METER	101	0	0	0	0	0	0	0	101	0		
* MX033685	SPAN OVERHEAD SIGN STRUCTURE, BOX TRUSS SPECIAL (INDIANA)	METER	28	0	0	0	0	0	0	0	28	0		
* MX033622	REINFORCING STEEL, SIGN FOUNDATION (INDIANA)	KG	15130	0	0	0	0	0	0	0	15130	0		
* MX033623	SIGN PANEL WITH LEGEND (INDIANA)	SQ M	211	0	0	0	0	0	0	0	211	0		
* MX033624	TUBULAR TRAFFIC SIGN POST (INDIANA)	EACH	12	0	0	0	4	0	0	0	8	0		
* MX033625	CONCRETE SIGN FOUNDATION (INDIANA)	CU M	102.5	0	0	0	0	0	0	0	102.5	0		
* MX033683	SIGN POST, WOOD (INDIANA)	METER	27	0	0	0	0	0	0	0	27	0		
* MX033626	SIGN, SHEET, ENCAPSULATED LENS WITH LEGEND, 2.54MM THICKNESS (INDIANA)	SQ M	24	0	0	0	0	0	0	0	24	0		
* MX033627	SIGN, SHEET, ENCAPSULATED LENS WITH LEGEND, 3.18MM THICKNESS (INDIANA)	SQ M	30	0	0	0	0	0	0	0	30	0		
* MX033623	CONCRETE FOUNDATION WITH GROUNDING, 750MM DIA X 1500MM (INDIANA)	EACH	9	0	0	0	0	0	9	0	0	0		
* MX033628	LINE, EPOXY, SOLID, WHITE, 100 MM (INDIANA)	METER	2915	0	0	0	0	2915	0	0	0	0		
* MX033629	LINE, EPOXY, SOLID, YELLOW, 100 MM (INDIANA)	METER	4133	0	0	0	0	4133	0	0	0	0		
* MX033630	LINE, EPOXY, SOLID, WHITE, 200 MM (INDIANA)	METER	2741	0	0	0	0	2741	0	0	0	0		
* MX033664	LINE, EPOXY, SOLID, WHITE, 600 MM (INDIANA)	METER	336	0	0	0	0	336	0	0	0	0		
* MX033631	LINE, EPOXY, BROKEN, WHITE, 125 MM (INDIANA)	METER	3230	0	0	0	0	3230	0	0	0	0		
* MX033632	PAVEMENT MESSAGE MARKING, EPOXY, WORD ONLY (INDIANA)	SQ M	10.5	0	0	0	0	10.5	0	0	0	0		
* MX033633	PAVEMENT MESSAGE MARKING, EPOXY, TURN ARROW (INDIANA)	SQ M	7.4	0	0	0	0	7.4	0	0	0	0		
* MX033634	SNOWPLOWABLE RAISED PAVEMENT MARKER (INDIANA)	EACH	1162	0	0	0	0	1162	0	0	0	0		
* MX033678	LINE, EPOXY, BROKEN, WHITE, 200 MM (INDIANA)	METER	169	0	0	0	0	169	0	0	0	0		
* MX033665	WIM STATION, 10 LANE SLC (INDIANA)	L SUM	1	0	0	0	0	0	0	1	0	0		
* MX033635	SEWER OUTFALL SEPARATOR SYSTEM (INDIANA)	L SUM	1	0	0	0	0	1	0	0	0	0		
X0325176	CONCRETE FILLED STEEL POST	EACH	14	14	0	0	0	0	0	0	0	0		

- SPECIALTY ITEMS
- • STATE
- • • 100% INDIANA
- • • • 100% VILLAGE OF LANSING

REVISIONS	
NAME	DATE

ILLINOIS DEPARTMENT OF TRANSPORTATION
I-80/94/US 6
KINGERY-BORMAN EXPRESSWAY
BURNHAM ROAD TO US 41
SUMMARY OF QUANTITIES

SCALE _____ DATE 07/05 DRAWN BY ACE/CAD
CHECKED BY TAE



SUMMARY OF QUANTITIES

F.A.I. RTE.	SECTION	COUNTY	TOTAL SHEETS	SHEET NO.
80/94	2626.2-R-2	COOK/LAKE	1207	14
STA.		TO STA.		
FED. ROAD DIST. NO.		ILLINOIS	FED. AID PROJECT	
CONTRACT NO. 62114		INDOT DES. NO. 0100987		

CODE NO.	ITEM	UNIT	URBAN TOTAL QUANTITY	RETAINING WALLS ILLINOIS	NOISE WALLS ILLINOIS	MINOR STRUCTURES ILLINOIS	RETAINING WALLS INDIANA	NOISE WALLS INDIANA	MINOR STRUCTURES INDIANA	BRIDGE OVER HOHMAN	BRIDGE OVER LITTLE CALUMET	BRIDGE OVER HARRISON	VILLAGE OF LANSING
				Y007	Y220	Y007	Y007	Y220	Y007	X281-2A	X071-2A	X271-2A	
50300440	ERECTING ELASTOMERIC BEARING ASSEMBLY, TYPE I	EACH	63	0	0	0	0	0	0	0	63	0	0
50300450	ERECTING ELASTOMERIC BEARING ASSEMBLY, TYPE II	EACH	42	0	0	0	0	0	0	0	42	0	0
50500305	ERECTING STRUCTURAL STEEL	L SUM	1	0	0	0	0	0	0	0	.79	.21	0
60248000	JUNCTION CHAMBER, NO. 1	EACH	1	0	0	0	0	0	0	0	0	0	1
60248100	JUNCTION CHAMBER, NO. 2	EACH	1	0	0	0	0	0	0	0	0	0	1
60248200	JUNCTION CHAMBER, NO. 3	EACH	4	0	0	4	0	0	0	0	0	0	0
60248300	JUNCTION CHAMBER, NO. 4	EACH	2	0	0	2	0	0	0	0	0	0	0
60248400	JUNCTION CHAMBER, NO. 5	EACH	2	0	0	2	0	0	0	0	0	0	0
M3111010	SUB-BASE GRANULAR MATERIAL, TYPE B	M TON	408.5	408.5	0	0	0	0	0	0	0	0	0
M5020100	STRUCTURE EXCAVATION	CU M	535.1	535.1	0	0	0	0	0	0	0	0	0
M5030350	CONCRETE STRUCTURES	CU M	279.48	269	0	10.48	0	0	0	0	0	0	0
M5030380	RUSTICATION FINISH	SQ M	4598	148	0	0	4450	0	0	0	0	0	0
M5030450	PROTECTIVE COAT	SQ M	92.7	92.7	0	0	0	0	0	0	0	0	0
M5041219	FURNISHING AND ERECTING PRECAST PRESTRESSED CONCRETE I-BEAMS, 1219MM	METER	1272	0	0	0	0	0	0	1272	0	0	0
M5080105	REINFORCEMENT BARS	KG	490	0	0	490	0	0	0	0	0	0	0
M5080205	REINFORCEMENT BARS, EPOXY COATED	KG	18390	18390	0	0	0	0	0	0	0	0	0
M5910100	GEOCOMPOSITE WALL DRAIN	SQ M	4328	138	0	0	4190	0	0	0	0	0	0
M6011105	PIPE UNDERDRAINS FOR STRUCTURES 150MM	METER	52.5	52.5	0	0	0	0	0	0	0	0	0
MX030128	REMOVAL OF EXISTING NOISE ABATEMENT WALL	SQ M	8798	0	0	0	0	8798	0	0	0	0	0
MX030257	ERECTING FLOATING BEARINGS, GUIDED EXPANSION 1250KN	EACH	21	0	0	0	0	0	0	0	21	0	0
MX030355	NOISE ABATEMENT WALL, GROUND MOUNTED	SQ M	1213	0	1213	0	0	0	0	0	0	0	0
MX030356	NOISE ABATEMENT WALL, STRUCTURE MOUNTED	SQ M	11169	0	11169	0	0	0	0	0	0	0	0
MX030511	EXCAVATION FOUNDATION, UNCLASSIFIED (INDIANA)	CU M	21085	0	0	0	16071	0	0	1876	2671	467	0
MX030512	EXCAVATION WET (INDIANA)	CU M	498	0	0	0	0	0	0	0	498	0	0
MX030513	EXCAVATION DRY (INDIANA)	CU M	1362	0	0	0	0	0	0	0	1362	0	0
MX030514	STRUCTURE BACKFILL (INDIANA)	CU M	22373.7	0	0	0	15321.5	0	5160.2	623	473	796	0
MX030515	RIPRAP REVETMENT (INDIANA)	SQ M	4314	0	0	0	0	0	0	0	4314	0	0
MX030516	TEST PILE, 356MM (INDIANA)	EACH	22	0	0	0	16	0	0	4	0	2	0
MX030517	PILE, CONCRETE, STEEL SHELL ENCASED, 6.35MM, 356MM (INDIANA)	METER	3331.5	0	0	0	18973	0	0	3324	9483	1531.5	0
MX030518	CONCRETE, A, SUBSTRUCTURE (INDIANA)	CU M	11141.8	0	0	0	7322.8	0	0	940	2761.1	117.9	0
MX030519	CONCRETE, C, SUPERSRUCTURE (INDIANA)	CU M	3255.9	0	0	0	0	0	0	938.1	1716.2	601.6	0
MX030520	REINFORCING BARS, EPOXY COATED (INDIANA)	KG	1,177,220	0	0	0	506,010	0	0	174,000	423,230	73,980	0
MX030521	PIPE, UNDERDRAIN, PERFORATED, 1.63MM, 150MM (INDIANA)	METER	1248	0	0	0	1248	0	0	0	0	0	0

- SPECIALTY ITEMS
- • 100% STATE
- • • 100% INDIANA
- • • • 100% VILLAGE OF LANSING

REVISIONS	
NAME	DATE

ILLINOIS DEPARTMENT OF TRANSPORTATION
I-80/94/US 6
KINGERY-BORMAN EXPRESSWAY
BURNHAM ROAD TO US 41
SUMMARY OF QUANTITIES

SCALE DATE 07/05 DRAWN BY ACE/CAD CHECKED BY TAE



Rev.

SUMMARY OF QUANTITIES

F.A.I. RTE.	SECTION	COUNTY	TOTAL SHEETS	SHEET NO.
80/94	2626.2-R-2	COOK/LAKE	1207	15
STA. TO STA.		FED. ROAD DIST. NO.		
		ILLINOIS FED. AID PROJECT		
		CONTRACT NO. 62114		
		INDOT DES. NO. 0100987		

CODE NO.	ITEM	UNIT	URBAN TOTAL QUANTITY	RETAINING WALLS ILLINOIS	NOISE WALLS ILLINOIS	MINOR STRUCTURES ILLINOIS	RETAINING WALLS INDIANA	NOISE WALLS INDIANA	MINOR STRUCTURES INDIANA	BRIDGE OVER HOHMAN	BRIDGE OVER LITTLE CALUMET	BRIDGE OVER HARRISON	VILLAGE OF LANSING
				Y007	Y220	Y007	Y007	Y220	Y007	X281-2A	X071-2A	X271-2A	
MX030522	STRUCTURAL EXPANSION JOINT, SS (INDIANA)	METER	131.1	0	0	0	0	0	0	0	131.1	0	0
MZ013825	CONTROLLED LOW-STRENGTH MATERIAL	CU M	165.4	140.4	0	0	0	0	0	0	0	0	25
X0324587	NOISE ABATEMENT WALL ANCHOR ROD ASSEMBLY	EACH	438	15	0	0	304	0	0	36	55	28	0
X0324756	THREADED TIE BAR ASSEMBLY, EPOXY COATED (INDIANA)	EACH	1962	0	0	0	0	0	0	956	299	707	0
X0324758	FIELD WELDED STUD SHEAR CONNECTOR (INDIANA)	EACH	40884	0	0	0	0	0	0	0	33612	7272	0
X0324759	ANCHOR BOLT (INDIANA)	EACH	662	0	0	0	0	0	0	104	462	96	0
X0324776	MASONRY COATING (INDIANA)	L SUM	1	0	0	0	.58	0	0	.1	.25	.07	0
X7330360	OVERHEAD SIGN STRUCTURE - SPAN, ANCHOR ROD ASSEMBLY	EACH	2	2	0	0	0	0	0	0	0	0	0
MX033575	REMOVE MECHANICALLY STABILIZED EARTH WALL	SQ M	603	0	0	0	603	0	0	0	0	0	0
MX033587	PRESENT STRUCTURE, STR. NO. I-80-1-8460, REMOVE (INDIANA)	L SUM	1	0	0	0	0	0	0	0	1	0	0
MX033588	PRESENT STRUCTURE, STR. NO. I-80-1-8461, REMOVE (INDIANA)	L SUM	1	0	0	0	0	0	0	0	0	1	0
MX033589	PRESENT STRUCTURE, STR. NO. I-80-1-8459, REMOVE (INDIANA)	L SUM	1	0	0	0	0	0	0	1	0	0	0
MX033666	B BORROW (INDIANA)	CU M	2725.1	0	0	0	2725.1	0	0	0	0	0	0
MX033660	SLOPEWALL, CONCRETE, 100 mm (INDIANA)	SQ M	3101	0	0	0	0	0	0	1856	0	1245	0
MX033668	SOUND BARRIER SYSTEM, TYPE 2 (INDIANA)	SQ M	8505	0	0	0	0	8505	0	0	0	0	0
MX033636	SURFACE SEAL (INDIANA)	L SUM	1	0	0	0	.23	0	0	.18	.47	.12	0
MX033667	GRATES, BASINS, AND FITTINGS, CAST IRON (INDIANA)	KG	584	0	0	0	0	0	0	0	584	0	0
MX033621	BEARING ASSEMBLY, ELASTOMERIC TYPE 1 (INDIANA)	EACH	48	0	0	0	0	0	0	48	0	0	0
MX033690	OVERHEAD SIGN STRUCTURE - SPAN, ANCHOR ROD ASSEMBLY (INDIANA)	EACH	6	0	0	0	6	0	0	0	0	0	0
020076600	TRAINERS	HOUR	500	500									

- 0 Y080
- SPECIALTY ITEMS
- • • 100% STATE
- • • 100% INDIANA
- • • • 100% VILLAGE OF LANSING

REVISIONS	
NAME	DATE

ILLINOIS DEPARTMENT OF TRANSPORTATION
I-80/94/US 6
KINGERY-BORMAN EXPRESSWAY
BURNHAM ROAD TO US 41
SUMMARY OF QUANTITIES

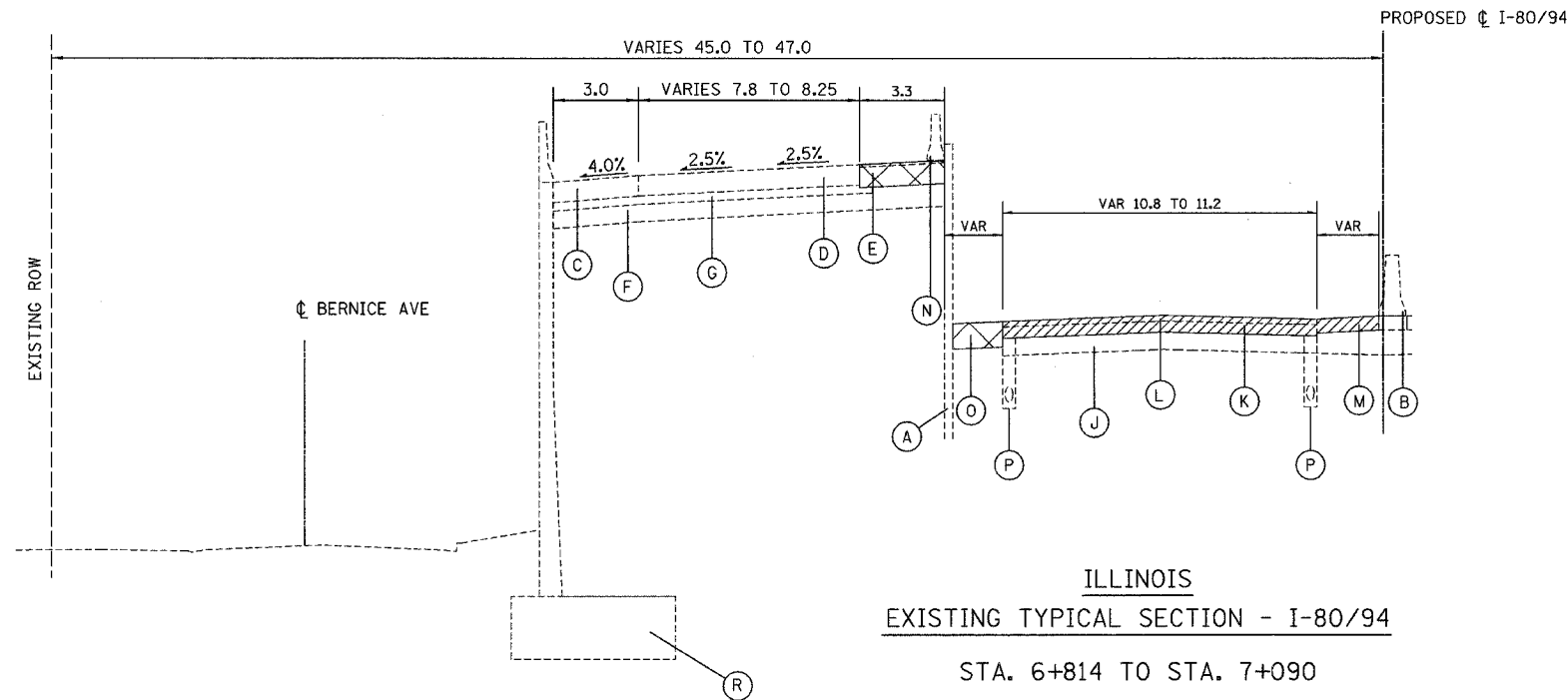
SCALE _____ DATE 07/05 DRAWN BY ACE/CAD CHECKED BY TAE

AMERICAN
CONSULTING ENGINEERS

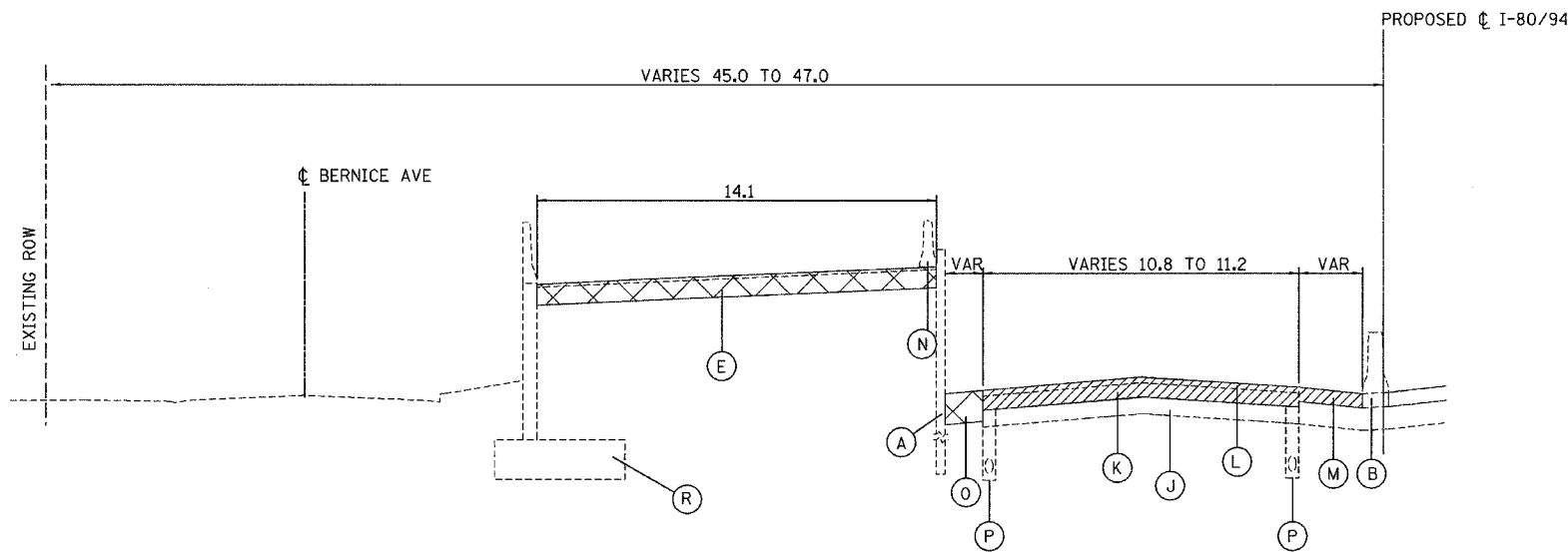
Rev.

ALL DIMENSIONS IN METERS EXCEPT PAY ITEMS AND UNLESS NOTED OTHERWISE

F.A.I. RTE.	SECTION	COUNTY	TOTAL SHEETS	SHEET NO.
80/94	2626.2-R-2	COOK/LAKE	1207	16
STA.		TO STA.		
FED. ROAD DIST. NO.		ILLINOIS FED. AID PROJECT		
CONTRACT NO. 62114		INDOT DES. NO. 0100987		



ILLINOIS
EXISTING TYPICAL SECTION - I-80/94
STA. 6+814 TO STA. 7+090



ILLINOIS
EXISTING TYPICAL SECTION - I-80/94
STA. 7+090 TO STA. 7+260
PAVEMENT BREAKING STA. 7+090 TO STA. 7+125
THEREAFTER PAVEMENT REMOVAL

EXISTING LEGEND (ILLINOIS & INDIANA)

- Ⓐ STEEL SHEET PILING REMOVAL
- Ⓑ CONCRETE BARRIER REMOVAL
- Ⓒ PORTLAND CEMENT CONCRETE SHOULDERS - 360MM
- Ⓓ CONTINUOUSLY REINFORCED PORTLAND CEMENT CONCRETE PAVEMENT 360MM
- Ⓔ BITUMINOUS PAVEMENT 360MM, TEMPORARY
- Ⓕ SUB-BASE GRANULAR MATERIAL
- Ⓖ STABILIZED SUB-BASE 150MM
- Ⓗ CONCRETE BARRIER
- Ⓘ BITUMINOUS SHOULDERS (SEE TABLE)
- Ⓝ AGGREGATE SUBGRADE (300MM & VAR)
- Ⓚ PORTLAND CEMENT CONCRETE PAVEMENT (275MM & VAR)
- Ⓛ BITUMINOUS OVERLAY (115MM & VAR)
- Ⓜ BITUMINOUS SHOULDER PAVEMENT (250MM & VAR)
- Ⓝ TEMPORARY CONCRETE BARRIER
- Ⓞ CONTROLLED LOW STRENGTH MATERIAL
- Ⓟ PAVEMENT UNDERDRAIN
- Ⓠ RETAINING WALL BUILT BY OTHERS
- Ⓡ REINFORCED CONCRETE SHOULDERS
- Ⓢ SINGLE PLATE BEAM GUARDRAIL
- Ⓣ NOISE ABATEMENT WALL GROUND MOUNT
- Ⓤ NOISE ABATEMENT WALL STRUCTURE MOUNT

- ⊗ PAVEMENT REMOVAL
- ⊘ PAVED SHOULDER REMOVAL
- ⊙ CONCRETE REMOVAL
- ⊚ PAVEMENT BREAKING

REVISIONS	
NAME	DATE

ILLINOIS DEPARTMENT OF TRANSPORTATION
I-80/94/US 6
KINGERY-BORMAN EXPRESSWAY
BURNHAM ROAD TO US 41
EXISTING TYPICAL SECTIONS
STA. 6+814 TO STA. 7+260
WESTBOUND I-80/94/US 6

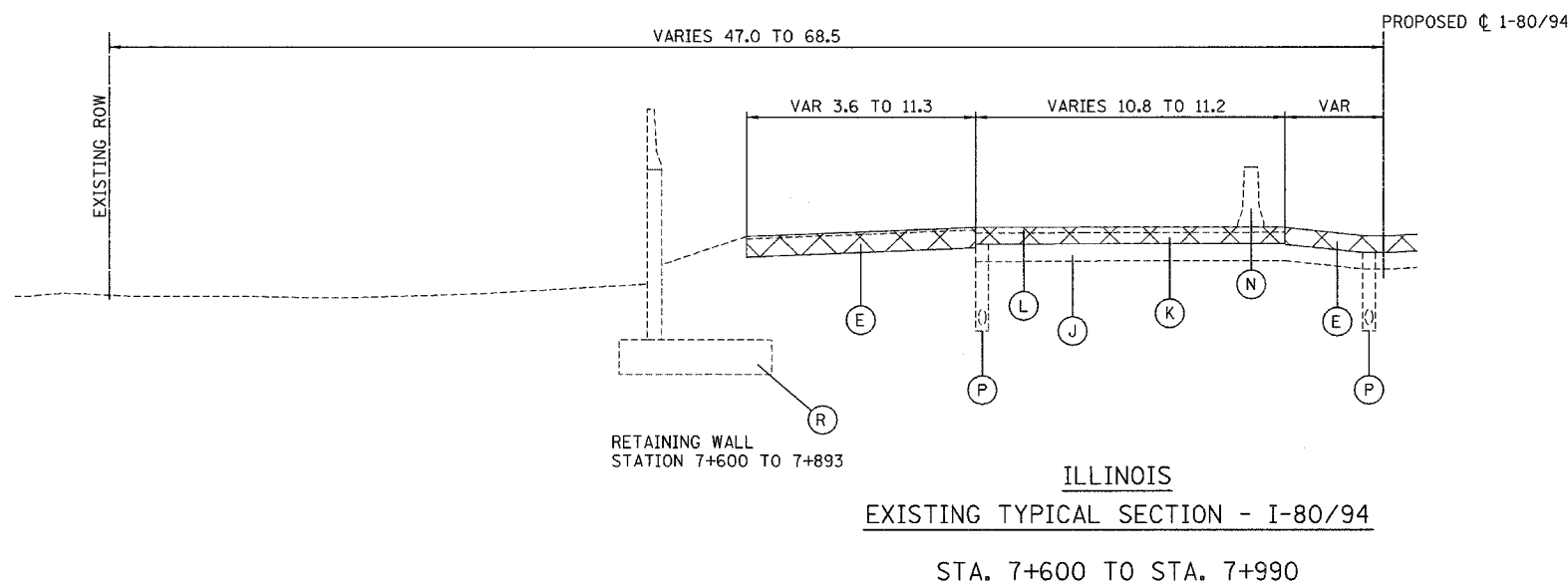
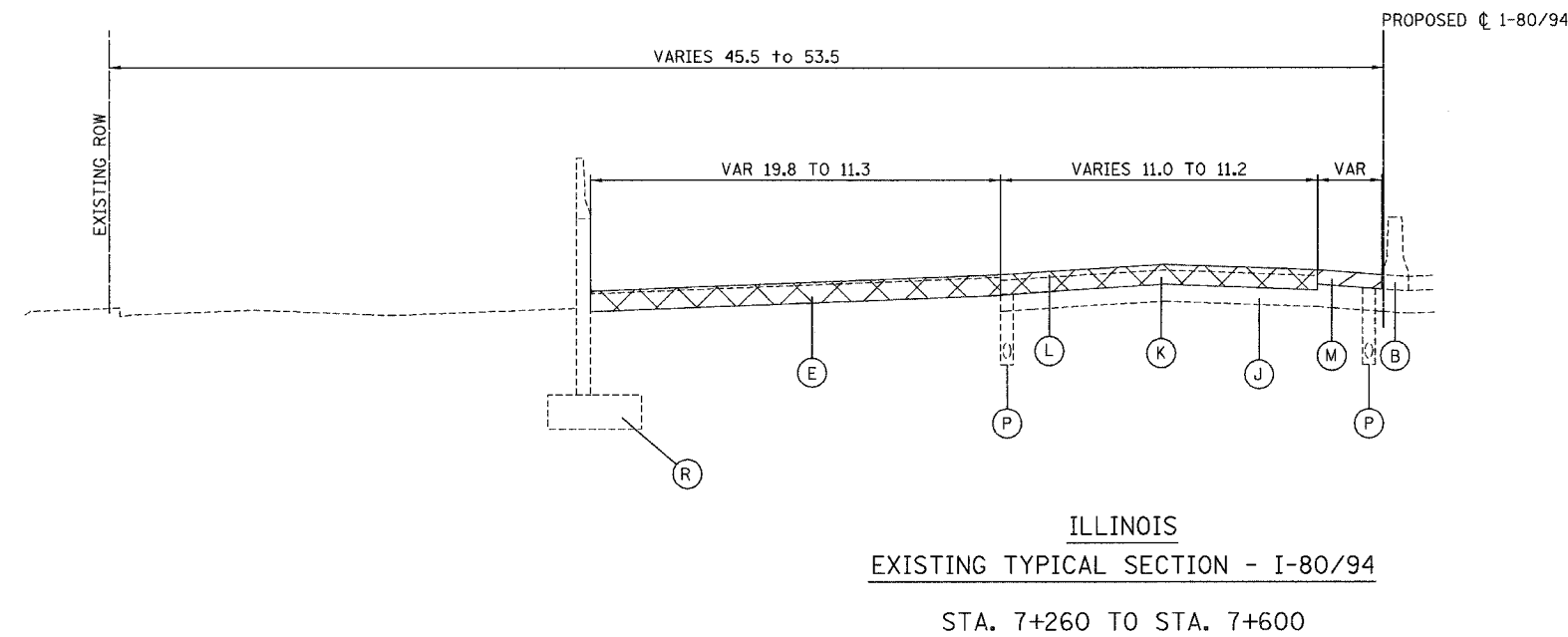
SCALE NTS
DATE 07/05

DRAWN BY ACE/CAD
CHECKED BY TAE

AMERICAN
CONSULTING ENGINEERS

ALL DIMENSIONS IN METERS EXCEPT PAY ITEMS AND UNLESS NOTED OTHERWISE

F.A.I. RTE.	SECTION	COUNTY	TOTAL SHEETS	SHEET NO.
80/94	2626.2-R-2	COOK/LAKE	1207	17
STA.		TO STA.		
FED. ROAD DIST. NO.	ILLINOIS	FED. AID PROJECT		
CONTRACT NO. 62114	INDOT DES. NO. 0100987			



- EXISTING LEGEND (ILLINOIS & INDIANA)**
- Ⓐ STEEL SHEET PILING REMOVAL
 - Ⓑ CONCRETE BARRIER REMOVAL
 - Ⓒ PORTLAND CEMENT CONCRETE SHOULDERS - 360MM
 - Ⓓ CONTINUOUSLY REINFORCED PORTLAND CEMENT CONCRETE PAVEMENT 360MM
 - Ⓔ BITUMINOUS PAVEMENT 360MM, TEMPORARY
 - Ⓕ SUB-BASE GRANULAR MATERIAL
 - Ⓖ STABILIZED SUB-BASE 150MM
 - Ⓗ CONCRETE BARRIER
 - Ⓘ BITUMINOUS SHOULDERS (SEE TABLE)
 - Ⓝ AGGREGATE SUBGRADE (300MM & VAR)
 - Ⓚ PORTLAND CEMENT CONCRETE PAVEMENT (275MM & VAR)
 - Ⓛ BITUMINOUS OVERLAY (115MM & VAR)
 - Ⓜ BITUMINOUS SHOULDER PAVEMENT (250MM & VAR)
 - Ⓝ TEMPORARY CONCRETE BARRIER
 - Ⓞ CONTROLLED LOW STRENGTH MATERIAL
 - Ⓟ PAVEMENT UNDERDRAIN
 - Ⓠ RETAINING WALL BUILT BY OTHERS
 - Ⓡ REINFORCED CONCRETE SHOULDERS
 - Ⓢ SINGLE PLATE BEAM GUARDRAIL
 - Ⓣ NOISE ABATEMENT WALL GROUND MOUNT
 - Ⓤ NOISE ABATEMENT WALL STRUCTURE MOUNT

- PAVEMENT REMOVAL
- PAVED SHOULDER REMOVAL
- CONCRETE REMOVAL
- PAVEMENT BREAKING

REVISIONS	
NAME	DATE

ILLINOIS DEPARTMENT OF TRANSPORTATION
I-80/94/US 6
KINGERY-BORMAN EXPRESSWAY
BURNHAM ROAD TO US 41
EXISTING TYPICAL SECTIONS
STA. 7+260 TO STA. 7+990
WESTBOUND I-80/94/US 6

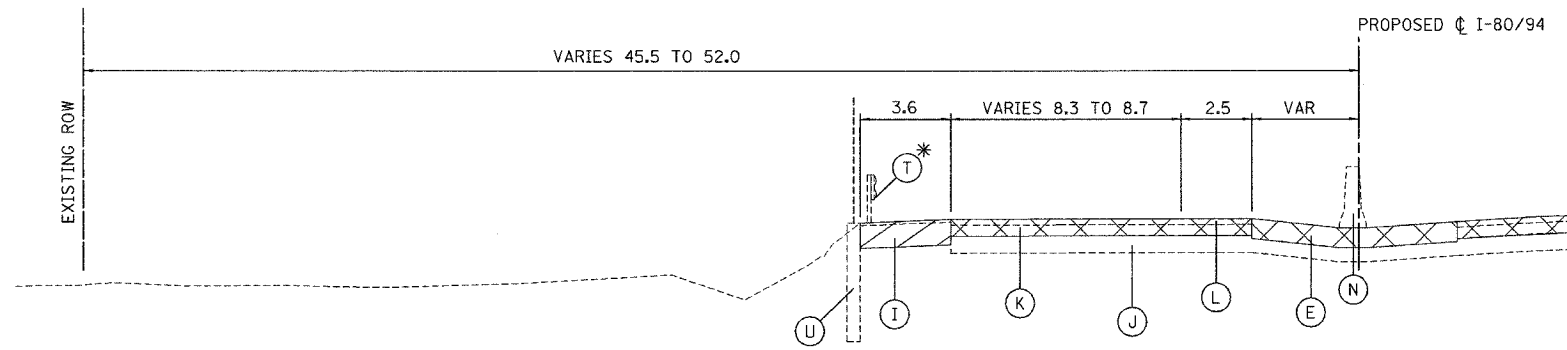
SCALE NTS
DATE 07/05

DRAWN BY ACE/CAD
CHECKED BY TAE

AMERICAN
CONSULTING ENGINEERS

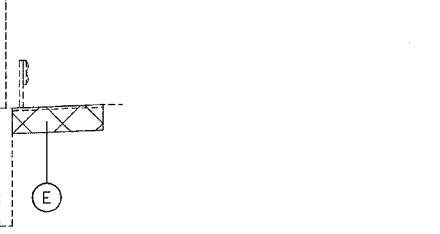
F.A.I. RTE.	SECTION	COUNTY	TOTAL SHEETS	SHEET NO.
80/94	2626.2-R-2	COOK/LAKE	1207	18
STA.		TO STA.		
FED. ROAD DIST. NO.		ILLINOIS FED. AID PROJECT		
CONTRACT NO. 62114		INDOT DES. NO. 0100987		

ALL DIMENSIONS IN METERS EXCEPT PAY ITEMS AND UNLESS NOTED OTHERWISE

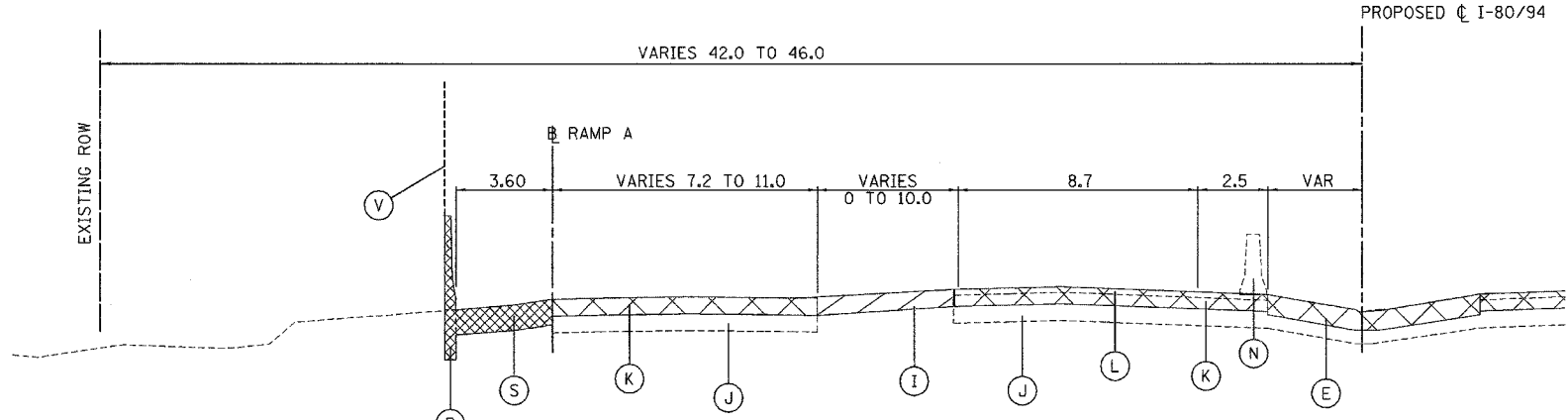


INDIANA
EXISTING TYPICAL SECTION - I-80/94

*BEGINS AT STA. 8+043



INDIANA
EXISTING TYPICAL SECTION - I-80/94



INDIANA
EXISTING TYPICAL SECTION - I-80/94

EXISTING LEGEND (ILLINOIS & INDIANA)

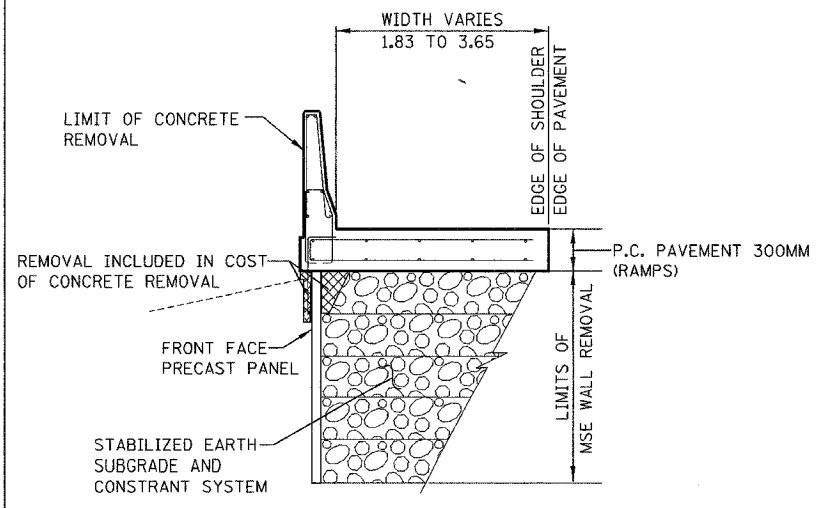
- (A) STEEL SHEET PILING REMOVAL
- (B) CONCRETE BARRIER REMOVAL
- (C) PORTLAND CEMENT CONCRETE SHOULDERS - 360MM
- (D) CONTINUOUSLY REINFORCED PORTLAND CEMENT CONCRETE PAVEMENT 360MM
- (E) BITUMINOUS PAVEMENT 360MM, TEMPORARY
- (F) SUB-BASE GRANULAR MATERIAL
- (G) STABILIZED SUB-BASE 150MM
- (H) CONCRETE BARRIER
- (I) BITUMINOUS SHOULDERS (SEE TABLE)
- (J) AGGREGATE SUBGRADE (300MM & VAR)
- (K) PORTLAND CEMENT CONCRETE PAVEMENT (275MM & VAR)
- (L) BITUMINOUS OVERLAY (115MM & VAR)
- (M) BITUMINOUS SHOULDER PAVEMENT (250MM & VAR)
- (N) TEMPORARY CONCRETE BARRIER
- (O) CONTROLLED LOW STRENGTH MATERIAL
- (P) PAVEMENT UNDERDRAIN
- (R) RETAINING WALL BUILT BY OTHERS
- (S) REINFORCED CONCRETE SHOULDERS
- (T) SINGLE PLATE BEAM GUARDRAIL
- (U) NOISE ABATEMENT WALL GROUND MOUNT
- (V) NOISE ABATEMENT WALL STRUCTURE MOUNT

- PAVEMENT REMOVAL
- PAVED SHOULDER REMOVAL
- CONCRETE REMOVAL
- PAVEMENT BREAKING

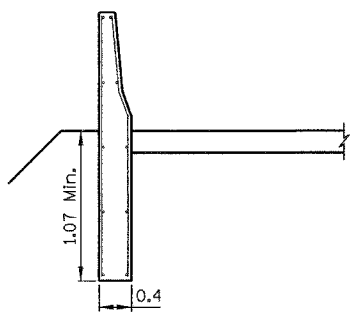
SHOULDER THICKNESS TABLE

TYPE	OFFSET	STATIONS	ESTIMATED THICKNESS
BITUMINOUS	LEFT	7+990 TO 8+580	400 mm

NOTE: THE TABLE PRESENTS THICKNESS OF ORIGINAL I-80/94 SHOULDERS REMAINING TO BE REMOVED IN PHASE III (2006). OTHER SHOULDERS REMOVED AND REPLACED WITH TEMPORARY PAVEMENT IN PREVIOUS PHASES ARE LABEL (E).



EXISTING REINFORCED CONCRETE SHOULDER
WB STA. 8+927.0 TO STA. 9+109.9 (WITH NOISE ABATEMENT WALL)
EB STA. 9+052.7 TO STA. 9+169.3 (CONCRETE REMOVAL)
EB MSE WALL REMOVAL AS NEEDED FOR STORM SEWER INSTALLATION



EXISTING SPECIAL CONCRETE BARRIER
EB STA. 9+169.3 TO STA. 9+210.9
REMOVAL PAID AS CONCRETE REMOVAL

BRIDGE OMISSIONS:
HOHMAN 8+191 TO 8+256
LIT. CAL. 8+405 TO 8+595
HARRISON 8+727 TO 8+776

ILLINOIS DEPARTMENT OF TRANSPORTATION
I-80/94/US 6
KINGERY-BORMAN EXPRESSWAY
BURNHAM ROAD TO US 41
EXISTING TYPICAL SECTIONS
STA. 7+990 TO STA. 9+102
WESTBOUND I-80/94/US 6

SCALE NTS
DATE 07/05

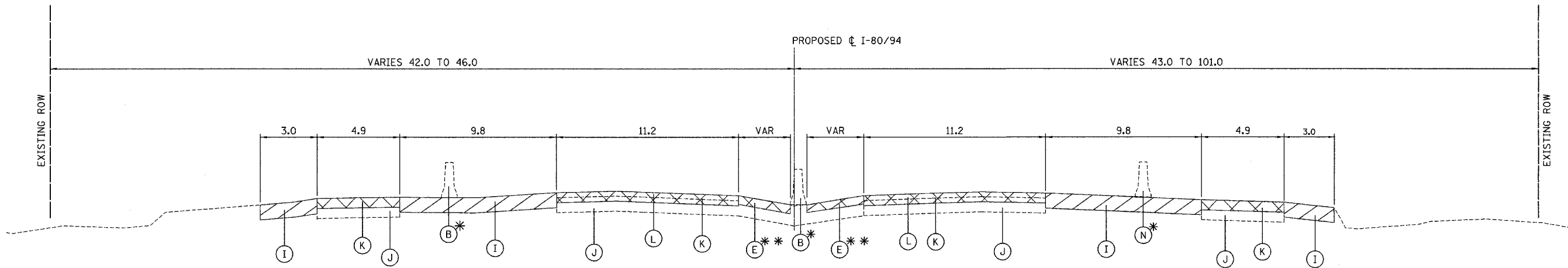
DRAWN BY ACE/CAD
CHECKED BY TAE

AMERICAN
CONSULTING ENGINEERS

REVISIONS	
NAME	DATE

ALL DIMENSIONS IN METERS EXCEPT PAVEMENT ITEMS AND UNLESS NOTED OTHERWISE

F.A.I. RTE.	SECTION	COUNTY	TOTAL SHEETS	SHEET NO.
80/94	2626.2-R-2	COOK/LAKE	1207	19
STA.	TO STA.			
FED. ROAD DIST. NO.	ILLINOIS	FED. AID PROJECT		
CONTRACT NO. 62114	INDOT DES. NO. 0100987			



WESTBOUND
 STA. 9+110 TO STA. 9+395
 *STA. 9+110 TO STA. 9+395 CONCRETE BARRIER
 STA. 9+395 TO STA. 9+416 TEMPORARY CONCRETE BARRIER

INDIANA
EXISTING TYPICAL SECTION - I-80/94
 *STA. 9+201 TO STA. 9+226 CONCRETE BARRIER
 STA. 9+250 TO STA. 9+350 TEMPORARY CONCRETE BARRIER (BRIDGE PIERS)

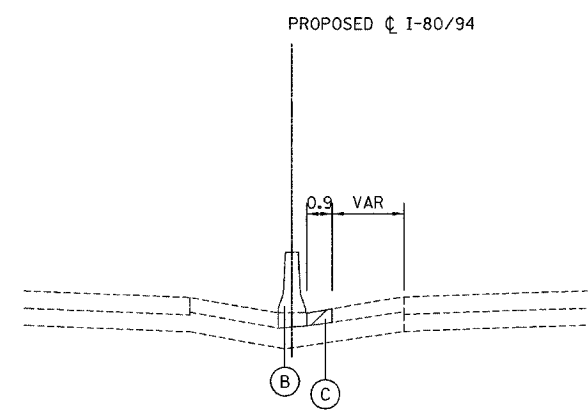
EASTBOUND
 STA. 9+227 TO STA. 9+375
 *STA. 9+227 TO STA. 9+444 TEMPORARY CONCRETE BARRIER

* * ① PAVED SHOULDER REMOVAL
 STA. 9+250 TO STA. 9+395 WB
 STA. 9+250 TO STA. 9+375 EB

EXISTING LEGEND

- Ⓐ STEEL SHEET PILING REMOVAL
- Ⓑ CONCRETE BARRIER REMOVAL
- Ⓒ PORTLAND CEMENT CONCRETE SHOULDERS - 360MM
- Ⓓ CONTINUOUSLY REINFORCED PORTLAND CEMENT CONCRETE PAVEMENT 360MM
- Ⓔ BITUMINOUS PAVEMENT 360MM, TEMPORARY
- Ⓕ SUB-BASE GRANULAR MATERIAL
- Ⓖ STABILIZED SUB-BASE 150MM
- Ⓗ CONCRETE BARRIER
- Ⓘ BITUMINOUS SHOULDERS (SEE TABLE)
- Ⓝ AGGREGATE SUBGRADE (300MM & VAR)
- Ⓚ PORTLAND CEMENT CONCRETE PAVEMENT (275MM & VAR)
- Ⓛ BITUMINOUS OVERLAY (115MM & VAR)
- Ⓜ BITUMINOUS SHOULDER PAVEMENT (250MM & VAR)
- Ⓝ TEMPORARY CONCRETE BARRIER
- Ⓞ CONTROLLED LOW STRENGTH MATERIAL
- Ⓟ PAVEMENT UNDERDRAIN
- Ⓠ RETAINING WALL BUILT BY OTHERS
- Ⓡ REINFORCED CONCRETE SHOULDERS
- Ⓢ SINGLE PLATE BEAM GUARDRAIL
- Ⓣ NOISE ABATEMENT WALL GROUND MOUNT
- Ⓤ NOISE ABATEMENT WALL STRUCTURE MOUNT

- Ⓧ PAVEMENT REMOVAL
- Ⓨ PAVED SHOULDER REMOVAL
- Ⓩ CONCRETE REMOVAL
- ⓐ PAVEMENT BREAKING



EXISTING TYPICAL SECTION - I-80/94
 STA. 9+382 TO STA. 9+650

SHOULDER THICKNESS TABLE

TYPE	OFFSET	STATIONS	ESTIMATED THICKNESS
CONCRETE	RIGHT	9+045.00 TO 9+275.00	300 mm

NOTE: THE TABLE PRESENTS THICKNESS OF ORIGINAL I-80/94 SHOULDERS REMAINING TO BE REMOVED IN PHASE III (2006). OTHER SHOULDERS REMOVED AND REPLACED WITH TEMPORARY PAVEMENT IN PREVIOUS PHASES ARE LABEL E.

REVISIONS	
NAME	DATE

ILLINOIS DEPARTMENT OF TRANSPORTATION
 I-80/94/US 6
 KINGERY-BORMAN EXPRESSWAY
 BURNHAM ROAD TO US 41
EXISTING TYPICAL SECTIONS
STA. 9+110 TO STA. 9+395
I-80/94/US 6

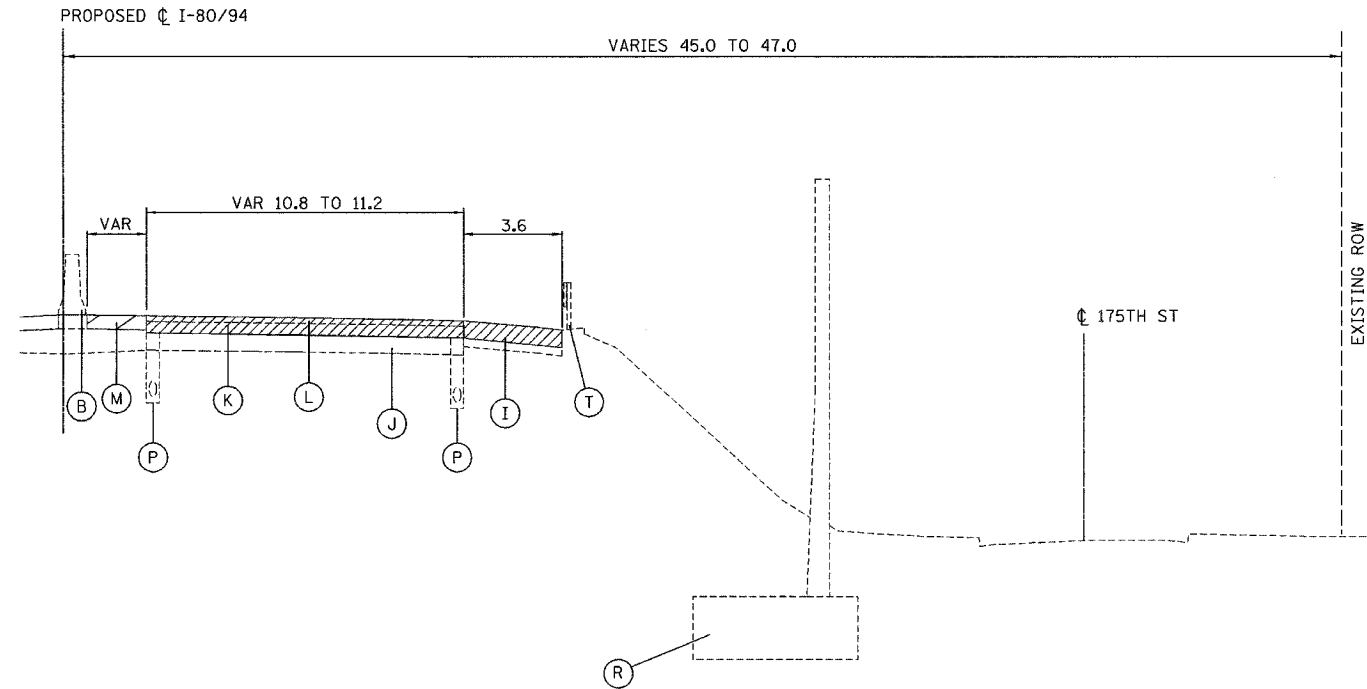
SCALE NTS
 DATE 07/05

DRAWN BY ACE/CAD
 CHECKED BY TAE

AMERICAN
 CONSULTING ENGINEERS

ALL DIMENSIONS IN METERS EXCEPT PAY ITEMS AND UNLESS NOTED OTHERWISE

F.A.I. RTE.	SECTION	COUNTY	TOTAL SHEETS	SHEET NO.
80/94	2626.2-R-2	COOK/LAKE	1207	20
STA.		TO STA.		
FED. ROAD DIST. NO.		ILLINOIS	FED. AID PROJECT	
CONTRACT NO. 62114		INDOT DES. NO. 0100987		



ILLINOIS
EXISTING TYPICAL SECTION - I-80/94
STA. 6+814 TO STA. 7+125
GUARDRAIL TO STA. 7+068

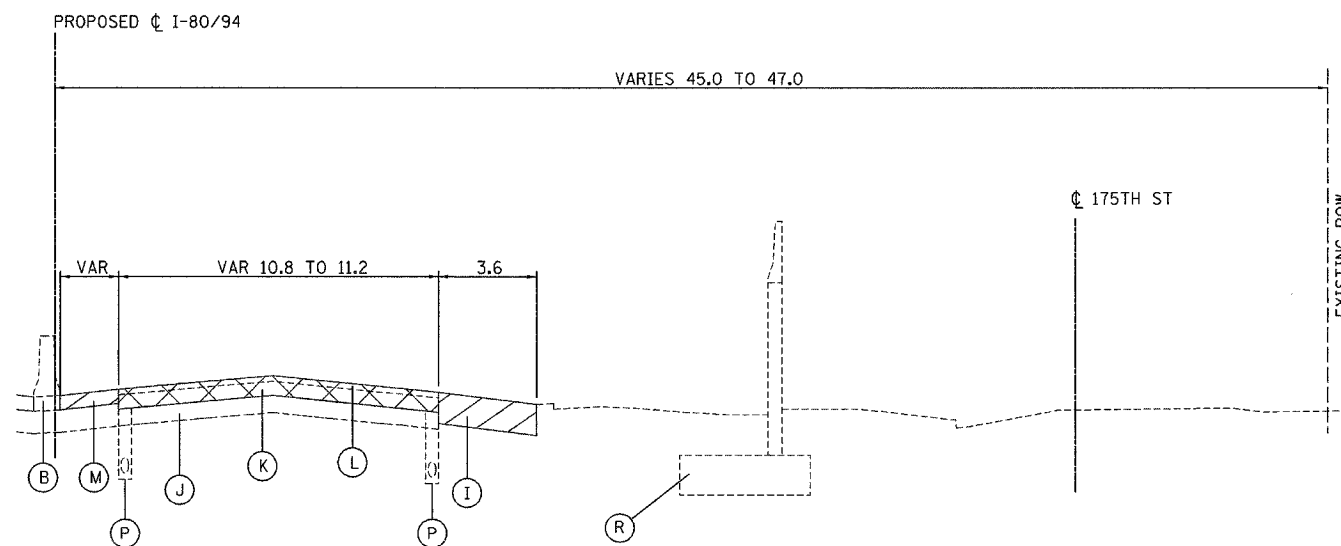
- EXISTING LEGEND (ILLINOIS & INDIANA)
- Ⓐ STEEL SHEET PILING REMOVAL
 - Ⓑ CONCRETE BARRIER REMOVAL
 - Ⓒ PORTLAND CEMENT CONCRETE SHOULDERS - 360MM
 - Ⓓ CONTINUOUSLY REINFORCED PORTLAND CEMENT CONCRETE PAVEMENT 360MM
 - Ⓔ BITUMINOUS PAVEMENT 360MM, TEMPORARY
 - Ⓕ SUB-BASE GRANULAR MATERIAL
 - Ⓖ STABILIZED SUB-BASE 150MM
 - Ⓗ CONCRETE BARRIER
 - Ⓘ BITUMINOUS SHOULDERS (SEE TABLE)
 - Ⓝ AGGREGATE SUBGRADE (300MM & VAR)
 - Ⓚ PORTLAND CEMENT CONCRETE PAVEMENT (275MM & VAR)
 - Ⓛ BITUMINOUS OVERLAY (115MM & VAR)
 - Ⓜ BITUMINOUS SHOULDER PAVEMENT (250MM & VAR)
 - Ⓝ TEMPORARY CONCRETE BARRIER
 - Ⓞ CONTROLLED LOW STRENGTH MATERIAL
 - Ⓟ PAVEMENT UNDERDRAIN
 - Ⓡ RETAINING WALL BUILT BY OTHERS
 - Ⓢ REINFORCED CONCRETE SHOULDERS
 - Ⓣ SINGLE PLATE BEAM GUARDRAIL
 - Ⓤ NOISE ABATEMENT WALL GROUND MOUNT
 - Ⓥ NOISE ABATEMENT WALL STRUCTURE MOUNT

- PAVEMENT REMOVAL
- PAVED SHOULDER REMOVAL
- CONCRETE REMOVAL
- PAVEMENT BREAKING

SHOULDER THICKNESS TABLE

TYPE	OFFSET	STATIONS	ESTIMATED THICKNESS
BITUMINOUS	RIGHT	6+814.72 TO 8+300.00	400 mm
BITUMINOUS	RIGHT	8+300.00 TO 9+045.00	175 mm
CONCRETE	RIGHT	9+045.00 TO 9+275.00	300 mm

NOTE: THE TABLE PRESENTS THICKNESS OF ORIGINAL I-80/94 SHOULDERS REMAINING TO BE REMOVED IN PHASE III (2006). OTHER SHOULDERS REMOVED AND REPLACED WITH TEMPORARY PAVEMENT IN PREVIOUS PHASES ARE LABEL (E).



ILLINOIS
EXISTING TYPICAL SECTION - I-80/94
STA. 7+125 TO STA. 7+600
TEMPORARY CONCRETE BARRIER FROM STA. 7+068

REVISIONS	
NAME	DATE

ILLINOIS DEPARTMENT OF TRANSPORTATION
I-80/94/US 6
KINGERY-BORMAN EXPRESSWAY
BURNHAM ROAD TO US 41
EXISTING TYPICAL SECTIONS
STA. 6+814 to STA. 7+600
EASTBOUND I-80/94/US 6

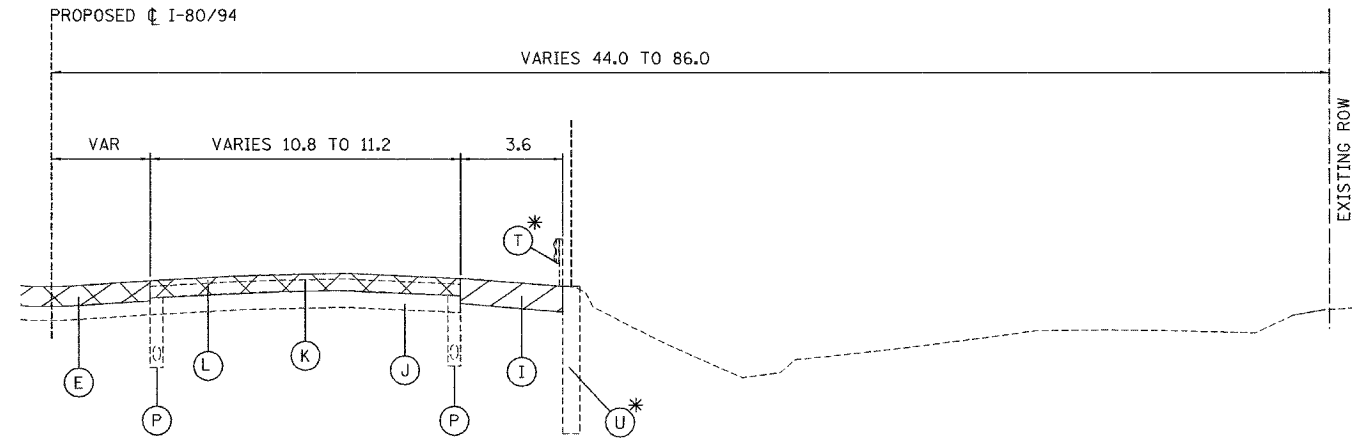
SCALE NTS
DATE 07/05

DRAWN BY ACE/CAD
CHECKED BY TAE

AMERICAN
CONSULTING ENGINEERS

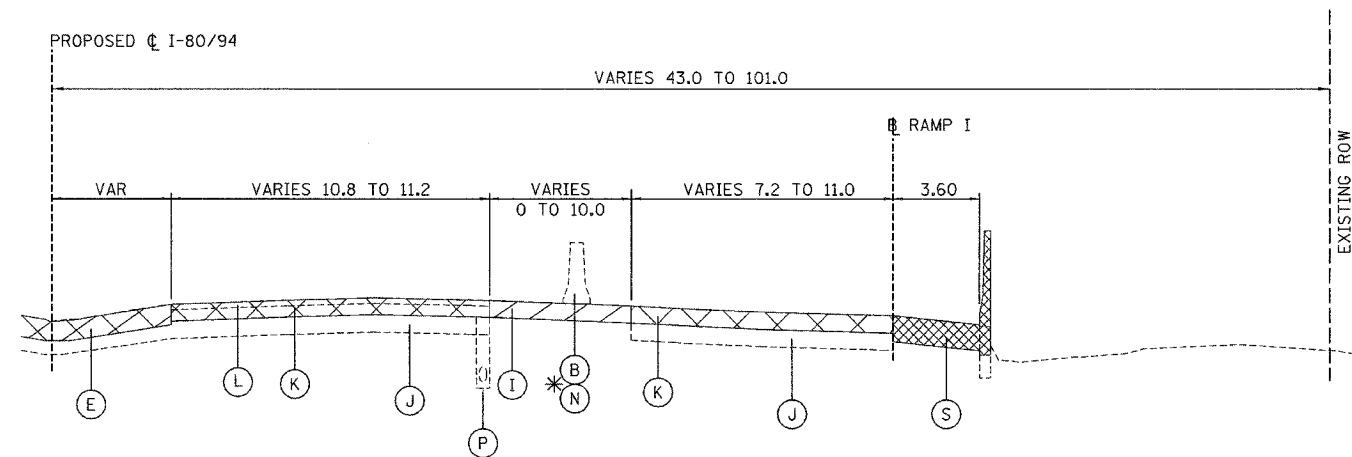
ALL DIMENSIONS IN METERS EXCEPT PAY ITEMS AND UNLESS NOTED OTHERWISE

F.A.I. RTE.	SECTION	COUNTY	TOTAL SHEETS	SHEET NO.
80/94	2626.2-R-2	COOK/LAKE	1207	21
STA.	TO STA.			
FED. ROAD DIST. NO.	ILLINOIS	FED. AID PROJECT		
CONTRACT NO. 62114	INDOT DES. NO. 0100987			



ILLINOIS & INDIANA
EXISTING TYPICAL SECTION - I-80/94

STA. 7+600 TO STA. 9+050
*GROUND MOUNTED NOISE WALL WITH GUARDRAIL
STA. 8+783 TO STA. 8+936



INDIANA
EXISTING TYPICAL SECTION - I-80/94

STA. 9+050 TO STA. 9+227
CONCRETE BARRIER
(B) STA. 9+193 TO STA. 9+201
*(N) STA. 9+201 TO STA. 9+227
OTHERWISE NO BARRIER PRESENT

EXISTING LEGEND

- (A) STEEL SHEET PILING REMOVAL
- (B) CONCRETE BARRIER REMOVAL
- (C) PORTLAND CEMENT CONCRETE SHOULDERS - 360MM
- (D) CONTINUOUSLY REINFORCED PORTLAND CEMENT CONCRETE PAVEMENT 360MM
- (E) BITUMINOUS PAVEMENT 360MM, TEMPORARY
- (F) SUB-BASE GRANULAR MATERIAL
- (G) STABILIZED SUB-BASE 150MM
- (H) CONCRETE BARRIER
- (I) BITUMINOUS SHOULDERS (SEE TABLE)
- (J) AGGREGATE SUBGRADE (300MM & VAR)
- (K) PORTLAND CEMENT CONCRETE PAVEMENT (275MM & VAR)
- (L) BITUMINOUS OVERLAY (115MM & VAR)
- (M) BITUMINOUS SHOULDER PAVEMENT (250MM & VAR)
- (N) TEMPORARY CONCRETE BARRIER
- (O) CONTROLLED LOW STRENGTH MATERIAL
- (P) PAVEMENT UNDERDRAIN
- (R) RETAINING WALL BUILT BY OTHERS
- (S) REINFORCED CONCRETE SHOULDERS
- (T) SINGLE PLATE BEAM GUARDRAIL
- (U) NOISE ABATEMENT WALL GROUND MOUNT
- (V) NOISE ABATEMENT WALL STRUCTURE MOUNT

- PAVEMENT REMOVAL
- PAVED SHOULDER REMOVAL
- CONCRETE REMOVAL
- PAVEMENT BREAKING

SHOULDER THICKNESS TABLE

TYPE	OFFSET	STATIONS	ESTIMATED THICKNESS
BITUMINOUS	RIGHT	6+814.72 TO 8+300.00	400 mm
BITUMINOUS	RIGHT	8+300.00 TO 9+045.00	175 mm
CONCRETE	RIGHT	9+045.00 TO 9+275.00	300 mm

NOTE: THE TABLE PRESENTS THICKNESS OF ORIGINAL I-80/94 SHOULDERS REMAINING TO BE REMOVED IN PHASE III (2006). OTHER SHOULDERS REMOVED AND REPLACED WITH TEMPORARY PAVEMENT IN PREVIOUS PHASES ARE LABEL (E).

BRIDGE OMISSIONS:
HOHMAN 8+197 TO 8+262
LIT. CAL. 8+419 TO 8+603
HARRISON 8+732 TO 8+782

REVISIONS	
NAME	DATE

ILLINOIS DEPARTMENT OF TRANSPORTATION
I-80/94/US 6
KINGERY-BORMAN EXPRESSWAY
BURNHAM ROAD TO US 41
EXISTING TYPICAL SECTIONS
STA. 7+600 TO STA. 9+227
EASTBOUND I-80/94/US 6

SCALE NTS
DATE 07/05

DRAWN BY ACE/CAD
CHECKED BY TAE

AMERICAN
CONSULTING ENGINEERS

ALL DIMENSIONS IN METERS EXCEPT PAVEMENT ITEMS AND UNLESS NOTED OTHERWISE

F.A.I. RTE.	SECTION	COUNTY	TOTAL SHEETS	SHEET NO.
80/94	2626.2-R-2	COOK/LAKE	1207	22
STA.		TO STA.		
FED. ROAD DIST. NO.		ILLINOIS	FED. AID PROJECT	
CONTRACT NO. 62114		INDOT DES. NO. 0100987		

PROPOSED LEGEND (ILLINOIS)

PROPOSED SECTION LEGEND - ILLINOIS

- ① EARTH EXCAVATION
- ② EARTH EXCAVATION (SPECIAL)
- ③ EMBANKMENT * *
- ④ GEOTECHNICAL FABRIC FOR GROUND STABILIZATION
- ⑤ TOPSOIL FURNISH AND PLACE, 150MM & SEEDING, CLASS 2A
- ⑥ NOT USED
- ⑦ SUB-BASE GRANULAR MATERIAL, TYPE B 300MM * *
75 MM GRANULAR SUBBASE CAP
225 MM GRANULAR SUBBASE
- ⑧ STABILIZED SUB-BASE 150MM * *
- ⑨ CONTINUOUSLY REINFORCED PORTLAND CEMENT CONCRETE PAVEMENT 360MM * *
- ⑩ PAVEMENT REINFORCEMENT 360MM
- ⑪ PORTLAND CEMENT CONCRETE SHOULDERS - 360MM * *
- ⑫ PIPE UNDERDRAINS 150MM
- ⑬ CONCRETE BARRIER, DOUBLE FACE, 1065 HEIGHT OR
- ⑭ CONCRETE BARRIER BASE
- ⑮ NOT USED
- ⑯ BARRIER SUPPORT STRUCTURE FOR NOISE ABATEMENT WALL
- ⑰ STRUCTURE MOUNTED NOISE ABATEMENT WALL

⑱ LONGITUDINAL JOINTS (LJ)
(INCLUDED IN THE COST OF CRC PAVEMENT OR PCC SHOULDER)
CONSTRUCTION JOINT W/ NO. 25 DEFORMED TIE BARS (EPOXY COATED) 600 mm LONG AT 600 mm CTRS, GROUT IN PLACE
SAWED JOINT W/ NO. 20 DEFORMED TIE BARS (EPOXY COATED) 750 mm LONG AT 750 mm CTRS

* * ITEM TO BE CONSTRUCTED TO EXTENDED LIFE CONCRETE PAVEMENT SPECIFICATIONS
NOTE:
SEE PIPE UNDERDRAIN AND SUBGRADE DETAILS FOR INFO ON INSTALLATION OF ITEM ④ AND ⑫ IN ILLINOIS.

BRIDGE OMISSIONS:

STA 8+193.7 TO 8+246.2 HOHMAN AVE BRIDGE
STA 8+410.9 TO 8+599.1 LITTLE CAL BRIDGE
STA 8+726.7 TO 8+781.0 HARRISON ST BRIDGE

CRC REINFORCEMENT CHART ON STANDARD 421001 SHALL BE MODIFIED AS FOLLOWS:

PAVEMENT WIDTH	A	B	C	D
3.6 M	26 SPACES (27 BARS) AT 132MM	90MM	75MM	660MM
4.2 M	31 SPACES (32 BARS) AT 130 MM	90MM	75MM	660MM
4.9 M	35 SPACES (36 BARS) AT 135MM	95MM	85MM	660MM

THE REINFORCEMENT SHALL BE 115 MM FROM THE TOP OF PAVEMENT.

PROPOSED LEGEND (INDIANA)

(STA 7+950 TO STA 9+395.341)

- ① QC/QA PCCP, 400 MM (INDIANA)
- ①A QC/QA PCCP, 330 MM (INDIANA)
- ② QC/QA REINFORCED PCCP FOR SHOULDER, 400 MM (INDIANA)
- ③ SUBBASE FOR PCCP (INDIANA) (225 MM)
75 MM DENSE GRADED SUBBASE
150 MM SUBBASE FOR PCCP
- ④ PIPE TYPE 4, CIRCULAR, 150 MM (INDIANA)
- ⑤ BARRIER, CONCRETE 1145 MM (INDIANA)
- ⑤A BARRIER, CONCRETE 840 MM (INDIANA)
- ⑥ BARRIER, CONCRETE, 1145 mm, MODIFIED (INDIANA)
- ⑦ RETAINING WALL (SEE STRUCTURE DETAILS)
- ⑧ TOPSOIL FURNISH AND PLACE, 150MM & SEEDING, CLASS 2A
- ⑨ BORROW (INDIANA)
- ⑨A B BORROW (INDIANA)
- ⑨B STRUCTURE BACKFILL
- ⑩ EARTH EXCAVATION
- ⑪ SUBGRADE TREATMENT TYPE 1A (INDIANA) (12" COARSE AGGREGATE NO. 53)
- ⑪A COMPACTED AGGREGATE, NO. 73
- ⑫ SOUND BARRIER SYSTEM, TYPE 2 (INDIANA) (SEE NOISE WALL DETAILS)
- ⑬ LONGITUDINAL JOINT (PER 503-CCPJ-02, 03, 04, 07 AND 08)
(INCLUDED IN THE COST OF QC/QA PCCP, PAVEMENT)

BITUMINOUS MIX REQUIREMENT CHART

MIXTURE TYPE	PG	RAP % MAX	AIR VOIDS	UNIT WT. (ESTIMATE)
STABILIZED SUB-BASE 150MM	PG 58-22	25	3% @ 50	2.46 KG/MM/SQ-M
CLASS D PATCHES, TYPE IV, 350MM (IL-25MM, SUPERPAVE)	PG 64-22	0	4% @ 105	2.46 KG/MM/SQ-M
CLASS D PATCHES, TYPE IV, ALL NON INTERSTATE (IL-19MM, SUPERPAVE)	PG 64-22	0	4% @ 70	2.46 KG/MM/SQ-M
TEMPORARY PAVEMENT INTERSTATE				
POLYMERIZED BITUMINOUS CONCRETE SURFACE COURSE, SUPERPAVE, MIX "F", N105 (45MM)	SBS 70-22	0	4% @ 105	2.39 KG/MM/SQ-M
BITUMINOUS CONCRETE BINDER COURSE, SUPERPAVE IL-19, N105 (310MM)	PG 64-22	0	4% @ 105	2.46 KG/MM/SQ-M
STABILIZED CONSTRUCTION ENTRANCE				
BITUMINOUS CONCRETE SURFACE COURSE, SUPERPAVE, MIX "D", N50 (45MM)	PG 64-22	10	4% @ 50	2.39 KG/MM/SQ-M
BITUMINOUS BASE COURSE, SUPERPAVE (210MM)	PG 64-22	50	2% @ 50	2.46 KG/MM/SQ-M
COMMERCIAL DRIVEWAYS				
BITUMINOUS CONCRETE SURFACE COURSE, SUPERPAVE, MIX "C", N50 (50 MM)	PG 64-22	15	4% @ 50	2.39 KG/MM/SQ-M
BITUMINOUS BASE COURSE, SUPERPAVE (200MM)	PG 58-22	50	2% @ 50	2.46 KG/MM/SQ-M
LOCAL ROADS				
BITUMINOUS CONCRETE SURFACE COURSE, SUPERPAVE, MIX "C", N50 (40MM)	PG 64-22	15	2% @ 50	2.39 KG/MM/SQ-M
BITUMINOUS CONCRETE BINDER COURSE, SUPERPAVE IL-19, N50 (150MM)	PG 58-22	25	4% @ 50	2.46 KG/MM/SQ-M

REVISIONS	
NAME	DATE

ILLINOIS DEPARTMENT OF TRANSPORTATION
I-80/94/US 6
KINGERY-BORMAN EXPRESSWAY
BURNHAM ROAD TO US 41
**PROPOSED TYPICAL SECTION
LEGENDS AND TABLES
I-80/94/US 6**

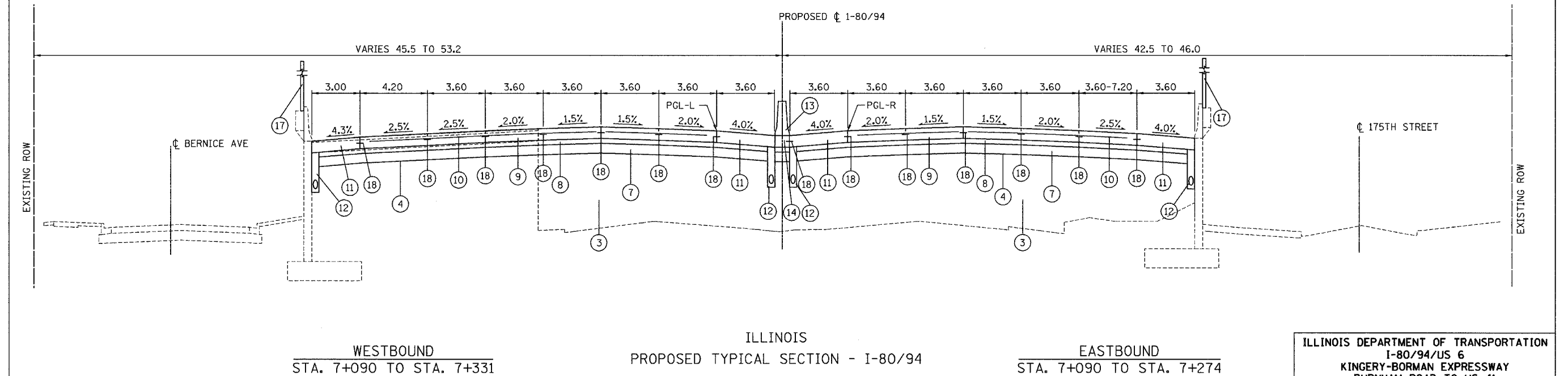
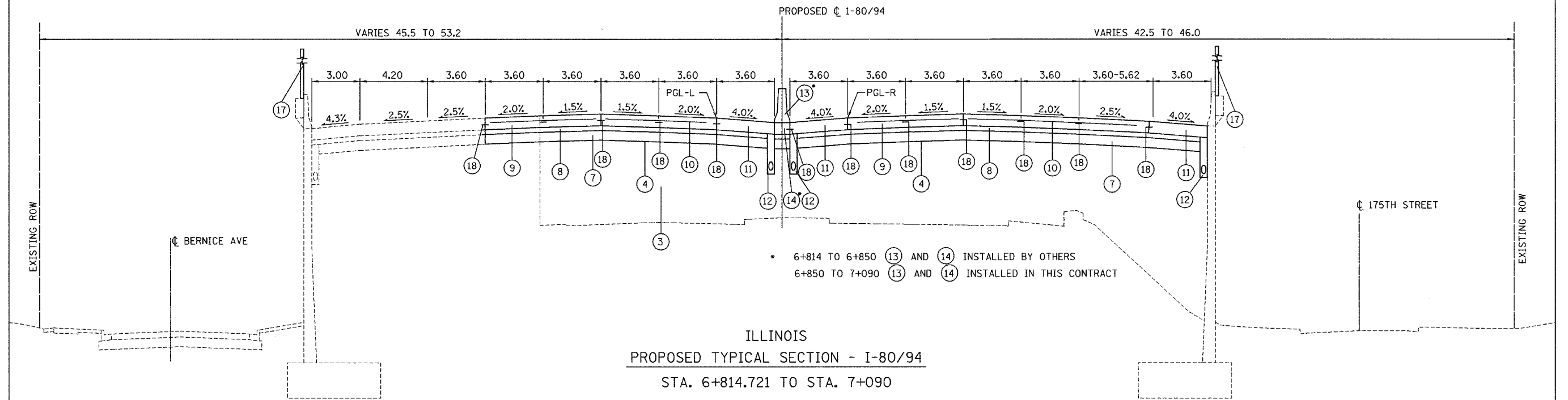
SCALE NTS
DATE 07/05

DRAWN BY ACE/CAD
CHECKED BY TAE

AMERICAN
CONSULTING ENGINEERS

ALL DIMENSIONS IN METERS EXCEPT PAY ITEMS AND UNLESS NOTED OTHERWISE

F.A.I. RTE.	SECTION	COUNTY	TOTAL SHEETS	SHEET NO.
80/94	2626.2-R-2	COOK/LAKE	1207	23
STA.		TO STA.		
FED. ROAD DIST. NO.		ILLINOIS FED. AID PROJECT		
CONTRACT NO. 62114		INDOT DES. NO. 0100987		



NOTE:
FOR PROPOSED LEGEND (ILLINOIS) SEE PROPOSED TYPICAL SECTION LEGENDS AND TABLES.

REVISIONS	
NAME	DATE

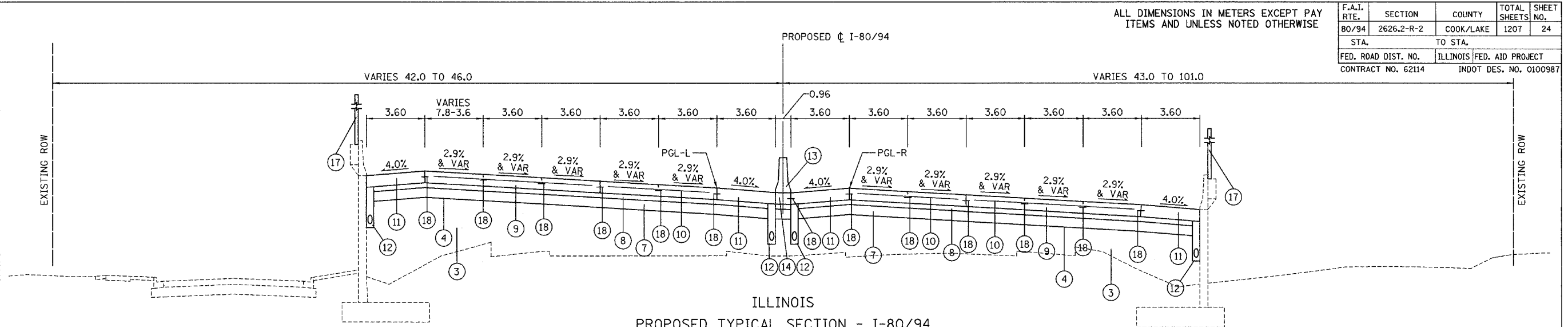
ILLINOIS DEPARTMENT OF TRANSPORTATION
I-80/94/US 6
KINGERY-BORMAN EXPRESSWAY
BURNHAM ROAD TO US 41
PROPOSED TYPICAL SECTION
STA. 6+814.721 TO STA. 7+331
I-80/94/US 6

SCALE NTS DRAWN BY ACE/CAD
DATE 07/05 CHECKED BY TAE

AMERICAN
CONSULTING ENGINEERS

ALL DIMENSIONS IN METERS EXCEPT PAVEMENT ITEMS AND UNLESS NOTED OTHERWISE

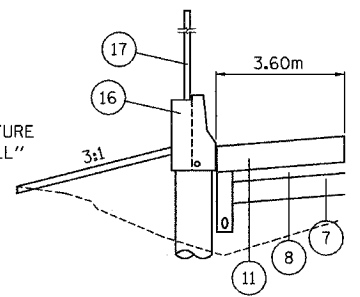
F.A.I. RTE.	SECTION	COUNTY	TOTAL SHEETS	SHEET NO.
80/94	2626.2-R-2	COOK/LAKE	1207	24
STA.	TO STA.			
FED. ROAD DIST. NO.	ILLINOIS	FED. AID PROJECT		
CONTRACT NO. 62114	INDOT DES. NO. 0100987			



ILLINOIS
PROPOSED TYPICAL SECTION - I-80/94

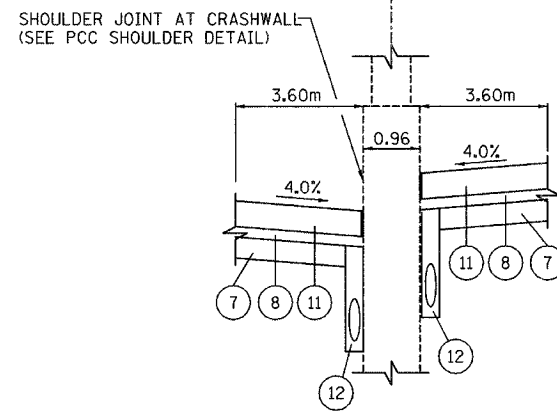
WESTBOUND
STA. 7+331 TO STA. 7+950
(5-LANE SECTION AT STA. 7+541)

EASTBOUND
STA. 7+274 TO STA. 7+950

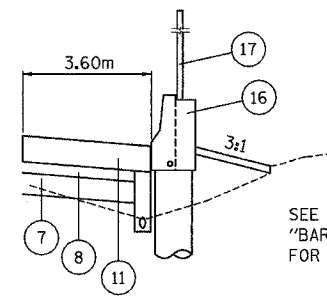


SHOULDER DETAIL
STA. 7+465 TO STA. 7+544

SEE DETAIL "BARRIER SUPPORT STRUCTURE FOR NOISE ABATEMENT WALL"



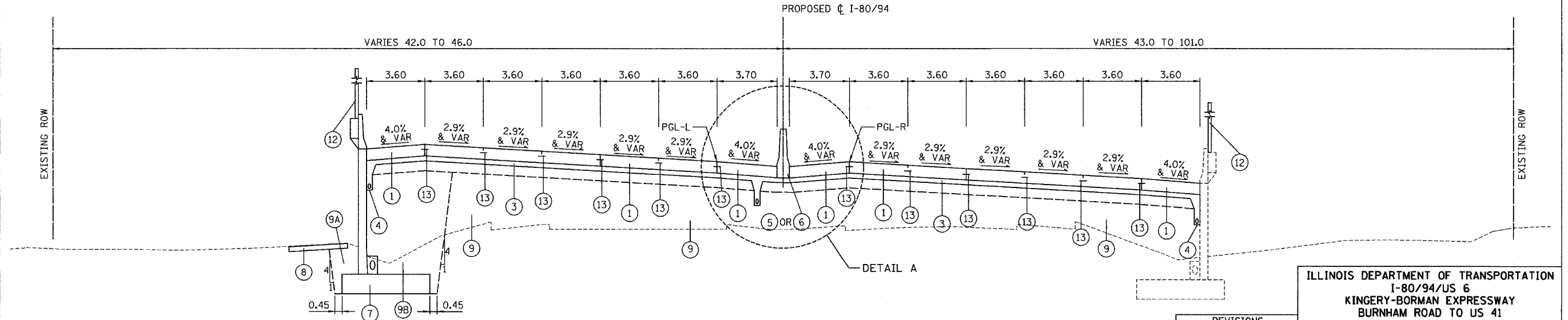
VARIABLE HEIGHT BARRIER AND PIER DETAIL



SHOULDER DETAIL
STA. 7+621 TO STA. 7+820

SEE DETAIL "BARRIER SUPPORT STRUCTURE FOR NOISE ABATEMENT WALL"

FOR PROPOSED LEGEND (ILLINOIS) SEE PROPOSED TYPICAL SECTION LEGENDS AND TABLES.



INDIANA
PROPOSED TYPICAL SECTION - I-80/94

STA. 7+950 TO STA. 8+164

FOR PROPOSED LEGEND (INDIANA) SEE PROPOSED TYPICAL SECTION LEGENDS AND TABLES.

REVISIONS	
NAME	DATE

ILLINOIS DEPARTMENT OF TRANSPORTATION
I-80/94/US 6
KINGERY-BORMAN EXPRESSWAY
BURNHAM ROAD TO US 41
PROPOSED TYPICAL SECTION
STA. 7+274 TO STA. 8+164
I-80/94/US 6

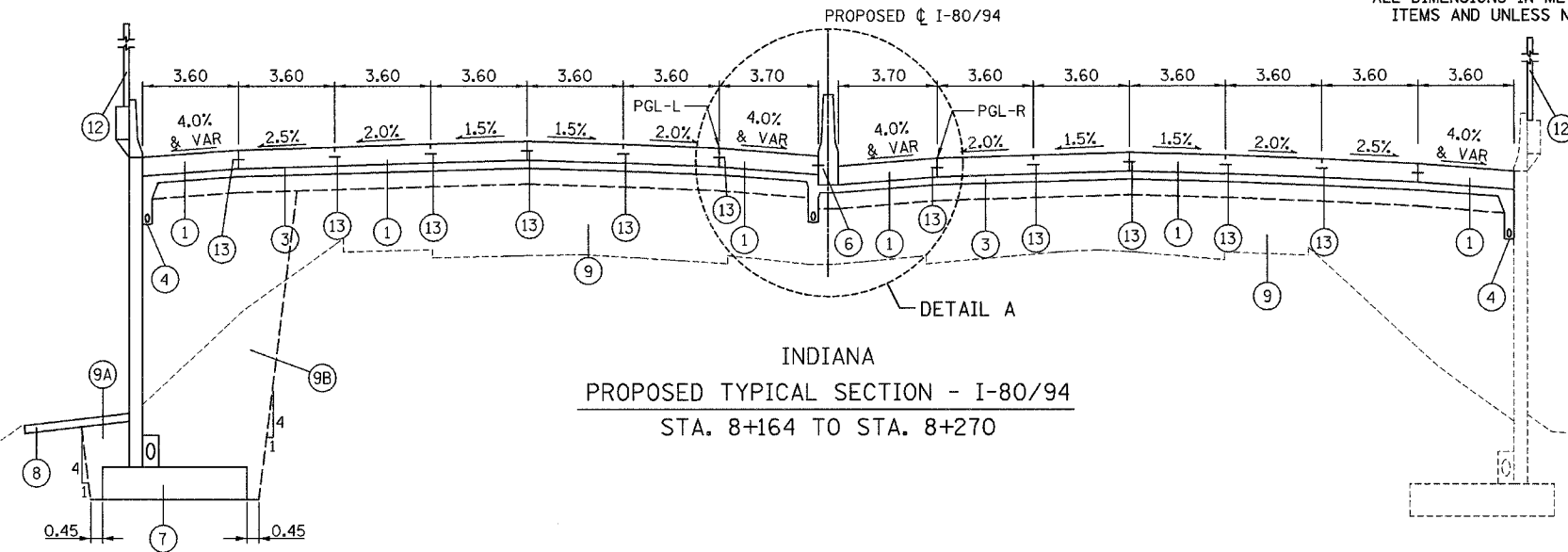
SCALE NTS
DATE 07/05

DRAWN BY ACE/CAD
CHECKED BY TAE

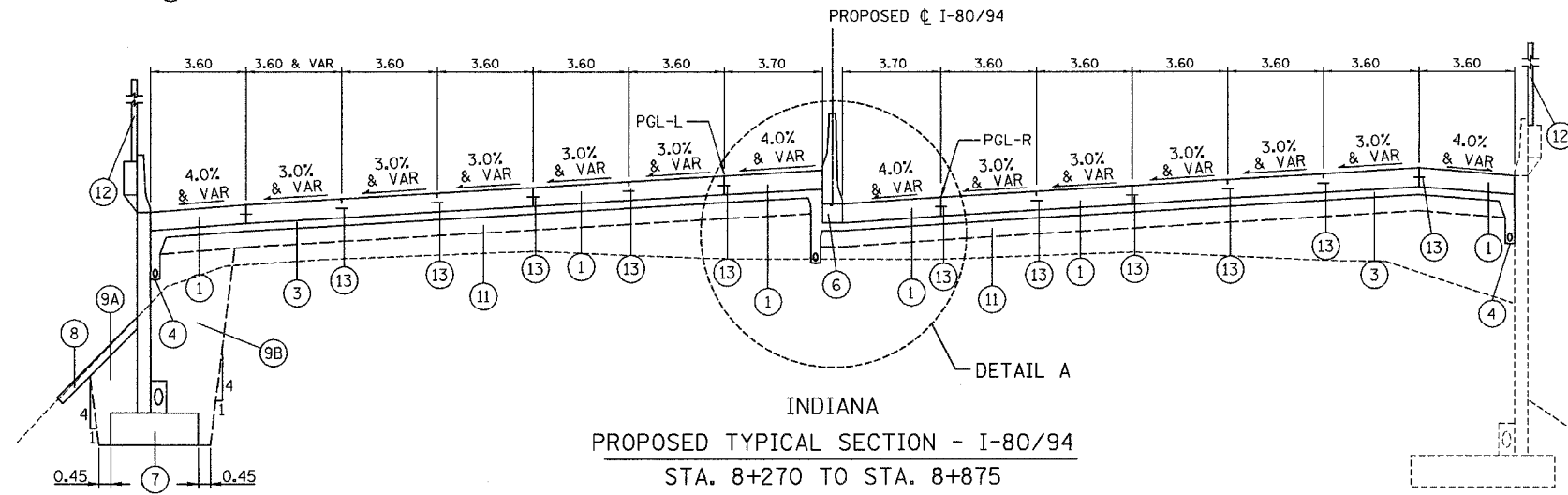
AMERICAN
CONSULTING ENGINEERS

F.A.I. RTE.	SECTION	COUNTY	TOTAL SHEETS	SHEET NO.
80/94	2626.2-R-2	COOK/LAKE	1207	25
STA.		TO STA.		
FED. ROAD DIST. NO.		ILLINOIS	FED. AID PROJECT	
CONTRACT NO. 62114		INDOT DES. NO. 0100987		

ALL DIMENSIONS IN METERS EXCEPT PAVEMENT ITEMS AND UNLESS NOTED OTHERWISE

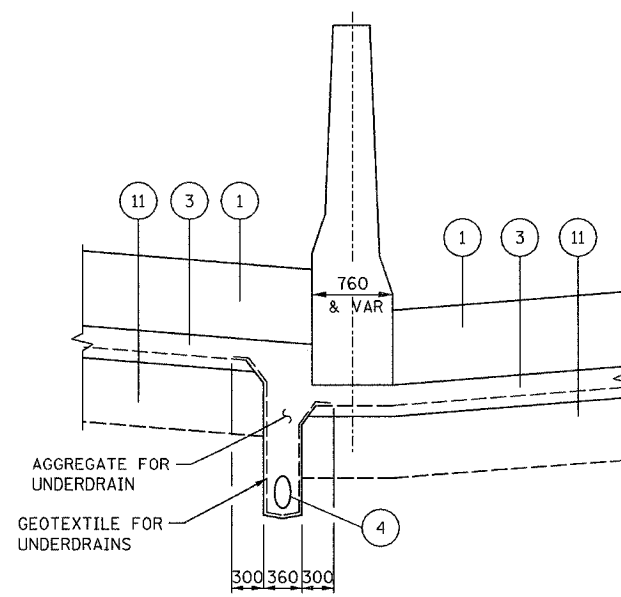


INDIANA
PROPOSED TYPICAL SECTION - I-80/94
STA. 8+164 TO STA. 8+270

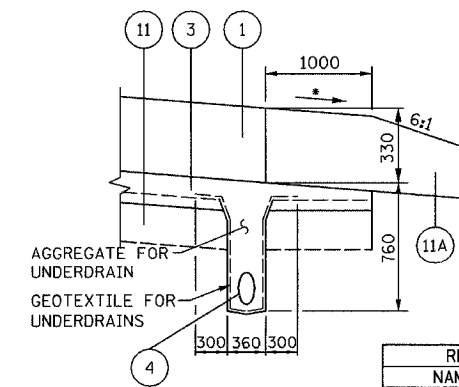


INDIANA
PROPOSED TYPICAL SECTION - I-80/94
STA. 8+270 TO STA. 8+875

NOTE:
FOR PROPOSED LEGEND (INDIANA) SEE PROPOSED TYPICAL SECTION LEGENDS AND TABLES.



DETAIL A
TYPICAL INDIANA UNDER DRAIN DETAILS
DIMENSIONS ARE IN MM UNLESS OTHERWISE NOTED



DETAIL B

* MATCH ADJACENT PAVEMENT

REVISIONS	
NAME	DATE

ILLINOIS DEPARTMENT OF TRANSPORTATION
I-80/94/US 6
KINGERY-BORMAN EXPRESSWAY
BURNHAM ROAD TO US 41
PROPOSED TYPICAL SECTION
STA. 8+164 to STA. 8+875
I-80/94/US 6

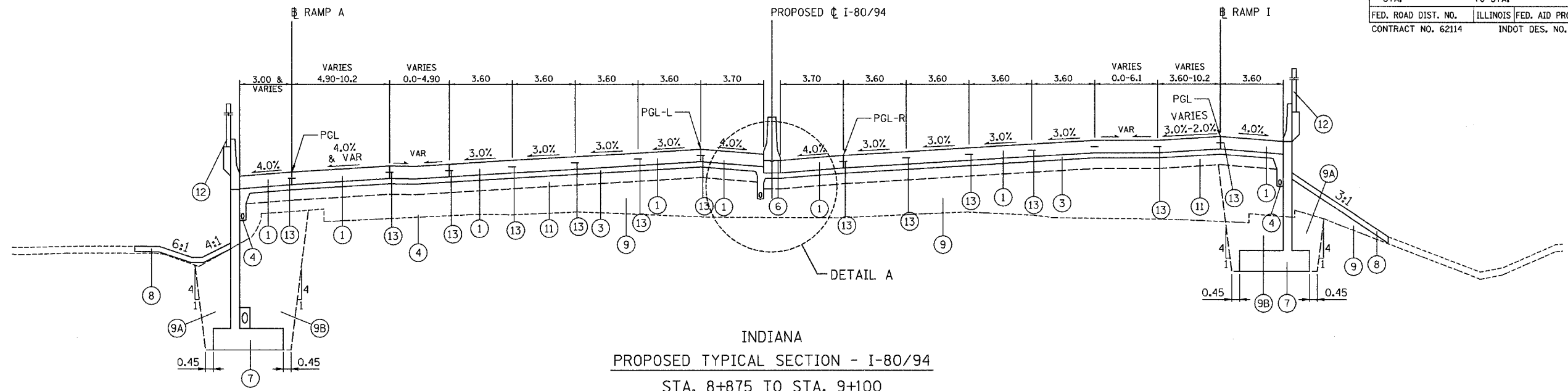
SCALE NTS
DATE 07/05

DRAWN BY ACE/CAD
CHECKED BY TAE

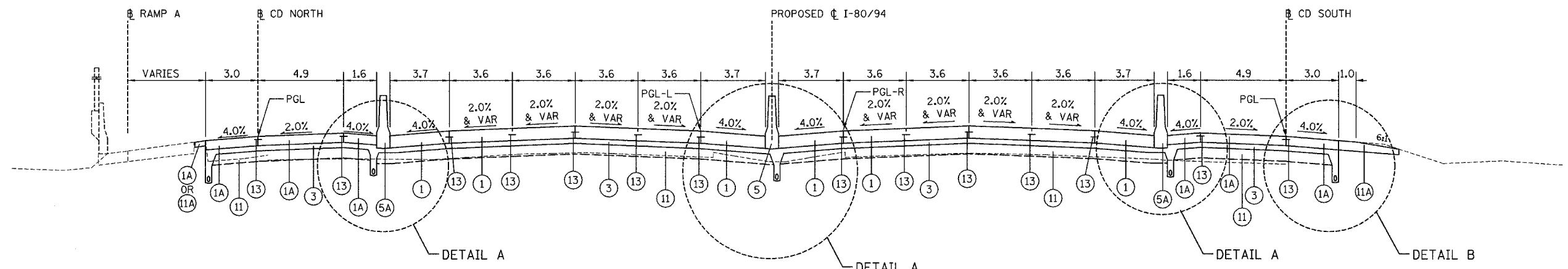
AMERICAN
CONSULTING ENGINEERS

ALL DIMENSIONS IN METERS EXCEPT PAY
ITEMS AND UNLESS NOTED OTHERWISE

F.A.I. RTE.	SECTION	COUNTY	TOTAL SHEETS	SHEET NO.
80/94	2626.2-R-2	COOK/LAKE	1207	26
STA.		TO STA.		
FED. ROAD DIST. NO.		ILLINOIS FED. AID PROJECT		
CONTRACT NO. 62114		INDOT DES. NO. 0100987		



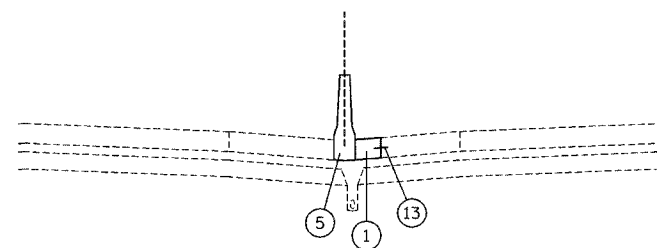
INDIANA
PROPOSED TYPICAL SECTION - I-80/94
STA. 8+875 TO STA. 9+100



BARRIER WALL
STA 9+102 TO STA 9+912

INDIANA
PROPOSED TYPICAL SECTION - I-80/94
STA. 9+100 TO STA. 9+395.341 WB
STA. 9+100 TO STA. 9+375.000 EB

BARRIER WALL
STA 9+193 TO STA 9+444



INDIANA DETAIL
STA. 9+382 TO STA. 9+650

NOTE:
FOR PROPOSED LEGEND (INDIANA) SEE PROPOSED
TYPICAL SECTION LEGENDS AND TABLES.

REVISIONS	
NAME	DATE

ILLINOIS DEPARTMENT OF TRANSPORTATION
I-80/94/US 6
KINGERY-BORMAN EXPRESSWAY
BURNHAM ROAD TO US 41
PROPOSED TYPICAL SECTION
STA. 8+875 TO STA. 9+395
I-80/94/US 6

SCALE NTS
DATE 07/05

DRAWN BY ACE/CAD
CHECKED BY TAE

AMERICAN
CONSULTING ENGINEERS

SCHEDULE OF QUANTITIES

ALL DIMENSIONS IN METERS EXCEPT PAY
ITEMS AND UNLESS NOTED OTHERWISE

F.A.I. RTE.	SECTION	COUNTY	TOTAL SHEETS	SHEET NO.
80/94	2626.2-R-2	COOK/LAKE	1207	27
STA.		TO STA.		
FED. ROAD DIST. NO.		ILLINOIS		FED. AID PROJECT
CONTRACT NO. 62114		INDOT DES. NO. 0100987		

TREE REMOVAL (OVER 15 UNITS DIAMETER)

STATION	OFFSET(m)	EACH
ILLINOIS		
DRAINAGE OUTFALL NORTH OF RIVER ROAD @ STATE LINE		
4 TREES @ 30" DIAMETER EACH		120.0
TOTAL =		120

TREE TRUNK PROTECTION

STATION	OFFSET(m)	EACH
INDIANA		
8+029.429	36.462 LT	1.0
8+038.507	35.028 LT	1.0
8+061.786	35.646 LT	1.0
8+123.808	35.022 LT	1.0
8+138.639	34.949 LT	1.0
8+144.385	35.260 LT	1.0
8+158.310	35.409 LT	1.0
8+185.283	35.050 LT	1.0
8+186.273	35.742 LT	1.0
8+188.194	34.967 LT	1.0
TOTAL =		10

RAISED REFLECTIVE PAVEMENT MARKER

STATION	OFFSET(m)	-	STATION	OFFSET(m)	EACH
ILLINOIS					
WESTBOUND					
6+814.721	7.680 LT	-	7+400.000	7.680 LT	49.0
6+814.721	11.280 LT	-	7+400.000	11.280 LT	49.0
6+814.721	14.880 LT	-	7+400.000	14.880 LT	49.0
6+814.721	18.480 LT	-	7+400.000	18.480 LT	49.0
6+814.721	22.080 LT	-	7+380.276	22.080 LT	48.0
7+400.000	7.680 LT	-	7+950.476	7.680 LT	46.0
7+400.000	11.280 LT	-	7+949.424	11.280 LT	46.0
7+400.000	14.880 LT	-	7+948.375	14.880 LT	46.0
7+400.000	18.480 LT	-	7+947.331	18.480 LT	46.0
EASTBOUND					
6+814.721	7.680 RT	-	7+400.000	7.680 RT	49.0
6+814.721	11.280 RT	-	7+400.000	11.280 RT	49.0
6+814.721	14.880 RT	-	7+400.000	14.880 RT	49.0
6+814.721	18.480 RT	-	7+400.000	18.480 RT	49.0
7+400.000	7.680 RT	-	7+955.011	7.680 RT	47.0
7+400.000	11.280 RT	-	7+956.086	11.280 RT	47.0
7+400.000	14.880 RT	-	7+957.164	14.880 RT	47.0
7+400.000	18.480 RT	-	7+958.246	18.480 RT	47.0
TOTAL =					812

LIGHTING FOUNDATION REMOVAL

STATION	OFFSET(m)	EACH
ILLINOIS		
6+874.826	0.000 RT	1.0
6+941.460	0.000 RT	1.0
7+009.075	0.000 RT	1.0
7+075.716	0.000 RT	1.0
7+142.619	0.000 RT	1.0
7+209.774	0.000 RT	1.0
7+277.155	0.000 RT	1.0
7+343.985	0.000 RT	1.0
7+411.237	0.000 RT	1.0
7+478.120	0.000 RT	1.0
7+545.351	0.000 RT	1.0
7+612.255	0.000 RT	1.0
7+682.077	0.000 RT	1.0
7+747.513	0.000 RT	1.0
7+809.609	0.000 RT	1.0
7+871.981	0.000 RT	1.0
7+936.049	0.000 RT	1.0
TOTAL =		17

LIGHTING FOUNDATION REMOVAL

STATION	OFFSET(m)	EACH
INDIANA		
8+622.904	25.520 LT	1.0
8+698.400	26.151 LT	1.0
8+776.000	27.075 LT	1.0
8+807.299	27.804 RT	1.0
8+844.133	28.403 LT	1.0
8+876.399	29.024 RT	1.0
8+902.240	29.708 LT	1.0
TOTAL =		7

TREE REMOVAL, HECTARES

STATION	WIDTH(m)	-	STATION	WIDTH(m)	HECTARE
INDIANA					
7+947.222	19.100	-	8+016.252	19.100	0.13
8+016.252	13.200	-	8+171.750	13.200	0.21
8+171.750	19.100	-	8+201.430	19.100	0.06
8+223.230	0.000	-	8+231.430	23.000	0.01
8+231.430	23.000	-	8+410.000	21.000	0.39
8+580.390	20.100	-	8+732.410	18.500	0.29
8+757.910	0.000	-	8+762.440	14.000	0.00
8+762.440	14.000	-	8+926.966	5.600	0.16
8+775.160	20.400	-	8+920.650	17.700	0.28
8+920.650	17.700	-	8+959.000	22.800	0.08
8+959.000	22.800	-	9+031.830	10.000	0.12
TOTAL =					1.7

TOPSOIL FURNISH AND PLACE, 150MM

STATION	WIDTH(m)	-	STATION	WIDTH(m)	SQ METER
ILLINOIS					
SEE M2500210 SEEDING, CLASS 2A					
					939.6
TOTAL =					940

TOPSOIL FURNISH AND PLACE, 150MM

STATION	WIDTH(m)	-	STATION	WIDTH(m)	SQ METER
INDIANA					
WESTBOUND					
7+950.000	4.000	-	8+208.602	4.000	1,034.4
8+221.109	4.000	-	8+403.054	4.000	727.8
8+587.505	4.000	-	8+742.416	4.000	619.6
8+752.000	4.000	-	8+954.735	4.000	810.9
8+954.735	16.200	-	8+968.638	5.500	150.8
8+968.638	5.500	-	9+101.871	2.200	512.9
9+133.933	1.800	-	9+158.356	10.000	144.1
9+158.356	10.000	-	9+248.016	10.000	896.6
9+248.016	17.100	-	9+266.580	17.100	317.4
9+266.580	17.100	-	9+272.523	10.000	80.5
9+272.523	10.000	-	9+282.373	0.000	49.3
EASTBOUND					
8+497.965	10.000	-	8+567.172	10.000	692.1
8+578.419	10.000	-	8+619.853	10.000	414.3
8+768.144	4.000	-	9+030.876	4.000	1,050.9
9+030.876	4.000	-	9+115.856	4.200	348.4
9+115.856	4.200	-	9+141.674	1.800	77.5
9+141.674	1.800	-	9+161.248	5.700	73.4
9+161.248	5.700	-	9+273.137	5.500	626.6
9+264.800	0.000	-	9+275.000	1.100	5.6
9+275.000	1.100	-	9+285.000	3.000	20.5
9+285.000	3.000	-	9+302.708	10.000	115.1
9+302.708	10.000	-	9+395.342	10.000	926.3
TOTAL =					9,986

ADD 3% FOR AVERAGE OF 4:1 SLOPE

TOPSOIL FURNISH AND PLACE, 300MM

STATION	WIDTH(m)	-	STATION	WIDTH(m)	SQ METER
ILLINOIS					
SEE M2520110 SODDING SALT TOLERANT					
					4,472.9
TOTAL =					4,473

SEEDING, CLASS 2A

STATION	WIDTH(m)	-	STATION	WIDTH(m)	HECTARE
ILLINOIS					
7+893.827	7.800	-	7+920.187	15.500	0.03
7+920.187	15.500	-	7+938.154	20.600	0.03
7+938.154	20.600	-	7+950.000	0.000	0.01
GATEWAY LANDSCAPING					
SEE PLANTING MIX F&P 900					0.02
TOTAL =					0.1

SEEDING, CLASS 2A

STATION	WIDTH(m)	-	STATION	WIDTH(m)	HECTARE
INDIANA					
WESTBOUND					
7+938.154	0.000	-	7+945.113	24.600	0.01
7+945.113	24.600	-	7+960.251	29.800	0.04
7+960.251	29.800	-	7+986.893	27.900	0.08
7+986.893	19.500	-	8+198.374	19.500	0.41
8+198.374	19.500	-	8+203.574	13.200	0.01
8+203.574	13.200	-	8+208.603	0.000	0.00
8+215.491	0.000	-	8+221.108	19.500	0.01
8+221.108	19.500	-	8+403.053	19.500	0.35
8+587.503	25.400	-	8+697.292	19.200	0.24
8+697.292	19.200	-	8+734.738	30.400	0.09
8+734.738	30.400	-	8+742.415	0.000	0.01
8+742.415	0.000	-	8+752.640	11.500	0.00
8+752.640	11.500	-	8+755.180	12.250	0.00
8+755.180	0.000	-	8+755.180	8.200	0.00
8+755.180	20.500	-	8+767.290	19.700	0.02
8+767.290	19.700	-	8+791.319	25.700	0.05
8+791.319	25.700	-	8+793.937	15.800	0.01
8+793.937	15.800	-	8+816.031	18.200	0.04
8+816.031	18.200	-	8+838.368	22.900	0.05
8+838.368	22.900	-	8+840.332	14.400	0.00
8+840.332	14.400	-	8+854.241	12.100	0.02
8+854.241	12.100	-	8+859.555	14.100	0.01
8+859.555	14.100	-	8+941.605	27.800	0.17
8+941.605	27.800	-	8+944.123	15.050	0.01
8+944.123	15.050	-	8+952.503	16.200	0.01
8+952.503	16.200	-	8+968.638	5.500	0.02
8+968.638	5.500	-	9+101.696	2.200	0.05
9+101.696	2.200	-	9+158.355	10.000	0.01
9+158.355	10.000	-	9+248.016	10.000	0.09
9+248.016	17.100	-	9+266.579	17.100	0.03
9+266.579	17.100	-	9+282.372	0.000	0.01

SEEDING, CLASS 2A

STATION	WIDTH(m)	-	STATION	WIDTH(m)	HECTARE
INDIANA					
EASTBOUND					
8+192.166	15.800	-	8+232.622	15.800	0.06
8+251.154	18.200	-	8+274.124	18.200	0.04

SCHEDULE OF QUANTITIES

ALL DIMENSIONS IN METERS EXCEPT PAY
ITEMS AND UNLESS NOTED OTHERWISE

F.A.I. RTE. 80/94	SECTION 2626.2-R-2	COUNTY COOK/LAKE	TOTAL SHEETS 1207	SHEET NO. 28
STA.		TO STA.		
FED. ROAD DIST. NO.		ILLINOIS		FED. AID PROJECT
CONTRACT NO. 62114		INDOT DES. NO. 0100987		

PAVEMENT REINFORCEMENT 360MM

STATION	WIDTH(m)	-	STATION	WIDTH(m)	SQ METER
ILLINOIS					
SEE M4210360 CON REINF PCC PVT 360					41,475.0
TOTAL =					41,475

BITUMINOUS SURFACE REMOVAL (VARIABLE DEPTH)

STATION	WIDTH(m)	-	STATION	WIDTH(m)	SQ METER
ILLINOIS					
7+328.070	3.300	-	7+475.000	3.300	484.9
TOTAL =					485

PAVEMENT REMOVAL

STATION	WIDTH(m)	-	STATION	WIDTH(m)	SQ METER
ILLINOIS					
WESTBOUND					
6+814.721	3.300	-	7+090.000	3.300	908.4
7+090.000	14.100	-	7+125.000	14.100	493.5
7+125.000	26.900	-	7+228.678	26.800	2,783.8
7+228.678	26.800	-	7+300.652	28.700	1,997.3
7+300.652	28.700	-	7+330.701	31.000	897.0
7+330.701	31.000	-	7+379.000	30.400	1,482.8
7+379.000	26.200	-	7+598.844	23.400	5,452.1
7+598.844	24.900	-	7+750.000	22.900	3,612.6
7+750.000	22.900	-	7+950.000	19.600	4,250.0
EASTBOUND					
7+125.000	11.100	-	7+600.000	11.200	5,296.2
7+600.000	14.200	-	7+750.000	15.400	2,220.0
7+750.000	15.400	-	7+950.000	15.100	3,050.0
CONTRACT 62350 ACCIDENT INVESTIGATION SITE					
7+386.255	4.000	-	7+443.189	4.000	227.7
7+443.189	5.750	-	7+550.000	5.750	614.2
EXISTING PUMP STATION					
RIVER DRIVE (50% OF QTY)					
7+967.028	7.750	-	7+971.887	7.750	18.9
SEE MX030505 TEMP PAVT INTERSTATE					3,203.6
TOTAL =					36,900

PAVEMENT REMOVAL

STATION	WIDTH(m)	-	STATION	WIDTH(m)	SQ METER
INDIANA					
WESTBOUND					
7+950.000	19.600	-	7+990.100	19.600	786.0
7+990.100	14.900	-	8+190.770	14.900	2,990.0
8+255.980	15.000	-	8+405.200	16.800	2,372.6
8+595.030	23.100	-	8+726.650	24.000	3,099.7
8+777.730	21.400	-	8+888.820	23.100	2,471.8
8+888.820	15.000	-	9+250.000	15.000	5,417.7
9+250.000	11.000	-	9+395.341	11.000	1,598.8
RAMP A					
20+658.870	7.200	-	20+448.400	11.000	1,915.3
CD NORTH					
0+016.120	6.000	-	0+019.800	4.800	19.9
0+019.800	4.800	-	0+065.000	4.900	219.2
0+065.000	4.900	-	0+193.470	4.900	629.5
EASTBOUND					
7+950.000	15.100	-	8+197.410	15.000	3,723.5
8+262.520	15.000	-	8+419.680	18.500	2,632.4
8+603.000	12.500	-	8+617.932	12.500	186.7
8+617.932	18.700	-	8+732.270	18.700	2,138.1
8+781.900	21.000	-	8+936.700	23.400	3,436.6
8+936.700	15.000	-	9+250.000	15.000	4,699.5
9+250.000	11.000	-	9+375.000	11.000	1,375.0
9+382.167	0.900	-	9+650.000	0.900	241.0

RAMP I

29+985.750	7.500	-	30+210.900	10.300	2,003.8
30+210.900	4.900	-	30+329.240	4.900	579.9
CD SOUTH					
30+210.900	4.900	-	30+255.000	4.900	216.1
0+000.000	4.900	-	0+138.163	4.900	677.0
RIVER DRIVE (50% OF QTY)					
7+967.028	7.750	-	7+971.887	7.750	18.9
SEE MX030504 TEMP PAVT INTERSTATE					3,059.5
TOTAL =					46,508

DRIVEWAY PAVEMENT REMOVAL

STATION	WIDTH(m)	-	STATION	WIDTH(m)	SQ METER
ILLINOIS					
PUMP STATION					
					36.7
TOTAL =					37

COMBINATION CURB AND GUTTER REMOVAL

STATION	OFFSET(m)	-	STATION	OFFSET(m)	METERS
ILLINOIS					
7+589.300	25.43 LT	-	7+598.844	25.46 LT	9.50
TOTAL =					9.5

COMBINATION CURB AND GUTTER REMOVAL

STATION	OFFSET(m)	-	STATION	OFFSET(m)	METERS
INDIANA					
I-80/94/US 6					
8+042.920	18.00 LT	-	8+193.710	18.00 LT	150.80
8+246.160	18.00 LT	-	8+407.900	20.50 LT	161.80
8+585.580	22.00 LT	-	8+725.340	24.00 LT	139.80
8+769.240	24.70 LT	-	8+927.060	28.00 LT	157.90
8+781.900	23.50 RT	-	8+863.260	26.15 RT	81.40
HOHMAN ST					
79+982.631	6.30 LT	-	80+031.094	5.87 LT	48.50
79+967.354	6.27 RT	-	80+034.596	5.88 RT	67.20
HARRISON ST					
89+977.092	3.06 LT	-	90+050.000	3.28 LT	72.90
89+951.689	4.35 RT	-	90+038.566	4.18 RT	86.90
TOTAL =					967.2

SIDEWALK REMOVAL

STATION	WIDTH(m)	-	STATION	WIDTH(m)	SQ METER
ILLINOIS					
PUMP STATION REMOVAL					
					18.3
TOTAL =					18

SIDEWALK REMOVAL

STATION	WIDTH(m)	-	STATION	WIDTH(m)	SQ METER
INDIANA					
HOHMAN AVE					
79+953.640	2.000	-	79+964.700	1.800	21.0
79+955.400	1.500	-	79+962.500	1.500	10.7
79+971.800	1.550	-	80+031.150	1.550	92.0
79+957.190	1.520	-	80+029.500	1.520	109.9
TOTAL =					234

APPROACH SLAB REMOVAL

STATION	WIDTH(m)	-	STATION	WIDTH(m)	SQ METER
INDIANA					
HOHMAN AVE BRIDGE					
8+190.767	17.700	-	8+197.406	17.700	117.5
8+197.406	36.200	-	8+210.100	0.000	229.8
8+243.141	0.000	-	8+256.000	36.200	232.7
8+256.000	17.700	-	8+262.516	17.700	115.3
LITTLE CALUMET RIVER BRIDGE					
8+405.197	20.500	-	8+411.450	20.800	129.1
8+411.450	20.800	-	8+425.972	0.000	151.0
8+419.683	12.500	-	8+425.972	12.500	78.6
8+425.972	12.500	-	8+434.381	0.000	52.6
8+580.636	0.000	-	8+593.246	34.700	218.8
8+593.246	34.700	-	8+595.030	34.700	61.9
8+595.030	12.100	-	8+603.028	12.100	96.8
HARRISON AVE BRIDGE					
8+726.645	23.300	-	8+731.235	23.300	106.9
8+732.059	46.600	-	8+738.331	21.800	214.5
8+738.331	21.800	-	8+744.537	0.000	67.6
8+764.168	0.000	-	8+777.350	48.300	318.3
8+777.350	25.400	-	8+782.445	25.400	129.4
TOTAL =					2,321

CONCRETE BARRIER REMOVAL

STATION	OFFSET(m)	-	STATION	OFFSET(m)	METERS
ILLINOIS					
6+814.721	0.00 RT	-	7+547.500	0.00 RT	732.8
TOTAL =					733

CONCRETE BARRIER REMOVAL

STATION	OFFSET(m)	-	STATION	OFFSET(m)	METERS
INDIANA					
9+250.000	0.00 RT	-	9+356.500	0.00 RT	106.5
9+382.167	0.00 RT	-	9+650.000	0.00 RT	267.8
9+105.100	22.20 LT	-	9+394.500	22.20 LT	289.4
9+192.859	21.20 RT	-	9+200.800	21.20 RT	7.9
TOTAL =					672

PAVED SHOULDER REMOVAL

STATION	WIDTH(m)	-	STATION	WIDTH(m)	SQ METER
ILLINOIS					
INSIDE SHOULDER					
WESTBOUND					
6+814.721	2.200	-	7+125.000	2.200	682.6
7+125.000	2.200	-	7+400.000	2.300	618.8
7+400.000	2.300	-	7+600.000	2.300	460.0
EASTBOUND					
6+814.721	2.200	-	7+125.000	2.200	682.6
7+125.000	2.200	-	7+400.000	2.200	605.0
7+400.000	2.200	-	7+600.000	2.200	440.0
OUTSIDE SHOULDER					
EASTBOUND					
7+125.000	3.500	-	7+400.000	3.500	962.5
7+400.000	3.500	-	7+750.000	3.700	1,260.0
7+750.000	3.600	-	7+950.000	3.400	700.0
TOTAL =					6,412

PAVED SHOULDER REMOVAL

STATION	WIDTH(m)	-	STATION	WIDTH(m)	SQ METER
INDIANA					
INSIDE SHOULDER					
9+250.000	3.600	-	9+395.341	3.600	523.2
9+250.000	3.600	-	9+375.000	3.600	450.0
OUTSIDE SHOULDER					
WESTBOUND					
7+990.100	4.500	-	8+042.920	4.700	243.0
8+042.920	2.800	-	8+190.770	3.100	436.2
8+255.980	3.100	-	8+405.200	3.400	485.0
8+777.730	3.900	-	8+927.060	3.900	582.4
9+105.114	6.800	-	9+395.341	6.700	1,959.0
CD NORTH					
0+019.600	1.250	-	0+044.230	5.400	81.9
0+044.230	3.000	-	0+193.470	3.500	485.0
9+105.114					

SCHEDULE OF QUANTITIES

ALL DIMENSIONS IN METERS EXCEPT PAVEMENT ITEMS AND UNLESS NOTED OTHERWISE

F.A.I. RTE.	SECTION	COUNTY	TOTAL SHEETS	SHEET NO.
80/94	2626.2-R-2	COOK/LAKE	1207	29
STA.		TO STA.		
FED. ROAD DIST. NO.		ILLINOIS	FED. AID PROJECT	
CONTRACT NO. 62114		INDOT DES. NO. 0100987		

PORTLAND CEMENT CONCRETE SHOULDERS - 360MM

STATION	WIDTH(m)	STATION	WIDTH(m)	SQ METER
ILLINOIS				
WESTBOUND OUTSIDE SHOULDER				
7+090.000	3.000	7+228.678	3.000	416.0
7+228.678	3.000	7+300.652	4.900	284.3
7+300.652	4.900	7+330.701	7.300	183.3
7+330.701	7.300	7+342.041	7.517	84.0
7+342.041	3.216	7+361.215	3.600	65.3
7+361.215	3.600	7+950.000	3.600	2,119.6
WESTBOUND EMERGENCY ACCESS				
7+342.041	3.800	7+361.242	3.800	73.0
7+361.242	3.800	7+379.000	4.155	70.6
EASTBOUND OUTSIDE SHOULDER				
6+814.721	3.600	7+400.281	3.600	2,108.0
7+400.281	8.080	7+499.547	3.600	579.7
7+499.547	3.600	7+950.000	3.600	1,621.6
EASTBOUND EMERGENCY ACCESS				
7+386.161	4.000	7+400.281	4.000	56.5
WESTBOUND INSIDE SHOULDER				
6+814.721	3.600	7+950.000	3.600	4,087.0
EASTBOUND INSIDE SHOULDER				
6+814.721	3.600	7+950.000	3.600	4,087.0
TOTAL =				15,836

CONCRETE REMOVAL

STATION	CUT/FILL(m ²)	STATION	CUT/FILL(m ²)	CU Meter
INDIANA				
REINFORCED SHOULDERS WITH CONCRETE BARRIER				
SHOULDER: 3.0 M WIDE X 0.30 M THICK				
CONCRETE BARRIER: 0.384 SQ M				
20+620.659	1.284	20+448.434	1.284	221.10
30+103.442	1.284	30+222.172	1.284	152.40
REINFORCED SHOULDERS WITH CONCRETE BARRIER				
SHOULDER: 1.7 M WIDE X 0.30 M THICK				
CONCRETE BARRIER: 0.384 SQ M				
30+297.546	0.894	30+329.127	0.894	28.20
SPECIAL BARRIER WALL				
CONCRETE BARRIER: 0.659 SQ M				
30+222.172	0.659	30+264.639	0.659	28.00
TOTAL =				429.7

STORM SEWER REMOVAL 200MM

STATION	OFFSET(m)	STATION	OFFSET(m)	METERS
ILLINOIS				
6+903.867	13.48 LT	6+908.870	13.48 LT	5.00
6+949.240	13.48 LT	6+954.247	13.48 LT	5.00
6+993.441	13.48 LT	6+998.227	13.48 LT	4.80
7+029.145	13.56 LT	7+034.063	13.56 LT	4.90
7+074.120	13.54 LT	7+078.677	13.54 LT	4.60
7+026.310	27.64 RT	7+041.820	21.01 RT	16.90
7+128.578	13.64 LT	7+132.943	13.64 LT	4.40
7+169.156	13.83 LT	7+173.317	13.83 LT	4.20
7+218.860	13.89 LT	7+222.770	13.89 LT	3.90
7+254.984	13.78 LT	7+265.186	13.78 LT	10.20
TOTAL =				63.9

STORM SEWER REMOVAL 300MM

STATION	OFFSET(m)	STATION	OFFSET(m)	METERS
ILLINOIS				
6+846.411	0.27 LT	6+890.349	0.95 RT	44.00
6+891.601	0.50 LT	6+905.230	14.88 LT	19.80
6+938.301	0.76 LT	6+950.440	14.88 LT	18.60
6+984.164	0.64 LT	6+994.560	14.88 LT	17.60
7+028.883	0.55 LT	7+029.170	14.88 LT	14.30
7+073.992	1.11 RT	7+074.190	14.88 LT	16.00
7+121.190	0.86 LT	7+129.350	14.88 LT	16.20
7+150.001	28.61 LT	7+150.000	18.00 LT	10.60
7+165.913	0.64 LT	7+173.970	14.88 LT	16.40
7+200.000	28.38 LT	7+250.000	29.24 LT	50.00
7+250.000	29.24 LT	7+300.000	30.57 LT	50.00
7+257.318	0.67 LT	7+267.767	17.77 LT	20.00
7+300.000	30.57 LT	7+303.897	17.69 LT	13.40
7+300.000	30.57 LT	7+350.000	32.98 LT	50.10
7+303.215	0.66 LT	7+314.008	17.67 LT	20.20
7+348.814	0.78 LT	7+361.516	17.58 LT	21.10
7+393.926	0.85 LT	7+406.428	17.67 LT	21.00
7+400.000	27.60 LT	7+450.000	26.60 LT	50.00
7+439.730	0.77 LT	7+450.433	18.69 LT	20.90
7+430.025	23.46 RT	7+470.749	1.60 RT	46.20
7+450.000	26.60 LT	7+464.481	26.18 LT	14.50
7+464.481	26.18 LT	7+464.393	19.23 LT	7.00
7+470.680	0.56 LT	7+482.632	20.09 LT	22.90
7+516.090	0.31 LT	7+528.387	23.04 LT	25.90
7+528.343	23.00 LT	7+536.500	30.50 LT	11.10
7+540.000	23.08 RT	7+557.136	21.40 RT	17.20
7+558.662	21.17 RT	7+561.890	1.40 RT	20.00
7+613.502	1.70 RT	7+623.284	1.78 RT	9.80
7+623.284	1.78 RT	7+635.000	1.83 RT	11.70
7+624.916	0.79 LT	7+632.466	21.17 LT	21.70
7+624.864	21.41 LT	7+625.000	25.70 LT	4.30
7+659.828	2.00 RT	7+669.844	2.00 RT	10.00
7+669.844	2.00 RT	7+679.861	2.00 RT	10.00
7+672.513	1.63 LT	7+682.961	20.41 LT	21.50
7+703.498	2.43 RT	7+713.521	2.61 RT	10.00
7+713.521	2.61 RT	7+723.542	2.74 RT	10.00
7+717.936	1.91 LT	7+733.210	21.40 LT	24.80
7+750.438	3.21 RT	7+760.463	3.46 RT	10.00
7+760.463	3.46 RT	7+770.488	3.70 RT	10.00
7+763.808	1.65 LT	7+775.780	24.01 RT	25.40
7+795.001	4.07 RT	7+806.052	4.22 RT	11.10
7+806.052	4.22 RT	7+816.083	4.35 RT	10.00
7+808.312	1.22 LT	7+815.369	21.73 LT	21.70
7+843.799	4.66 RT	7+854.120	4.58 RT	10.30
7+848.759	22.81 RT	7+861.559	21.33 LT	46.00
7+854.120	4.58 RT	7+863.871	4.56 RT	9.80
7+890.200	4.25 RT	7+899.400	4.08 RT	9.20
7+899.400	4.08 RT	7+909.476	3.83 RT	10.10
7+900.257	0.26 RT	7+952.831	0.74 LT	52.60
7+924.426	9.05 LT	7+939.791	25.19 LT	22.30
7+928.438	3.34 RT	7+938.505	3.15 RT	10.10
7+938.511	0.81 LT	7+939.542	25.53 LT	24.70
TEMPORARY DRAINAGE ***** 6.25				
TOTAL =				1,078.4

STORM SEWER REMOVAL 300MM

STATION	OFFSET(m)	STATION	OFFSET(m)	METERS
INDIANA				
7+966.037	53.04 LT	7+982.625	23.73 RT	78.50
7+981.809	7.62 LT	7+988.248	17.70 RT	26.10
8+023.561	3.77 RT	8+033.856	3.83 RT	10.30
8+110.000	3.79 RT	8+117.088	3.79 RT	7.10
8+117.088	3.79 RT	8+127.092	3.84 RT	10.00
8+253.953	21.68 LT	8+260.093	0.50 LT	22.10
8+260.000	0.50 LT	8+267.000	22.02 RT	23.60
8+259.152	3.74 LT	8+269.150	3.75 LT	10.00
8+326.215	3.64 LT	8+336.214	3.64 LT	10.00
8+336.214	3.64 LT	8+346.215	3.64 LT	10.00
8+400.873	3.76 LT	8+410.878	3.75 LT	10.00
8+404.458	22.83 LT	8+412.014	0.79 LT	23.30
8+412.330	0.50 RT	8+417.504	15.65 RT	16.00
8+661.182	1.00 RT	8+671.057	0.96 RT	9.90
8+671.057	0.96 RT	8+681.171	1.03 RT	10.10
8+728.790	20.64 LT	8+733.937	0.71 LT	20.60
8+733.937	0.71 LT	8+740.610	25.96 RT	27.50
8+828.585	3.04 RT	8+838.560	3.08 RT	10.00
8+838.560	3.08 RT	8+848.555	3.00 RT	10.00
8+838.473	15.21 LT	8+838.633	0.87 LT	14.30
8+838.523	0.85 RT	8+839.015	32.87 RT	32.00
8+912.301	18.71 LT	8+915.114	0.89 LT	18.00
8+915.135	0.83 RT	8+920.973	32.59 RT	32.30
8+915.333	2.94 RT	8+925.319	3.08 RT	10.00
8+965.725	1.44 LT	9+021.094	0.85 LT	55.40
8+976.360	29.69 LT	9+021.781	29.82 LT	45.40
9+010.789	2.93 RT	9+020.768	3.42 RT	10.00
9+020.768	3.42 RT	9+030.758	2.94 RT	10.00
9+021.021	0.83 RT	9+083.629	0.69 RT	62.60
9+021.781	29.82 LT	9+022.272	17.63 LT	12.20
9+073.262	2.85 RT	9+083.247	2.88 RT	10.00
9+083.247	2.88 RT	9+093.232	2.86 RT	10.00
9+081.581	17.34 RT	9+081.496	31.11 RT	13.80
9+083.540	0.65 RT	9+159.092	0.65 RT	75.60
9+140.082	34.15 RT	9+183.692	35.66 RT	43.60
9+146.182	22.33 LT	9+144.504	32.87 LT	10.70
9+148.923	2.78 RT	9+158.908	2.79 RT	10.00
9+158.908	2.79 RT	9+168.893	2.78 RT	10.00
9+158.982	1.11 LT	9+184.512	1.12 LT	25.50
9+158.982	1.11 LT	9+180.112	36.79 LT	41.50
9+180.776	21.06 RT	9+183.692	35.66 RT	14.90
9+183.692	35.66 RT	9+282.325	34.22 RT	98.60
9+191.842	22.27 LT	9+237.484	22.57 LT	45.60
9+231.549	40.94 LT	9+237.492	22.24 LT	19.60
9+237.492	22.24 LT	9+283.106	22.18 LT	45.60
9+252.125	42.12 LT	9+252.124	46.02 LT	3.90
9+282.325	34.22 RT	9+283.590	22.49 RT	11.80
9+283.590	22.49 RT	9+316.167	22.57 RT	32.60
9+319.307	22.24 LT	9+342.217	21.98 LT	22.90
9+333.572	31.50 RT	9+333.476	39.73 RT	8.20
9+356.568	22.92 RT	9+369.067	22.89 RT	12.50
TEMPORARY DRAINAGE ***** 6.60				
TOTAL =				1,281.8

STORM SEWER REMOVAL 375MM

STATION	OFFSET(m)	STATION	OFFSET(m)	METERS
ILLINOIS				
6+863.961	7.69 LT	6+863.878	14.71 LT	7.00
7+026.313	27.64 RT	7+030.858	15.62 RT	12.90
7+348.153	25.48 LT	7+354.550	17.59 LT	10.20
7+349.710	23.97 RT	7+361.342	17.58 LT	43.10
7+558.000	22.78 LT	7+561.865	0.66 LT	22.40
7+594.214	22.65 LT	7+597.823	1.01 LT	21.90
7+597.875	1.39 RT	7+601.916	19.95 RT	19.00
TOTAL =				136.5

STORM SEWER REMOVAL 375MM

STATION	OFFSET(m)	STATION	OFFSET(m)	METERS
INDIANA				
8+335.309	19.08 RT	8+336.120	0.88 RT	18.20
8+336.003	0.79 LT	8+337.126	17.78 LT	17.00
8+589.584	27.93 LT	8+608.247	23.60 RT	54.80
8+903.943	28.66 LT	8+913.171	25.68 RT</	

SCHEDULE OF QUANTITIES

ALL DIMENSIONS IN METERS EXCEPT PAY ITEMS AND UNLESS NOTED OTHERWISE

F.A.I. RTE. 80/94	SECTION 2626.2-R-2	COUNTY COOK/LAKE	TOTAL SHEETS 1207	SHEET NO. 30
STA.		TO STA.		
FED. ROAD DIST. NO.		ILLINOIS	FED. AID PROJECT	
CONTRACT NO. 62114		INDOT DES. NO. 0100987		

STORM SEWER REMOVAL 1350MM

STATION	OFFSET(m)		STATION	OFFSET(m)	METERS
ILLINOIS					
7+934.609	43.45 LT	-	7+966.037	53.04 LT	32.9
7+966.037	53.04 LT	-	7+965.651	56.01 LT	3.0
7+960.342	97.88 LT	-	7+957.903	117.71 LT	20.0
TOTAL =					56

COMBINATION CONCRETE CURB AND GUTTER, TYPE B-22.45

STATION	OFFSET(m)		STATION	OFFSET(m)	METERS
ILLINOIS					
GATEWAY LANDSCAPING					
7+588.880	27.38 LT	-	7+597.130	27.38 LT	8.3
7+597.130	27.38 LT	-	7+598.970	30.34 LT	3.4
7+598.970	30.34 LT	-	7+599.070	31.52 LT	1.2
TOTAL =					13

CONCRETE MEDIAN SURFACE, 100MM (SPECIAL)

STATION	WIDTH(m)		STATION	WIDTH(m)	SQ METER
ILLINOIS					
GATEWAY LANDSCAPING					
7+588.880	1.200	-	7+648.820	1.200	71.9
7+648.820	2.000	-	7+701.840	0.000	53.0
TOTAL =					125

GUARDRAIL REMOVAL

STATION	OFFSET(m)		STATION	OFFSET(m)	METERS
ILLINOIS					
6+814.721	17.94 RT	-	7+066.780	17.86 RT	252.1
7+589.060	25.68 LT	-	7+676.880	24.92 LT	87.8
TOTAL =					340

GUARDRAIL REMOVAL

STATION	OFFSET(m)		STATION	OFFSET(m)	METERS
INDIANA					
8+042.920	18.00 LT	-	8+193.710	18.00 LT	150.80
8+246.160	18.00 LT	-	8+407.900	20.50 LT	161.80
8+585.580	22.00 LT	-	8+725.340	24.00 LT	139.80
8+769.240	24.70 LT	-	8+927.060	28.00 LT	157.90
8+781.900	23.50 RT	-	8+863.260	26.15 RT	81.40
HOHMAN AVE					
79+983.450	8.57 LT	-	80+022.921	8.71 LT	39.50
79+970.480	8.14 RT	-	80+034.480	8.30 RT	64.00
HARRISON AVE					
89+977.350	4.01 LT	-	89+983.365	4.11 LT	6.00
90+020.935	4.12 LT	-	90+052.310	4.93 LT	31.40
89+937.900	7.39 RT	-	89+980.480	5.33 RT	42.60
90+018.240	5.38 RT	-	90+030.968	5.35 RT	12.70
TOTAL =					887.9

CONCRETE BARRIER, SINGLE FACE, 1065 MM HEIGHT

STATION	OFFSET(m)		STATION	OFFSET(m)	METERS
ILLINOIS					
7+541.215	25.68 LT	-	7+589.056	25.68 LT	47.80
7+543.379	25.68 RT	-	7+621.420	25.68 RT	78.00
TOTAL =					125.8

CONCRETE BARRIER, DOUBLE FACE, 1065 MM HEIGHT

STATION	OFFSET(m)		STATION	OFFSET(m)	METERS
ILLINOIS					
6+850.000	0.00 RT	-	6+947.238	0.00 RT	97.20
6+955.718	0.00 RT	-	7+235.300	0.00 RT	279.60
7+243.780	0.00 RT	-	7+308.450	0.00 RT	64.70
7+316.930	0.00 RT	-	7+569.530	0.00 RT	252.60
7+594.090	0.00 RT	-	7+941.220	0.00 RT	347.10
7+342.041	29.28 LT	-	7+354.041	29.28 LT	12.00
TOTAL =					1,053.2

CONCRETE BARRIER TRANSITION

STATION	OFFSET(m)		STATION	OFFSET(m)	METERS
ILLINOIS					
6+947.238	0.00 RT	-	6+949.838	0.00 RT	2.60
6+953.118	0.00 RT	-	6+955.718	0.00 RT	2.60
7+235.300	0.00 RT	-	7+237.900	0.00 RT	2.60
7+241.180	0.00 RT	-	7+243.780	0.00 RT	2.60
7+308.450	0.00 RT	-	7+311.050	0.00 RT	2.60
7+314.330	0.00 RT	-	7+316.930	0.00 RT	2.60
7+564.840	0.00 RT	-	7+569.530	0.00 RT	4.70
7+589.490	0.00 RT	-	7+594.090	0.00 RT	4.60
7+941.220	0.00 RT	-	7+945.320	0.00 RT	4.10
7+948.980	0.00 RT	-	7+955.130	0.00 RT	6.20
TOTAL =					35.2

BARRIER BASE

STATION	OFFSET(m)		STATION	OFFSET(m)	METERS
ILLINOIS					
SEE M637150	CONC BAR 1F 1065 HT SPL				112.80
SEE M6370175	CONC BAR 1F 1065HT				125.80
SEE M6370275	CONC BAR 2F 1065HT				1,053.20
SEE M6370805	CONC BAR TRANS				35.20
TOTAL =					1,327.0

POLYUREA PAVEMENT MARKING TYPE I - LINE 100MM

STATION	OFFSET(m)		STATION	OFFSET(m)	METERS
ILLINOIS					
WESTBOUND YELLOW					
6+814.721	4.08 LT	-	7+050.000	4.08 LT	235.30
7+050.000	4.08 LT	-	7+380.276	4.08 LT	330.30
7+380.276	4.08 LT	-	7+750.000	4.08 LT	369.70
7+750.000	4.08 LT	-	7+951.532	4.08 LT	201.50
WESTBOUND WHITE					
6+814.721	26.13 LT	-	6+852.438	26.13 LT	37.70
6+852.438	26.13 LT	-	7+050.000	25.68 LT	197.60
7+050.000	25.68 LT	-	7+361.215	25.68 LT	311.20
7+361.215	25.68 LT	-	7+421.215	24.48 LT	60.00
7+421.215	24.48 LT	-	7+481.215	23.28 LT	60.00
7+481.215	23.28 LT	-	7+541.215	22.08 LT	60.00
7+541.215	22.08 LT	-	7+750.000	22.08 LT	208.80
7+750.000	22.08 LT	-	7+946.292	22.08 LT	196.30
EASTBOUND YELLOW					
6+814.721	4.08 RT	-	7+050.000	4.08 RT	235.30
7+050.000	4.08 RT	-	7+380.276	4.08 RT	330.30
7+380.276	4.08 RT	-	7+400.000	4.08 RT	19.70
7+400.000	4.08 RT	-	7+750.000	4.08 RT	350.00
7+750.000	4.08 RT	-	7+953.942	4.08 RT	203.90
EASTBOUND WHITE					
6+814.721	24.10 RT	-	6+955.111	22.08 RT	140.40
6+955.111	22.08 RT	-	7+050.000	22.08 RT	94.90
7+050.000	22.08 RT	-	7+380.276	22.08 RT	330.30
7+380.276	22.08 RT	-	7+400.000	22.08 RT	19.70
7+400.000	22.08 RT	-	7+750.000	22.08 RT	350.00
7+750.000	22.08 RT	-	7+959.333	22.08 RT	209.30
TOTAL =					4,552.2

POLYUREA PAVEMENT MARKING TYPE I - LINE 125MM

STATION	OFFSET(m)		STATION	OFFSET(m)	METERS
ILLINOIS					
EASTBOUND - 9M SKIP - 3M DASH					
6+814.721	7.68 RT	-	7+050.000	7.68 RT	58.8
6+814.721	11.28 RT	-	7+050.000	11.28 RT	58.8
6+814.721	14.88 RT	-	7+050.000	14.88 RT	58.8
6+814.721	18.48 RT	-	7+050.000	18.48 RT	58.8
7+050.000	7.68 RT	-	7+380.276	7.68 RT	82.6
7+050.000	11.28 RT	-	7+380.276	11.28 RT	82.6
7+050.000	14.88 RT	-	7+380.276	14.88 RT	82.6
7+050.000	18.48 RT	-	7+380.276	18.48 RT	82.6
7+380.276	7.68 RT	-	7+750.000	7.68 RT	92.4
7+380.276	11.28 RT	-	7+750.000	11.28 RT	92.4
7+380.276	14.88 RT	-	7+750.000	14.88 RT	92.4
7+380.276	18.48 RT	-	7+750.000	18.48 RT	92.4
7+750.000	7.68 RT	-	7+951.532	7.68 RT	50.4
7+750.000	11.28 RT	-	7+951.532	11.28 RT	50.4
7+750.000	14.88 RT	-	7+951.532	14.88 RT	50.4
7+750.000	18.48 RT	-	7+951.532	18.48 RT	50.4
WESTBOUND - 9M SKIP - 3M DASH					
6+814.721	7.68 LT	-	6+852.395	7.68 LT	9.4
6+814.721	11.28 LT	-	6+852.395	11.28 LT	9.4
6+814.721	14.88 LT	-	6+852.395	14.88 LT	9.4
6+814.721	18.48 LT	-	6+852.395	18.48 LT	9.4
6+814.721	22.54 LT	-	6+852.395	22.08 LT	9.4
6+852.395	7.68 LT	-	7+050.000	7.68 LT	49.4
6+852.395	11.28 LT	-	7+050.000	11.28 LT	49.4
6+852.395	14.88 LT	-	7+050.000	14.88 LT	49.4
6+852.395	18.48 LT	-	7+050.000	18.48 LT	49.4
6+852.395	22.08 LT	-	7+050.000	22.08 LT	49.4
7+050.000	7.68 LT	-	7+380.276	7.68 LT	82.6
7+050.000	11.28 LT	-	7+380.276	11.28 LT	82.6
7+050.000	14.88 LT	-	7+380.276	14.88 LT	82.6
7+050.000	18.48 LT	-	7+380.276	18.48 LT	82.6
7+050.000	22.08 LT	-	7+380.276	22.08 LT	82.6
7+380.276	7.68 LT	-	7+750.000	7.68 LT	92.4
7+380.276	11.28 LT	-	7+750.000	11.28 LT	92.4
7+380.276	14.88 LT	-	7+750.000	14.88 LT	92.4
7+380.276	18.48 LT	-	7+750.000	18.48 LT	92.4
7+750.000	7.68 LT	-	7+951.532	7.68 LT	50.4
7+750.000	11.28 LT	-	7+951.532	11.28 LT	50.4
7+750.000	14.88 LT	-	7+951.532	14.88 LT	50.4
7+750.000	18.48 LT	-	7+951.532	18.48 LT	50.4
TOTAL =					2,415

POLYUREA PAVEMENT MARKING TYPE I - LINE 300MM

STATION	OFFSET(m)		STATION	OFFSET(m)	METERS
ILLINOIS					
EASTBOUND YELLOW					
6+814.721	0.48 RT	-	6+818.321	4.08 RT	5.10
6+964.721	0.48 RT	-	6+968.321	4.08 RT	5.10
7+114.721	0.48 RT	-	7+118.321	4.08 RT	5.10
7+264.721	0.48 RT	-	7+268.321	4.08 RT	5.10
7+413.792	0.48 RT	-	7+417.531	4.08 RT	5.20
7+562.599	0.48 RT	-	7+566.163	4.08 RT	5.10
7+711.044	0.48 RT	-	7+714.655	4.08 RT	5.10
7+859.489	0.48 RT	-	7+863.100	4.08 RT	5.10
EASTBOUND WHITE					
6+814.721	27.70 RT	-	6+818.374	24.05 RT	5.20
6+964.721	25.68 RT	-	6+968.321	22.08 RT	5.10
7+114.721	25.68 RT	-	7+118.321	22.08 RT	5.10
7+264.721	25.68 RT	-	7+268.321	22.08 RT	5.10
7+413.792	30.01 RT	-	7+421.525	22.08 RT	11.50

SCHEDULE OF QUANTITIES

ALL DIMENSIONS IN METERS EXCEPT PAVEMENT ITEMS AND UNLESS NOTED OTHERWISE

F.A.I. RTE. 80/94	SECTION 2626.2-R-2	COUNTY COOK/LAKE	TOTAL SHEETS 1207	SHEET NO. 31
STA.		TO STA.		
FED. ROAD DIST. NO.		ILLINOIS FED. AID PROJECT		
CONTRACT NO. 62114		INDOT DES. NO. 0100987		

CONCRETE BARRIER, SINGLE FACE, 1065 MM HEIGHT, SPECIAL

STATION	OFFSET(m)	-	STATION	OFFSET(m)	METERS	
ILLINOIS	7+589.056	26.18 LT	-	7+701.836	26.18 LT	112.8
TOTAL =					113	

REMOVE TEMPORARY CONCRETE BARRIER

STATION	OFFSET(m)	-	STATION	OFFSET(m)	METERS	
ILLINOIS	6+814.718	18.73 LT	-	6+879.807	15.48 LT	65.2
6+879.807	15.48 LT	-	7+300.300	15.48 LT	420.5	
7+300.300	15.48 LT	-	7+340.000	14.16 LT	39.7	
7+340.000	14.16 LT	-	7+370.000	11.66 LT	30.1	
7+462.036	26.96 LT	-	7+543.200	26.52 LT	81.2	
7+547.557	0.60 LT	-	7+570.389	0.87 RT	22.9	
7+590.883	9.26 LT	-	7+950.000	4.11 LT	359.2	
7+592.359	16.97 RT	-	7+798.436	19.76 RT	206.1	
7+798.436	19.76 RT	-	7+858.375	20.18 RT	59.9	
7+858.375	20.18 RT	-	7+921.613	19.08 RT	63.2	
7+921.613	19.08 RT	-	7+950.000	18.50 RT	28.4	
7+893.754	20.70 LT	-	7+950.000	19.60 LT	56.3	
TOTAL =					1,433	

REMOVE TEMPORARY CONCRETE BARRIER

STATION	OFFSET(m)	-	STATION	OFFSET(m)	METERS	
INDIANA	7+950.000	4.11 LT	-	8+028.938	2.92 LT	78.9
8+028.938	2.92 LT	-	8+058.137	2.70 LT	29.2	
8+058.137	2.70 LT	-	8+380.451	2.70 LT	322.3	
8+380.451	2.70 LT	-	8+411.950	4.80 LT	31.6	
8+411.950	4.80 LT	-	8+655.600	4.80 LT	243.6	
8+655.600	4.80 LT	-	8+685.214	2.70 LT	29.7	
8+685.214	2.70 LT	-	8+873.977	2.70 LT	188.8	
8+873.977	2.70 LT	-	9+150.000	0.00 RT	276.0	
9+150.000	0.00 RT	-	9+250.000	0.00 RT	100.0	
7+950.000	19.60 LT	-	8+003.400	18.16 LT	53.4	
8+003.400	18.16 LT	-	8+043.129	19.00 LT	39.7	
7+950.000	18.50 RT	-	8+210.100	17.65 RT	260.1	
8+210.100	17.65 RT	-	8+375.929	13.50 RT	165.9	
8+375.929	13.50 RT	-	8+411.951	11.10 RT	36.1	
8+411.951	11.10 RT	-	8+603.030	11.10 RT	191.1	
8+603.030	11.10 RT	-	8+655.600	15.36 RT	52.7	
8+655.600	15.36 RT	-	8+698.290	17.05 RT	42.7	
8+698.290	17.05 RT	-	8+740.000	19.12 RT	41.8	
9+200.827	21.23 RT	-	9+282.250	21.80 RT	81.4	
9+282.250	21.80 RT	-	9+444.220	22.82 RT	162.0	
9+394.491	21.90 LT	-	9+408.838	22.74 LT	14.4	
9+408.838	22.74 LT	-	9+415.745	22.74 LT	6.9	
TOTAL =					2,448	

FENCE REMOVAL

STATION	OFFSET(m)	-	STATION	OFFSET(m)	METERS	
ILLINOIS	7+465.000	28.15 LT	-	7+485.850	37.41 LT	22.8
7+485.850	37.41 LT	-	7+485.428	50.53 LT	13.1	
7+521.177	45.92 LT	-	7+529.254	43.24 LT	8.5	
7+521.710	45.49 LT	-	7+532.076	27.67 LT	20.6	
7+532.076	27.67 LT	-	7+544.610	26.51 LT	12.6	
7+490.173	28.88 RT	-	7+491.919	51.90 RT	23.1	
7+531.627	49.21 RT	-	7+536.295	30.32 RT	19.5	
7+536.295	30.32 RT	-	7+544.355	27.21 RT	8.6	
7+608.760	27.07 RT	-	7+617.228	30.40 RT	9.1	
7+617.228	30.40 RT	-	7+636.408	28.12 RT	19.3	
7+648.260	27.18 RT	-	7+818.295	28.47 RT	170.0	
TOTAL =					327	

FENCE REMOVAL

STATION	OFFSET(m)	-	STATION	OFFSET(m)	METERS	
INDIANA	7+947.919	41.20 LT	-	8+016.600	39.53 LT	68.7
8+171.740	40.87 LT	-	8+185.920	40.55 LT	14.2	
8+185.920	40.55 LT	-	8+197.000	32.95 LT	13.4	
8+197.000	32.95 LT	-	8+206.410	21.79 RT	55.5	
8+225.026	45.17 LT	-	8+243.783	18.30 LT	32.8	
8+225.030	45.17 LT	-	8+416.470	45.86 LT	191.4	
8+416.470	45.86 LT	-	8+411.000	21.32 LT	25.1	
8+580.280	22.63 LT	-	8+583.410	43.63 LT	21.2	
8+583.410	43.63 LT	-	8+734.580	43.99 LT	151.2	
8+734.580	43.99 LT	-	8+734.510	37.41 LT	6.6	
8+734.510	37.41 LT	-	8+732.390	24.90 LT	12.7	
8+762.850	25.30 LT	-	8+757.730	40.31 LT	15.9	
8+757.730	40.31 LT	-	8+848.870	37.92 LT	91.2	
8+848.870	37.92 LT	-	8+901.990	35.94 LT	53.2	
8+901.990	35.94 LT	-	8+942.110	34.84 LT	40.1	
8+942.110	34.84 LT	-	8+991.920	35.37 LT	49.8	
8+991.920	35.37 LT	-	9+053.920	34.48 LT	62.0	
9+053.920	34.48 LT	-	9+061.310	36.83 LT	7.8	
9+061.310	36.83 LT	-	9+101.000	39.70 LT	39.8	

EASTBOUND

7+973.460	32.24 RT	-	7+980.240	36.92 RT	8.2
7+980.240	36.92 RT	-	7+982.610	44.75 RT	8.2
7+982.610	44.75 RT	-	8+029.730	42.10 RT	47.2
8+029.730	42.10 RT	-	8+216.150	42.33 RT	186.4
8+256.550	44.83 RT	-	8+367.490	43.47 RT	110.9
8+367.490	43.47 RT	-	8+390.760	43.45 RT	23.3
8+390.760	43.45 RT	-	8+470.310	43.55 RT	79.6
8+470.310	43.55 RT	-	8+478.550	40.52 RT	8.8
8+470.310	43.55 RT	-	8+460.110	36.17 RT	12.6
8+594.430	38.63 RT	-	8+593.770	46.16 RT	7.6
8+593.770	46.16 RT	-	8+682.140	43.23 RT	88.4
8+682.140	43.23 RT	-	8+755.890	45.06 RT	73.8
8+775.440	23.95 RT	-	8+774.740	45.06 RT	21.1
8+774.740	45.06 RT	-	8+814.620	44.13 RT	39.9
8+814.620	44.13 RT	-	8+879.440	44.32 RT	64.8
8+879.440	44.32 RT	-	8+921.730	46.06 RT	42.3
8+921.730	46.06 RT	-	8+959.370	51.55 RT	38.0
8+959.370	51.55 RT	-	9+033.310	41.30 RT	74.6
9+033.310	41.30 RT	-	9+073.700	37.16 RT	40.6
9+073.700	37.16 RT	-	9+125.380	34.36 RT	51.8
9+125.380	34.36 RT	-	9+147.540	35.62 RT	22.2
9+147.540	35.62 RT	-	9+154.180	35.97 RT	6.6
9+154.180	35.97 RT	-	9+163.260	39.09 RT	9.6
TOTAL =					2,019

IMPACT ATTENUATOR REMOVAL

STATION	OFFSET(m)	EACH	
ILLINOIS	7+375.000	12.500 LT	1.0
7+580.000	17.000 RT		1.0
TOTAL =			2

IMPACT ATTENUATOR REMOVAL

STATION	OFFSET(m)	EACH	
INDIANA	9+057.000	30.750 RT	1.0
9+190.720	21.300 RT		1.0
9+240.300	32.000 RT		1.0
HOHMAN AVE	80+025.610	8.500 LT	1.0
TOTAL =			4

PLANTING MIX FURNISH AND PLACE 900MM

STATION	WIDTH(m)	-	STATION	WIDTH(m)	SQ METER	
ILLINOIS	7+588.880	4.500	-	7+648.820	0.800	158.8
TOTAL =					159	

BARRIER SUPPORT STRUCTURE FOR NOISE ABATEMENT WALL

STATION	OFFSET(m)	-	STATION	OFFSET(m)	METERS	
ILLINOIS	7+465.000	27.70 LT	-	7+544.316	26.09 LT	79.30
7+621.419	26.18 RT	-	7+821.757	26.18 RT	200.30	
TOTAL =					279.6	

SUBGRADE TREATMENT TYPE IA (INDIANA)

STATION	WIDTH(m)	-	STATION	WIDTH(m)	SQ METER	
INDIANA	7+950.000	0.760	-	8+192.203	0.760	184.1
8+258.062	0.760	-	8+414.870	0.760	119.2	
8+602.482	0.760	-	8+729.813	0.760	96.8	
8+779.863	0.760	-	9+356.431	0.760	438.2	
9+382.175	0.760	-	9+650.000	0.760	203.5	
UNDER CD BARRIERS						
9+102.387	0.760	-	9+412.750	0.760	235.9	
9+202.220	0.760	-	9+375.000	0.760	131.3	
SEE QC/QA PCCP 400MM					57,225.6	
SEE QC/QA PCCP 330MM					3,866.5	
TOTAL =					62,501	

SUBBASE FOR PCCP 225MM (INDIANA)

STATION	CUT/FILL(m ²)	-	STATION	CUT/FILL(m ²)	CU Meter
INDIANA	75MM TYPE "D" COMPACTED AGGREGATE BASE #8 OR #43 ON				
150MM TYPE "G" COMPACTED AGGREGATE BASE #53					
UNDER MEDIAN BARRIER					
7+950.000	0.171	-	8+192.203	0.171	41.40
8+258.062	0.171	-	8+414.870	0.171	26.80
8+602.482	0.171	-	8+729.813	0.171	21.80
8+779.863	0.171	-	9+356.431	0.171	98.60
9+382.167	0.171	-	9+650.000	0.171	45.80
UNDER CD ROAD BARRIERS					
9+102.387	0.171	-	9+412.750	0.171	53.10
9+202.220	0.171	-	9+375.000	0.171	29.50
SEE QC/QA PCCP 400MM					12,875.76
SEE QC/QA PCCP 330MM					869.96
TOTAL =					14,062.7

DENSE GRADED SUBBASE (INDIANA)

STATION	CUT/FILL(m ²)	-	STATION	CUT/FILL(m ²)	CU Meter
INDIANA	150 MM THICK				
SEE R C BRIDGE APPR 400					515.40
TOTAL =					515.4

COMPACTED AGGREGATE, NO. 73 (INDIANA)

STATION	WIDTH(m)	-	STATION	WIDTH(m)	SQ METER	
INDIANA	79+976.280	1.900	-	80+031.860	1.900	105.6
HOHMAN	79+976.280	2.100	-	80+031.860	2.100	116.7

SCHEDULE OF QUANTITIES

ALL DIMENSIONS IN METERS EXCEPT PAY ITEMS AND UNLESS NOTED OTHERWISE

F.A.I. RTE.	SECTION	COUNTY	TOTAL SHEETS	SHEET NO.
80/94	2626.2-R-2	COOK/LAKE	1207	32
STA.		TO STA.		
FED. ROAD DIST. NO.		ILLINOIS	FED. AID PROJECT	
CONTRACT NO. 62114		INDOT DES. NO. 0100987		

QC/QA PCCP 400mm (INDIANA)

 STATION WIDTH(m) - STATION WIDTH(m) SQ METER

INDIANA				
MAINLINE PAVEMENT				
WESTBOUND				
7+950.000	18.000	-	8+182.692	18.000 4,188.5
8+258.098	18.000	-	8+395.842	18.000 2,479.4
8+602.913	18.000	-	8+722.156	18.000 2,146.4
8+779.863	18.000	-	8+872.841	20.500 1,789.8
8+872.841	14.400	-	9+395.341	14.400 7,524.0
RAMP A				
20+674.472	4.900	-	20+448.434	11.000 1,797.0
EASTBOUND				
7+950.000	18.000	-	8+192.166	18.000 4,359.0
8+267.572	18.000	-	8+414.089	18.000 2,637.3
8+612.362	18.000	-	8+730.346	18.000 2,123.7
8+786.326	18.000	-	8+950.805	18.000 2,960.6
8+950.805	18.000	-	9+046.861	20.500 1,849.1
9+046.861	14.400	-	9+375.000	14.400 4,725.2
RAMP I				
30+097.032	4.900	-	30+114.971	4.900 87.9
30+114.971	4.900	-	30+255.192	11.000 1,114.8
INSIDE SHOULDERS				
WESTBOUND				
7+950.000	3.700	-	8+182.692	3.700 861.0
8+258.098	3.700	-	8+395.842	3.700 509.7
8+602.913	3.700	-	8+722.156	3.700 441.2
8+779.863	3.700	-	9+395.341	3.700 2,277.3
EASTBOUND				
7+950.000	3.700	-	8+192.166	3.700 896.0
8+267.572	3.700	-	8+414.089	3.700 542.1
8+612.362	3.700	-	8+730.346	3.700 436.5
8+786.326	3.700	-	9+375.000	3.700 2,178.1
9+382.177	0.900	-	9+650.000	0.900 241.0
OUTSIDE SHOULDERS				
WESTBOUND				
7+950.000	3.600	-	8+182.692	3.600 837.7
8+258.098	3.600	-	8+395.842	3.600 495.9
8+602.913	3.600	-	8+722.156	3.600 429.3
8+779.863	3.600	-	8+804.424	3.000 81.1
20+741.820	3.000	-	20+448.434	3.000 880.2
EASTBOUND				
7+950.000	3.600	-	8+192.166	3.600 871.8
8+267.572	3.600	-	8+414.089	3.600 527.5
8+612.362	3.600	-	8+730.346	3.600 424.7
8+786.326	3.600	-	8+950.805	3.600 592.1
30+000.000	3.600	-	30+150.800	3.000 497.6
30+150.800	3.000	-	30+255.192	3.000 313.2
GORE AREAS				
WESTBOUND				
8+872.841	1.200	-	9+102.387	6.000 826.4
9+102.387	3.700	-	9+395.341	3.700 1,083.9
EASTBOUND				
9+046.861	1.200	-	9+202.220	6.000 559.3
9+202.220	3.700	-	9+375.000	3.700 639.3
				TOTAL = 57,226

QC/QA PCCP 330 (INDIANA)

 STATION WIDTH(m) - STATION WIDTH(m) SQ METER

INDIANA				
CD NORTH				
0+016.117	7.700	-	0+047.171	12.700 316.8
0+047.171	9.500	-	0+193.468	9.500 1,389.8
9+281.883	1.600	-	9+412.750	1.600 209.4
CD SOUTH				
0+000.000	15.600	-	0+073.491	19.200 1,278.7
0+073.491	9.500	-	0+138.163	9.500 614.4
0+138.163	1.600	-	0+174.049	1.600 57.4
				TOTAL = 3,867

BARRIER CONCRETE, 1145 (INDIANA)

 STATION OFFSET(m) - STATION OFFSET(m) METERS

INDIANA				
9+386.248	0.00	RT	-	9+650.000 0.00 RT 263.80
				TOTAL = 263.8

BARRIER CONCRETE, 1145 (MODIFIED) (INDIANA)

 STATION OFFSET(m) - STATION OFFSET(m) METERS

INDIANA				
7+955.130	0.00	RT	-	7+957.450 0.00 RT 2.30
7+980.170	0.00	RT	-	8+110.000 0.00 RT 129.80
8+140.000	0.00	RT	-	8+198.228 0.00 RT 58.20
8+252.037	0.00	RT	-	8+259.730 0.00 RT 7.70
8+270.280	0.00	RT	-	8+369.730 0.00 RT 99.40
8+380.280	0.00	RT	-	8+420.573 0.00 RT 40.30
8+596.372	0.00	RT	-	8+735.906 0.00 RT 139.50
8+773.788	0.00	RT	-	8+925.610 0.00 RT 151.80
8+936.160	0.00	RT	-	9+203.670 0.00 RT 267.50
9+215.850	0.00	RT	-	9+352.390 0.00 RT 136.50
				TOTAL = 1,033.0

CONCRETE BARRIER TRANSITION (INDIANA)

 STATION OFFSET(m) EACH

INDIANA				
7+957.450	0.000	RT		1.0
7+970.340	0.000	RT		1.0
8+263.480	0.000	RT		1.0
8+266.530	0.000	RT		1.0
8+373.470	0.000	RT		1.0
8+376.530	0.000	RT		1.0
8+929.360	0.000	RT		1.0
8+932.410	0.000	RT		1.0
9+200.728	23.041	RT		1.0
9+203.718	23.040	RT		1.0
9+206.690	0.000	RT		1.0
9+212.760	0.000	RT		1.0
9+356.431	0.000	RT		1.0
9+382.175	0.000	RT		1.0
				TOTAL = 14

BARRIER, CONCRETE, 840 mm, MODIFIED (INDIANA)

 STATION OFFSET(m) - STATION OFFSET(m) METERS

INDIANA				
9+102.387	22.56	LT	-	9+412.750 22.56 LT 310.4
9+207.440	22.56	RT	-	9+444.380 22.56 RT 236.9
				TOTAL = 547

FENCE, CHAIN LINK, 1220 MM

 STATION OFFSET(m) - STATION OFFSET(m) METERS

INDIANA				
WESTBOUND				
7+998.000	26.48	LT	-	7+998.000 39.23 LT 12.7
7+998.000	39.23	LT	-	8+184.350 40.53 LT 186.4
8+184.350	40.53	LT	-	8+189.460 26.48 LT 15.0
8+241.840	26.48	LT	-	8+235.090 45.05 LT 19.8
8+235.090	45.05	LT	-	8+403.050 46.10 LT 168.0
8+403.050	46.10	LT	-	8+403.050 26.48 LT 19.6
8+403.050	38.08	LT	-	8+414.310 38.08 LT 11.3
8+587.360	26.48	LT	-	8+581.780 41.67 LT 16.2
8+581.780	41.67	LT	-	8+582.260 43.61 LT 2.0
8+582.260	43.61	LT	-	8+609.250 44.66 LT 27.0
8+609.250	44.66	LT	-	8+653.060 45.40 LT 43.8
8+653.060	45.40	LT	-	8+729.850 44.20 LT 76.8
8+729.850	44.20	LT	-	8+729.850 26.48 LT 17.7
8+764.950	26.48	LT	-	8+761.090 40.34 LT 14.4
8+761.090	40.34	LT	-	8+857.480 37.56 LT 96.4
8+857.480	37.56	LT	-	8+942.330 34.81 LT 84.9
8+942.330	34.81	LT	-	8+995.440 35.57 LT 53.1
8+995.440	35.57	LT	-	9+059.750 38.53 LT 64.4
9+059.750	38.53	LT	-	9+073.740 38.15 LT 14.0
9+073.740	38.15	LT	-	9+100.000 39.90 LT 26.3
9+100.000	39.90	LT	-	9+101.000 39.72 LT 1.0
EASTBOUND				
7+973.460	32.24	RT	-	7+980.140 36.74 RT 8.1
7+980.140	36.74	RT	-	7+982.580 44.87 RT 8.5
7+982.580	44.87	RT	-	8+040.050 41.67 RT 57.6
8+040.050	41.67	RT	-	8+099.090 42.09 RT 59.0
8+100.910	42.08	RT	-	8+173.260 42.20 RT 72.4
8+173.260	42.20	RT	-	8+214.490 42.35 RT 41.2
8+214.490	42.35	RT	-	8+208.720 26.48 RT 16.9
8+261.100	26.48	RT	-	8+261.100 44.72 RT 18.2
8+261.100	44.72	RT	-	8+349.090 43.44 RT 88.0
8+350.910	43.50	RT	-	8+356.810 43.70 RT 5.9
8+356.810	43.44	RT	-	8+468.750 42.46 RT 111.9
8+468.750	42.46	RT	-	8+473.400 42.41 RT 4.7
8+473.400	42.41	RT	-	8+477.580 40.87 RT 4.5
8+468.750	42.46	RT	-	8+439.490 25.53 RT 33.8
8+605.700	26.48	RT	-	8+605.850 43.95 RT 17.5
8+605.850	43.95	RT	-	8+756.780 45.11 RT 150.9
8+756.780	45.11	RT	-	8+745.120 26.48 RT 22.0
8+779.150	26.48	RT	-	8+779.150 45.02 RT 18.5
8+779.150	45.02	RT	-	8+869.760 44.50 RT 90.6
8+869.760	44.50	RT	-	8+958.960 51.63 RT 89.5
8+958.960	51.63	RT	-	9+111.640 34.92 RT 153.6
9+111.640	34.92	RT	-	9+111.640 32.52 RT 2.4
9+162.540	38.68	RT	-	9+162.530 36.28 RT 2.4
				TOTAL = 2,049

FENCE GATE, CHAIN LINK, 1220 MM X 3.7 M

 STATION OFFSET(m) EACH

INDIANA				
8+100.000	42.000	RT		1.0
8+350.000	43.490	RT		1.0
				TOTAL = 2

SIDEWALK, CONCRETE 100 MM (INDIANA)

 STATION WIDTH(m) - STATION WIDTH(m) SQ METER

INDIANA				
HOHMAN ST				
SOUTHBOUND				
79+953.738	2.000	-	79+955.498	2.000 3.5
79+955.498	2.000	-	79+958.498	1.500 5.3
79+958.498	1.500	-	79+962.846	1.500 6.5
79+962.846	1.500	-	79+975.880	1.500 22.3
79+975.880	1.500	-	79+972.186	1.500 25.2
79+975.880	1.500	-	80+031.459	1.500 83.4
NORTHBOUND				
79+945.139	1.900	-	79+954.865	1.900 18.5
79+954.865	1.900	-	79+956.865	1.500 3.4
79+956.865	1.500	-	79+961.625	1.500 7.1
79+961.625	1.500	-	79+968.053	1.500 10.0
79+968.053	1.500	-	80+029.500	1.500 92.2
				TOTAL = 277

SIDEWALK, CONCRETE 150 MM (INDIANA)

 STATION WIDTH(m) - STATION WIDTH(m) SQ METER

INDIANA				
WEIGH-IN-MOTION SYSTEM PAD				
79+953.738	12.0			12.0
79+958.498	12.0			12.0
				TOTAL = 24

CURB AND GUTTER, C, CONCRETE, SPECIAL (INDIANA)

 STATION OFFSET(m) - STATION OFFSET(m) METERS

INDIANA				
HOHMAN AVE				
79+958.914				

SCHEDULE OF QUANTITIES

ALL DIMENSIONS IN METERS EXCEPT PAY ITEMS AND UNLESS NOTED OTHERWISE

F.A.I. RTE.	SECTION	COUNTY	TOTAL SHEETS	SHEET NO.
80/94	2626.2-R-2	COOK/LAKE	1207	33
STA.		TO STA.		
FED. ROAD DIST. NO.		ILLINOIS		FED. AID PROJECT
CONTRACT NO. 62114		INDOT DES. NO. 0100987		

REINFORCED CONCRETE BRIDGE APPROACH, 400MM (INDIANA)

STATION	WIDTH(m)	STATION	WIDTH(m)	SQ METER
INDIANA				
HOHMAN AVENUE				
WESTBOUND				
8+182.692	25.680	8+188.892	25.680	159.2
8+188.892	25.680	8+198.228	0.000	119.9
8+242.701	0.000	8+252.037	25.680	119.9
8+252.037	25.680	8+258.062	25.680	154.7
EASTBOUND				
8+192.166	25.680	8+198.228	25.680	155.7
8+198.228	25.680	8+207.564	0.000	119.9
8+252.037	0.000	8+261.372	25.680	119.9
8+261.372	25.680	8+267.572	25.680	159.2
LITTLE CALUMET RIVER				
WESTBOUND				
8+395.842	25.680	8+402.042	25.680	159.2
8+402.042	25.680	8+419.757	0.000	227.5
8+587.505	0.000	8+596.713	25.680	118.2
8+596.713	25.680	8+602.913	25.680	159.2
EASTBOUND				
8+414.089	25.680	8+420.289	25.680	159.2
8+420.289	25.680	8+438.005	0.000	227.5
8+596.990	0.000	8+606.321	25.680	119.8
8+606.321	25.680	8+612.362	25.680	155.1
HARRISON AVENUE				
WESTBOUND				
8+722.717	25.680	8+728.999	25.680	161.3
8+728.999	25.680	8+736.346	0.000	94.3
8+766.342	0.000	8+773.143	25.680	87.3
8+773.143	25.680	8+779.343	25.680	159.2
EASTBOUND				
8+730.346	25.680	8+736.563	25.680	159.7
8+736.563	25.680	8+743.699	0.000	91.6
8+773.344	0.000	8+779.951	25.680	84.8
8+779.951	25.680	8+786.326	25.680	163.7
TOTAL = 3,436				

HANDRAIL, STEEL (INDIANA)

STATION	OFFSET(m)	STATION	OFFSET(m)	METERS
INDIANA				
WEIGHT-IN-MOTION SYSTEM PLATFORM				
8+333.372	26.29 RT	8+338.772	26.29 RT	5.4
8+335.172	26.31 LT	8+340.572	26.31 LT	5.4
TOTAL = 11				

LINE, EPOXY, SOLID, WHITE, 100MM (INDIANA)

STATION	OFFSET(m)	STATION	OFFSET(m)	METERS
EASTBOUND				
7+959.333	22.08 RT	8+261.330	22.08 RT	302.0
9+202.220	18.48 RT	9+555.790	18.48 RT	353.6
9+515.200	52.10 RT	9+536.550	35.33 RT	27.1
9+536.550	35.33 RT	9+555.790	25.97 RT	21.4
9+520.380	57.27 RT	9+536.540	44.01 RT	20.9
9+536.540	44.01 RT	9+554.980	34.16 RT	20.9
9+554.980	34.16 RT	9+574.980	28.10 RT	20.9
9+574.980	28.10 RT	9+595.790	26.00 RT	20.9
9+595.790	26.00 RT	9+825.000	26.00 RT	229.2
WESTBOUND				
7+946.291	22.08 LT	8+603.684	22.08 LT	657.4
8+603.684	22.08 LT	8+728.443	22.07 LT	124.8
9+102.384	18.48 LT	9+825.000	18.48 LT	722.6
SOUTH CD ROAD				
0+051.822	0.00 RT	0+193.524	0.00 RT	141.7
NORTH CD ROAD				
0+047.166	1.30 RT	0+193.469	1.30 RT	146.3
RAMP A				
20+339.974	0.00 RT	20+418.005	0.00 RT	78.0
RAMP I				
30+307.160	0.00 RT	30+329.127	0.00 RT	22.0
TOTAL = 2,915				

LINE, EPOXY, SOLID, YELLOW, 100MM (INDIANA)

STATION	OFFSET(m)	STATION	OFFSET(m)	METERS
EASTBOUND				
7+953.942	4.08 RT	9+825.000	4.08 RT	1,871.1
WESTBOUND				
7+951.532	4.08 LT	9+825.000	4.08 LT	1,873.5
SOUTH CD ROAD				
0+051.822	4.90 LT	0+193.524	4.90 LT	141.7
NORTH CD ROAD				
0+047.166	4.90 LT	0+193.469	4.90 RT	146.6
RAMP A				
20+339.974	4.90 LT	20+418.005	4.90 LT	78.0
RAMP I				
30+307.160	4.90 LT	30+329.127	4.90 LT	22.0
TOTAL = 4,133				

LINE, EPOXY, SOLID, WHITE, 200MM (INDIANA)

STATION	OFFSET(m)	STATION	OFFSET(m)	METERS
EASTBOUND				
8+261.330	22.08 RT	8+950.460	22.08 RT	689.1
8+950.460	18.48 RT	9+020.089	18.48 RT	69.3
9+020.089	18.48 RT	9+202.220	18.48 RT	182.1
9+202.089	18.48 RT	9+202.220	24.54 RT	182.2
WESTBOUND				
8+728.443	22.08 LT	8+776.254	22.08 LT	47.8
8+832.435	18.48 LT	9+102.387	18.48 LT	270.0
8+832.435	18.48 LT	9+102.584	24.54 LT	270.2
9+561.267	18.48 RT	9+595.790	18.48 RT	34.5
9+561.267	25.97 RT	9+578.320	20.00 RT	18.1
9+578.320	20.00 RT	9+595.790	18.48 RT	17.5
RAMP A				
20+418.002	0.00 RT	20+769.368	0.00 RT	351.4
20+418.005	4.90 LT	20+499.784	4.90 LT	81.8
20+419.742	12.14 LT	20+499.784	4.90 LT	80.4
RAMP I				
30+000.000	0.00 RT	30+307.160	0.00 RT	307.2
30+237.497	4.90 LT	30+307.160	4.90 LT	69.7
30+237.497	4.90 LT	30+306.738	10.28 LT	69.4
TOTAL = 2,741				

LINE, EPOXY, SOLID, WHITE, 600MM (INDIANA)

STATION	OFFSET(m)	STATION	OFFSET(m)	METERS
EASTBOUND				
9+035.251	19.11 RT	9+035.859	18.48 RT	0.9
9+043.761	19.52 RT	9+044.771	18.48 RT	1.5
9+052.226	19.97 RT	9+053.683	18.48 RT	2.1
9+060.716	20.45 RT	9+062.595	18.48 RT	2.7
9+069.122	20.96 RT	9+071.508	18.48 RT	3.4
9+077.543	21.45 RT	9+080.420	18.48 RT	4.1
9+085.989	21.90 RT	9+089.332	18.48 RT	4.8
9+094.628	22.32 RT	9+098.244	18.48 RT	5.3
9+103.146	22.70 RT	9+107.157	18.48 RT	5.8
9+111.689	23.05 RT	9+116.070	18.48 RT	6.3
9+120.259	23.36 RT	9+124.983	18.48 RT	6.8
9+128.857	23.64 RT	9+133.894	18.48 RT	7.2
9+137.680	23.88 RT	9+142.806	18.48 RT	7.4
9+146.350	24.08 RT	9+151.719	18.48 RT	7.8
9+155.051	24.25 RT	9+160.631	18.48 RT	8.0
9+163.784	24.38 RT	9+169.543	18.48 RT	8.2
9+172.698	24.47 RT	9+178.455	18.48 RT	8.3
9+180.524	24.52 RT	9+186.377	18.48 RT	8.4
9+188.377	24.54 RT	9+194.299	18.48 RT	8.5
9+196.137	24.54 RT	9+202.220	18.48 RT	8.6
9+559.790	21.60 RT	9+562.720	18.70 RT	4.1
9+559.790	21.60 RT	9+562.030	23.84 RT	3.2
9+571.790	20.00 RT	9+573.120	18.66 RT	1.9
9+571.790	20.00 RT	9+572.840	21.06 RT	1.5
9+583.790	19.04 RT	9+584.160	18.70 RT	0.5
9+583.790	19.04 RT	9+584.070	19.30 RT	0.4

WESTBOUND

8+855.871	18.48 LT	8+856.484	19.17 LT	0.9
8+864.707	18.48 LT	8+865.578	19.45 LT	1.3
8+873.527	18.48 LT	8+874.671	19.74 LT	1.7
8+882.344	18.48 LT	8+883.765	20.03 LT	2.1
8+891.164	18.48 LT	8+892.860	20.31 LT	2.5
8+899.987	18.48 LT	8+901.956	20.58 LT	2.9
8+908.814	18.48 LT	8+911.053	20.85 LT	3.3
8+917.724	18.48 LT	8+920.152	21.11 LT	3.6
8+926.568	18.48 LT	8+929.253	21.36 LT	3.9
8+935.416	18.48 LT	8+938.355	21.60 LT	4.3
8+944.267	18.48 LT	8+947.458	21.84 LT	4.6
8+953.231	18.48 LT	8+956.562	22.06 LT	4.9
8+962.100	18.48 LT	8+965.669	22.28 LT	5.2
8+970.972	18.48 LT	8+974.776	22.49 LT	5.5
8+979.849	18.48 LT	8+983.884	22.69 LT	5.8
8+988.930	18.48 LT	8+992.994	22.89 LT	6.0
8+997.829	18.48 LT	9+002.106	23.08 LT	6.3
9+006.732	18.48 LT	9+011.219	23.26 LT	6.6
9+015.638	18.48 LT	9+020.332	23.43 LT	6.8
9+024.550	18.48 LT	9+029.446	23.59 LT	7.1
9+033.466	18.48 LT	9+038.561	23.75 LT	7.3
9+042.553	18.48 LT	9+047.676	23.98 LT	7.5
9+051.486	18.48 LT	9+056.793	24.03 LT	7.7
9+060.424	18.48 LT	9+065.910	24.17 LT	7.9
9+069.368	18.48 LT	9+075.028	24.29 LT	8.1
9+078.317	18.48 LT	9+084.146	24.41 LT	8.3
9+087.290	18.48 LT	9+093.266	24.50 LT	8.5
9+096.306	18.48 LT	9+102.385	24.54 LT	8.6
RAMP A				
20+493.537	5.16 LT	20+493.285	4.90 LT	0.4
20+484.935	5.54 LT	20+484.314	4.90 LT	0.9
20+476.358	5.93 LT	20+475.344	4.90 LT	1.4
20+467.806	6.34 LT	20+466.374	4.90 LT	2.0
20+459.271	6.78 LT	20+457.404	4.90 LT	2.6
20+451.082	7.24 LT	20+448.434	4.90 LT	3.5
20+442.552	7.91 LT	20+439.719	4.90 LT	4.1
20+434.769	8.95 LT	20+431.004	4.90 LT	5.5
20+427.281	10.33 LT	20+422.289	4.90 LT	7.4
RAMP I				
30+243.909	5.34 LT	30+243.711	5.10 LT	0.3
30+243.711	5.10 LT	30+243.953	4.90 LT	0.3
30+252.923	5.95 LT	30+252.447	5.37 LT	0.7
30+252.447	5.37 LT	30+253.024	4.90 LT	0.7
30+261.914	6.57 LT	30+261.160	5.65 LT	1.2
30+261.160	5.65 LT	30+262.072	4.90 LT	1.2
30+270.892	7.23 LT	30+269.840	5.95 LT	1.7
30+269.840	5.95 LT	30+271.133	4.90 LT	1.7
30+279.866	7.93 LT	30+278.497	6.27 LT	2.1
30+278.497	6.27 LT	30+280.153	4.90 LT	2.1
30+288.836	8.67 LT	30+287.131	6.61 LT	2.7
30+287.131	6.61 LT	30+289.193	4.90 LT	2.7
30+297.802	9.45 LT	30+295.741	6.96 LT	3.2
30+295.741	6.96 LT	30+298.234	4.90 LT	3.2
30+306				

EARTHWORK SCHEDULE OF QUANTITIES

F.A.I. RTE.	SECTION	COUNTY	TOTAL SHEETS	SHEET NO.
80/94	2626.2-R-2	COOK/LAKE	1207	34
STA.		TO STA.		
FED. ROAD DIST. NO.		ILLINOIS	FED. AID PROJECT	
CONTRACT NO. 62114		INDOT DES. NO. 0100987		

STA. - STA. ILLINOIS	EARTH EXCAVATION (CU M)			TOTAL SUITABLE EXCAVATION (CU M)			EXCAVATION TO BE USED IN EMBANKMENT (ADJUSTED FOR SHRINKAGE 15%) (CU M)			EMBANKMENT (CU M)			EARTHWORK BALANCE WASTE (-) OR SHORTAGE (+) (CU M)		
	STAGE 1	STAGE 2	STAGE 3	STAGE 1	STAGE 2	STAGE 3	STAGE 1	STAGE 2	STAGE 3	STAGE 1	STAGE 2	STAGE 3	STAGE 1	STAGE 2	STAGE 3
6+815 - 6+825	0.00	0.00	0.00	0.00	0.00	0.00	0.00	0.00	0.00	714.18	258.00	315.87	-714.18	-258.00	-315.87
6+825 - 6+850	0.00	0.00	0.00	0.00	0.00	0.00	0.00	0.00	0.00	1705.63	615.63	780.50	-1705.63	-615.63	-780.50
6+850 - 6+875	0.00	0.00	0.00	0.00	0.00	0.00	0.00	0.00	0.00	1637.88	602.63	771.25	-1637.88	-602.63	-771.25
6+875 - 6+900	0.00	0.00	0.00	0.00	0.00	0.00	0.00	0.00	0.00	1573.00	601.00	764.63	-1573.00	-601.00	-764.63
6+900 - 6+925	0.00	0.00	0.00	0.00	0.00	0.00	0.00	0.00	0.00	1518.25	604.88	766.38	-1518.25	-604.88	-766.38
6+925 - 6+950	0.00	0.00	0.00	0.00	0.00	0.00	0.00	0.00	0.00	1475.63	620.00	775.50	-1475.63	-620.00	-775.50
6+950 - 6+975	0.00	0.00	0.00	0.00	0.00	0.00	0.00	0.00	0.00	1459.50	631.88	785.75	-1459.50	-631.88	-785.75
6+975 - 7+000	0.00	0.00	0.00	0.00	0.00	0.00	0.00	0.00	0.00	1469.63	639.25	797.00	-1469.63	-639.25	-797.00
7+000 - 7+025	0.00	0.00	0.00	0.00	0.00	0.00	0.00	0.00	0.00	1470.00	649.50	807.38	-1470.00	-649.50	-807.38
7+025 - 7+050	0.00	0.00	0.00	0.00	0.00	0.00	0.00	0.00	0.00	1436.88	652.63	809.38	-1436.88	-652.63	-809.38
7+050 - 7+075	0.00	0.00	0.00	0.00	0.00	0.00	0.00	0.00	0.00	1291.63	624.50	775.13	-1291.63	-624.50	-775.13
7+075 - 7+100	0.00	0.00	73.88	0.00	0.00	73.88	0.00	0.00	62.79	1086.75	564.25	705.13	-1086.75	-564.25	-642.33
7+100 - 7+125	0.00	0.00	138.25	0.00	0.00	138.25	0.00	0.00	117.51	917.88	498.63	633.63	-917.88	-498.63	-516.11
7+125 - 7+150	0.00	0.00	103.13	0.00	0.00	103.13	0.00	0.00	87.66	776.00	429.63	560.00	-776.00	-429.63	-472.34
7+150 - 7+175	0.00	0.00	44.63	0.00	0.00	44.63	0.00	0.00	37.93	645.25	360.50	482.75	-645.25	-360.50	-444.82
7+175 - 7+200	0.00	0.00	5.88	0.00	0.00	5.88	0.00	0.00	4.99	536.50	299.63	440.88	-536.50	-299.63	-435.88
7+200 - 7+225	0.00	0.00	0.00	0.00	0.00	0.00	0.00	0.00	0.00	450.38	242.88	430.25	-450.38	-242.88	-430.25
7+225 - 7+250	0.00	0.00	0.00	0.00	0.00	0.00	0.00	0.00	0.00	372.88	191.88	411.75	-372.88	-191.88	-411.75
7+250 - 7+275	0.00	0.00	0.00	0.00	0.00	0.00	0.00	0.00	0.00	307.88	144.13	369.50	-307.88	-144.13	-369.50
7+275 - 7+300	0.00	0.00	0.00	0.00	0.00	0.00	0.00	0.00	0.00	259.75	105.63	310.00	-259.75	-105.63	-310.00
7+300 - 7+325	0.00	0.00	0.00	0.00	0.00	0.00	0.00	0.00	0.00	208.75	72.25	265.88	-208.75	-72.25	-265.88
7+325 - 7+350	0.75	0.00	0.00	0.75	0.00	0.00	0.64	0.00	0.00	169.63	41.88	246.25	-168.99	-41.88	-246.25
7+350 - 7+375	5.25	0.00	0.00	5.25	0.00	0.00	4.46	0.00	0.00	99.50	28.50	222.00	-95.04	-28.50	-222.00
7+375 - 7+400	11.00	0.00	0.00	11.00	0.00	0.00	9.35	0.00	0.00	48.38	36.38	243.25	-39.03	-36.38	-243.25
7+400 - 7+425	9.75	0.00	0.00	9.75	0.00	0.00	8.29	0.00	0.00	70.25	64.25	314.63	-61.96	-64.25	-314.63
7+425 - 7+450	3.63	0.00	0.00	3.63	0.00	0.00	3.08	0.00	0.00	114.50	104.13	386.50	-111.42	-104.13	-386.50
7+450 - 7+475	0.63	0.00	0.00	0.63	0.00	0.00	0.53	0.00	0.00	175.75	157.13	463.38	-175.22	-157.13	-463.38
7+475 - 7+500	0.25	0.00	0.00	0.25	0.00	0.00	0.21	0.00	0.00	269.50	217.00	541.75	-269.29	-217.00	-541.75
7+500 - 7+525	0.00	0.00	0.00	0.00	0.00	0.00	0.00	0.00	0.00	411.75	283.13	632.38	-411.75	-283.13	-632.38
7+525 - 7+550	0.00	0.00	0.00	0.00	0.00	0.00	0.00	0.00	0.00	556.00	356.38	733.88	-556.00	-356.38	-733.88
7+550 - 7+575	56.00	0.00	0.00	56.00	0.00	0.00	47.60	0.00	0.00	530.50	411.88	821.88	-482.90	-411.88	-821.88
7+575 - 7+600	61.38	0.00	0.00	61.38	0.00	0.00	52.17	0.00	0.00	479.13	405.63	935.13	-426.96	-405.63	-935.13
7+600 - 7+625	5.38	0.00	0.00	5.38	0.00	0.00	4.57	0.00	0.00	503.63	353.88	910.00	-499.06	-353.88	-910.00
7+625 - 7+650	0.00	0.00	0.00	0.00	0.00	0.00	0.00	0.00	0.00	432.00	298.38	732.63	-432.00	-298.38	-732.63
7+650 - 7+675	0.00	0.00	0.00	0.00	0.00	0.00	0.00	0.00	0.00	325.75	231.25	573.88	-325.75	-231.25	-573.88
7+675 - 7+700	0.00	0.00	2.38	0.00	0.00	2.38	0.00	0.00	2.02	199.88	143.63	374.63	-199.88	-143.63	-372.61
7+700 - 7+725	11.63	2.88	13.88	11.63	2.88	13.88	9.88	2.44	11.79	73.25	57.75	210.88	-63.37	-55.31	-199.08
7+725 - 7+750	51.00	16.63	28.50	51.00	16.63	28.50	43.35	14.13	24.23	10.63	15.63	136.88	32.73	-1.49	-112.65
7+750 - 7+775	76.75	27.25	30.13	76.75	27.25	30.13	65.24	23.16	25.61	3.38	6.25	128.75	61.86	16.91	-103.14
7+775 - 7+800	53.75	19.00	18.00	53.75	19.00	18.00	45.69	16.15	15.30	13.50	12.00	180.25	32.19	4.15	-164.95
7+800 - 7+825	37.50	5.50	4.88	37.50	5.50	4.88	31.88	4.68	4.14	31.50	34.38	266.38	0.38	-29.70	-262.23
7+825 - 7+850	29.75	0.00	0.00	29.75	0.00	0.00	25.29	0.00	0.00	66.38	73.63	381.75	-41.09	-73.63	-381.75
7+850 - 7+875	22.88	0.00	0.00	22.88	0.00	0.00	19.44	0.00	0.00	125.00	125.38	520.00	-105.56	-125.38	-520.00
7+875 - 7+900	25.25	0.00	0.00	25.25	0.00	0.00	21.46	0.00	0.00	191.13	175.63	633.88	-169.66	-175.63	-633.88
7+900 - 7+925	18.63	0.00	0.00	18.63	0.00	0.00	15.83	0.00	0.00	242.63	217.38	703.63	-226.79	-217.38	-703.63
7+925 - 7+950	18.38	0.00	0.00	18.38	0.00	0.00	15.62	0.00	0.00	274.13	235.63	724.25	-258.51	-235.63	-724.25
STATE LINE SITE PLAN										214.00			-214.00		

PAY ITEM SUMMARY FOR ILLINOIS TOTAL				
	STAGE 1	STAGE 2	STAGE 3	TOTAL
EARTH EXCAVATION	499.50	71.25	463.50	1034.3
FURNISHED EXCAVATION	26521.23	13435.69	24383.27	64340.2

REVISIONS	
NAME	DATE

ILLINOIS DEPARTMENT OF TRANSPORTATION
I-80/94/US 6
KINGERY-BORMAN EXPRESSWAY
BURNHAM ROAD TO US 41
EARTHWORK SCHEDULE OF QUANTITIES

SCALE: _____ DATE: 07/05

DRAWN BY ACE/CAD
CHECKED BY TAE

AMERICAN
CONSULTING ENGINEERS

EARTHWORK SCHEDULE OF QUANTITIES

F.A.I. RTE.	SECTION	COUNTY	TOTAL SHEETS	SHEET NO.
80/94	2626.2-R-2	COOK/LAKE	1207	35
STA.		TO STA.		
FED. ROAD DIST. NO.		ILLINOIS	FED. AID PROJECT	
CONTRACT NO. 62114		INDOT DES. NO. 0100987		

STA. - STA. INDIANA	EXCAVATION COMMON (CU M)			TOTAL SUITABLE EXCAVATION (CU M)			EXCAVATION TO BE USED IN EMBANKMENT (ADJUSTED FOR SHRINKAGE 15%) (CU M)			EMBANKMENT (CU M)			EARTHWORK BALANCE WASTE (-) OR SHORTAGE (+) (CU M)		
	STAGE 1	STAGE 2	STAGE 3	STAGE 1	STAGE 2	STAGE 3	STAGE 1	STAGE 2	STAGE 3	STAGE 1	STAGE 2	STAGE 3	STAGE 1	STAGE 2	STAGE 3
	7+950 - 7+975	15.75	0.00	0.00	15.75	0.00	0.00	13.39	0.00	0.00	292.75	243.13	745.25	-279.36	-243.13
7+975 - 8+000	5.13	0.00	0.00	5.13	0.00	0.00	4.36	0.00	0.00	316.25	254.38	775.63	-311.89	-254.38	-775.63
8+000 - 8+025	0.13	0.00	0.00	0.13	0.00	0.00	0.11	0.00	0.00	342.38	262.13	778.25	-342.27	-262.13	-778.25
8+025 - 8+050	0.00	0.00	0.00	0.00	0.00	0.00	0.00	0.00	0.00	374.50	265.63	763.50	-374.50	-265.63	-763.50
8+050 - 8+075	0.00	0.00	0.00	0.00	0.00	0.00	0.00	0.00	0.00	410.63	262.88	734.50	-410.63	-262.88	-734.50
8+075 - 8+100	0.00	0.00	0.00	0.00	0.00	0.00	0.00	0.00	0.00	428.00	255.38	706.75	-428.00	-255.38	-706.75
8+100 - 8+125	0.00	0.00	0.00	0.00	0.00	0.00	0.00	0.00	0.00	436.88	241.25	675.75	-436.88	-241.25	-675.75
8+125 - 8+150	0.00	0.00	2.50	0.00	0.00	2.50	0.00	0.00	2.13	418.50	219.00	622.75	-418.50	-219.00	-620.63
8+150 - 8+175	0.00	0.00	2.50	0.00	0.00	2.50	0.00	0.00	2.13	358.96	181.46	572.38	-358.96	-181.46	-570.25
8+175 - 8+200	0.00	0.00	0.00	0.00	0.00	0.00	0.00	0.00	0.00	387.01	138.34	280.63	-387.01	-138.34	-280.63
8+200 - 8+225	0.00	0.00	0.00	0.00	0.00	0.00	0.00	0.00	0.00	225.30	59.38	0.00	-225.30	-59.38	0.00
8+225 - 8+250	0.00	0.00	0.00	0.00	0.00	0.00	0.00	0.00	0.00	0.00	0.00	227.75	0.00	0.00	-227.75
8+250 - 8+275	12.25	0.38	7.38	12.25	0.38	7.38	10.41	0.32	6.27	41.38	21.25	373.00	-30.96	-20.93	-366.73
8+275 - 8+300	24.50	3.75	16.13	24.50	3.75	16.13	20.83	3.19	13.71	77.88	38.50	275.13	-57.05	-35.31	-261.42
8+300 - 8+325	19.13	5.75	17.75	19.13	5.75	17.75	16.26	4.89	15.09	76.00	34.88	247.88	-59.74	-29.99	-232.79
8+325 - 8+350	7.50	4.00	21.63	7.50	4.00	21.63	6.38	3.40	18.38	103.13	37.25	239.38	-96.75	-33.85	-220.99
8+350 - 8+375	0.63	2.38	22.88	0.63	2.38	22.88	0.53	2.02	19.44	143.88	41.25	247.88	-143.34	-39.23	-228.43
8+375 - 8+400	0.00	0.75	21.50	0.00	0.75	21.50	0.00	0.64	18.28	180.13	43.75	237.75	-180.13	-43.11	-219.48
8+400 - 8+425	0.00	0.75	11.25	0.00	0.75	11.25	0.00	0.64	9.56	225.13	22.13	111.25	-225.13	-21.49	-101.69
8+425 - 8+450	0.00	0.75	0.00	0.00	0.75	0.00	0.00	0.64	0.00	125.25	0.00	0.00	-125.25	0.64	0.00
8+450 - 8+475	0.00	0.00	0.00	0.00	0.00	0.00	0.00	0.00	0.00	0.00	0.00	0.00	0.00	0.00	0.00
8+475 - 8+500	0.00	0.00	0.00	0.00	0.00	0.00	0.00	0.00	0.00	0.00	0.00	0.00	0.00	0.00	0.00
8+500 - 8+525	0.00	0.00	0.00	0.00	0.00	0.00	0.00	0.00	0.00	0.00	0.00	0.00	0.00	0.00	0.00
8+525 - 8+550	0.00	0.00	0.00	0.00	0.00	0.00	0.00	0.00	0.00	0.00	0.00	0.00	0.00	0.00	0.00
8+550 - 8+575	0.00	0.00	0.00	0.00	0.00	0.00	0.00	0.00	0.00	0.00	0.00	0.00	0.00	0.00	0.00
8+575 - 8+600	0.00	0.00	5.58	0.00	0.00	5.58	0.00	0.00	4.74	0.00	0.00	210.94	0.00	0.00	-206.20
8+600 - 8+625	0.00	0.00	10.83	0.00	0.00	10.83	0.00	0.00	9.20	244.00	84.25	458.19	-244.00	-84.25	-448.99
8+625 - 8+650	0.00	0.00	13.25	0.00	0.00	13.25	0.00	0.00	11.26	521.63	179.50	523.75	-521.63	-179.50	-512.49
8+650 - 8+675	0.00	0.00	16.25	0.00	0.00	16.25	0.00	0.00	13.81	569.13	197.50	566.25	-569.13	-197.50	-552.44
8+675 - 8+700	0.00	0.00	14.25	0.00	0.00	14.25	0.00	0.00	12.11	593.63	211.50	603.38	-593.63	-211.50	-591.26
8+700 - 8+725	0.00	0.00	10.75	0.00	0.00	10.75	0.00	0.00	9.14	625.00	230.88	648.50	-625.00	-230.88	-639.36
8+725 - 8+750	0.00	0.00	4.75	0.00	0.00	4.75	0.00	0.00	4.04	322.88	121.63	334.88	-322.88	-121.63	-330.84
8+750 - 8+775	0.00	0.00	4.56	0.00	0.00	4.56	0.00	0.00	3.88	0.00	163.56	393.90	0.00	-163.56	-390.02
8+775 - 8+800	0.00	0.00	18.81	0.00	0.00	18.81	0.00	0.00	15.99	317.75	306.31	772.65	-317.75	-306.31	-756.66
8+800 - 8+825	0.00	0.00	28.63	0.00	0.00	28.63	0.00	0.00	24.33	642.88	287.75	761.38	-642.88	-287.75	-737.04
8+825 - 8+850	0.00	0.00	31.38	0.00	0.00	31.38	0.00	0.00	26.67	664.88	294.00	766.00	-664.88	-294.00	-739.33
8+850 - 8+875	0.00	0.00	33.88	0.00	0.00	33.88	0.00	0.00	28.79	671.50	289.38	747.50	-671.50	-289.38	-718.71
8+875 - 8+900	0.00	0.00	18.00	0.00	0.00	18.00	0.00	0.00	15.30	633.00	264.13	689.88	-633.00	-264.13	-674.58
8+900 - 8+925	0.00	0.00	2.00	0.00	0.00	2.00	0.00	0.00	1.70	559.88	222.13	592.75	-559.88	-222.13	-591.05
8+925 - 8+950	0.00	0.00	0.88	0.00	0.00	0.88	0.00	0.00	0.74	478.50	174.38	476.13	-478.50	-174.38	-475.38
8+950 - 8+975	0.00	0.00	0.38	0.00	0.00	0.38	0.00	0.00	0.32	397.88	125.50	355.38	-397.88	-125.50	-355.06
8+975 - 9+000	0.00	1.25	4.38	0.00	1.25	4.38	0.00	1.06	3.72	315.63	73.50	224.13	-315.63	-72.44	-220.41
9+000 - 9+025	0.00	17.13	19.63	0.00	17.13	19.63	0.00	14.56	16.68	238.25	35.50	96.25	-238.25	-20.94	-79.57
9+025 - 9+050	0.00	44.50	82.75	0.00	44.50	82.75	0.00	37.83	70.34	164.63	14.75	23.63	-164.63	23.08	46.71
9+050 - 9+075	0.50	70.00	155.50	0.50	70.00	155.50	0.43	59.50	132.18	154.13	3.25	8.88	-153.70	56.25	123.30
9+075 - 9+100	4.38	95.13	201.88	4.38	95.13	201.88	3.72	80.86	171.59	153.13	0.00	5.13	-149.41	80.86	166.47

REVISIONS	
NAME	DATE

ILLINOIS DEPARTMENT OF TRANSPORTATION
I-80/94/US 6
KINGERY-BORMAN EXPRESSWAY
BURNHAM ROAD TO US 41
EARTHWORK SCHEDULE OF QUANTITIES

SCALE: _____ DATE: 07/05

DRAWN BY: ACE/CAD
CHECKED BY: TAE

AMERICAN
CONSULTING ENGINEERS

EARTHWORK SCHEDULE OF QUANTITIES

STA. - STA. INDIANA	EXCAVATION COMMON (CU M)			TOTAL SUITABLE EXCAVATION (CU M)			EXCAVATION TO BE USED IN EMBANKMENT (ADJUSTED FOR SHRINKAGE 15%) (CU M)			EMBANKMENT (CU M)			EARTHWORK BALANCE WASTE (-) OR SHORTAGE (+) (CU M)		
	STAGE 1	STAGE 2	STAGE 3	STAGE 1	STAGE 2	STAGE 3	STAGE 1	STAGE 2	STAGE 3	STAGE 1	STAGE 2	STAGE 3	STAGE 1	STAGE 2	STAGE 3
9+100 - 9+125	13.50	115.63	231.00	13.50	115.63	231.00	11.48	98.28	196.35	111.50	0.00	2.00	-100.03	98.28	194.35
9+125 - 9+150	53.75	128.50	295.13	53.75	128.50	295.13	45.69	109.23	250.86	71.25	0.00	0.63	-25.56	109.23	250.23
9+150 - 9+175	114.25	156.25	363.00	114.25	156.25	363.00	97.11	132.81	308.55	33.13	0.00	0.13	63.99	132.81	308.43
9+175 - 9+200	123.88	187.88	395.75	123.88	187.88	395.75	105.29	159.69	336.39	26.25	0.00	0.00	79.04	159.69	336.39
9+200 - 9+225	124.75	187.75	449.13	124.75	187.75	449.13	106.04	159.59	381.76	22.25	0.00	0.00	83.79	159.59	381.76
9+225 - 9+250	97.00	148.88	508.63	97.00	148.88	508.63	82.45	126.54	432.33	8.75	0.00	0.00	73.70	126.54	432.33
9+250 - 9+275	59.50	93.63	511.13	59.50	93.63	511.13	50.58	79.58	434.46	2.38	0.00	0.00	48.20	79.58	434.46
9+275 - 9+300	91.38	62.75	380.88	91.38	62.75	380.88	77.67	53.34	323.74	0.00	0.00	0.00	77.67	53.34	323.74
9+300 - 9+325	143.38	59.38	254.00	143.38	59.38	254.00	121.87	50.47	215.90	0.00	0.00	0.00	121.87	50.47	215.90
9+325 - 9+350	137.63	60.25	216.50	137.63	60.25	216.50	116.98	51.21	184.03	0.00	0.00	0.00	116.98	51.21	184.03
9+350 - 9+375	104.25	54.38	204.25	104.25	54.38	204.25	88.61	46.22	173.61	0.00	0.00	0.00	88.61	46.22	173.61
9+375 - 9+395	72.92	35.60	144.12	72.92	35.60	144.12	61.98	30.26	122.50	0.00	0.00	0.00	61.98	30.26	122.50

PAY ITEM SUMMARY FOR INDIANA TOTAL				
	STAGE 1	STAGE 2	STAGE 3	TOTAL
EXCAVATION COMMON (INDIANA)	1226.05	1537.35	4755.27	7518.7
BORROW (INDIANA)	12465.51	4594.56	13835.57	30895.6

REVISIONS	
NAME	DATE

ILLINOIS DEPARTMENT OF TRANSPORTATION
I-80/94/US 6
KINGERY-BORMAN EXPRESSWAY
BURNHAM ROAD TO US 41
EARTHWORK SCHEDULE OF QUANTITIES

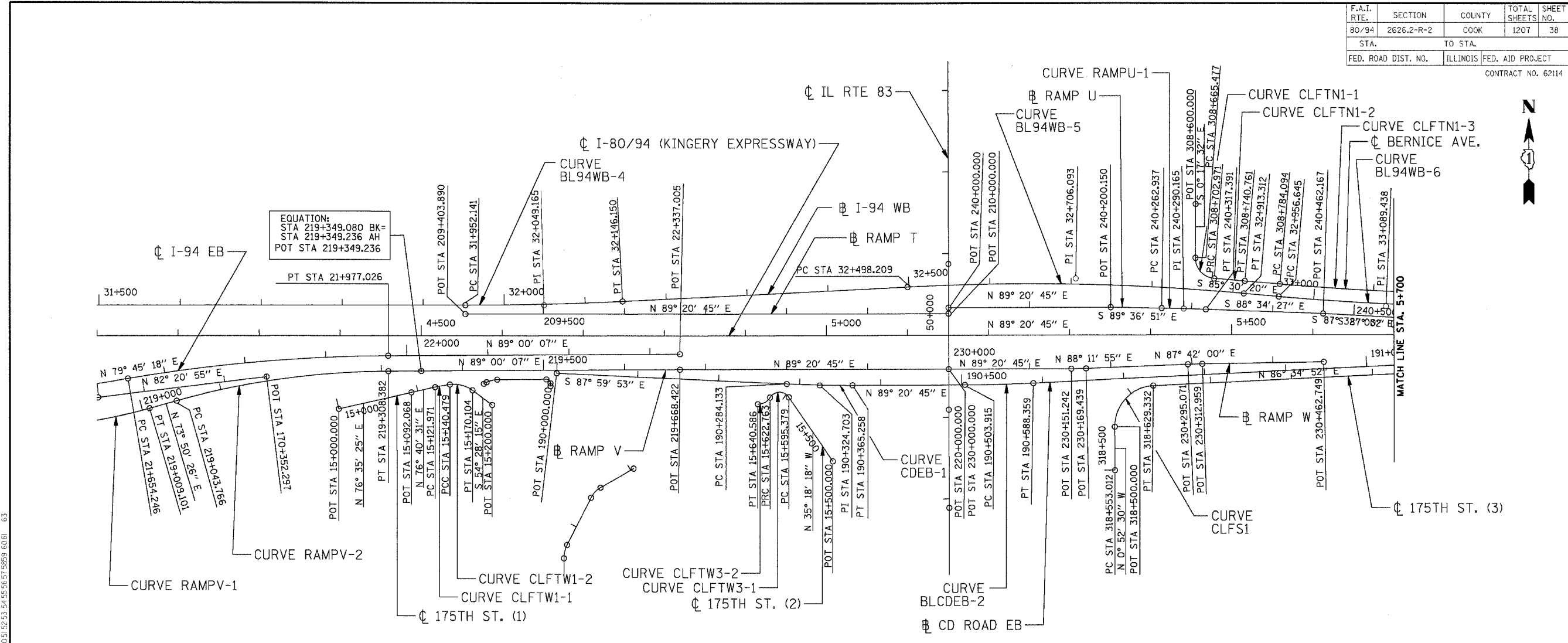
SCALE: _____ DATE: 07/05

DRAWN BY ACE/CAD
CHECKED BY TAE

AMERICAN
CONSULTING ENGINEERS

F.A.I. RTE.	SECTION	COUNTY	TOTAL SHEETS	SHEET NO.
80/94	2626.2-R-2	COOK	1207	38
STA.	TO STA.			
FED. ROAD DIST. NO.	ILLINOIS	FED. AID PROJECT		

CONTRACT NO. 62114

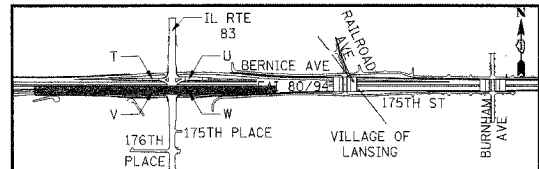


HANSENDO
 7-11-2005; 14:04:48
 T:\DOCUMENTS\131750\CIVIL\DRAWING\131750\131750-38.DWG
 12.3.4.5.6.7.8.9.10.11.12.13.14.15.16.17.18.19.20.21.22.23.24.25.26.27.28.29.30.31.32.33.34.35.36.37.38.39.40.41.42.43.44.45.46.47.48.49.50.51.52.53.54.55.56.57.58.59.60.61.62.63

I-94WB			I-94EB			175TH STREET (1)		175TH STREET (2)		175TH STREET (3)
CURVE BL94WB-4	CURVE BL94WB-5	CURVE BL94WB-6	CURVE CL94EB-3	CURVE CLFTW1-1	CURVE CLFTW1-2	CURVE CLFTW3-1	CURVE CLFTW3-2	CURVE CLFS1		
PI STA = 32+049.165 N = 545527.369 E = 364087.694 Δ = 2° 46' 44" (LT) R = 4,000.000 m T = 97.024 m L = 194.009 m E = 1.177 m	PI STA = 32+706.093 N = 545566.714 E = 364743.480 Δ = 7° 55' 40" (RT) R = 3,000.000 m T = 207.884 m L = 415.103 m E = 7.194 m	PI STA = 33+089.438 N = 545536.622 E = 365126.308 Δ = 5° 04' 08" (LT) R = 3,000.000 m T = 132.792 m L = 265.412 m E = 2.938 m	PI STA = 21+815.988 N = 545460.6774 E = 363734.212 Δ = 9° 14' 49.08" (RT) R = 2,000.000 m T = 161.741 m L = 322.780 m E = 6.529 m	PI STA = 15+131.232 N = 545427.735 E = 363963.194 Δ = 5° 24' 58" (RT) R = 195.800 m T = 9.261 m L = 18.508 m E = 0.219 m	PI STA = 15+156.048 N = 545431.188 E = 363987.782 Δ = 43° 31' 22" (RT) R = 39.000 m T = 15.568 m L = 29.625 m E = 2.993 m	PI STA = 15+616.163 N = 545435.352 E = 364378.616 Δ = 112° 04' 21" (LT) R = 14.000 m T = 20.784 m L = 27.384 m E = 11.060 m	PI STA = 15+632.482 N = 545409.662 E = 364362.172 Δ = 56° 43' 51" (RT) R = 18.000 m T = 9.719 m L = 17.823 m E = 2.456 m	PI STA = 318+600.840 N = 545433.655 E = 364792.409 Δ = 87° 27' 22" (RT) R = 50.000 m T = 47.828 m L = 76.320 m E = 19.192 m		
RAMP U		RAMP V		CD ROAD EB		BERNICE AVENUE				
CURVE BLRAMPU-1	CURVE BLRAMPV-1	CURVE BLRAMPV-2	CURVE BLCDEB-1	CURVE BLCDEB-2	CURVE CLFTN1-1	CURVE CLFTN1-2	CURVE CLFTN1-3			
PI STA = 240+290.165 N = 545531.145 E = 364876.938 Δ = 1° 02' 24" (RT) R = 3,000.000 m T = 27.228 m L = 54.454 m E = 0.124 m	PI STA = 218+857.928 N = 545351.814 E = 363451.193 Δ = 27° 10' 18.879" (LT) R = 650.000 m T = 157.083 m L = 308.255 m E = 18.711 m	PI STA = 219+176.852 N = 545442.219 E = 363763.193 Δ = 15° 09' 1.080" (RT) R = 1000.000 m T = 133.086 m L = 264.616 m E = 8.817 m	PI STA = 190+546.145 N = 545433.214 E = 364428.514 Δ = 2° 45' 53" (LT) R = 1,750.000 m T = 42.230 m L = 84.444 m E = 0.509 m	PI STA = 190+324.703 N = 545435.743 E = 364649.956 Δ = 2° 39' 22" (LT) R = 1,750.000 m T = 40.570 m L = 81.125 m E = 0.470 m	PI STA = 308+688.762 N = 545570.015 E = 364891.005 Δ = 85° 55' 53" (LT) R = 25.000 m T = 23.285 m L = 37.495 m E = 9.164 m	PI STA = 308+721.866 N = 545567.237 E = 364933.093 Δ = 0° 43' 05" (RT) R = 3,015.381 m T = 18.895 m L = 37.790 m E = 0.059 m	PI STA = 308+976.233 N = 545547.304 E = 365186.678 Δ = 7° 22' 01" (LT) R = 2,984.620 m T = 192.140 m L = 383.750 m E = 6.178 m			



7-11-2005
Exp. 11-30-2005
SHTS. 38-43



REVISIONS	
NAME	DATE

ILLINOIS DEPARTMENT OF TRANSPORTATION
 F.A.I. ROUTE 80/94 (KINGERY EXPRESSWAY)
 EB & WB INSIDE LANES (MAINLINE) CONSTRUCTION
 COOK COUNTY

**HORIZONTAL ALIGNMENT,
 TIES & BENCHMARKS**

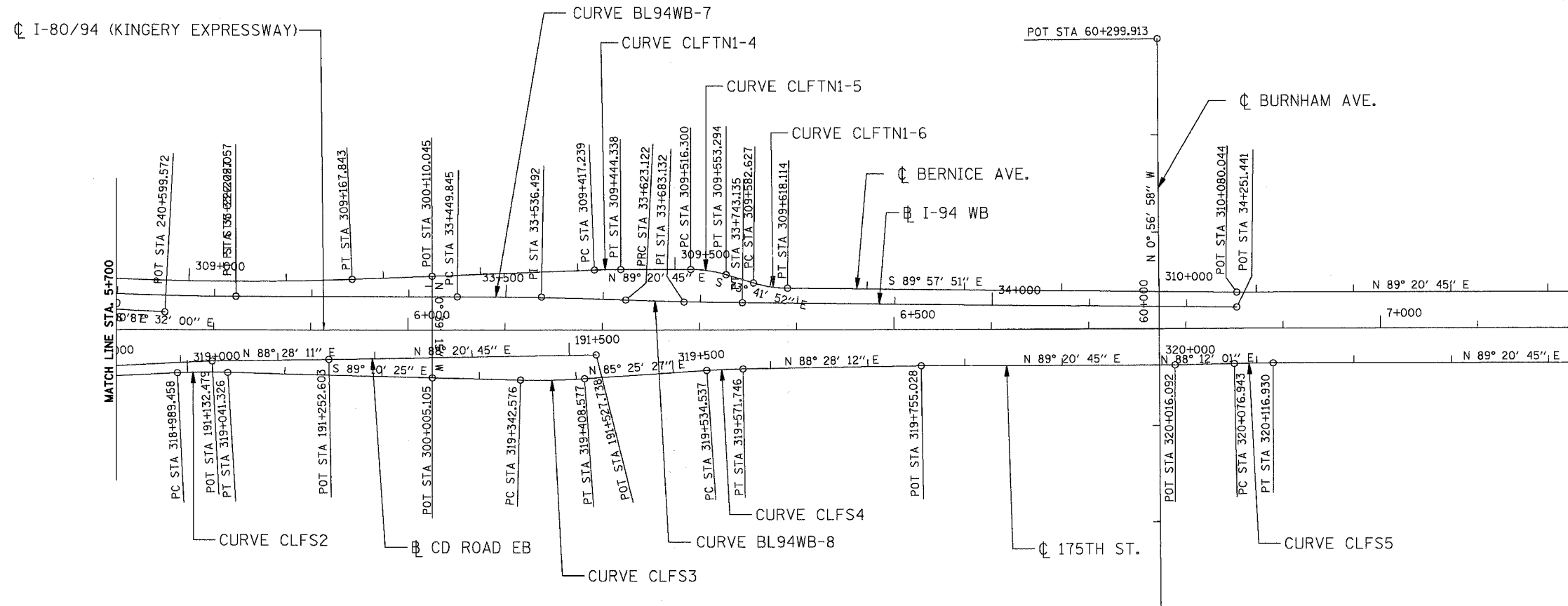
SCALE: 1:2500
 DATE: 7/18/2005

DRAWN BY: RJS
 CHECKED BY: DDH

TENG
 TENG & ASSOCIATES, INC.
 ENGINEERS/ARCHITECTS/PLANNERS
 CHICAGO, ILLINOIS

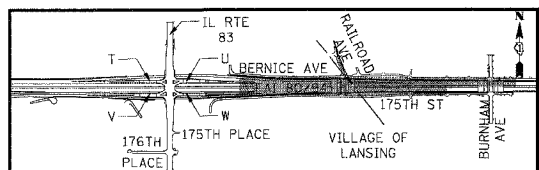
F.A.I. RTE.	SECTION	COUNTY	TOTAL SHEETS	SHEET NO.
80/94	2626.2-R-2	COOK	1207	39
STA.	TO STA.			
FED. ROAD DIST. NO.	ILLINOIS	FED. AID PROJECT		

CONTRACT NO. 62114



I-94WB		BERNICE AVENUE		
CURVE BL94WB-7	CURVE BL94WB-8	CURVE CLFTN1-4	CURVE CLFTN1-5	CURVE CLFTN1-6
PI STA = 33+536.492 N = 545541.106 E = 365573.513 Δ = 1° 59' 08" (RT) R = 5,000.000 m T = 86.648 m L = 173.278 m E = 0.751 m	PI STA = 33+683.132 N = 545537.494 E = 365720.126 Δ = 1° 22' 31" (LT) R = 4,999.982 m T = 60.009 m L = 120.013 m E = 0.360 m	PI STA = 309+430.790 N = 545570.108 E = 365641.193 Δ = 2° 13' 05" (RT) R = 700.000 m T = 13.551 m L = 27.100 m E = 0.131 m	PI STA = 309+534.933 N = 545571.298 E = 365745.332 Δ = 16° 57' 23" (RT) R = 125.000 m T = 18.633 m L = 36.993 m E = 1.381 m	PI STA = 309+600.491 N = 545552.819 E = 365808.516 Δ = 16° 15' 59" (LT) R = 125.000 m T = 17.864 m L = 35.488 m E = 1.270 m
175TH STREET				
CURVE CLFS2	CURVE CLFS3	CURVE CLFS4	CURVE CLFS5	
PI STA = 319+015.404 N = 545459.531 E = 365225.537 Δ = 4° 14' 43" (RT) R = 700.000 m T = 25.946 m L = 51.867 m E = 0.481 m	PI STA = 319+375.601 N = 545454.335 E = 365585.720 Δ = 5° 24' 08" (LT) R = 700.000 m T = 33.025 m L = 66.001 m E = 0.779 m	PI STA = 319+553.146 N = 545468.503 E = 365762.748 Δ = 3° 02' 44" (RT) R = 700.000 m T = 18.609 m L = 37.210 m E = 0.247 m	PI STA = 320+096.937 N = 545479.414 E = 366306.419 Δ = 1° 08' 44" (RT) R = 2,000.000 m T = 19.994 m L = 39.987 m E = 0.100 m	

\\HP002\2\ADON...M899002\ADON...NRI0002\ADON...XRI0002\ADON...
 7-1-2005: 3:30:56
 T:\DOCUMENTS\193150\AC\01\ADON\188002\ADON...
 2 3 4 5 6 7 8 9 10 11 12 13 14 15 16 17 18 19 20 21 22 23 24 25 26 27 28 29 30 31 32 33 34 35 36 37 38 39 40 41 42 43 44 45 46 47 48 49 50 51 52 53 54 55 56 57 58 59 60 61 62 63



REVISIONS	
NAME	DATE

ILLINOIS DEPARTMENT OF TRANSPORTATION
 F.A.I. ROUTE 80/94 (KINGERY EXPRESSWAY)
 EB & WB INSIDE LANES (MAINLINE) CONSTRUCTION
 COOK COUNTY

**HORIZONTAL ALIGNMENT,
 TIES & BENCHMARKS**

SCALE: 1:2500
 DATE: 7/18/2005

DRAWN BY: RJS
 CHECKED BY: DDH

TENG
 TENG & ASSOCIATES, INC.
 ENGINEERS/ARCHITECTS/PLANNERS
 CHICAGO, ILLINOIS

F.A.I. RTE.	SECTION	COUNTY	TOTAL SHEETS	SHEET NO.
80/94	2626.2-R-2	COOK	1207	40
STA.	TO STA.			
FED. ROAD DIST. NO.	ILLINOIS	FED. AID PROJECT		

CONTRACT NO. 62114

	NORTHING	EASTING	STATION	OFFSET
I-80				
POT I8003	545472.4038	362553.0756	3+116.526	0.000 m
POT I80-4	545521.0871	366816.5472	7+380.276	0.000 m
I-94 WB				
POT CL94WB-3	545520.5497	363490.6231	31+452.055	0.000 m
POT CL94WB-4	545526.2614	363990.6763	31+952.141	0.000 m
PI CL94WB-4	545527.3695	364087.6937	32+049.165	1.177 m RT
POT CL94WB-4	545533.1801	364184.5433	32+146.150	0.000 m
POT CL94WB-5	545554.2642	364535.9699	32+496.209	0.000 m
PI CL94WB-5	545566.7139	364743.4803	32+706.093	7.194 m LT
POT CL94WB-5	545550.4235	364950.7245	32+913.312	0.000 m
POT CL94WB-6	545547.0278	364993.9243	32+956.645	0.000 m
PI CL94WB-6	545536.6217	365126.3083	33+089.438	2.938 m RT
POT CL94WB-6	545537.9531	365259.0941	33+222.057	0.000 m
POT CL94WB-7	545540.2370	365486.8702	33+449.845	0.000 m
PI CL94WB-7	545541.1058	365573.5134	33+536.492	0.751 m LT
POT CL94WB-7	545538.9720	365660.1347	33+623.122	0.000 m
POT CL94WB-8	545538.9720	365660.1347	33+623.122	0.000 m
PI CL94WB-8	545537.4942	365720.1258	33+683.132	0.360 m RT
POT CL94WB-8	545537.4566	365780.1350	33+743.135	0.000 m
POE CL94WB	545537.1383	366288.4408	24+251.441	0.000 m
CD EB ROAD				
POT BLCDEB1	545444.5568	364104.0091	190+000.000	0.000 m
POT BLCDEB-1	545434.6316	364387.9686	190+284.133	0.000 m
PI BLCDEB-1	545433.2144	364428.5135	190+324.703	0.470 m RT
POT BLCDEB-1	545433.6776	364469.0806	190+365.258	0.000 m
POT BLCDEB-2	545435.2608	364607.7285	190+503.915	0.000 m
PI BLCDEB-2	545435.7430	364649.9561	190+546.145	0.510 m RT
POT BLCDEB-2	545438.2615	364692.1112	190+588.359	0.000 m
POT BLCDEB2	545470.7110	365235.2627	191+132.479	0.000 m
POT BLCDEB3	545473.9190	365355.3440	191+252.603	0.000 m
POE BLCDEB	545481.8608	365630.3641	191+527.738	0.000 m
RAMP T				
POT BLRAMP1	545515.4630	363990.7997	209+403.890	0.000 m
POT BLRAMP2	545522.2694	364586.8708	210+000.000	0.000 m
RAMP U				
POT BLRAMP1U1	545529.4656	364586.7886	240+000.000	0.000 m
POT BLRAMP2	545531.7509	364786.9255	240+200.150	0.000 m
POT BLRAMPU-1	545531.3282	364849.7110	240+262.937	0.000 m
PI BLRAMPU-1	545531.1449	364876.9383	240+290.165	0.124 m LT
POT BLRAMPU-1	545530.4674	364904.1578	240+317.391	0.000 m
POT BLRAMP3	545526.8651	365048.8884	240+462.167	0.000 m
POT BLRAMP4	545520.9515	365186.1667	240+599.572	0.000 m
RAMP V				
POT BLRAMPV4	545445.2468	363936.9496	219+349.236	0.000 m
POT BLRAMPV2	545450.8070	364256.0868	219+668.422	0.000 m
POT BLRAMPV3	545454.5930	364587.6435	220+000.000	0.000 m
RAMP W				
POT BLRAMPW1	545454.5930	364587.6435	230+000.000	0.000 m
POT BLRAMPW2	545456.3198	364738.8755	230+151.242	0.000 m
POT BLRAMPW3	545456.8919	364757.0638	230+169.439	0.000 m
POT BLRAMPW4	545463.3480	364882.5295	230+295.071	0.000 m
POT BLRAMPW5	545464.0659	364900.4032	230+312.959	0.000 m
BERNICE AVE				
PC CLFTNI-1	545593.300	364890.886	308+665.477	0.000 m
PI CLFTNI-1	545570.015	364891.005	308+688.762	9.164 m RT
PT CLFTNI-1	545568.481	364914.239	308+702.971	0.000 m
PC CLFTNI-2	545568.481	364914.239	308+702.971	0.000 m
PI CLFTNI-2	545567.237	364933.093	308+721.866	0.059 m LT
PT CLFTNI-2	545565.756	364951.930	308+740.761	0.000 m
PC CLFTNI-3	545562.360	364995.130	308+784.094	0.000 m
PI CLFTNI-3	545547.304	365186.678	308+976.233	6.178 m RT
PT CLFTNI-3	545556.932	365378.576	309+167.843	0.000 m
PC CLFTNI-4	545569.429	365627.658	309+417.239	0.000 m
PI CLFTNI-4	545570.108	365641.193	309+430.790	0.131 m LT
PT CLFTNI-4	545570.263	365654.743	309+444.338	0.000 m
PC CLFTNI-5	545571.085	365726.701	309+516.300	0.000 m
PI CLFTNI-5	545571.298	365745.332	309+534.933	1.381 m LT
PT CLFTNI-5	545566.067	365763.216	309+553.294	0.000 m
PC CLFTNI-6	545557.833	365791.370	309+582.627	0.000 m
PI CLFTNI-6	545552.819	365808.516	309+600.491	1.270 m RT
PT CLFTNI-6	545552.808	365826.380	309+618.114	0.000 m
175TH STREET				
PC CLFS1	545385.833	364793.139	318+553.012	0.000 m
PI CLFS1	545433.655	364792.409	318+600.840	19.192 m LT
PT CLFS1	545436.507	364840.152	318+629.332	0.000 m
PC CLFS2	545457.984	365199.638	318+989.458	0.000 m
PI CLFS2	545459.531	365225.537	319+015.404	0.481 m LT
PT CLFS2	545459.157	365251.480	319+041.326	0.000 m
PC CLFS3	545454.811	365552.698	319+342.576	0.000 m
PI CLFS3	545454.335	365585.720	319+375.601	0.779 m RT
PT CLFS3	545456.970	365618.640	319+408.577	0.000 m
PC CLFS4	545467.018	365744.198	319+534.537	0.000 m
PI CLFS4	545468.503	365762.748	319+553.146	0.247 m LT
PT CLFS4	545469.000	365781.351	319+571.746	0.000 m
PC CLFS5	545478.786	366286.435	320+076.943	0.000 m
PI CLFS5	545479.414	366306.419	320+096.937	0.100 m LT
PT CLFS5	545479.642	366326.412	320+116.930	0.000 m
BURNHAM AVE				
CLBURN1	545,014.22	366,217.19	59+500.000	0.000 m
CLBURN2	545,814.02	366,203.93	60+299.913	0.000 m
RAILROAD AVE				
CLRR11	545,456.12	365,461.93	300+005.105	0.000 m
CLRR12	545,561.05	365,460.73	300+110.045	0.000 m

ACE BENCHMARKS
SOUTH SIDE OF I-80

- B.M. 2E SQUARE CUT IN CENTER OF HEADWALL BOX CULVERT BETWEEN IL 394 AND TORRENCE AVENUE, SOUTH SIDE OF I-80. ELEV = 181.854
- B.M. 3E RAILROAD SPIKE IN POWER POLE JUST EAST OF TRANSMISSION TOWERS, SOUTH SIDE OF I-80 BY SOUTHBOUND TORRENCE AVENUE EXIT RAMP. ELEV = 183.127
- B.M. 4E SQUARE CUT ON SOUTH SIDE OF BILL LIGHT POLE, LOCATION AT SOUTH WEST QUADRANT OF TORRENCE AND I-80. ELEV = 182.719
- B.M. 5E SQUARE CUT IN SOUTHEAST CORNER OF THE SOUTHWEST CRASHWALL OF I-80 BRIDGE OVER RAILROAD. ELEV = 192.219
- B.M. 6E SQUARE CUT IN NORTHWEST CORNER OF THE SOUTHWEST HANDRAIL (J-WALL) AT THE SOUTHWEST ABUTMENT OF I-80 OF I-80 BRIDGE OVER BURNHAM AVENUE. ELEV = 187.309
- B.M.M FOUND SQUARE CUT IN SOUTHWEST WINGWALL OF TORRENCE AVENUE BRIDGE OVER I-80. ELEV = 188.209
- T.B.M. 202 CHISELED 'X' ON NORTHWEST BOLT OF FIRE HYDRANT LOCATED ON THE SOUTHEAST CORNER OF 175TH AND PAXTON AVENUE. ELEV = 183.883
- T.B.M. 230 CHISELED BOX ON NORTHWEST CORNER OF CONCRETE PAD OF ILLINOIS DEPARTMENT OF TRANSPORTATION CONTROL BOX LOCATED ON EAST SIDE OF TORRENCE AVENUE +/- 25m NORTH OF 176TH PLACE. ELEV = 183.582

NORTH SIDE OF I-80

- T.B.M. 107 SET CUT BOX NW CORNER OF NW WINGWALL OVER BURNHAM AVENUE WESTBOUND I-80 ACROSS FROM MILE MARKER 162.85; LIGHT POLE AB4. ELEV = 187.315
- T.B.M. 108 SET CHISELED "X" ON SE BOLT OF SIGN FOUNDATION AT APPROXIMATELY MILE MARKER 162.63; AA7 LIGHT POLE; DESCRIPTION 1.5 NORTH OF GUARDRAIL. ELEV = 186.650
- T.B.M. 109 SET CUT BOX ON NE WINGWALL OF RAILROAD BRIDGE, WESTBOUND I-80, APPROXIMATELY MILE MARKER 162.39. ELEV = 192.295
- T.B.M. 110 SET CUT BOX ON NW WINGWALL OF RAILROAD BRIDGE, WESTBOUND I-80, APPROXIMATELY MILE MARKER 162.25 ELEV = 192.109
- T.B.M. 111 SET CUT BOX ON BARRIER WALL, WESTBOUND I-80 +/- 3m SOUTH OF OVERHEAD SIGN TRUSS FOUNDATION (B2); READS "TORRENCE AVENUE ALL EXITS"; +/- 80m EAST OF MILE MARKER 162.01 ELEV = 184.733
- T.B.M. 113 SET CUT BOX ON SE CORNER OF LIGHT POLE FOUNDATION (BCH3), WESTBOUND I-80 JUST SOUTH OF CHAIN LINK FENCE. ELEV = 183.182

NOTE:

ACE = AMERICAN CONSULTING ENGINEERS, L.L.C

REVISIONS	
NAME	DATE

ILLINOIS DEPARTMENT OF TRANSPORTATION
F.A.I. ROUTE 80/94 (KINGERY EXPRESSWAY)
EB & WB INSIDE LANES (MAINLINE) CONSTRUCTION
COOK COUNTY

TIES & BENCHMARKS

SCALE:
DATE: 7/18/2005

DRAWN BY: RJS
CHECKED BY: DDH

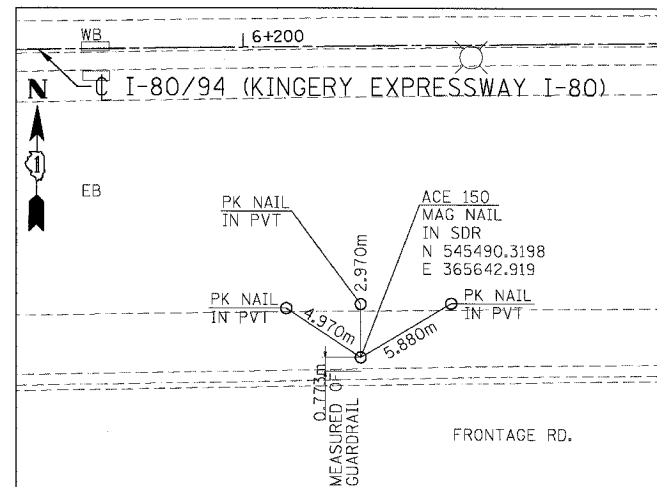
TENG

TENG & ASSOCIATES, INC.
ENGINEERS/ARCHITECTS/PLANNERS
CHICAGO, ILLINOIS

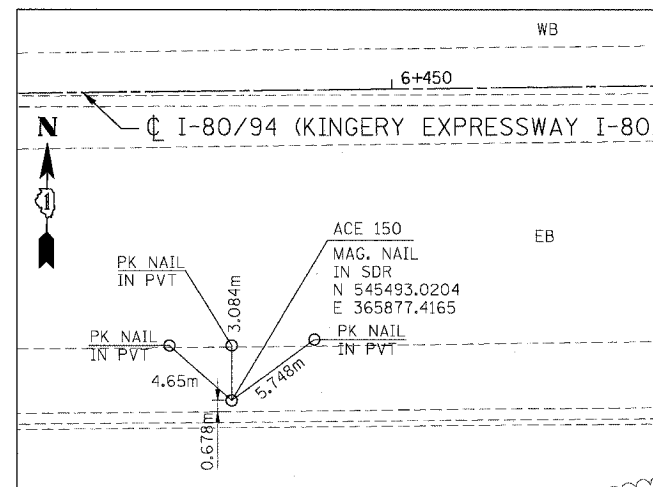
N:\TBR02A.DGN, N:\TBR02A.DGN, N:\AS99002A.DGN, N:\AS99002A.DGN
 7/18/2005, 03:05:58 T:\DOCUMENT\N\817575.DWG, CIVIL, NOKA, TBR00062A.DGN
 12 3 4 5 6 7 8 9 10 11 12 13 14 15 16 17 18 19 20 21 22 23 24 25 26 27 28 29 30 31 32 33 34 35 36 37 38 39 40 41 42 43 44 45 46 47 48 49 50 51 52 53 54 55 56 57 58 59 60 61 62 63

F.A.I. RTE.	SECTION	COUNTY	TOTAL SHEETS	SHEET NO.
80/94	2626.2-R-2	COOK	1207	41
STA.		TO STA.		
FED. ROAD DIST. NO.		ILLINOIS FED. AID PROJECT		
CONTRACT NO. 62114				

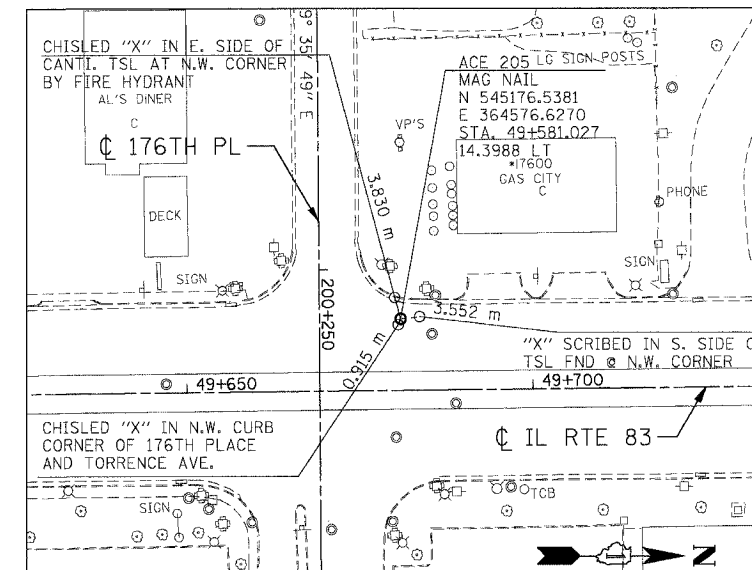
REFERENCE TIES TO ACE 150



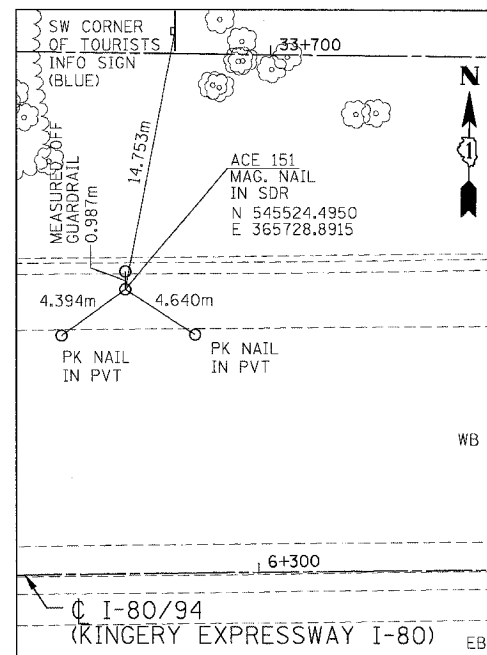
REFERENCE TIES TO ACE 152



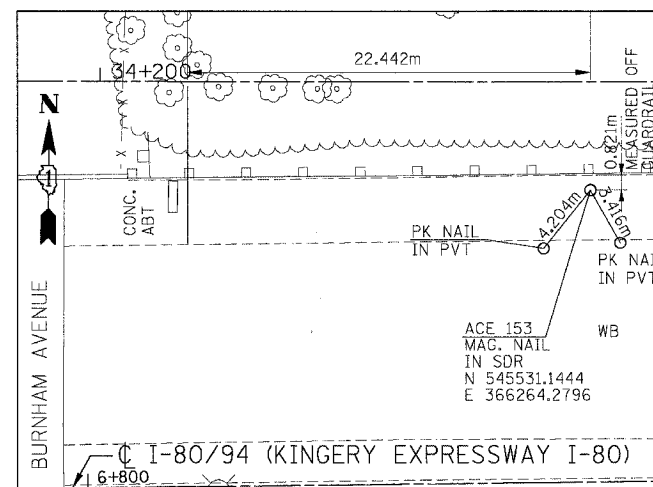
REFERENCE TIES TO ACE 205



REFERENCE TIES TO ACE 151



REFERENCE TIES TO ACE 153



NOTE:
ACE = AMERICAN CONSULTING ENGINEERS, L.L.C.

REVISIONS	
NAME	DATE

ILLINOIS DEPARTMENT OF TRANSPORTATION
F.A.I. ROUTE 80/94 (KINGERY EXPRESSWAY)
EB & WB INSIDE LANES (MAINLINE) CONSTRUCTION
COOK COUNTY

ALIGNMENT TIES

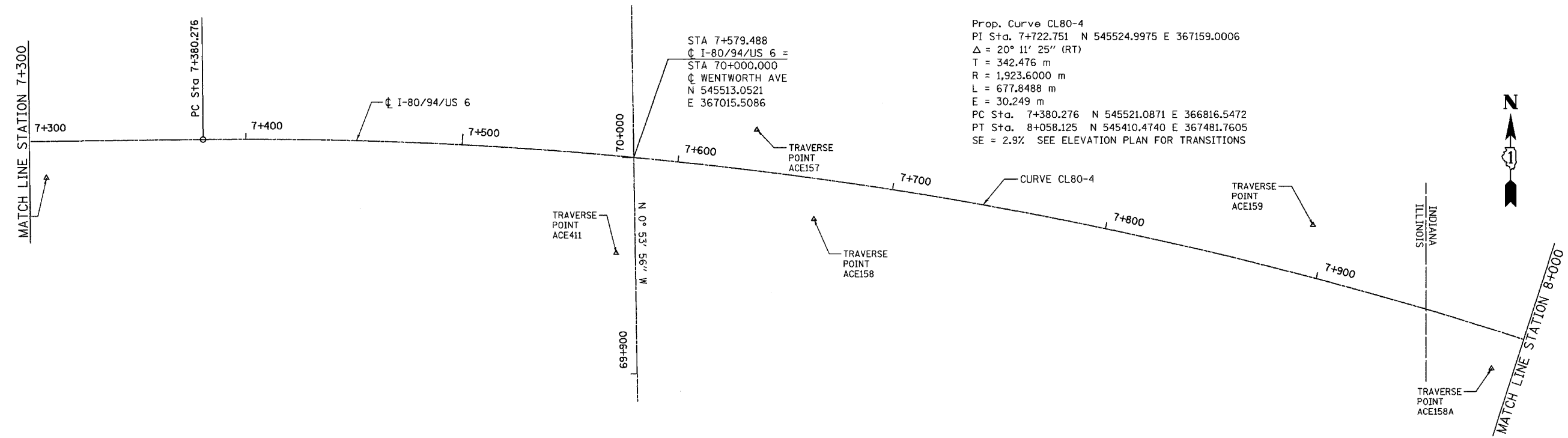
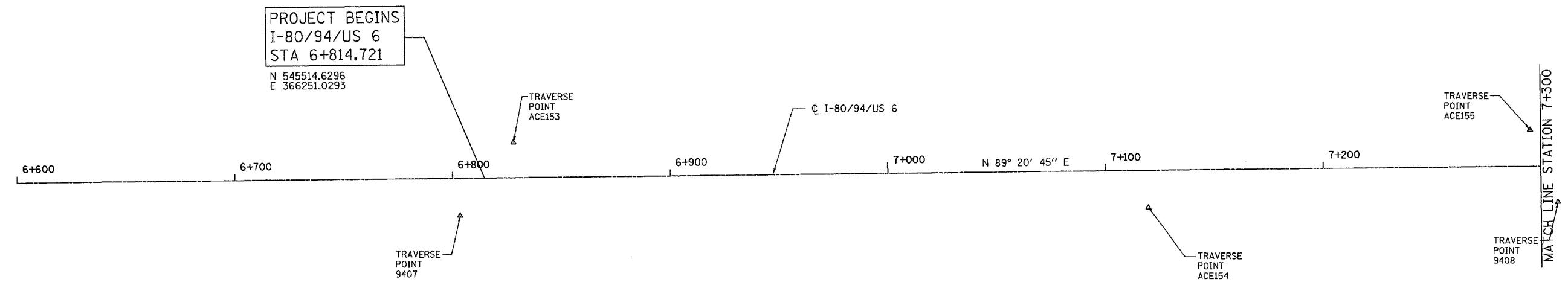
SCALE: DATE: 7/18/2005
DRAWN BY: RJS
CHECKED BY: DDH

TENG
TENGG & ASSOCIATES, INC.
ENGINEERS/ARCHITECTS/PLANNERS
CHICAGO, ILLINOIS

\\FRS9002A.DGN, \\FRS90007A.DGN, \\FRS90002A.DGN, \\FRS90003A.DGN, \\FRS90004A.DGN, \\FRS90005A.DGN, \\FRS90006A.DGN, \\FRS90007A.DGN, \\FRS90008A.DGN, \\FRS90009A.DGN, \\FRS90010A.DGN, \\FRS90011A.DGN, \\FRS90012A.DGN, \\FRS90013A.DGN, \\FRS90014A.DGN, \\FRS90015A.DGN, \\FRS90016A.DGN, \\FRS90017A.DGN, \\FRS90018A.DGN, \\FRS90019A.DGN, \\FRS90020A.DGN, \\FRS90021A.DGN, \\FRS90022A.DGN, \\FRS90023A.DGN, \\FRS90024A.DGN, \\FRS90025A.DGN, \\FRS90026A.DGN, \\FRS90027A.DGN, \\FRS90028A.DGN, \\FRS90029A.DGN, \\FRS90030A.DGN, \\FRS90031A.DGN, \\FRS90032A.DGN, \\FRS90033A.DGN, \\FRS90034A.DGN, \\FRS90035A.DGN, \\FRS90036A.DGN, \\FRS90037A.DGN, \\FRS90038A.DGN, \\FRS90039A.DGN, \\FRS90040A.DGN, \\FRS90041A.DGN, \\FRS90042A.DGN, \\FRS90043A.DGN, \\FRS90044A.DGN, \\FRS90045A.DGN, \\FRS90046A.DGN, \\FRS90047A.DGN, \\FRS90048A.DGN, \\FRS90049A.DGN, \\FRS90050A.DGN, \\FRS90051A.DGN, \\FRS90052A.DGN, \\FRS90053A.DGN, \\FRS90054A.DGN, \\FRS90055A.DGN, \\FRS90056A.DGN, \\FRS90057A.DGN, \\FRS90058A.DGN, \\FRS90059A.DGN, \\FRS90060A.DGN

ALL DIMENSIONS IN METERS EXCEPT PAVEMENT ITEMS AND UNLESS NOTED OTHERWISE

F.A.I. RTE.	SECTION	COUNTY	TOTAL SHEETS	SHEET NO.
80/94	2626.2-R-2	COOK/LAKE	1207	44
STA.		TO STA.		
FED. ROAD DIST. NO.		ILLINOIS	FED. AID PROJECT	
CONTRACT NO. 62114		INDOT DES. NO. 0100987		



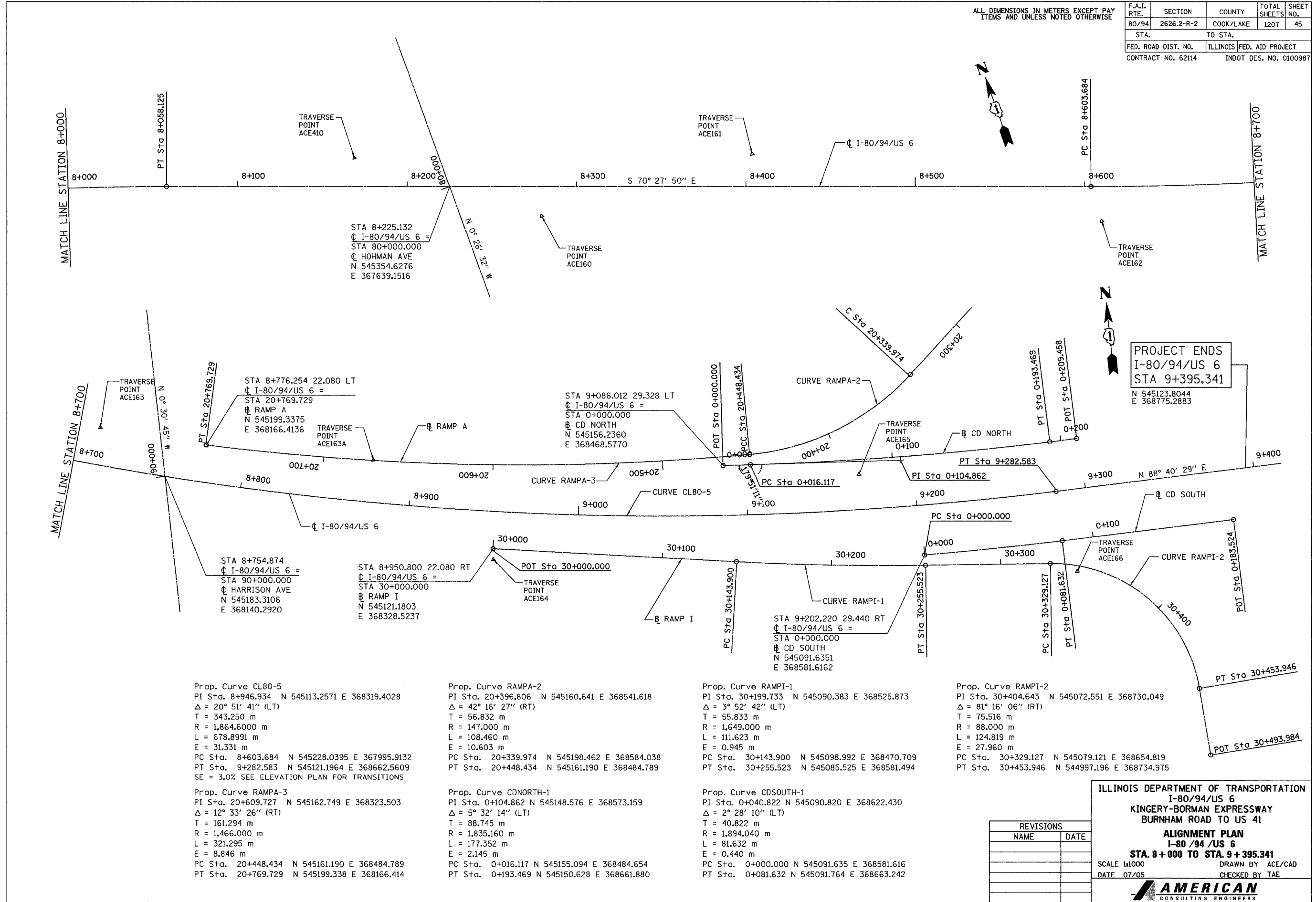
REVISIONS	
NAME	DATE

ILLINOIS DEPARTMENT OF TRANSPORTATION
 I-80/94/US 6
 KINGERY-BORMAN EXPRESSWAY
 BURNHAM ROAD TO US 41
ALIGNMENT PLAN
 I-80 /94 /US 6
STA. 6 + 850 TO STA. 8 + 000
 SCALE 1:1000 DRAWN BY ACE/CAD
 DATE 07/05 CHECKED BY TAE

I:\projects\11800114.dwg 06/07/05 03:16:08 PM

ALL DIMENSIONS IN METERS EXCEPT PAY ITEMS AND UNLESS NOTED OTHERWISE

F.A.I. RTE.	SECTION	COUNTY	TOTAL SHEETS	SHEET NO.
80/94	2626.2-R-2	COOK/LAKE	1207	45
STA.	TO STA.			
FED. ROAD DIST. NO.	ILLINOIS	FED. AID PROJECT		
CONTRACT NO. 62114	INDOT DES. NO. 0100987			



PROJECT ENDS
I-80/94/US 6
STA 9+395.341
 N 545123.8044
 E 368775.2883

Prop. Curve CL80-5
 PI Sta. 8+946.934 N 545113.2571 E 368319.4028
 $\Delta = 20^\circ 51' 41''$ (LT)
 T = 343.250 m
 R = 1,864.6000 m
 L = 678.8991 m
 E = 31.331 m
 PC Sta. 8+603.684 N 545228.0395 E 367995.9132
 PT Sta. 9+282.583 N 545121.1964 E 368662.5609
 SE = 3.0% SEE ELEVATION PLAN FOR TRANSITIONS

Prop. Curve RAMP A-3
 PI Sta. 20+609.727 N 545162.749 E 368323.503
 $\Delta = 12^\circ 33' 26''$ (RT)
 T = 161.294 m
 R = 1,466.000 m
 L = 321.295 m
 E = 8.846 m
 PC Sta. 20+448.434 N 545161.190 E 368484.789
 PT Sta. 20+769.729 N 545199.338 E 368166.414

Prop. Curve RAMP A-2
 PI Sta. 20+396.806 N 545160.641 E 368541.618
 $\Delta = 42^\circ 16' 27''$ (RT)
 T = 56.832 m
 R = 147.000 m
 L = 108.460 m
 E = 10.603 m
 PC Sta. 20+339.974 N 545198.462 E 368584.038
 PT Sta. 20+448.434 N 545161.190 E 368484.789

Prop. Curve CDNORTH-1
 PI Sta. 0+104.862 N 545148.576 E 368573.159
 $\Delta = 5^\circ 32' 14''$ (LT)
 T = 88.745 m
 R = 1,835.160 m
 L = 177.352 m
 E = 2.145 m
 PC Sta. 0+016.117 N 545155.094 E 368484.654
 PT Sta. 0+193.469 N 545150.628 E 368661.880

Prop. Curve RAMP I-1
 PI Sta. 30+199.733 N 545090.383 E 368525.873
 $\Delta = 3^\circ 52' 42''$ (LT)
 T = 55.832 m
 R = 1,649.000 m
 L = 111.623 m
 E = 0.945 m
 PC Sta. 30+143.900 N 545098.992 E 368470.709
 PT Sta. 30+255.523 N 545085.525 E 368581.494

Prop. Curve CDSOUTH-1
 PI Sta. 0+040.822 N 545090.820 E 368622.430
 $\Delta = 2^\circ 28' 10''$ (LT)
 T = 40.822 m
 R = 1,894.040 m
 L = 81.632 m
 E = 0.440 m
 PC Sta. 0+000.000 N 545091.635 E 368581.616
 PT Sta. 0+081.632 N 545091.764 E 368663.242

Prop. Curve RAMP I-2
 PI Sta. 30+404.643 N 545072.551 E 368730.049
 $\Delta = 81^\circ 16' 06''$ (RT)
 T = 75.516 m
 R = 88.000 m
 L = 124.819 m
 E = 27.960 m
 PC Sta. 30+329.127 N 545079.121 E 368654.819
 PT Sta. 30+453.946 N 544997.196 E 368734.975

REVISIONS	
NAME	DATE

ILLINOIS DEPARTMENT OF TRANSPORTATION
 I-80/94/US 6
 KINGERY-BORMAN EXPRESSWAY
 BURNHAM ROAD TO US 41
ALIGNMENT PLAN
 I-80 /94 /US 6
STA. 8+000 TO STA. 9+395.341
 SCALE 1:1000 DRAWN BY ACE/CAD
 DATE 07/05 CHECKED BY TAE

AMERICAN
 CONSULTING ENGINEERS

ALL DIMENSIONS IN METERS EXCEPT PA
ITEMS AND UNLESS NOTED OTHERWISE

F.A.I. RTE.	SECTION	COUNTY	TOTAL SHEETS	SHEET NO.
80/94	2626.2-R-2	COOK/LAKE	1207	46
STA.	TO STA.			
FED. ROAD DIST. NO.	ILLINOIS	FED. AID PROJECT		
CONTRACT NO. 62114	INDOT DES. NO. 0100987			

BM* 6E SQUARE CUT IN NORTHWEST CORNER OF SOUTHWEST HANDRAIL (J-WALL) AT THE SOUTHWEST ABUTMENT OF I-80 BRIDGE OVER BURNHAM AVENUE. STATION 6+741.2 OFFSET 18.0 RT ELEVATION = 187.309

TBM* 101 SET CUT BOX TOP OF BARRIER WALL ON WESTBOUND I-80. NORTHWEST CORNER OF WALL AT EMERGENCY ACCESS (JACKSON AVENUE), 421.3M WEST OF TBM 100, MILE MARKER 0.6. STATION 8+927.1 OFFSET 28.4 LT ELEVATION = 183.680

TBM* 102 SET CUT BOX AT NORTHEAST CORNER OF NORTHEAST WINGWALL OVER LITTLE CALUMET RIVER BRIDGE, WESTBOUND I-80 MILE MARKER 0.4. STATION 8+587.3 OFFSET 22.4 LT ELEVATION = 191.619

TBM* 103 SET CUT BOX AT SOUTHWEST CORNER OF NORTHWEST WINGWALL OVER LITTLE CALUMET RIVER BRIDGE, WESTBOUND I-80 +/- 70M EAST OF MILE MARKER 0.2. STATION 8+407.2 OFFSET 20.6 LT ELEVATION = 191.662

TBM* 106 CHISELED X ON SIGN BOLT (SOUTHWEST). SIGN READS "CALUMET CITY LANSING EXIT 161" WESTBOUND I-80 ACROSS FROM MILE MARKER 163.01; LIGHT POLE *AD3. STATION 7+145.5 OFFSET 20.0 LT ELEVATION = 182.212

TBM* 208 CHISELED BOX ON SOUTHEAST CORNER OF CONCRETE BASE OF ILLINOIS DEPARTMENT OF TRANSPORTATION SYSTEM CONTROL BOX, LOCATED SOUTH SIDE OF I-80 +/- 200M WEST OF WENTWORTH AVENUE. STATION 7+427.8 OFFSET 28.4 RT ELEVATION = 182.074

TBM* 209 CHISELED SQUARE IN TOP OF CONCRETE BARRIER WALL ± 1.2 M EAST OF THE WEST END AND AT THE WEST END OF THE SOUTH PIER OF WENTWORTH AVE BRIDGE OVER I-80. ELEVATION = 181.597

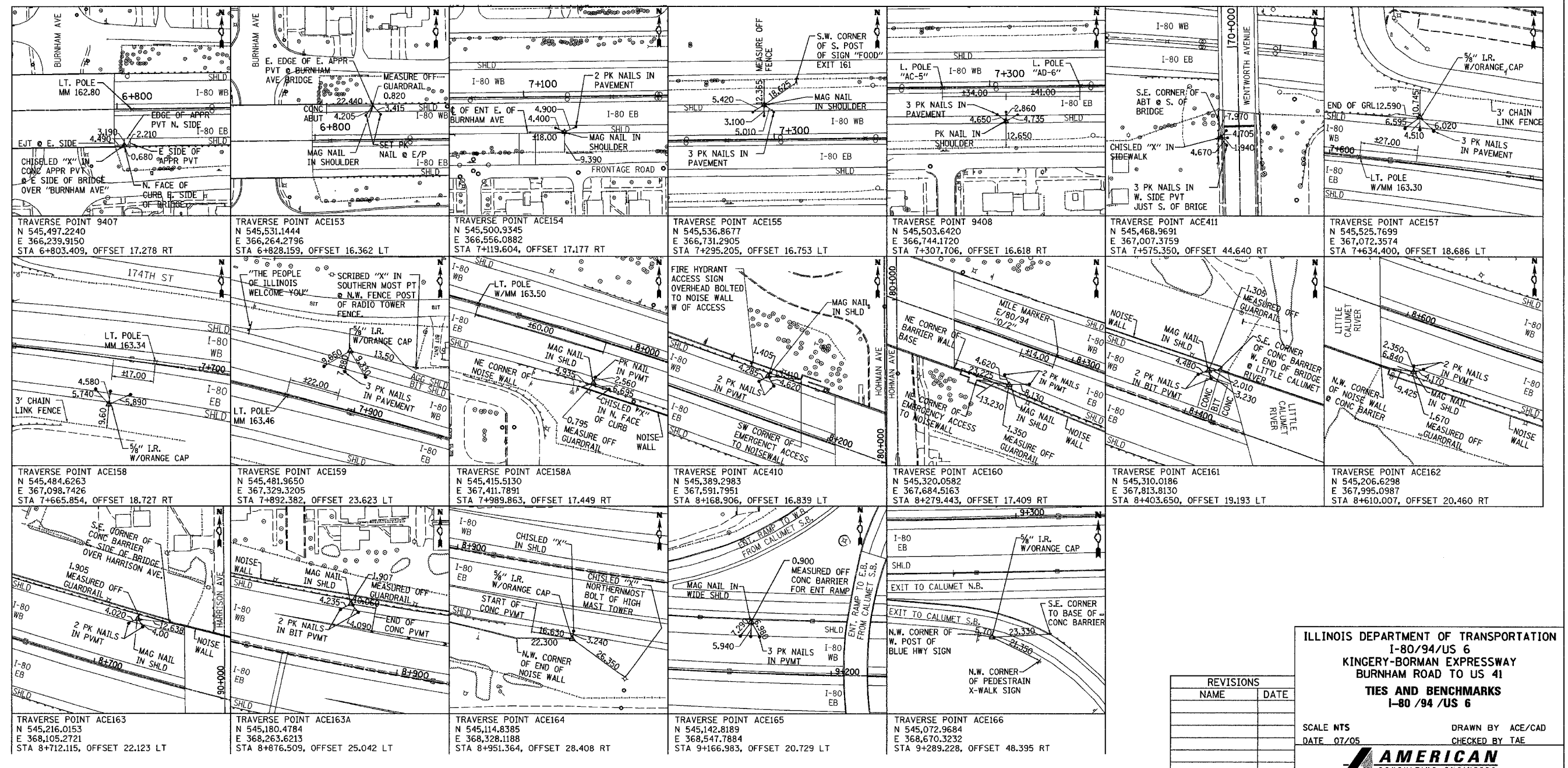
TBM* 210 CHISELED BOX ON SOUTH FACE OF METAL BASE OF LIGHT POLE *AC12 ON CENTER OF JERSEY WALL +/- 200 M EAST OF WENTWORTH AVENUE. STATION 7+809.5 OFFSET 0.0 ELEVATION = 183.748

TBM* 211 CHISELED SQUARE IN NORTHEAST CORNER OF CONCRETE RETAINING WALL FOUNDATION ± 50 M EAST OF THE ILLINOIS/INDIANA STATE LINE SOUTH SIDE EASTBOUND I-80. ELEVATION = 182.386

TBM* 212 CHISELED SQUARE IN NORTHEAST CORNER OF THE SOUTHEAST WINGWALL EASTBOUND I-80 BRIDGE OVER HOHMAN AVE. ELEVATION = 189.171

TBM* 213 CHISELED SQUARE IN NORTHEAST CORNER OF THE SOUTHEAST WINGWALL EASTBOUND I-80 BRIDGE OVER THE LITTLE CALUMET RIVER. ELEVATION = 191.392

TBM* 214 CHISELED SQUARE IN NORTHWEST CORNER AT THE WEST END OF THE CONCRETE BARRIER WALL AT THE EAST END OF THE IMPACT ATTENUATOR SYSTEM ± 14 M WEST OF THE "HAMMOND/MUNSTER" SIGN SOUTH SIDE OF EASTBOUND I-80 EXIT RAMP TO CALUMET AVE. ELEVATION = 182.891



ILLINOIS DEPARTMENT OF TRANSPORTATION
I-80/94/US 6
KINGERY-BORMAN EXPRESSWAY
BURNHAM ROAD TO US 41
TIES AND BENCHMARKS
I-80 /94 /US 6

REVISIONS	
NAME	DATE

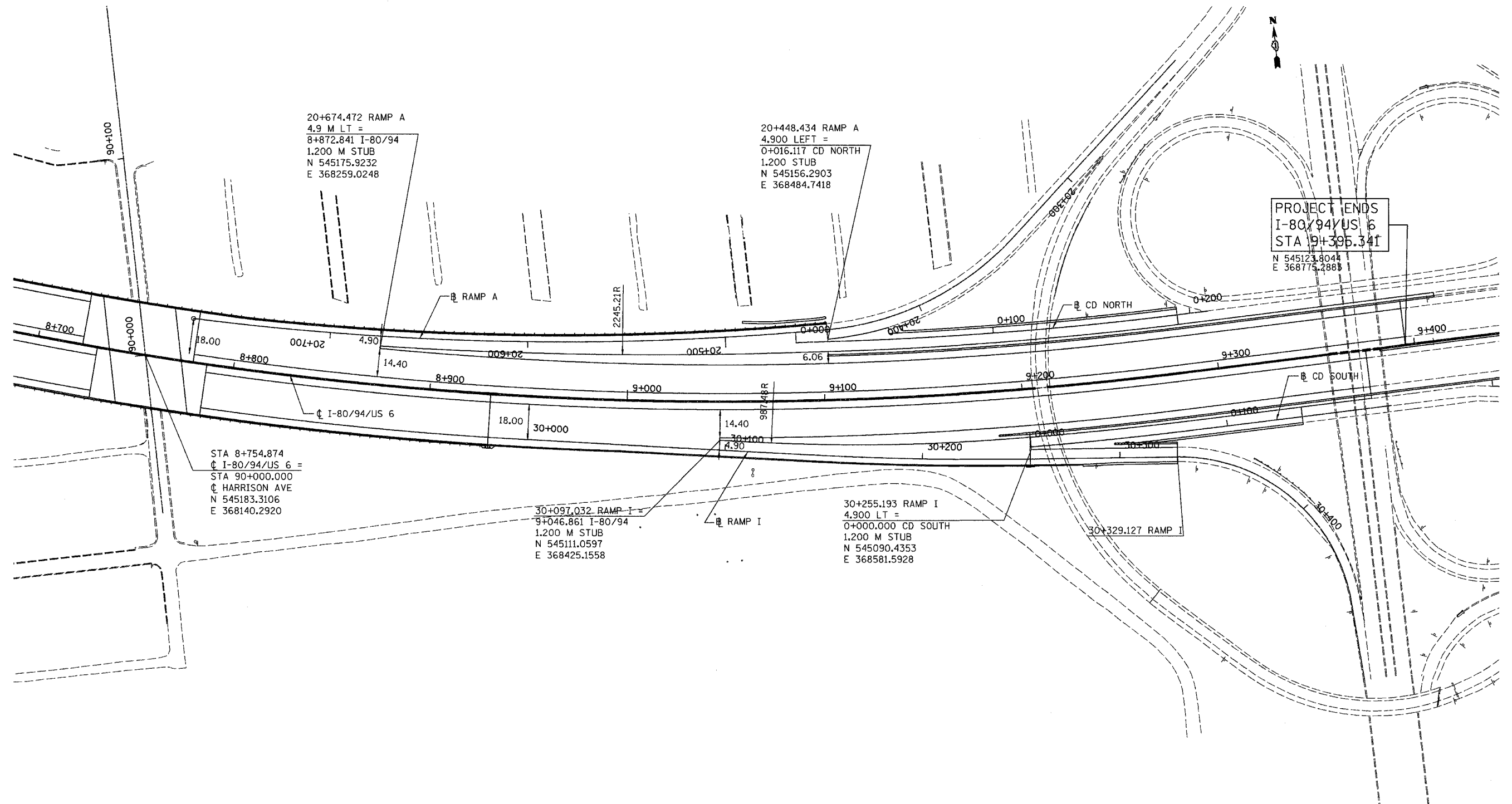
SCALE NTS
DATE 07/05

DRAWN BY ACE/CAD
CHECKED BY TAE

AMERICAN
CONSULTING ENGINEERS

ALL DIMENSIONS IN METERS EXCEPT PAY
ITEMS AND UNLESS NOTED OTHERWISE

F.A.I. RTE.	SECTION	COUNTY	TOTAL SHEETS	SHEET NO.
80/94	2626.2-R-2	COOK/LAKE	1207	47
STA. TO STA.		FED. ROAD DIST. NO. ILLINOIS FED. AID PROJECT		
		CONTRACT NO. 62114 INDOT DES. NO. 0100987		



20+674.472 RAMP A
4.9 M LT =
8+872.841 I-80/94
1.200 M STUB
N 545175.9232
E 368259.0248

20+448.434 RAMP A
4.900 LEFT =
0+016.117 CD NORTH
1.200 STUB
N 545156.2903
E 368484.7418

PROJECT ENDS
I-80/94/US 6
STA 9+395.341
N 545123.8044
E 368775.2888

STA 8+754.874
I-80/94/US 6 =
STA 90+000.000
HARRISON AVE
N 545183.3106
E 368140.2920

30+097.032 RAMP I =
9+046.861 I-80/94
1.200 M STUB
N 545111.0597
E 368425.1558

30+255.193 RAMP I
4.900 LT =
0+000.000 CD SOUTH
1.200 M STUB
N 545090.4353
E 368581.5928

REVISIONS	
NAME	DATE

ILLINOIS DEPARTMENT OF TRANSPORTATION
I-80/94/US 6
KINGERY-BORMAN EXPRESSWAY
BURNHAM ROAD TO US 41
**CALUMET AVENUE (US-41)
INTERCHANGE LAYOUT**

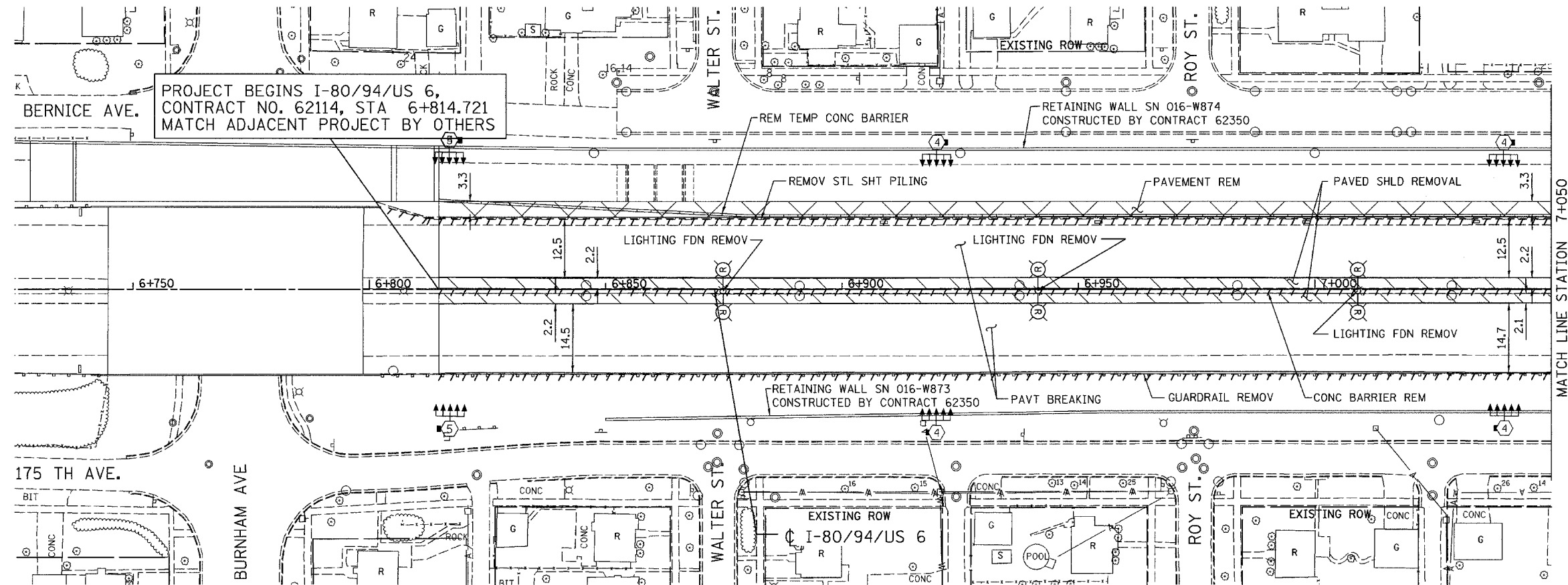
SCALE 1:1000
DATE 07/05

DRAWN BY ACE/CAD
CHECKED BY TAE



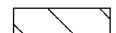
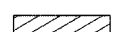
AMERICAN
CONSULTING ENGINEERS

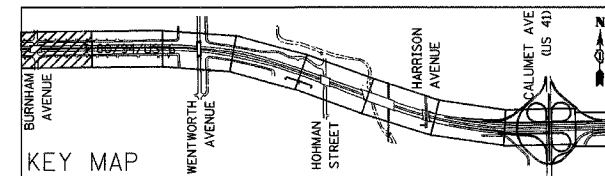
ALL DIMENSIONS IN METERS EXCEPT PAV
ITEMS AND UNLESS NOTED OTHERWISE

F.A.I. RTE.	SECTION	COUNTY	TOTAL SHEETS	SHEET NO.
80/94	2626.2-R-2	COOK/LAKE	1207	48
STA.	TO STA.			
FED. ROAD DIST. NO.	ILLINOIS FED. AID PROJECT			
CONTRACT NO. 62114	INDOT DES. NO. 0100987			



EXISTING LEGEND:

-  LIGHT POLE REMOVAL (BY CONTRACT 62664)
-  PAVEMENT REMOVAL
-  PAVED SHOULDER REMOVAL
-  APPROACH SLAB REMOVAL




REVISIONS	
NAME	DATE

ILLINOIS DEPARTMENT OF TRANSPORTATION
I-80/94/US 6
KINGERY-BORMAN EXPRESSWAY
BURNHAM ROAD TO US 41
EXISTING PLAN

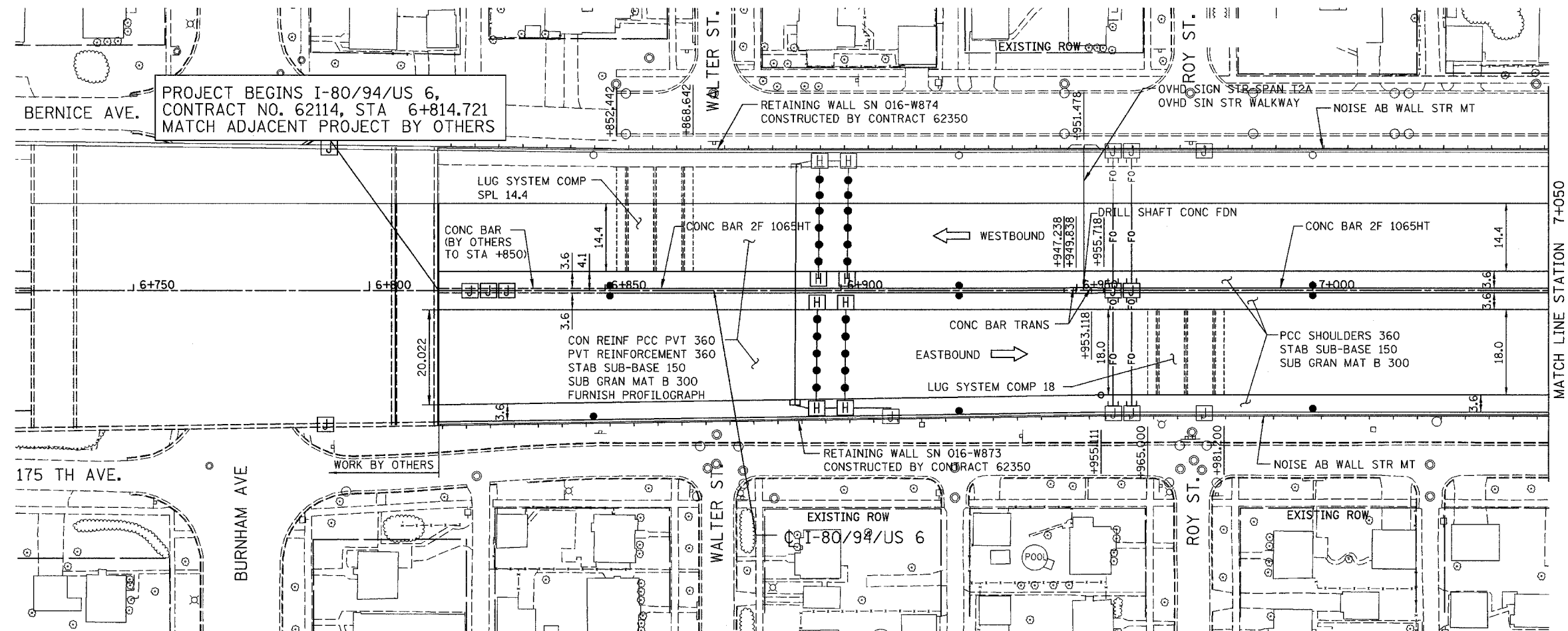
STA. 6 + 814.721 TO STA. 7 + 050
SCALE 1:500
DATE 07/05

DRAWN BY ACE/CAD
CHECKED BY TAE



ALL DIMENSIONS IN METERS EXCEPT PAY ITEMS AND UNLESS NOTED OTHERWISE

F.A.I. RTE.	SECTION	COUNTY	TOTAL SHEETS	SHEET NO.
80/94	2626.2-R-2	COOK/LAKE	1207	49
STA.	TO STA.			
FED. ROAD DIST. NO.	ILLINOIS	FED. AID PROJECT		
CONTRACT NO. 62114	INDOT DES. NO. 0100987			



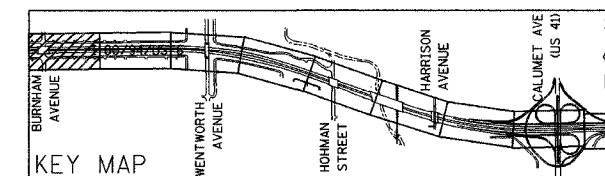
PROJECT BEGINS I-80/94/US 6,
CONTRACT NO. 62114, STA 6+814.721
MATCH ADJACENT PROJECT BY OTHERS



PROPOSED LEGEND:

- NOISE ABATEMENT (SOUND) WALL
- QC/QA PCCP 330
- SUBBASE PCCP 225 (IN)
- SUBGRD TRTMT T1A (IN)

NOTE: FOR ELECTRICAL WORK IN CONTRACT, SEE "ELECTRICAL INSTALLATION PLANS".
FOR ELECTRICAL WORK BY OTHERS, SUBJECT TO CONTRACTOR MODIFICATION,
SEE "EXISTING LIGHTING PLAN" SHEETS.



REVISIONS	
NAME	DATE

ILLINOIS DEPARTMENT OF TRANSPORTATION
I-80/94/US 6
KINGERY-BORMAN EXPRESSWAY
BURNHAM ROAD TO US 41
PROPOSED PLAN

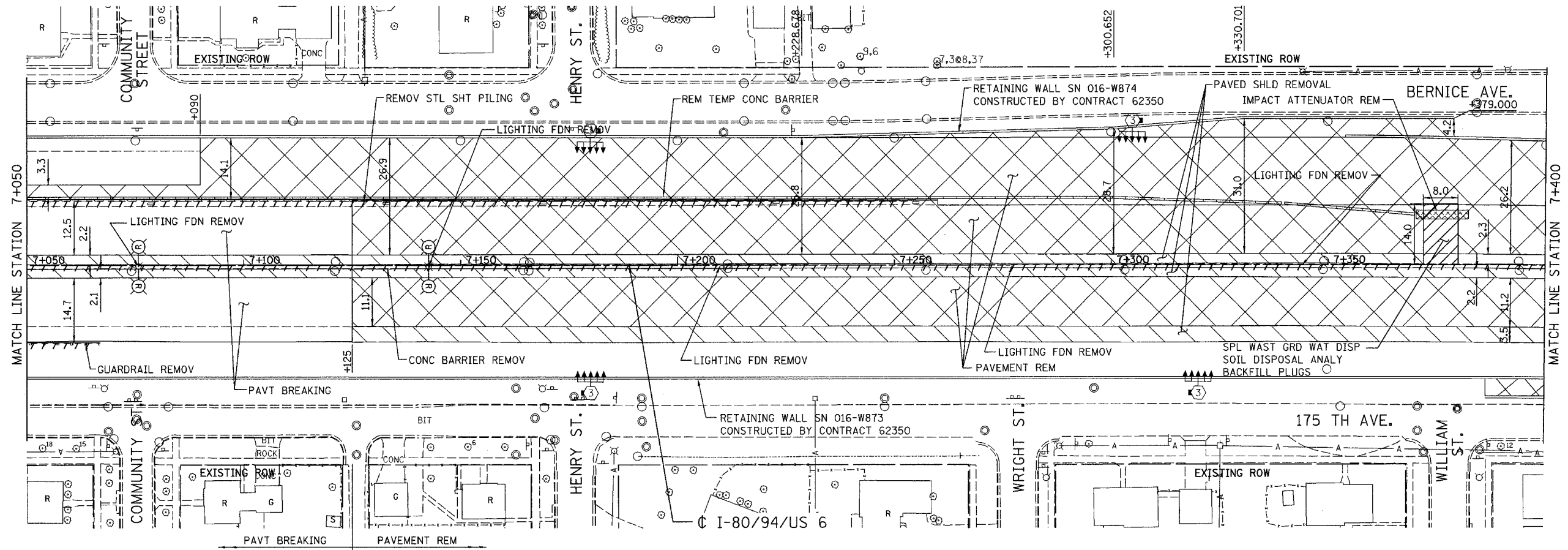
STA. 6 + 814.721 TO STA. 7 + 050

SCALE 1:500
DATE 07/05



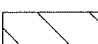

DRAWN BY ACE/CAD
CHECKED BY TAE

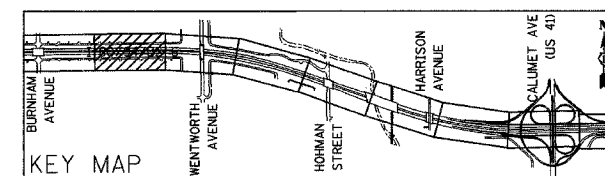
ALL DIMENSIONS IN METERS EXCEPT PAV
ITEMS AND UNLESS NOTED OTHERWISE

F.A.I. RTE.	SECTION	COUNTY	TOTAL SHEETS	SHEET NO.
80/94	2626.2-R-2	COOK/LAKE	1207	50
STA.		TO STA.		
FED. ROAD DIST. NO.		ILLINOIS	FED. AID PROJECT	
CONTRACT NO. 62114		INDOT DES. NO. 0100987		



EXISTING LEGEND:

-  LIGHT POLE REMOVAL (BY CONTRACT 62664)
-  PAVEMENT REMOVAL
-  PAVED SHOULDER REMOVAL
-  APPROACH SLAB REMOVAL




REVISIONS	
NAME	DATE

ILLINOIS DEPARTMENT OF TRANSPORTATION
I-80/94/US 6
KINGERY-BORMAN EXPRESSWAY
BURNHAM ROAD TO US 41
EXISTING PLAN

STA. 7+050 TO STA. 7+400

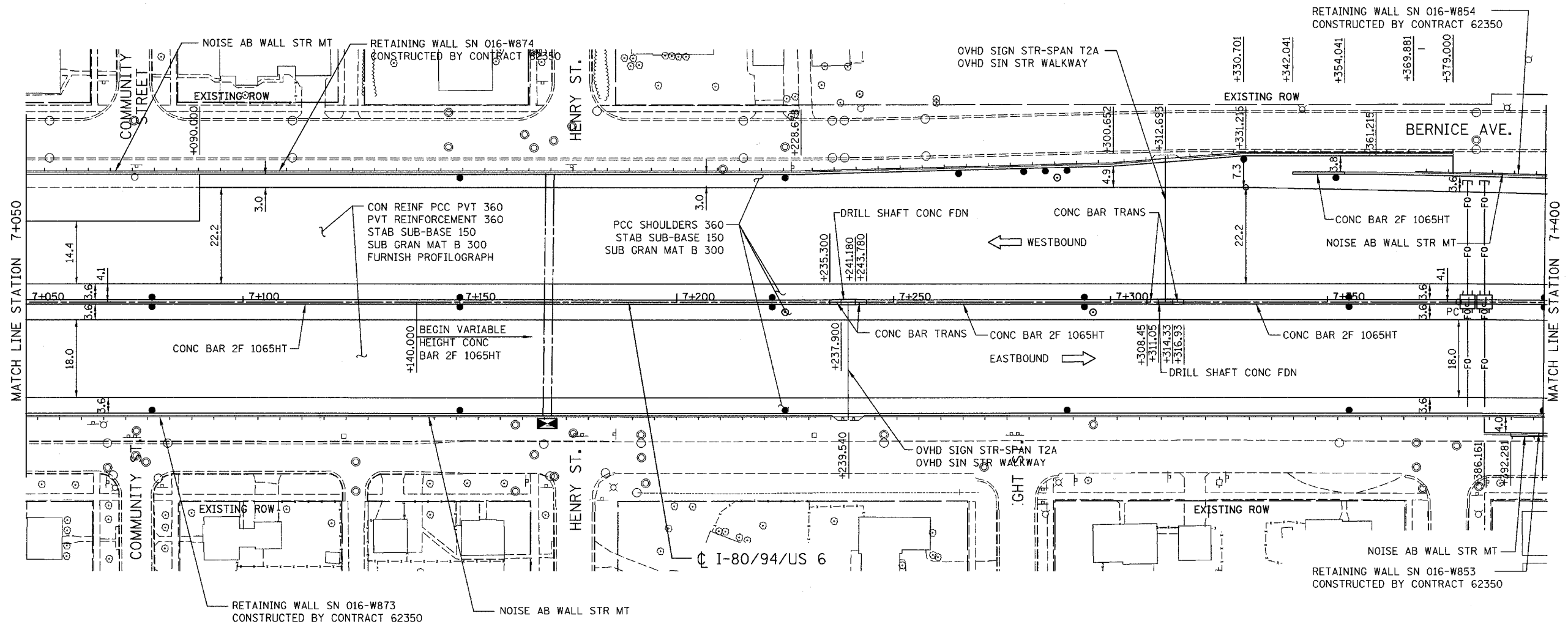
SCALE 1:500
DATE 07/05

DRAWN BY ACE/CAD
CHECKED BY TAE



ALL DIMENSIONS IN METERS EXCEPT PAY ITEMS AND UNLESS NOTED OTHERWISE

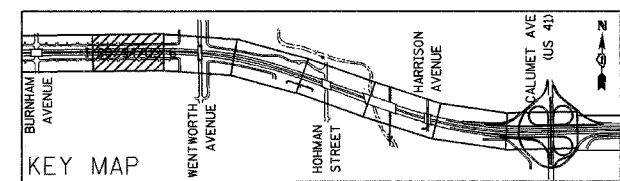
F.A.I. RTE.	SECTION	COUNTY	TOTAL SHEETS	SHEET NO.
80/94	2626.2-R-2	COOK/LAKE	1207	51
STA.	TO STA.			
FED. ROAD DIST. NO.	ILLINOIS FED. AID PROJECT			
CONTRACT NO. 62114	INDOT DES. NO. 0100987			



PROPOSED LEGEND:

- NOISE ABATEMENT (SOUND) WALL
- OC/OA PCCP 330
- SUBBASE PCCP 225 (IN)
- SUBGRD TRTMT T1A (IN)

NOTE: FOR ELECTRICAL WORK IN CONTRACT, SEE "ELECTRICAL INSTALLATION PLANS".
 FOR ELECTRICAL WORK BY OTHERS, SUBJECT TO CONTRACTOR MODIFICATION,
 SEE "EXISTING LIGHTING PLAN" SHEETS.



REVISIONS	
NAME	DATE

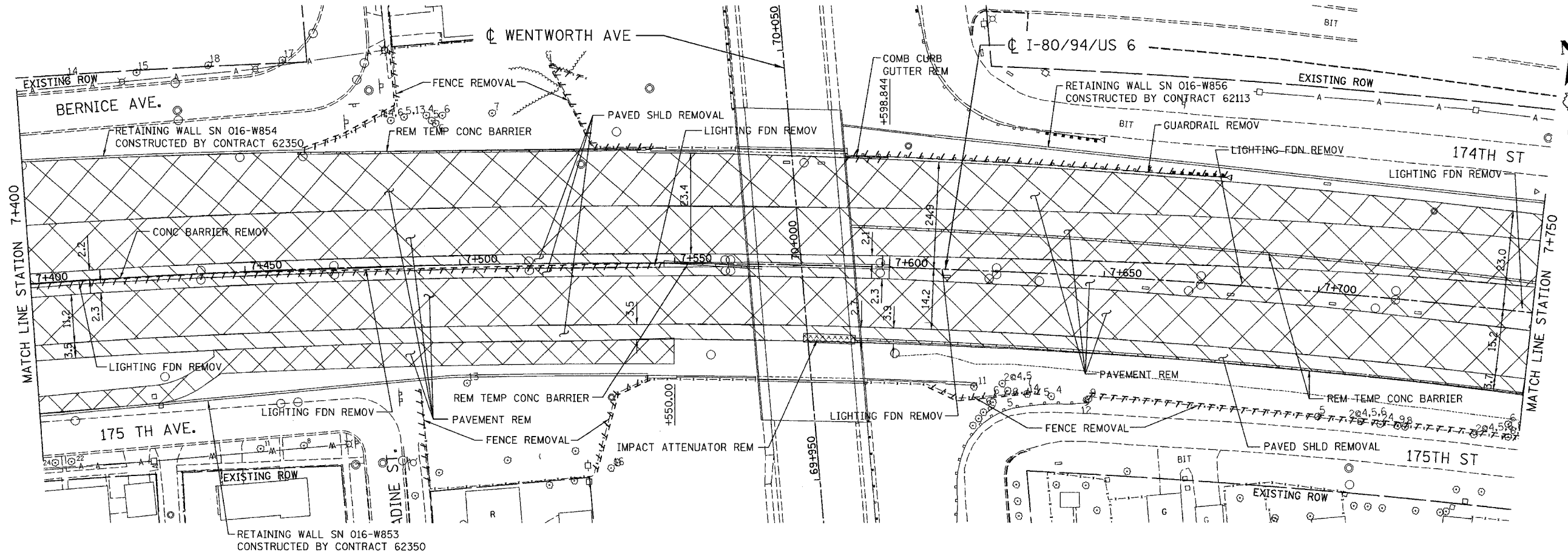
ILLINOIS DEPARTMENT OF TRANSPORTATION
I-80/94/US 6
KINGERY-BORMAN EXPRESSWAY
BURNHAM ROAD TO US 41
PROPOSED PLAN

STA. 7+050 TO STA. 7+400
 SCALE 1:500 DRAWN BY ACE/CAD
 DATE 07/05 CHECKED BY TAE



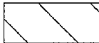

AMERICAN
 CONSULTING ENGINEERS

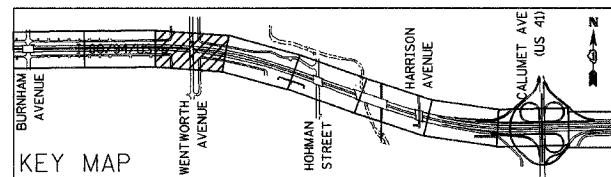
ALL DIMENSIONS IN METERS EXCEPT PAY ITEMS AND UNLESS NOTED OTHERWISE

F.A.I. RTE.	SECTION	COUNTY	TOTAL SHEETS	SHEET NO.
80/94	2626.2-R-2	COOK/LAKE	1207	52
STA.	TO STA.			
FED. ROAD DIST. NO.	ILLINOIS FED. AID PROJECT			
CONTRACT NO. 62114	INDOT DES. NO. 0100987			




EXISTING LEGEND:

-  LIGHT POLE REMOVAL (BY CONTRACT 62664)
-  PAVEMENT REMOVAL
-  PAVED SHOULDER REMOVAL
-  APPROACH SLAB REMOVAL



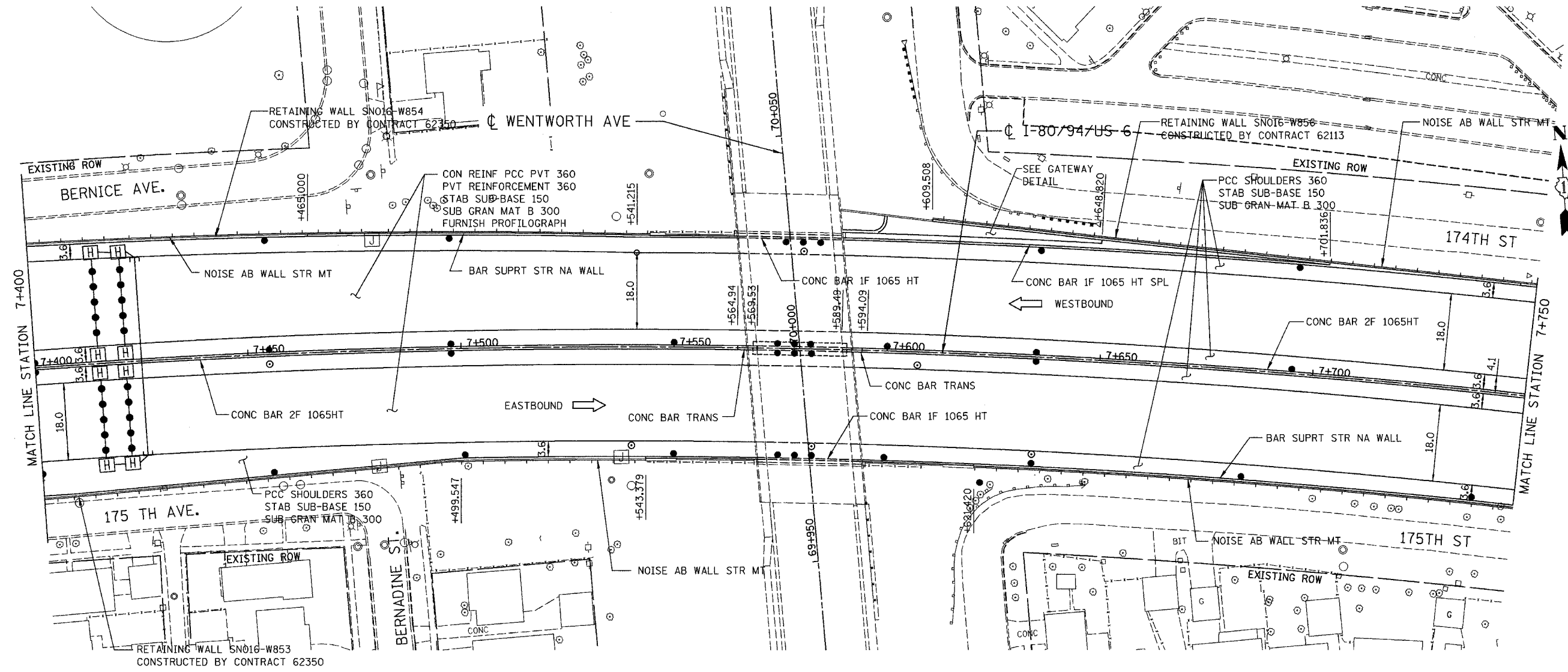
REVISIONS	
NAME	DATE

ILLINOIS DEPARTMENT OF TRANSPORTATION
 I-80/94/US 6
 KINGERY-BORMAN EXPRESSWAY
 BURNHAM ROAD TO US 41
EXISTING PLAN
 STA. 7+400 TO STA. 7+750
 SCALE 1:500 DRAWN BY ACE/CAD
 DATE 07/05 CHECKED BY TAE



ALL DIMENSIONS IN METERS EXCEPT PAY ITEMS AND UNLESS NOTED OTHERWISE

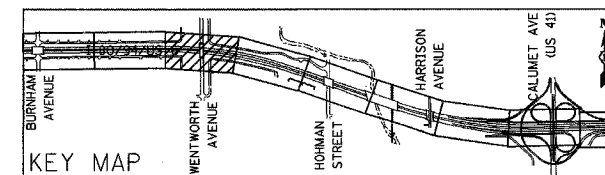
F.A.I. RTE.	SECTION	COUNTY	TOTAL SHEETS	SHEET NO.
80/94	2626.2-R-2	COOK/LAKE	1207	53
STA.	TO STA.			
FED. ROAD DIST. NO.	ILLINOIS	FED. AID PROJECT		
CONTRACT NO. 62114	INDOT DES. NO. 0100987			



PROPOSED LEGEND:

- NOISE ABATEMENT (SOUND) WALL
- QC/OA PCCP 330
SUBBASE PCCP 225 (IN)
SUBGRD TRTMT T1A (IN)

NOTE: FOR ELECTRICAL WORK IN CONTRACT, SEE "ELECTRICAL INSTALLATION PLANS".
FOR ELECTRICAL WORK BY OTHERS, SUBJECT TO CONTRACTOR MODIFICATION,
SEE "EXISTING LIGHTING PLAN" SHEETS.



REVISIONS	
NAME	DATE

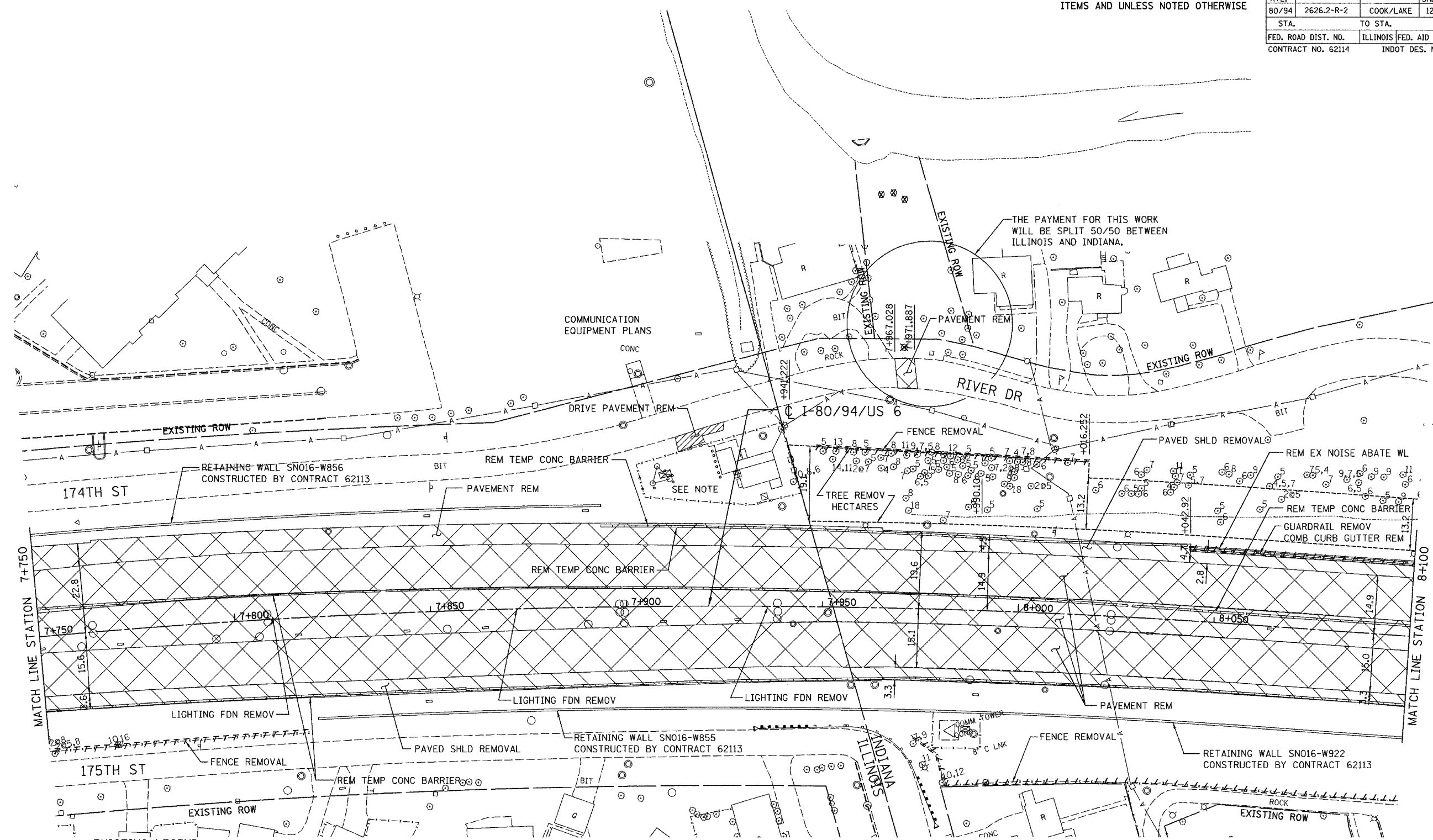
ILLINOIS DEPARTMENT OF TRANSPORTATION
I-80/94/US 6
KINGERY-BORMAN EXPRESSWAY
BURNHAM ROAD TO US 41
PROPOSED PLAN

STA. 7+400 TO STA. 7+750
 SCALE 1:500 DRAWN BY ACE/CAD
 DATE 07/05 CHECKED BY TAE

AMERICAN
 CONSULTING ENGINEERS

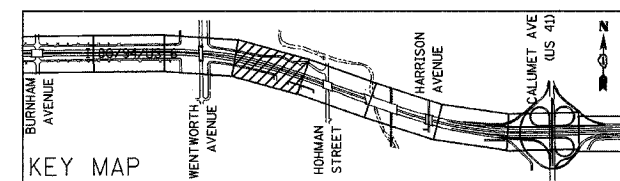
ALL DIMENSIONS IN METERS EXCEPT PAY ITEMS AND UNLESS NOTED OTHERWISE

F.A.I. RTE.	SECTION	COUNTY	TOTAL SHEETS	SHEET NO.
80/94	2626.2-R-2	COOK/LAKE	1207	54
STA.	TO STA.			
FED. ROAD DIST. NO.	ILLINOIS	FED. AID PROJECT		
CONTRACT NO. 62114	INDOT DES. NO. 0100987			



- EXISTING LEGEND:**
- LIGHT POLE REMOVAL (BY CONTRACT 62664)
 - PAVEMENT REMOVAL
 - PAVED SHOULDER REMOVAL
 - APPROACH SLAB REMOVAL

NOTE: SEE ILLINOIS PUMP STATION EXISTING / PROPOSED PLAN FOR REMOVAL INFORMATION



REVISIONS	
NAME	DATE

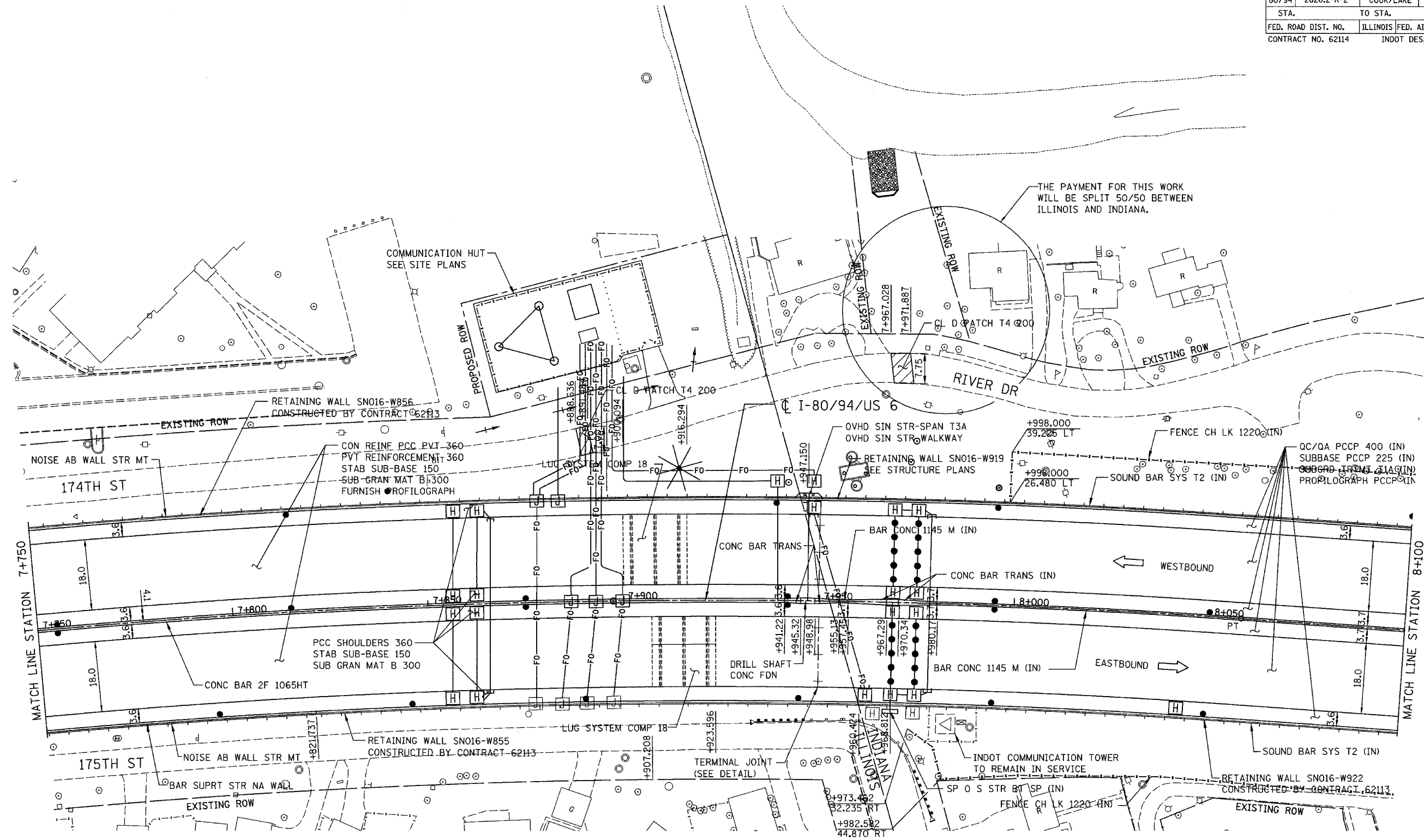
ILLINOIS DEPARTMENT OF TRANSPORTATION
 I-80/94/US 6
 KINGERY-BORMAN EXPRESSWAY
 BURNHAM ROAD TO US 41
EXISTING PLAN
 STA. 7+750 TO STA. 8+100
 SCALE 1:500 DRAWN BY ACE/CAD
 DATE 07/05 CHECKED BY TAE

AMERICAN
 CONSULTING ENGINEERS



ALL DIMENSIONS IN METERS EXCEPT PAVEMENT ITEMS AND UNLESS NOTED OTHERWISE

F.A.I. RTE.	SECTION	COUNTY	TOTAL SHEETS	SHEET NO.
80/94	2626.2-R-2	COOK/LAKE	1207	55
STA.		TO STA.		
FED. ROAD DIST. NO.		ILLINOIS FED. AID PROJECT		
CONTRACT NO. 62114		INDOT DES. NO. 0100987		

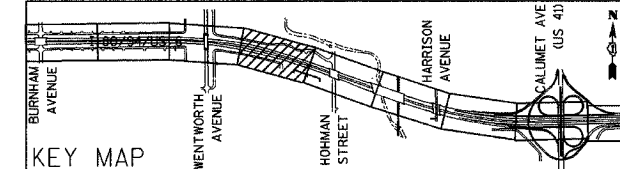


PROPOSED LEGEND:

- NOISE ABATEMENT (SOUND) WALL
- QC/QA PCCP 330
- SUBBASE PCCP 225 (IN)
- SUBGRD TRTMT T1A (IN)

NOTE: MONUMENTS SHALL BE SET IN THE MEDIAN BARRIER AT THE PC AND PT POINTS ALONG THE CENTERLINE OF I-80/94 WITHIN THE INDIANA PROJECT LIMITS. THE WORK SHALL BE PAID FOR AS "MONUMENT, D (INDIANA)" AT A QUANTITY OF 3 EACH.

NOTE: FOR ELECTRICAL WORK IN CONTRACT, SEE "ELECTRICAL INSTALLATION PLANS". FOR ELECTRICAL WORK BY OTHERS, SUBJECT TO CONTRACTOR MODIFICATION, SEE "EXISTING LIGHTING PLAN" SHEETS.



REVISIONS	
NAME	DATE

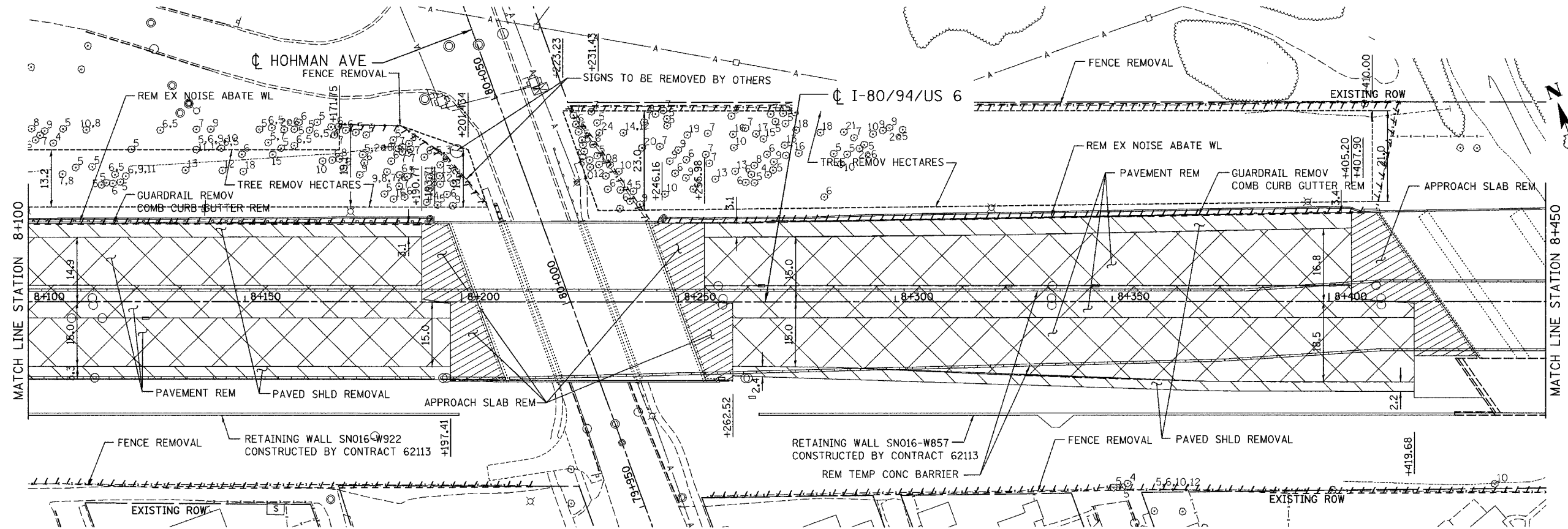
ILLINOIS DEPARTMENT OF TRANSPORTATION
I-80/94/US 6
KINGERY-BORMAN EXPRESSWAY
BURNHAM ROAD TO US 41
PROPOSED PLAN

STA. 7+750 TO STA. 8+100
 SCALE 1:500 DRAWN BY ACE/CAD
 DATE 07/05 CHECKED BY TAE



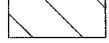
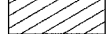


ALL DIMENSIONS IN METERS EXCEPT PAVEMENT ITEMS AND UNLESS NOTED OTHERWISE

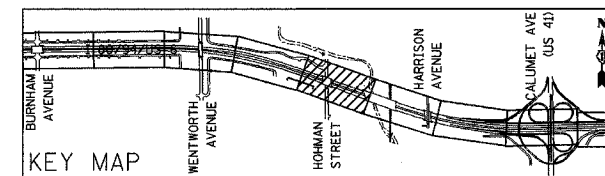
F.A.I. RTE.	SECTION	COUNTY	TOTAL SHEETS	SHEET NO.
80/94	2626.2-R-2	COOK/LAKE	1207	56
STA.	TO STA.			
FED. ROAD DIST. NO.	ILLINOIS FED. AID PROJECT			
CONTRACT NO. 62114	INDOT DES. NO. 0100987			



EXISTING LEGEND:

-  LIGHT POLE REMOVAL (BY CONTRACT 62664)
-  PAVEMENT REMOVAL
-  PAVED SHOULDER REMOVAL
-  APPROACH SLAB REMOVAL

NOTE: SEE HOHMAN AVENUE EXISTING/PROPOSED PLAN FOR REMOVAL INFORMATION



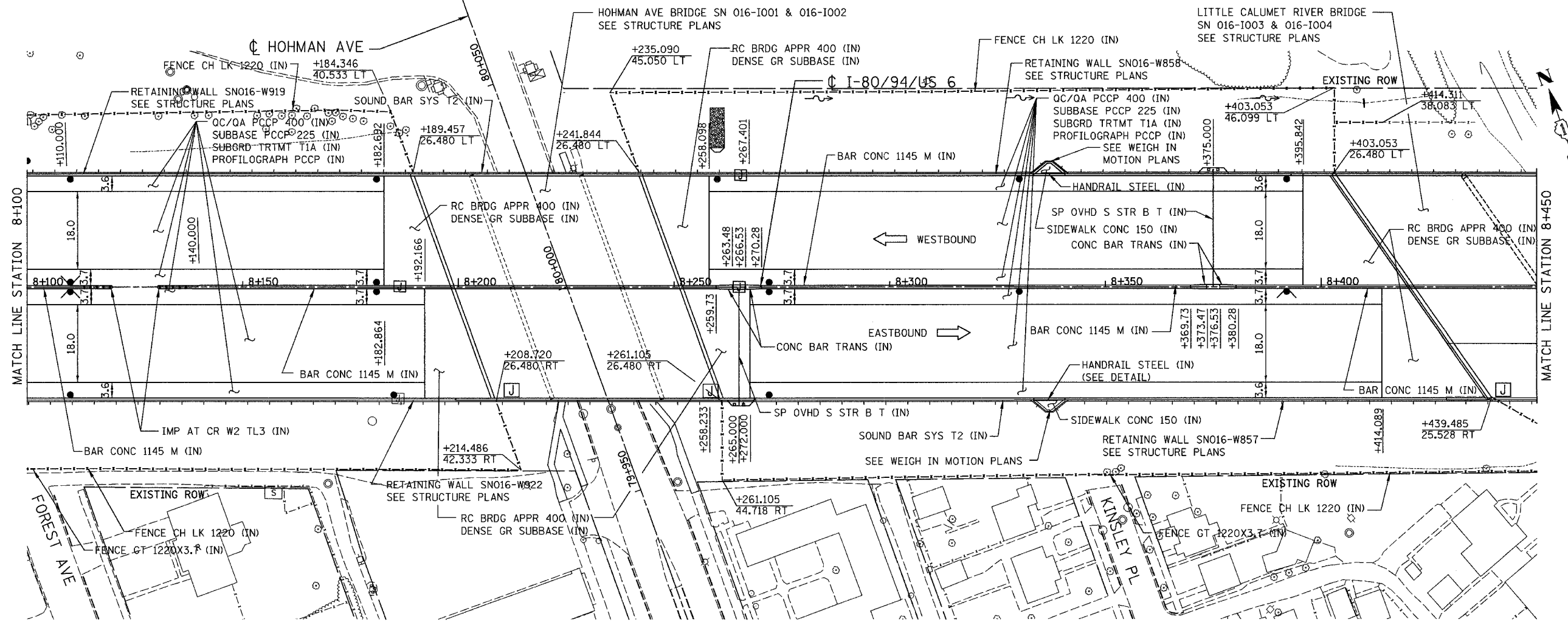
REVISIONS	
NAME	DATE

ILLINOIS DEPARTMENT OF TRANSPORTATION
 I-80/94/US 6
 KINGERY-BORMAN EXPRESSWAY
 BURNHAM ROAD TO US 41
EXISTING PLAN
 STA. 8+100 TO STA. 8+450
 SCALE 1:500
 DATE 07/05
 DRAWN BY ACE/CAD
 CHECKED BY TAE



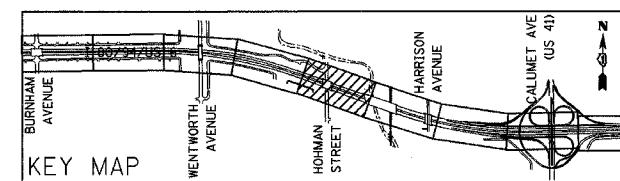
ALL DIMENSIONS IN METERS EXCEPT PAY ITEMS AND UNLESS NOTED OTHERWISE

F.A.I. RTE.	SECTION	COUNTY	TOTAL SHEETS	SHEET NO.
80/94	2626.2-R-2	COOK/LAKE	1207	57
STA.	TO STA.			
FED. ROAD DIST. NO.	ILLINOIS FED. AID PROJECT			
CONTRACT NO. 62114	INDOT DES. NO. 0100987			



- PROPOSED LEGEND:**
- NOISE ABATEMENT (SOUND) WALL
 - QC/OA PCCP 330
 - SUBBASE PCCP 225 (IN)
 - SUBGRD TRTMT T1A (IN)

NOTE: FOR ELECTRICAL WORK IN CONTRACT, SEE "ELECTRICAL INSTALLATION PLANS".
 FOR ELECTRICAL WORK BY OTHERS, SUBJECT TO CONTRACTOR MODIFICATION,
 SEE "EXISTING LIGHTING PLAN" SHEETS.



REVISIONS	
NAME	DATE

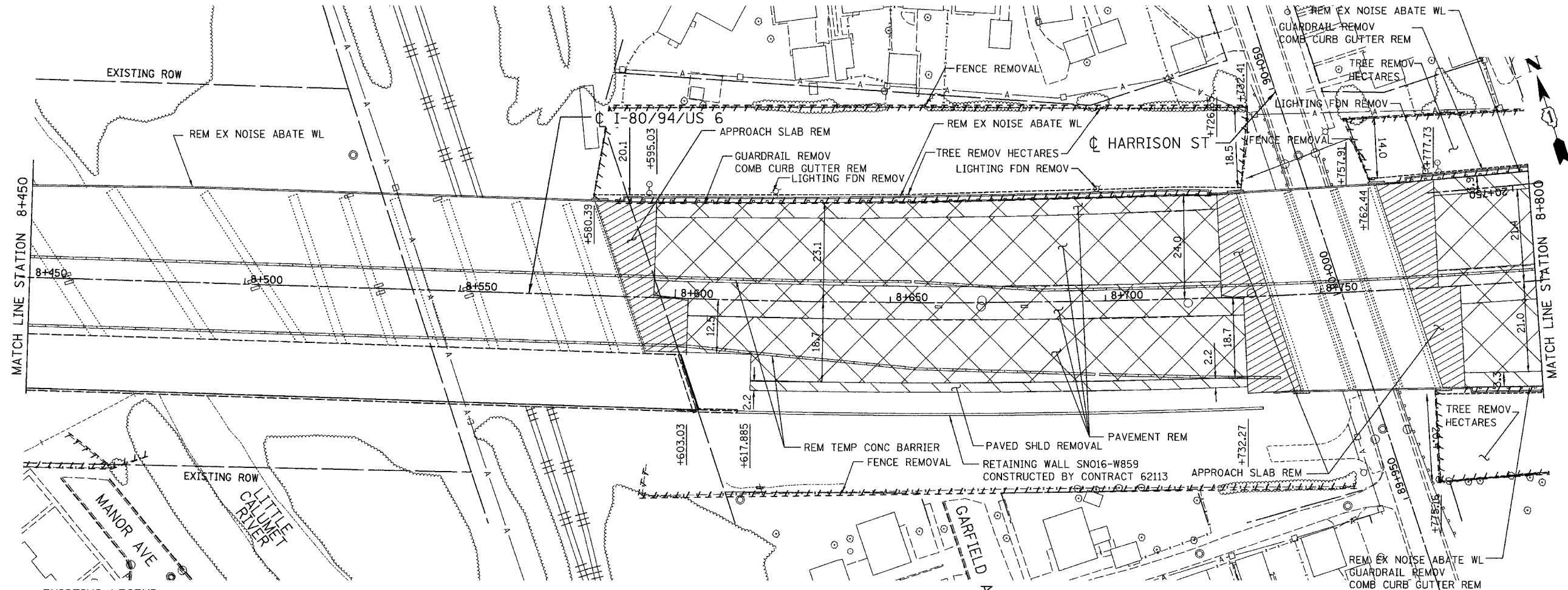
ILLINOIS DEPARTMENT OF TRANSPORTATION
 I-80/94/US 6
 KINGERY-BORMAN EXPRESSWAY
 BURNHAM ROAD TO US 41
PROPOSED PLAN

STA. 8+100 TO STA. 8+450
 SCALE 1:500 DRAWN BY ACE/CAD
 DATE 07/05 CHECKED BY TAE



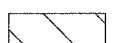

AMERICAN
 CONSULTING ENGINEERS

ALL DIMENSIONS IN METERS EXCEPT PAVEMENT ITEMS AND UNLESS NOTED OTHERWISE

F.A.I. RTE.	SECTION	COUNTY	TOTAL SHEETS	SHEET NO.
80/94	2626.2-R-2	COOK/LAKE	1207	58
STA.	TO STA.			
FED. ROAD DIST. NO.	ILLINOIS FED. AID PROJECT			
CONTRACT NO. 62114	INDOT DES. NO. 0100987			

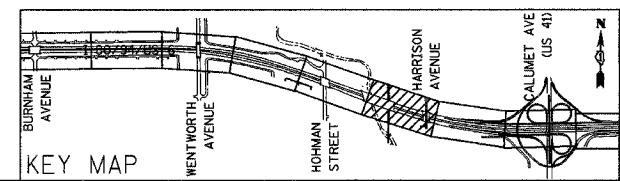


EXISTING LEGEND:

-  LIGHT POLE REMOVAL (BY CONTRACT 62664)
-  PAVEMENT REMOVAL
-  PAVED SHOULDER REMOVAL
-  APPROACH SLAB REMOVAL


NOTE:

1. SEE HARRISON STREET EXISTING/PROPOSED PLAN FOR REMOVAL INFORMATION
2. EASTBOUND OUTSIDE LANES OF LITTLE CALUMET RIVER BRIDGE CONSTRUCTED IN CONTRACT 62113



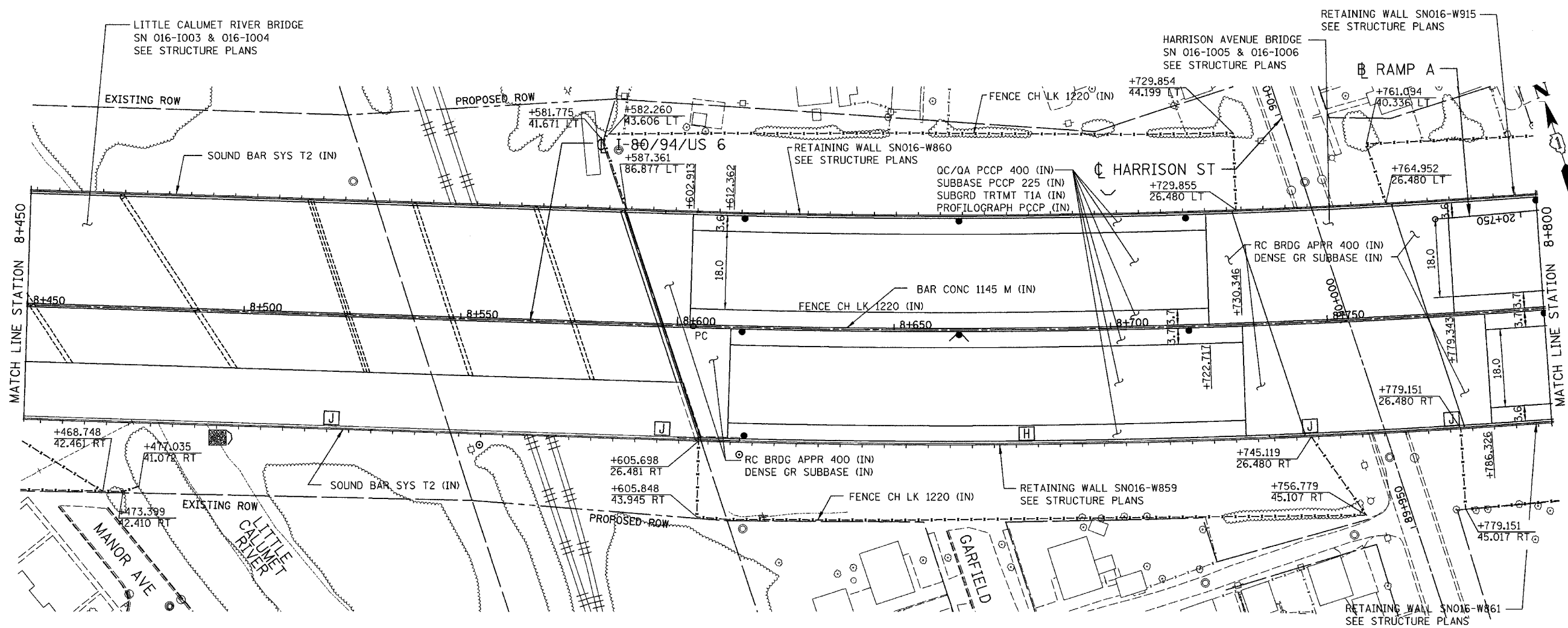
REVISIONS	
NAME	DATE

ILLINOIS DEPARTMENT OF TRANSPORTATION
 I-80/94/US 6
 KINGERY-BORMAN EXPRESSWAY
 BURNHAM ROAD TO US 41
EXISTING PLAN
 STA. 8+450 TO STA. 8+800
 SCALE 1:500 DRAWN BY ACE/CAD
 DATE 07/05 CHECKED BY TAE



ALL DIMENSIONS IN METERS EXCEPT PAV
ITEMS AND UNLESS NOTED OTHERWISE

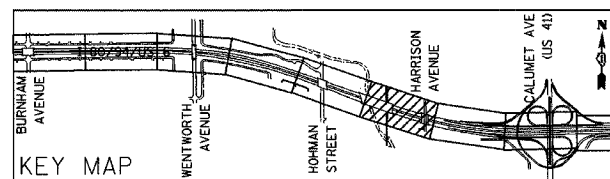
F.A.I. RTE.	SECTION	COUNTY	TOTAL SHEETS	SHEET NO.
80/94	2626.2-R-2	COOK/LAKE	1207	59
STA.		TO STA.		
FED. ROAD DIST. NO.		ILLINOIS FED. AID PROJECT		
CONTRACT NO. 62114		INDOT DES. NO. 0100987		



PROPOSED LEGEND:

- NOISE ABATEMENT (SOUND) WALL
- QC/QA PCCP 330
SUBBASE PCCP 225 (IN)
SUBGRD TRTMT T1A (IN)

NOTE: FOR ELECTRICAL WORK IN CONTRACT, SEE "ELECTRICAL INSTALLATION PLANS".
FOR ELECTRICAL WORK BY OTHERS, SUBJECT TO CONTRACTOR MODIFICATION,
SEE "EXISTING LIGHTING PLAN" SHEETS.



REVISIONS	
NAME	DATE

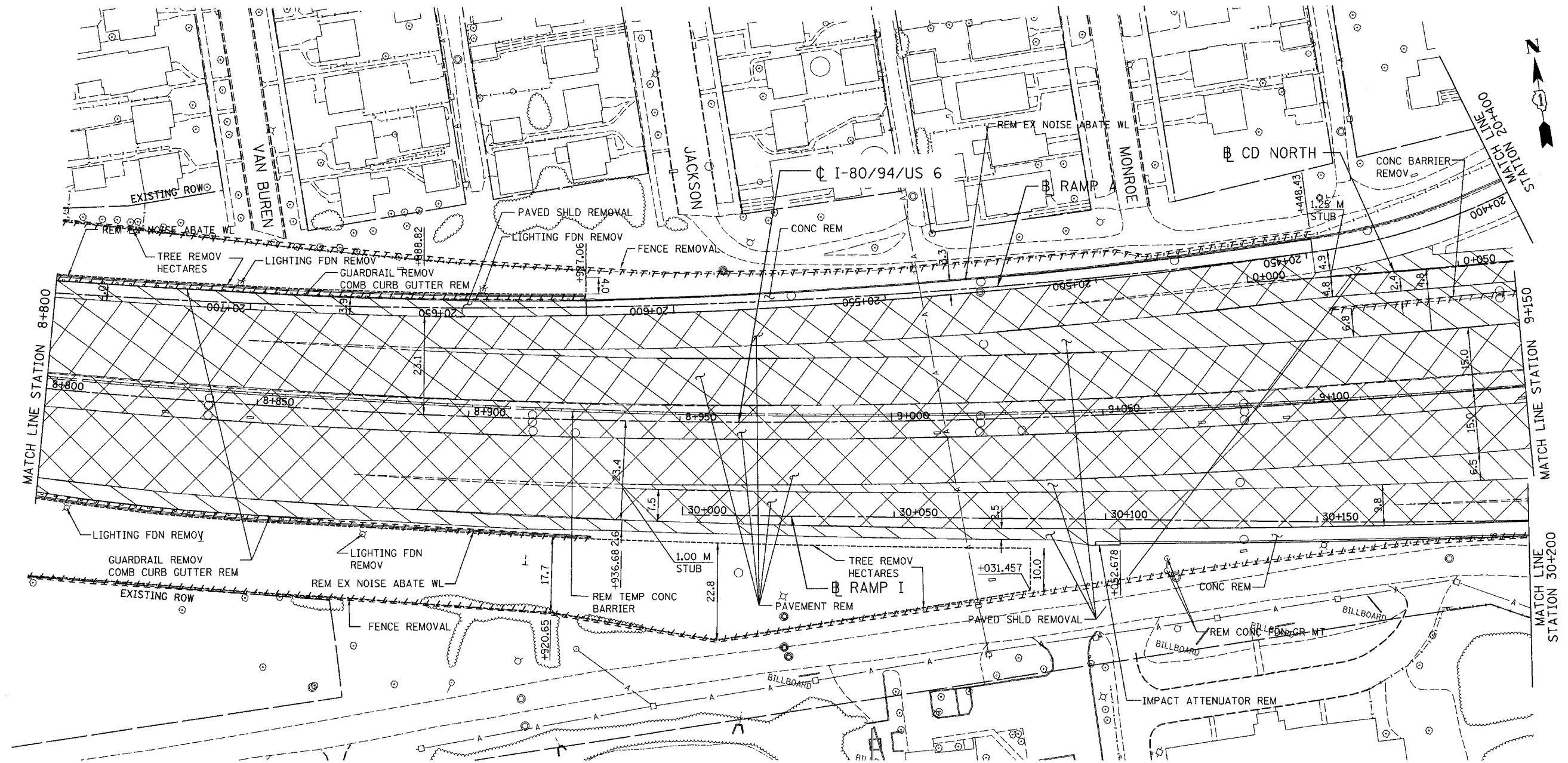
ILLINOIS DEPARTMENT OF TRANSPORTATION
I-80/94/US 6
KINGERY-BORMAN EXPRESSWAY
BURNHAM ROAD TO US 41
PROPOSED PLAN

STA. 8+450 TO STA. 8+800
SCALE 1:500
DATE 07/05



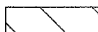
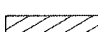
DRAWN BY ACE/CAD
CHECKED BY TAE

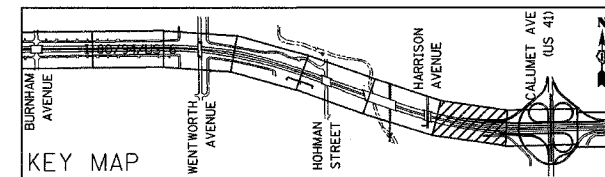
ALL DIMENSIONS IN METERS EXCEPT PAY ITEMS AND UNLESS NOTED OTHERWISE

F.A.I. RTE.	SECTION	COUNTY	TOTAL SHEETS	SHEET NO.
80/94	2626.2-R-2	COOK/LAKE	1207	60
STA.	TO STA.			
FED. ROAD DIST. NO.	ILLINOIS FED. AID PROJECT			
CONTRACT NO. 62114	INDOT DES. NO. 0100987			



EXISTING LEGEND:

-  LIGHT POLE REMOVAL (BY CONTRACT 62664)
-  PAVEMENT REMOVAL
-  PAVED SHOULDER REMOVAL
-  APPROACH SLAB REMOVAL



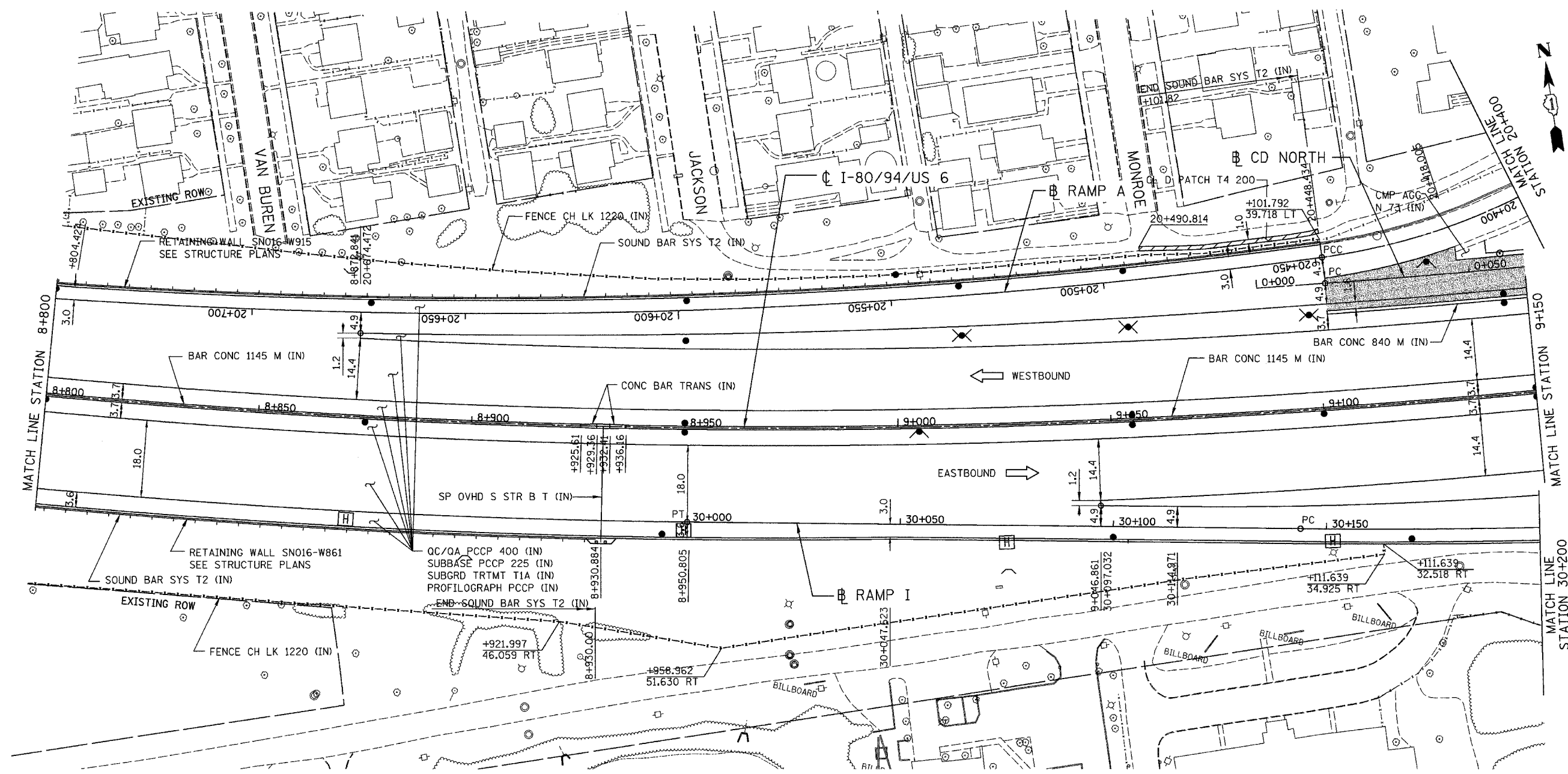
REVISIONS	
NAME	DATE

ILLINOIS DEPARTMENT OF TRANSPORTATION
 I-80/94/US 6
 KINGERY-BORMAN EXPRESSWAY
 BURNHAM ROAD TO US 41
EXISTING PLAN
 STA. 8+800 TO STA. 9+150
 SCALE 1:500 DRAWN BY ACE/CAD
 DATE 07/05 CHECKED BY TAE



ALL DIMENSIONS IN METERS EXCEPT PAY ITEMS AND UNLESS NOTED OTHERWISE

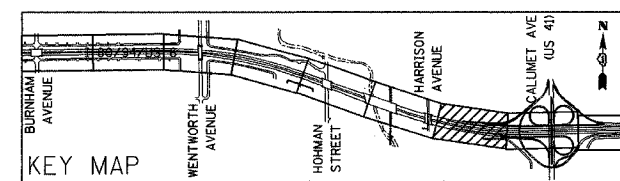
F.A.I. RTE.	SECTION	COUNTY	TOTAL SHEETS	SHEET NO.
80/94	2626.2-R-2	COOK/LAKE	1207	61
STA.	TO STA.			
FED. ROAD DIST. NO.	ILLINOIS	FED. AID PROJECT		
CONTRACT NO. 62114	INDOT DES. NO. 0100987			



PROPOSED LEGEND:

- NOISE ABATEMENT (SOUND) WALL
- QC/QA PCCP 330
- SUBBASE PCCP 225 (IN)
- SUBGRD TRTMT T1A (IN)

NOTE: FOR ELECTRICAL WORK IN CONTRACT, SEE "ELECTRICAL INSTALLATION PLANS".
FOR ELECTRICAL WORK BY OTHERS, SUBJECT TO CONTRACTOR MODIFICATION,
SEE "EXISTING LIGHTING PLAN" SHEETS.

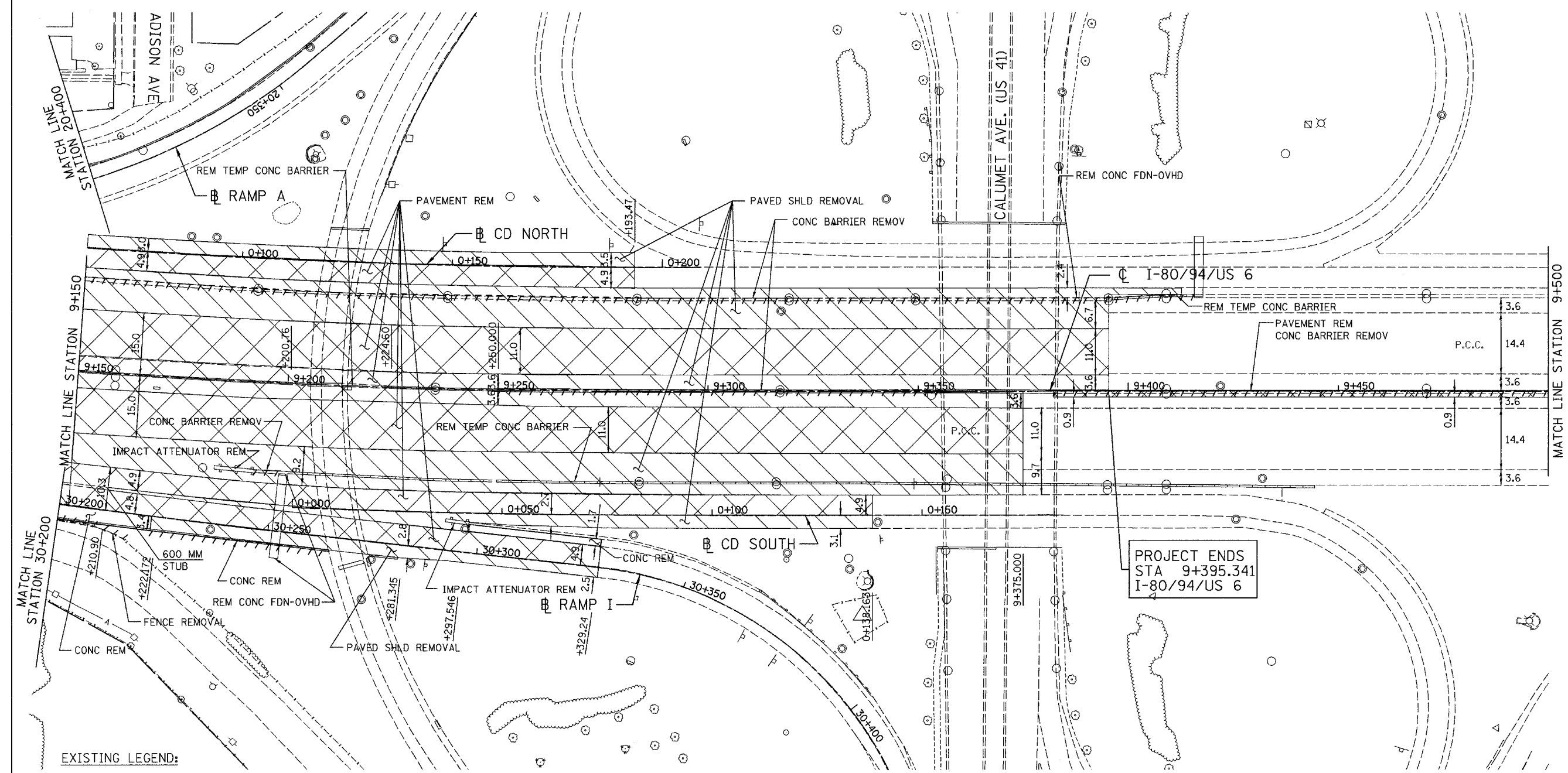


REVISIONS	
NAME	DATE

ILLINOIS DEPARTMENT OF TRANSPORTATION
I-80/94/US 6
KINGERY-BORMAN EXPRESSWAY
BURNHAM ROAD TO US 41
PROPOSED PLAN
STA. 8+800 TO STA. 9+150
SCALE 1:500 DRAWN BY ACE/CAD
DATE 07/05 CHECKED BY TAE
AMERICAN
CONSULTING ENGINEERS




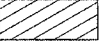
ALL DIMENSIONS IN METERS EXCEPT PAVEMENT ITEMS AND UNLESS NOTED OTHERWISE

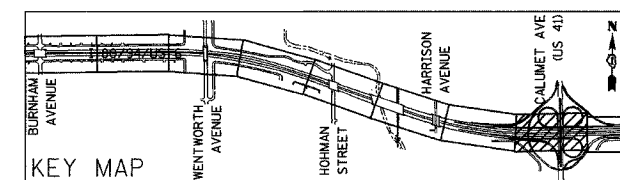
F.A.I. RTE.	SECTION	COUNTY	TOTAL SHEETS	SHEET NO.
80/94	2626.2-R-2	COOK/LAKE	1207	62
STA.		TO STA.		
FED. ROAD DIST. NO.		ILLINOIS FED. AID PROJECT		
CONTRACT NO. 62114		INDOT DES. NO. 0100987		



PROJECT ENDS
STA 9+395.341
I-80/94/US 6

EXISTING LEGEND:

-  LIGHT POLE REMOVAL (BY CONTRACT 62664)
-  PAVEMENT REMOVAL
-  PAVED SHOULDER REMOVAL
-  APPROACH SLAB REMOVAL



REVISIONS	
NAME	DATE

ILLINOIS DEPARTMENT OF TRANSPORTATION
I-80/94/US 6
KINGERY-BORMAN EXPRESSWAY
BURNHAM ROAD TO US 41
EXISTING PLAN

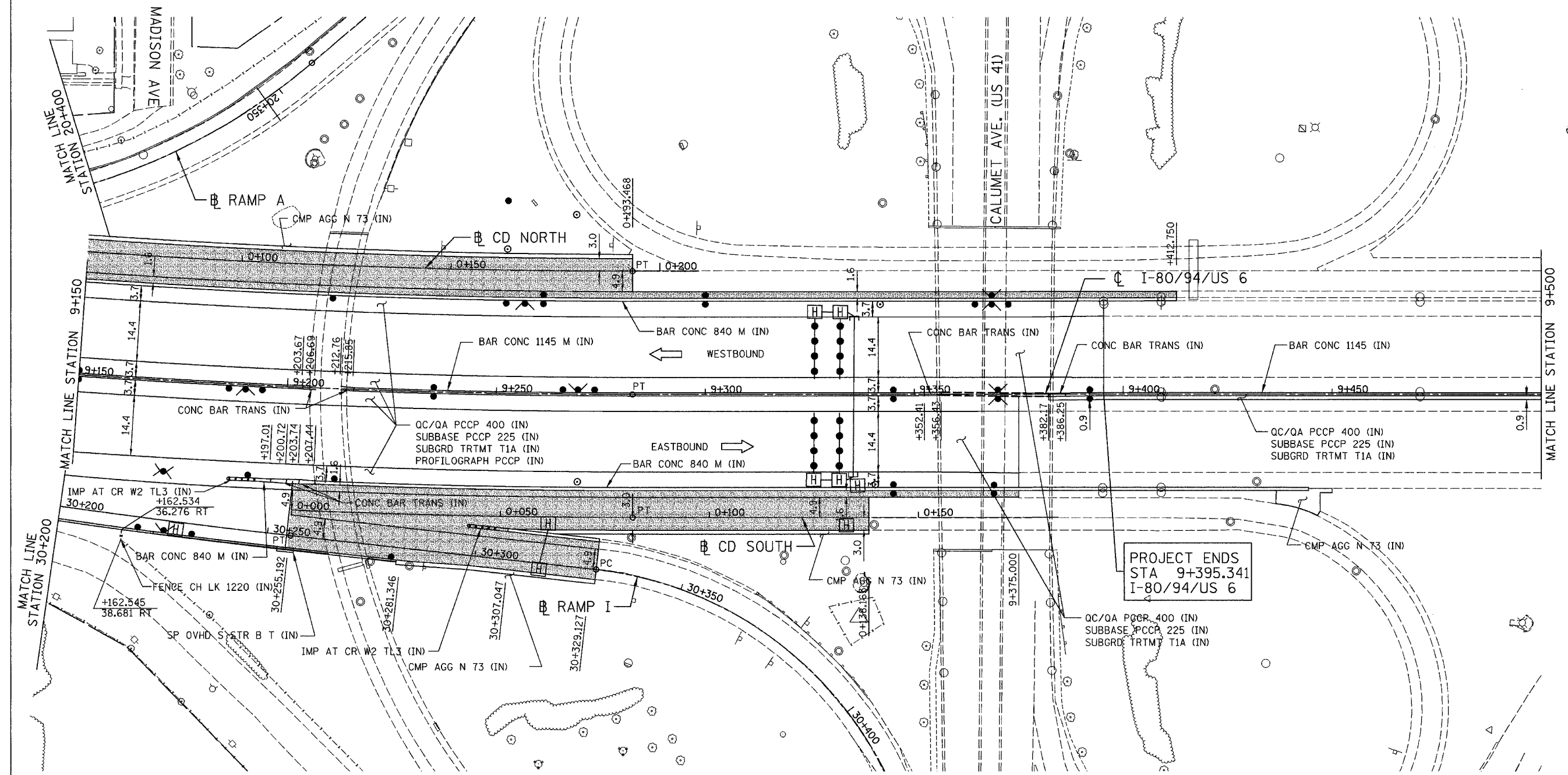
STA. 9+150 TO STA. 9+500
SCALE 1:500
DATE 07/05

DRAWN BY ACE/CAD
CHECKED BY TAE




ALL DIMENSIONS IN METERS EXCEPT PAVEMENT ITEMS AND UNLESS NOTED OTHERWISE

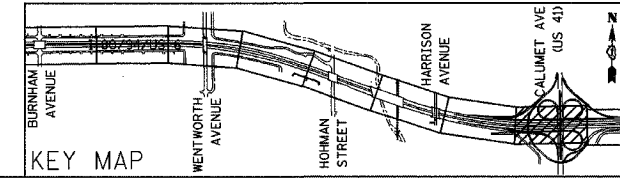
F.A.I. RTE.	SECTION	COUNTY	TOTAL SHEETS	SHEET NO.
80/94	2626.2-R-2	COOK/LAKE	1207	63
STA.		TO STA.		
FED. ROAD DIST. NO.		ILLINOIS FED. AID PROJECT		
CONTRACT NO. 62114		INDOT DES. NO. 0100987		



PROPOSED LEGEND:

	NOISE ABATEMENT (SOUND) WALL
	QC/QA PCCP 330
	SUBBASE PCCP 225 (IN)
	SUBGRD TRTMT T1A (IN)

NOTE: FOR ELECTRICAL WORK IN CONTRACT, SEE "ELECTRICAL INSTALLATION PLANS".
FOR ELECTRICAL WORK BY OTHERS, SUBJECT TO CONTRACTOR MODIFICATION, SEE "EXISTING LIGHTING PLAN" SHEETS.

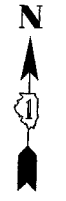


REVISIONS	
NAME	DATE

ILLINOIS DEPARTMENT OF TRANSPORTATION
I-80/94/US 6
KINGERY-BORMAN EXPRESSWAY
BURNHAM ROAD TO US 41
PROPOSED PLAN

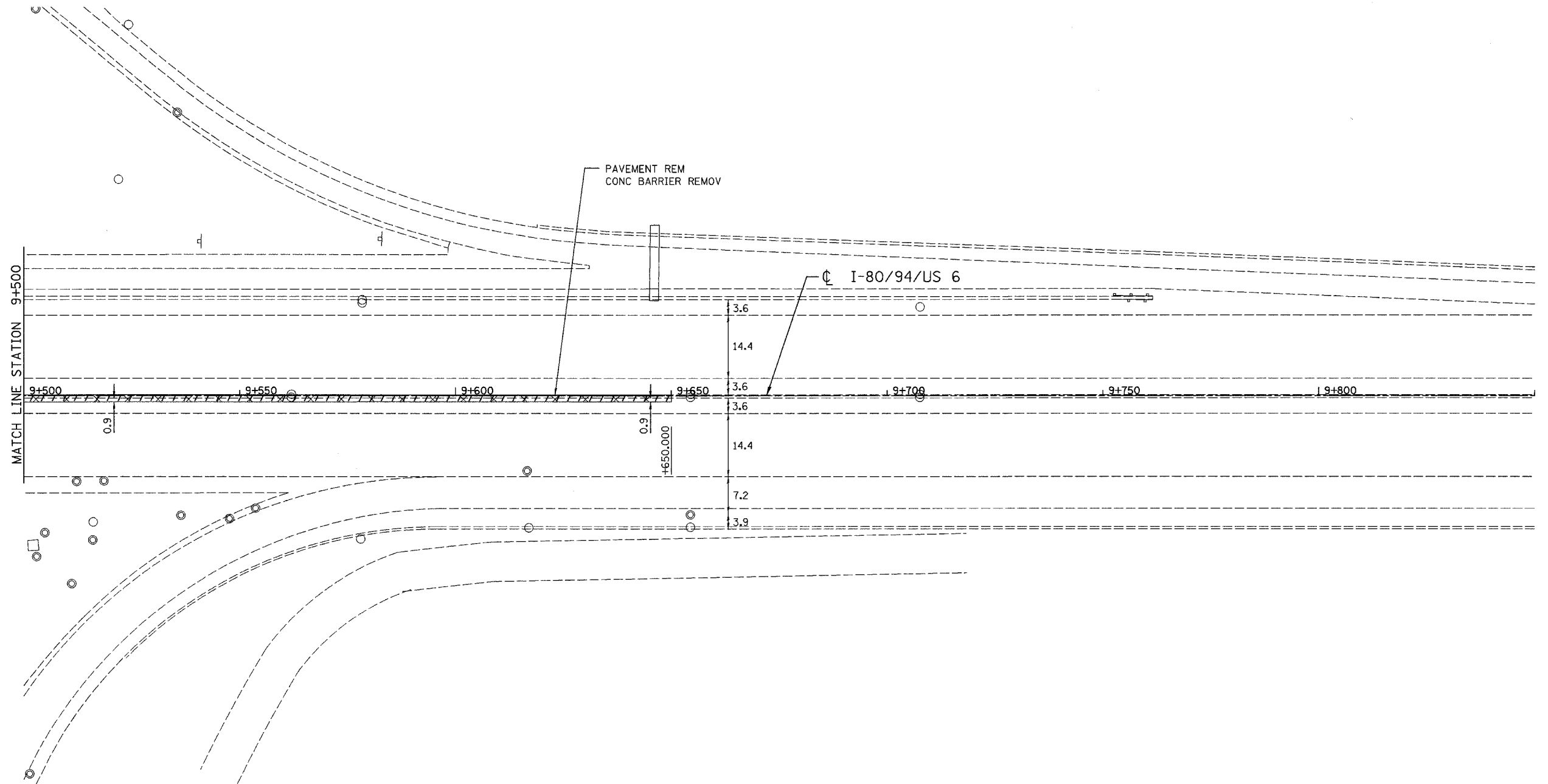
STA. 9+150 TO STA. 9+500
SCALE 1:500
DATE 07/05

DRAWN BY ACE/CAD
CHECKED BY TAE


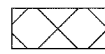
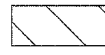
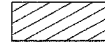


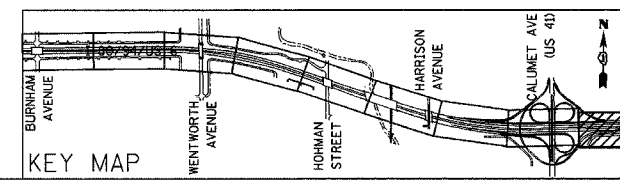
ALL DIMENSIONS IN METERS EXCEPT PAY ITEMS AND UNLESS NOTED OTHERWISE

F.A.I. RTE.	SECTION	COUNTY	TOTAL SHEETS	SHEET NO.
80/94	2626.2-R-2	COOK/LAKE	1207	64
STA.		TO STA.		
FED. ROAD DIST. NO.	ILLINOIS	FED. AID PROJECT		
CONTRACT NO. 62114	INDOT DES. NO. 0100987			



EXISTING LEGEND:

-  LIGHT POLE REMOVAL (BY CONTRACT 62664)
-  PAVEMENT REMOVAL
-  PAVED SHOULDER REMOVAL
-  APPROACH SLAB REMOVAL



REVISIONS	
NAME	DATE

ILLINOIS DEPARTMENT OF TRANSPORTATION
 I-80/94/US 6
 KINGERY-BORMAN EXPRESSWAY
 BURNHAM ROAD TO US 41
EXISTING PLAN

STA. 9+500 TO STA. 9+850

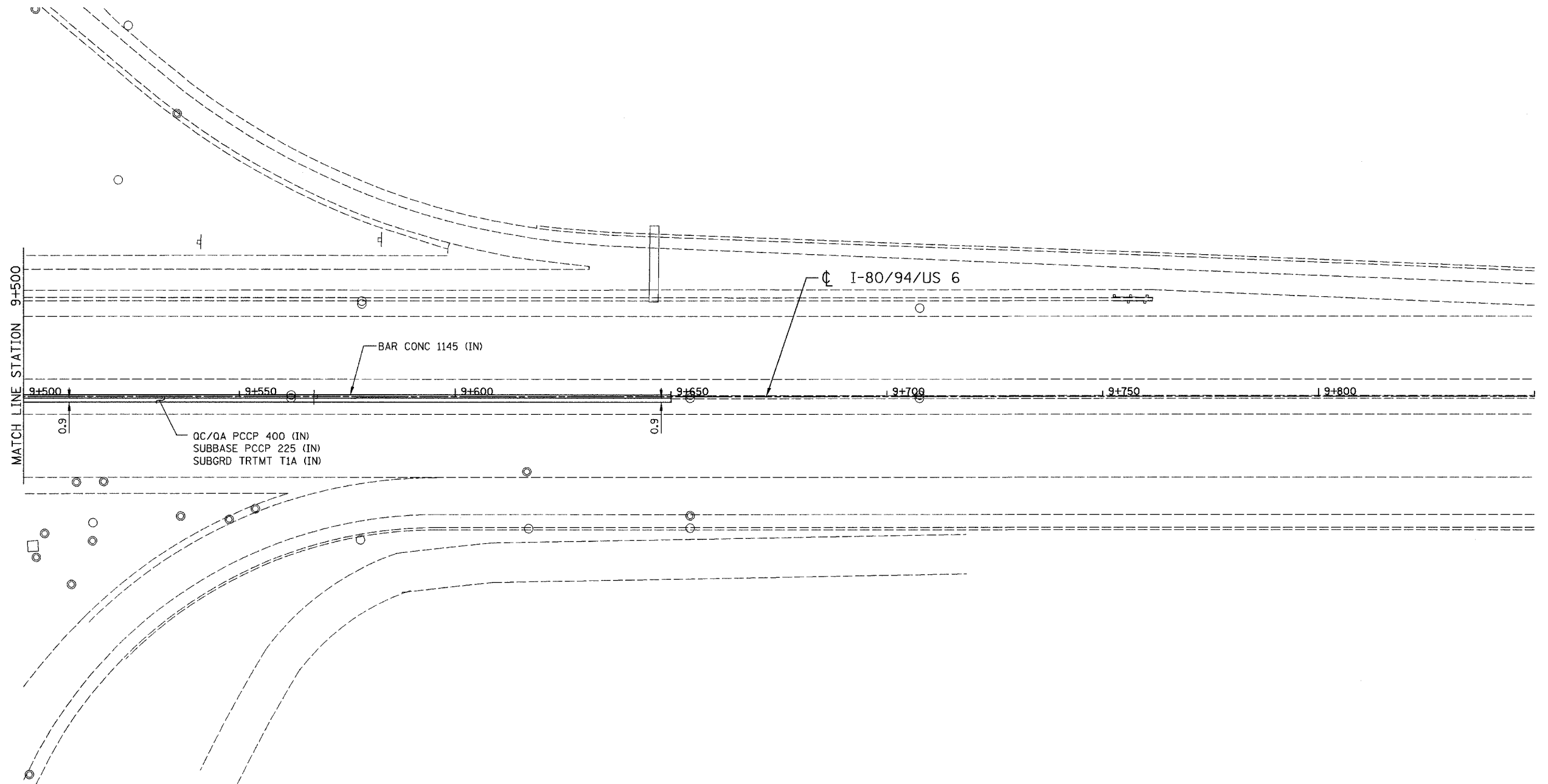
SCALE 1:500
 DATE 07/05

DRAWN BY ACE/CAD
 CHECKED BY TAE



ALL DIMENSIONS IN METERS EXCEPT PAY ITEMS AND UNLESS NOTED OTHERWISE

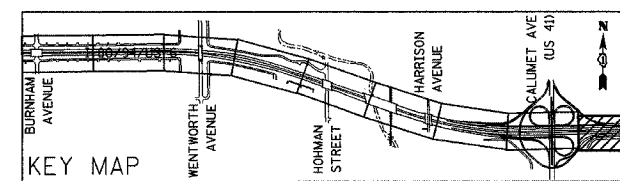
F.A.I. RTE.	SECTION	COUNTY	TOTAL SHEETS	SHEET NO.
80/94	2626.2-R-2	COOK/LAKE	1207	65
STA.		TO STA.		
FED. ROAD DIST. NO.	ILLINOIS	FED. AID PROJECT		
CONTRACT NO. 62114	INDOT DES. NO. 0100987			



PROPOSED LEGEND:

- NOISE ABATEMENT (SOUND) WALL
- QC/QA PCCP 330
- SUBBASE PCCP 225 (IN)
- SUBGRD TRTMT T1A (IN)

NOTE: FOR ELECTRICAL WORK IN CONTRACT, SEE "ELECTRICAL INSTALLATION PLANS".
 FOR ELECTRICAL WORK BY OTHERS, SUBJECT TO CONTRACTOR MODIFICATION,
 SEE "EXISTING LIGHTING PLAN" SHEETS.



REVISIONS	
NAME	DATE

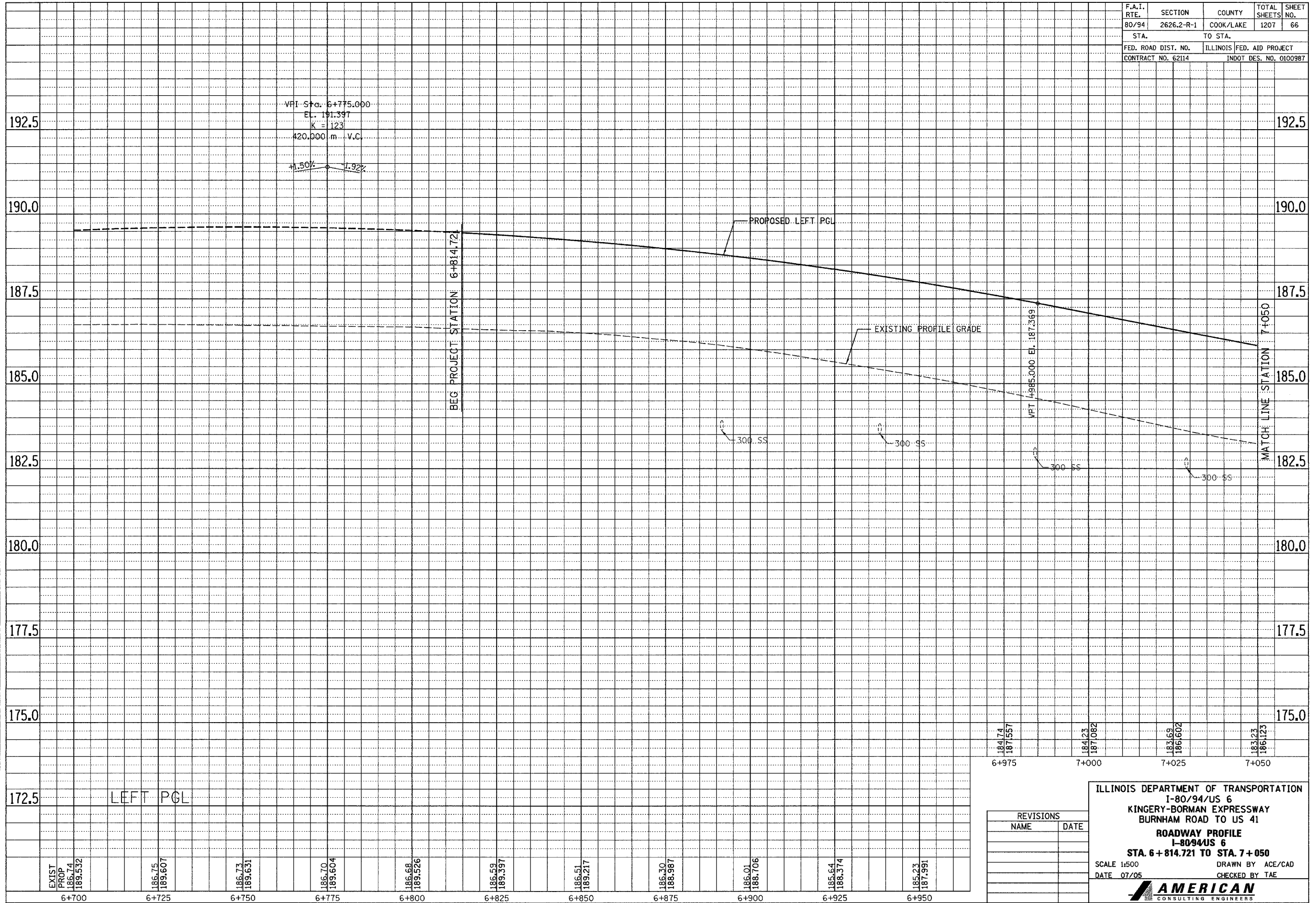
ILLINOIS DEPARTMENT OF TRANSPORTATION
 I-80/94/US 6
 KINGERY-BORMAN EXPRESSWAY
 BURNHAM ROAD TO US 41
PROPOSED PLAN

STA. 9 + 500 TO STA. 9 + 850

SCALE 1:500 DRAWN BY ACE/CAD
 DATE 07/05 CHECKED BY TAE

AMERICAN
 CONSULTING ENGINEERS

F.A.I. RTE. 80/94	SECTION 2626.2-R-1	COUNTY COOK/LAKE	TOTAL SHEETS 1207	SHEET NO. 66
STA.		TO STA.		
FED. ROAD DIST. NO.		ILLINOIS	FED. AID PROJECT	
CONTRACT NO. 62114		INDOT DES. NO. 0100987		



FINAL SURVEY	BY	DATE
SURVEYED		
PLOTTED		
NOTE BOOK TEMPLATE		
AREAS CHECKED		
NO.		

ORIGINAL SURVEY	BY	DATE
SURVEYED		
PLOTTED		
NOTE BOOK TEMPLATE		
AREAS CHECKED		
NO.		

REVISIONS	
NAME	DATE

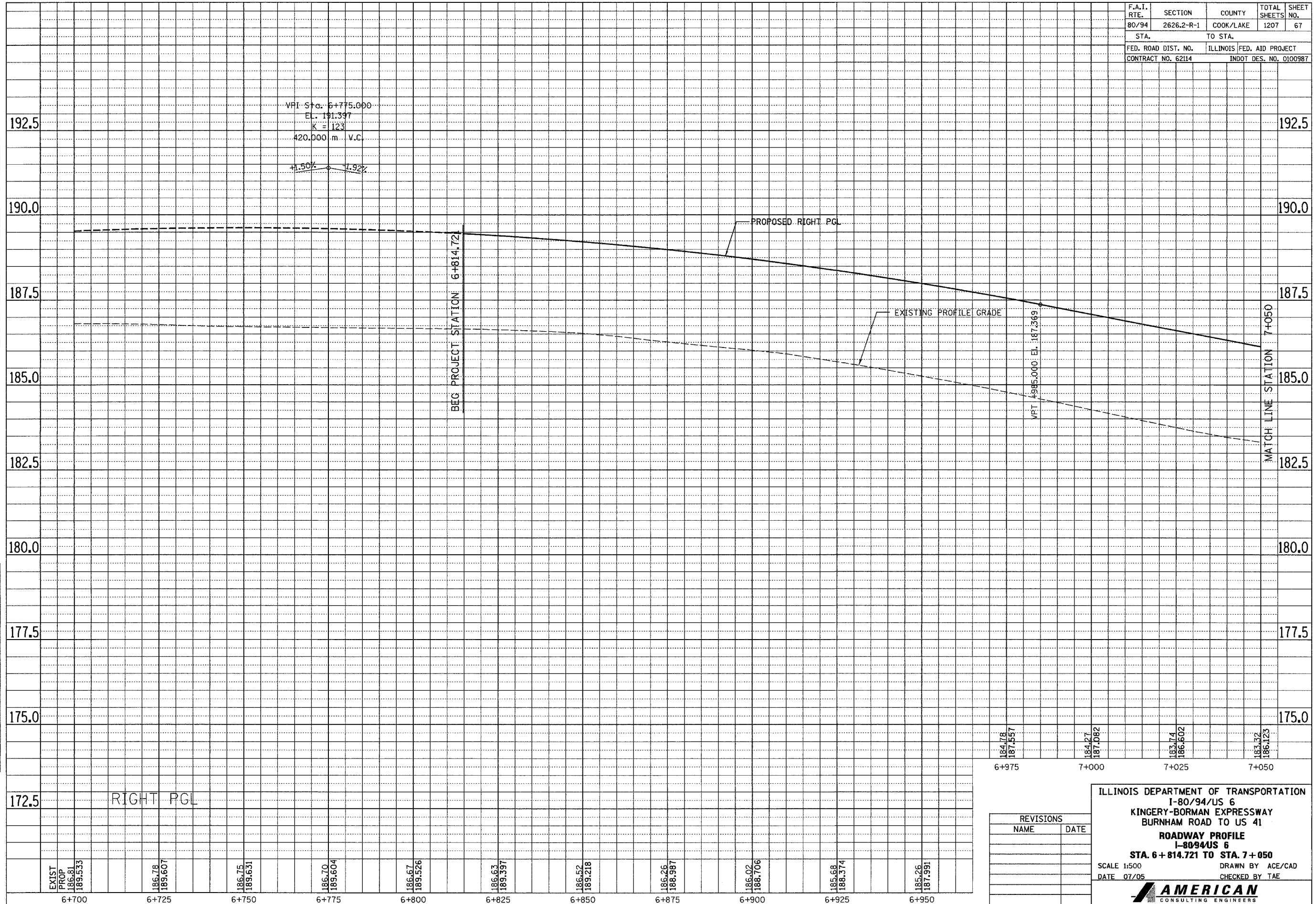
ILLINOIS DEPARTMENT OF TRANSPORTATION
I-80/94/US 6
KINGERY-BORMAN EXPRESSWAY
BURNHAM ROAD TO US 41
ROADWAY PROFILE
I-80/94/US 6
STA. 6+814.721 TO STA. 7+050
SCALE 1:500 DRAWN BY ACE/CAD
DATE 07/05 CHECKED BY TAE

AMERICAN
CONSULTING ENGINEERS

F.A.I. RTE.	SECTION	COUNTY	TOTAL SHEETS	SHEET NO.
80/94	2626.2-R-1	COOK/LAKE	1207	67
STA.		TO STA.		
FED. ROAD DIST. NO.		ILLINOIS FED. AID PROJECT		
CONTRACT NO. 62114		INDOT DES. NO. 0100987		

FINAL SURVEY PLOTTED	BY	DATE
NOTE BOOK TEMPLATE AREAS CHECKED		
NO.		

ORIGINAL SURVEY PLOTTED	BY	DATE
NOTE BOOK TEMPLATE AREAS CHECKED		
NO.		



172.5 RIGHT PGL

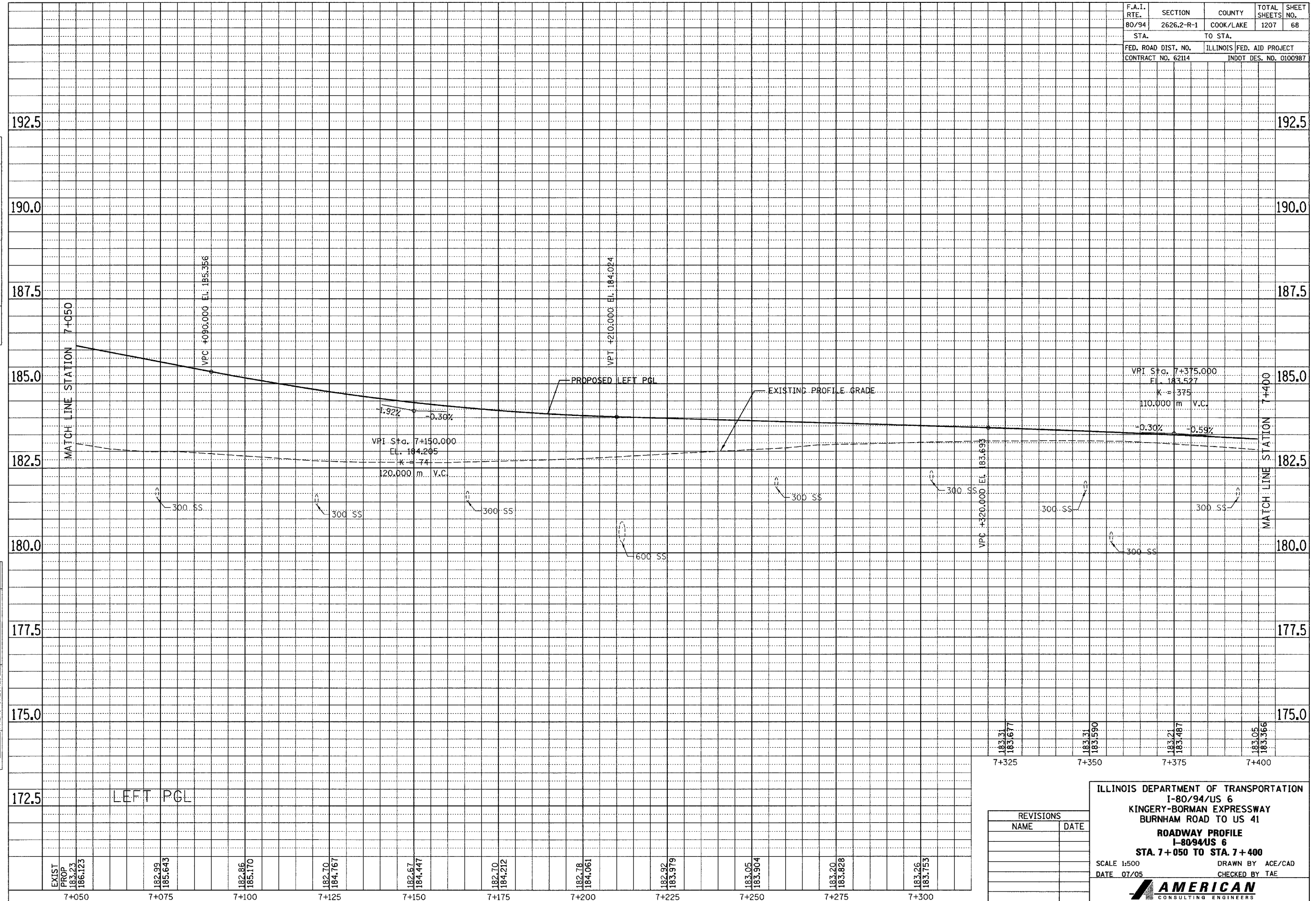
EXIST PROP	186.81	189.533	186.78	189.607	186.75	189.631	186.70	189.604	186.67	189.526	186.63	189.397	186.52	189.218	186.26	188.987	186.02	188.706	185.68	188.374	185.26	187.991
6+700		6+725		6+750		6+775		6+800		6+825		6+850		6+875		6+900		6+925		6+950		

REVISIONS	
NAME	DATE

ILLINOIS DEPARTMENT OF TRANSPORTATION
I-80/94/US 6
KINGERY-BORMAN EXPRESSWAY
BURNHAM ROAD TO US 41
ROADWAY PROFILE
I-8094US 6
STA. 6 + 814.721 TO STA. 7 + 050
SCALE 1:500 DRAWN BY ACE/CAD
DATE 07/05 CHECKED BY TAE

AMERICAN
CONSULTING ENGINEERS

F.A.I. RTE.	SECTION	COUNTY	TOTAL SHEETS	SHEET NO.
80/94	2626.2-R-1	COOK/LAKE	1207	68
STA.		TO STA.		
FED. ROAD DIST. NO.		ILLINOIS FED. AID PROJECT		
CONTRACT NO. 62114		INDOT DES. NO. 0100987		



FINAL SURVEY PLOTTED	BY	DATE
NOTE BOOK TEMPLATE		
AREAS CHECKED		
NO.		

ORIGINAL SURVEY PLOTTED	BY	DATE
NOTE BOOK TEMPLATE		
AREAS CHECKED		
NO.		

EXIST PROP	182.99	182.86	182.70	182.67	182.70	182.78	182.92	183.05	183.20	183.26
183.23	185.643	185.170	184.767	184.447	184.212	184.061	183.979	183.904	183.828	183.753
7+050	7+075	7+100	7+125	7+150	7+175	7+200	7+225	7+250	7+275	7+300

183.31	183.1677	183.31	183.1590	183.21	183.487	183.05	183.366
7+325		7+350		7+375		7+400	

REVISIONS	
NAME	DATE

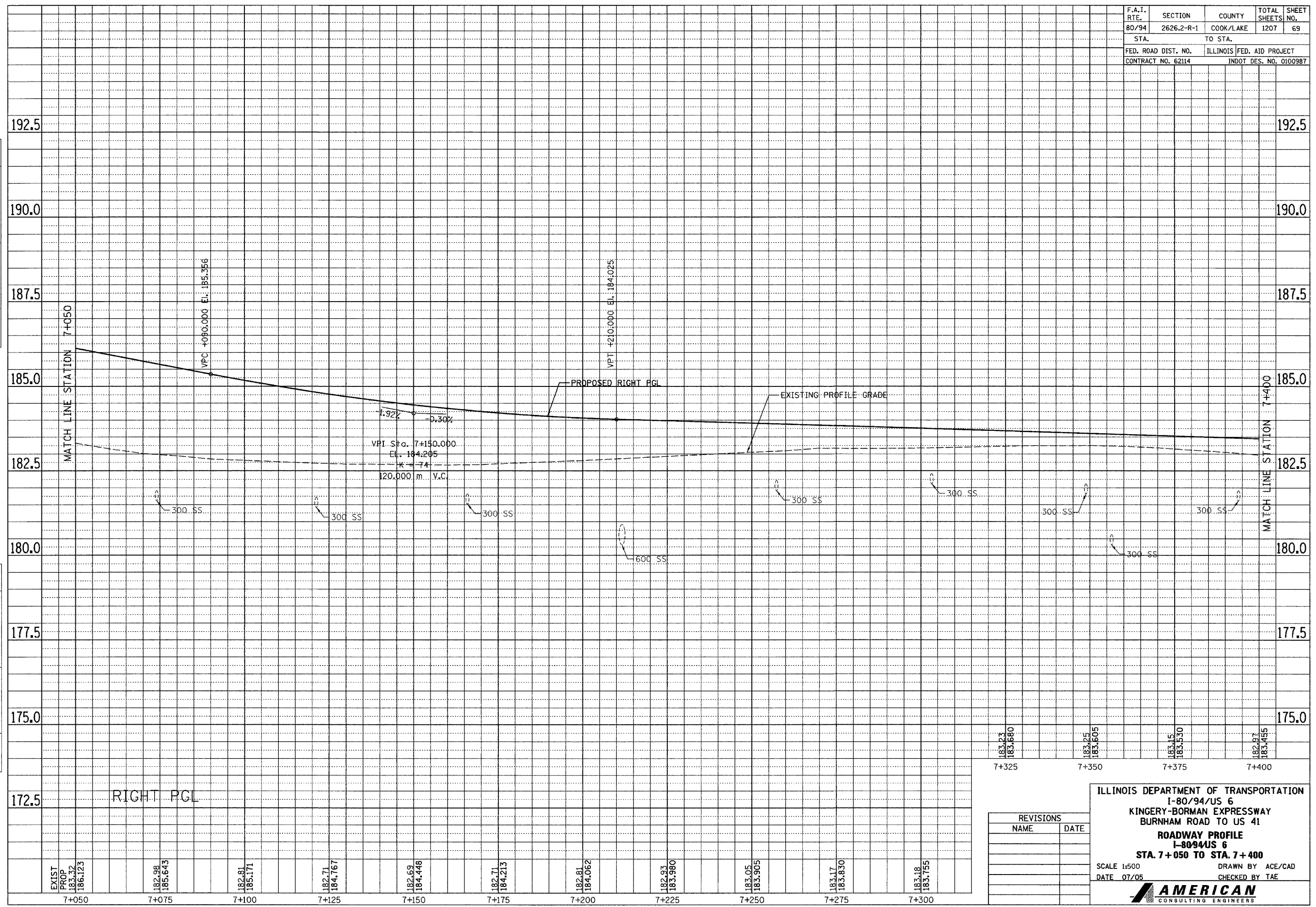
ILLINOIS DEPARTMENT OF TRANSPORTATION
 I-80/94/US 6
 KINGERY-BORMAN EXPRESSWAY
 BURNHAM ROAD TO US 41
ROADWAY PROFILE
 I-80/94/US 6
STA. 7+050 TO STA. 7+400
 SCALE 1:500 DRAWN BY ACE/CAD
 DATE 07/05 CHECKED BY TAE

AMERICAN
 CONSULTING ENGINEERS

F.A.T. RTE. 80/94	SECTION 2626.2-R-1	COUNTY COOK/LAKE	TOTAL SHEETS 1207	SHEET NO. 69
STA. 7+050		TO STA. 7+400		
FED. ROAD DIST. NO. CONTRACT NO. 62114		ILLINOIS FED. AID PROJECT INDOT DES. NO. 0100987		

FINAL SURVEY	SURVEYED	BY	DATE
NOTE BOOK	PLOTTED		
NO.	TEMPLATE		
	AREAS CHECKED		

ORIGINAL SURVEY	SURVEYED	BY	DATE
NOTE BOOK	PLOTTED		
NO.	TEMPLATE		
	AREAS CHECKED		



RIGHT PGL

EXIST PROP	182.98	182.81	182.71	182.69	182.71	182.81	182.93	183.05	183.17	183.18
183.32	185.643	185.171	184.767	184.448	184.213	184.062	183.980	183.905	183.830	183.755
186.123										
7+050	7+075	7+100	7+125	7+150	7+175	7+200	7+225	7+250	7+275	7+300

183.23	183.15	183.05	182.97
183.680	183.550	183.465	183.465
7+325	7+350	7+375	7+400

REVISIONS	
NAME	DATE

ILLINOIS DEPARTMENT OF TRANSPORTATION
I-80/94/US 6
KINGERY-BORMAN EXPRESSWAY
BURNHAM ROAD TO US 41
ROADWAY PROFILE
I-80/94/US 6
STA. 7+050 TO STA. 7+400

SCALE 1:500
DATE 07/05

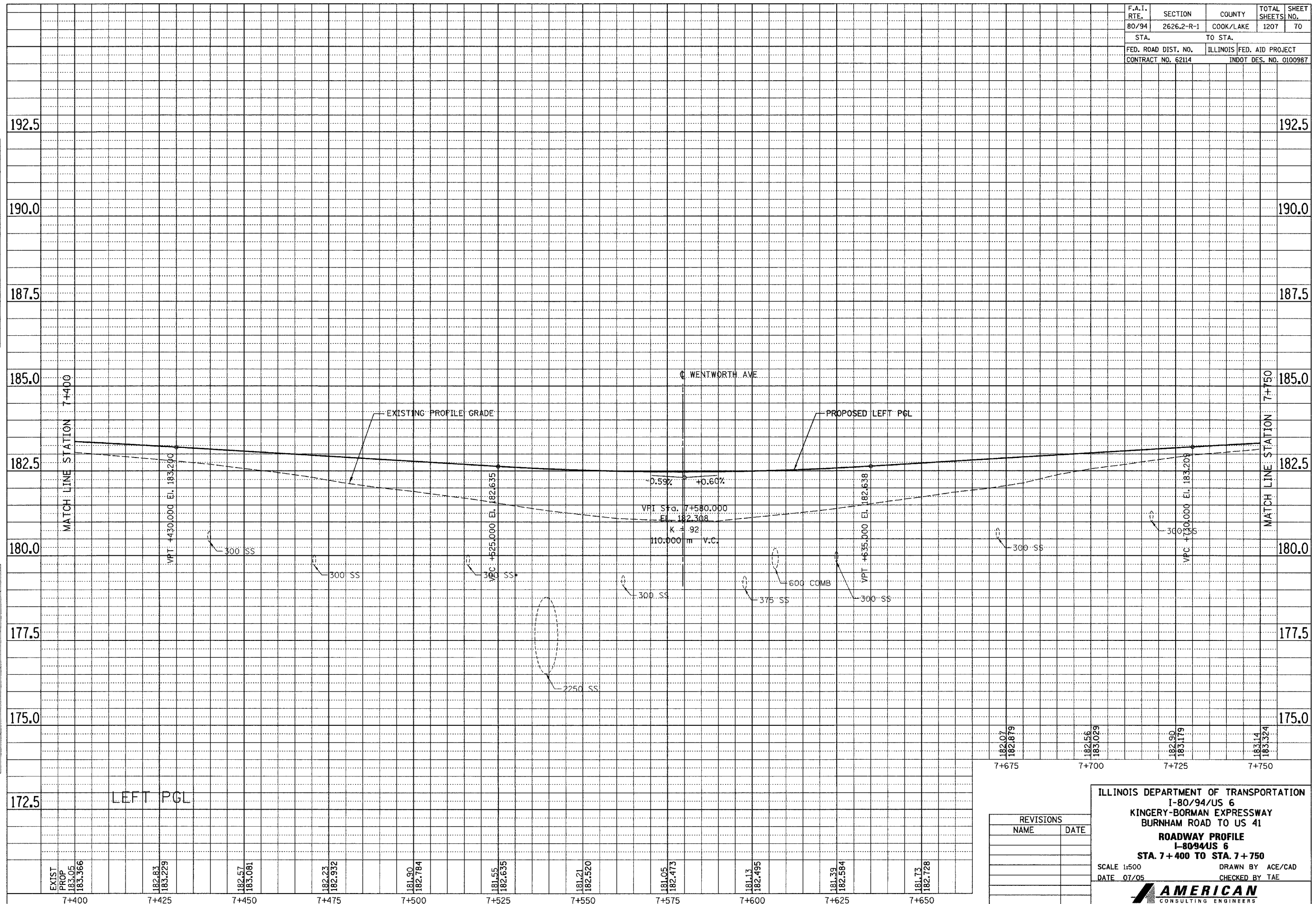
DRAWN BY ACE/CAD
CHECKED BY TAE

AMERICAN
CONSULTING ENGINEERS

F.A.I. RTE. 80/94	SECTION 2626.2-R-1	COUNTY COOK/LAKE	TOTAL SHEETS 1207	SHEET NO. 70
STA.		TO STA.		
FED. ROAD DIST. NO.		ILLINOIS FED. AID PROJECT		
CONTRACT NO. 62114		INDOT DES. NO. 0100987		

FINAL SURVEY	BY	DATE
SURVEYED		
PLOTTED		
NOTE BOOK		
NO.		
AREAS CHECKED		

ORIGINAL SURVEY	BY	DATE
SURVEYED		
PLOTTED		
NOTE BOOK		
NO.		
AREAS CHECKED		



EXIST PROP	181.83	182.57	182.23	181.90	181.55	181.21	181.05	181.13	181.39	181.73
183.05	183.229	183.081	182.932	182.784	182.635	182.520	182.473	182.495	182.584	182.728
183.366										
7+400	7+425	7+450	7+475	7+500	7+525	7+550	7+575	7+600	7+625	7+650

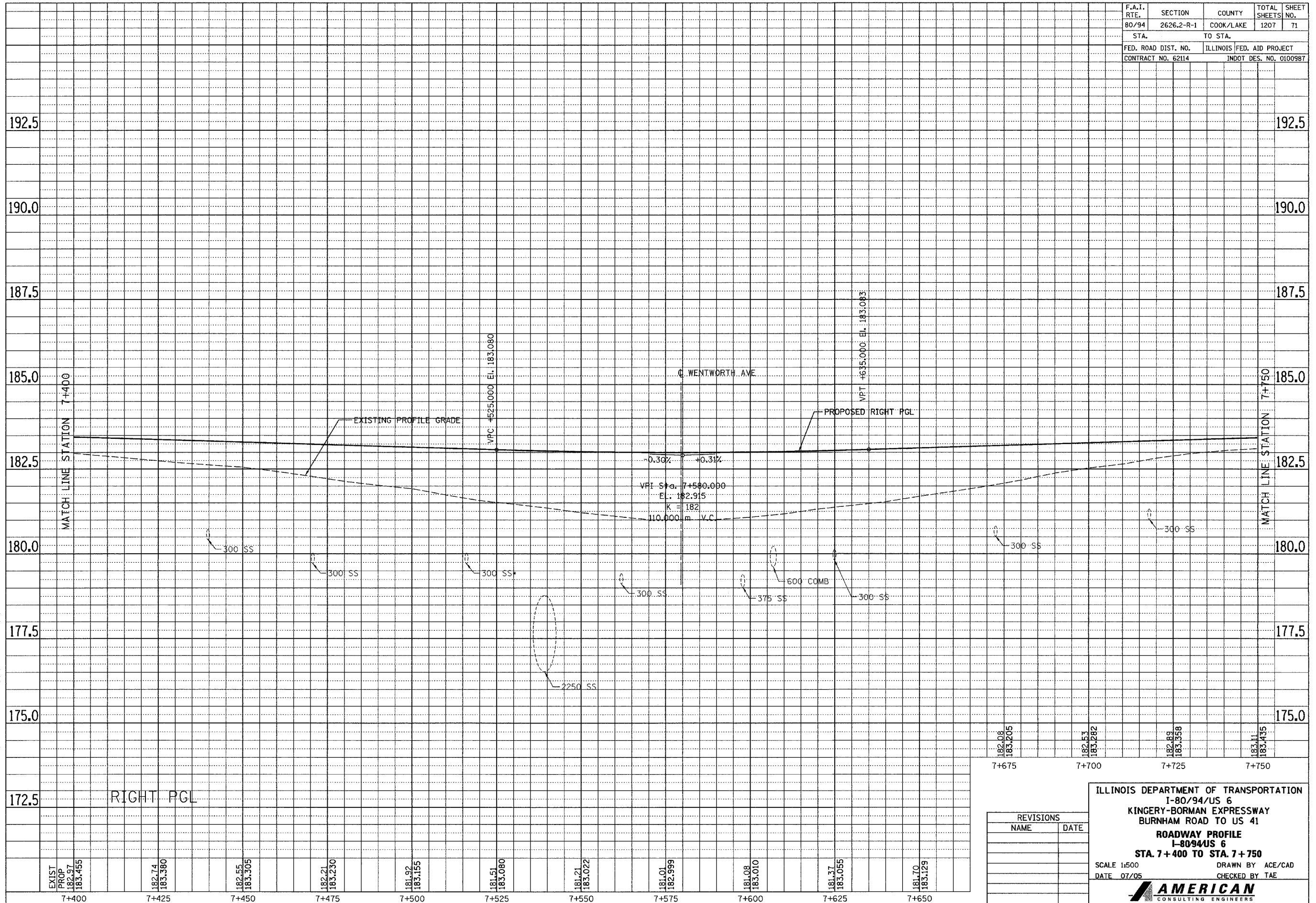
182.07	182.56	182.90	183.14
182.879	183.029	183.179	183.324
7+675	7+700	7+725	7+750

REVISIONS	
NAME	DATE

ILLINOIS DEPARTMENT OF TRANSPORTATION
I-80/94/US 6
KINGERY-BORMAN EXPRESSWAY
BURNHAM ROAD TO US 41
ROADWAY PROFILE
I-8094/US 6
STA. 7+400 TO STA. 7+750
SCALE 1:500
DATE 07/05
DRAWN BY ACE/CAD
CHECKED BY TAE

AMERICAN
CONSULTING ENGINEERS

F.A.I. RTE. 80/94	SECTION 2626.2-R-1	COUNTY COOK/LAKE	TOTAL SHEETS 1207	SHEET NO. 71
STA.		TO STA.		
FED. ROAD DIST. NO.		ILLINOIS FED. AID PROJECT		
CONTRACT NO. 62114		INDOT DES. NO. 0100987		



FINAL SURVEY PLOTTED	BY	DATE
NOTE BOOK TEMPLATE AREAS CHECKED		
NO.		

ORIGINAL SURVEY PLOTTED	BY	DATE
NOTE BOOK TEMPLATE AREAS CHECKED		
NO.		

182.08 183.205	182.53 183.282	182.89 183.358	183.11 183.435
7+675	7+700	7+725	7+750

EXIST PROP 182.97 183.455	182.74 183.380	182.55 183.305	182.21 183.230	181.92 183.155	181.51 183.080	181.21 183.022	181.01 182.999	181.08 183.010	181.37 183.055	181.70 183.129
7+400	7+425	7+450	7+475	7+500	7+525	7+550	7+575	7+600	7+625	7+650

REVISIONS	
NAME	DATE

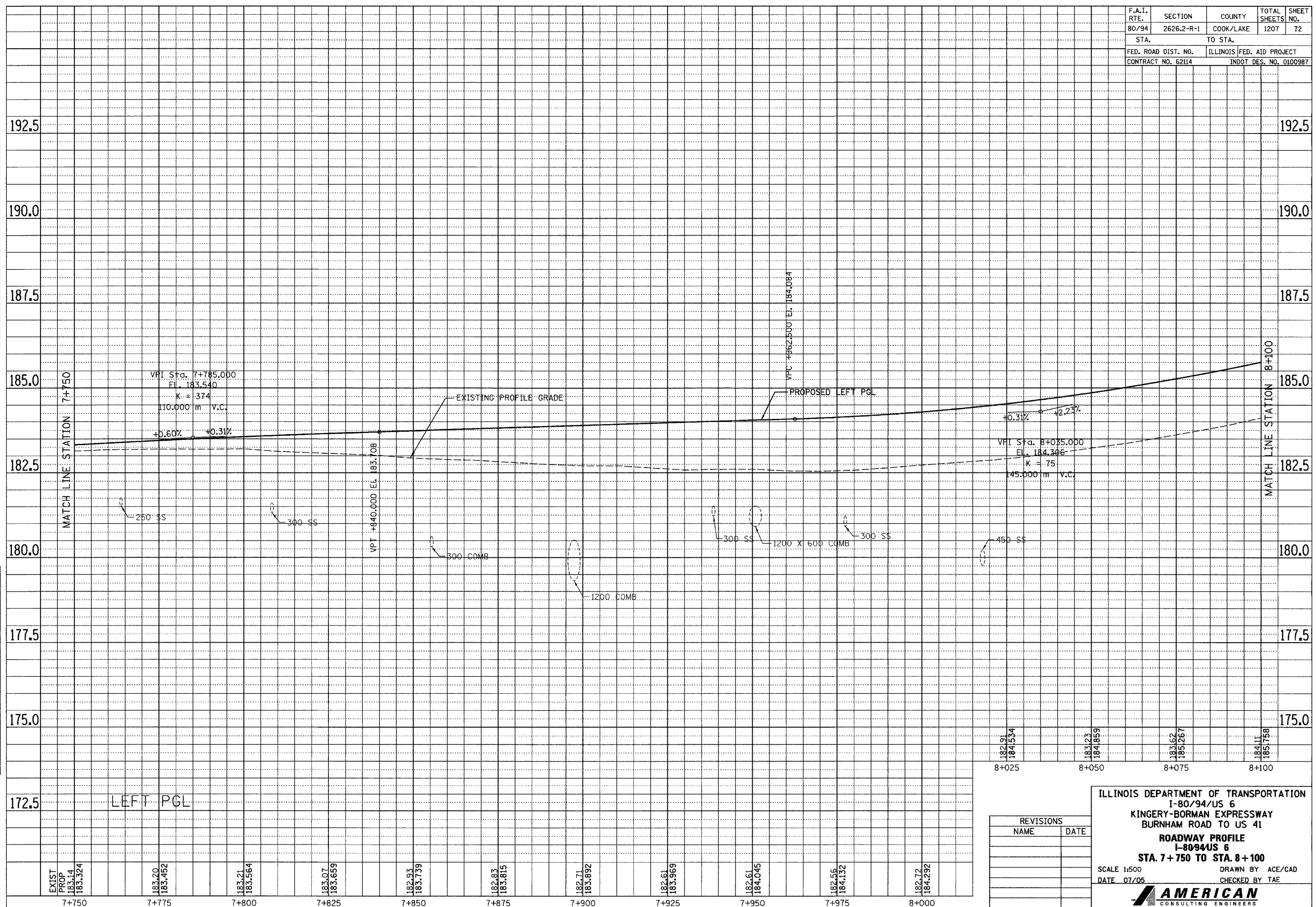
ILLINOIS DEPARTMENT OF TRANSPORTATION
I-80/94/US 6
KINGERY-BORMAN EXPRESSWAY
BURNHAM ROAD TO US 41
ROADWAY PROFILE
I-80/94/US 6
STA. 7+400 TO STA. 7+750
SCALE 1:500
DATE 07/05
DRAWN BY ACE/CAD
CHECKED BY TAE

AMERICAN
CONSULTING ENGINEERS

F.A.I. RTE. 80/94	SECTION 2626.2-R-1	COUNTY COOK/LAKE	TOTAL SHEETS 1207	SHEET NO. 72
STA.		TO STA.		
FED. ROAD DIST. NO.		ILLINOIS FED. AID PROJECT		
CONTRACT NO. 62114		INDOT DES. NO. 0100987		

FINAL SURVEY PLOTTED	BY	DATE
NOTE BOOK TEMPLATE AREAS CHECKED		
NO.		

ORIGINAL SURVEY PLOTTED	BY	DATE
NOTE BOOK TEMPLATE AREAS CHECKED		
NO.		



182.91	184.1534	183.23	184.859	183.62	185.267	184.11	185.788
8+025		8+050		8+075		8+100	

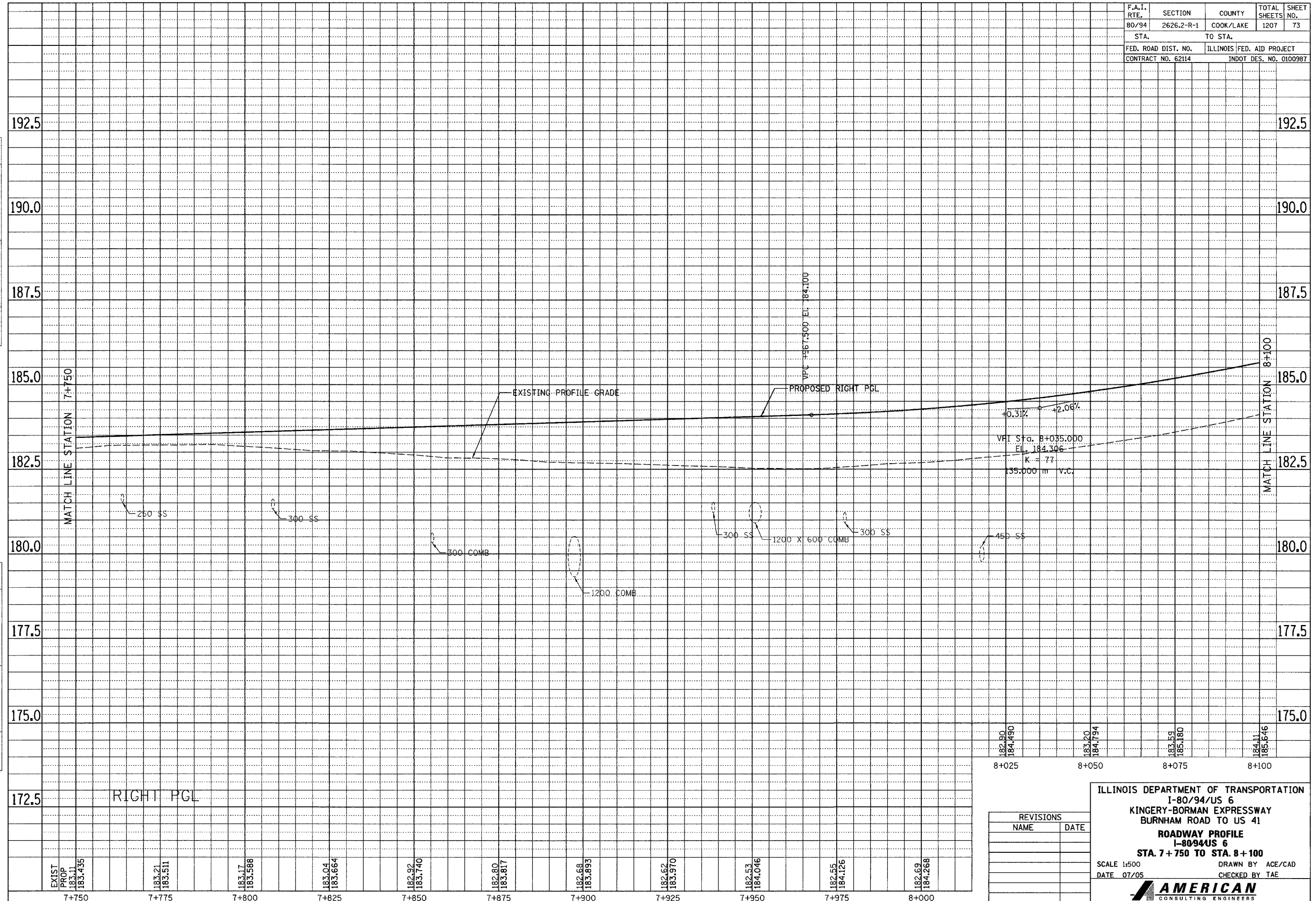
REVISIONS	
NAME	DATE

ILLINOIS DEPARTMENT OF TRANSPORTATION
 I-80/94/US 6
 KINGERY-BORMAN EXPRESSWAY
 BURNHAM ROAD TO US 41
ROADWAY PROFILE
 I-80/94/US 6
STA. 7+750 TO STA. 8+100
 SCALE 1:500
 DATE 07/05
 DRAWN BY ACE/CAD
 CHECKED BY TAE
AMERICAN
 CONSULTING ENGINEERS

F.A.I. RTE. 80/94	SECTION 2626.2-R-1	COUNTY COOK/LAKE	TOTAL SHEETS 1207	SHEET NO. 73
STA. 7+750		TO STA. 8+100		
FED. ROAD DIST. NO. CONTRACT NO. 62114		ILLINOIS FED. AID PROJECT INDOT DES. NO. 0100987		

FINAL SURVEY PLOTTED	BY	DATE
NOTE BOOK TEMPLATE		
AREAS CHECKED		
NO.		

ORIGINAL SURVEY PLOTTED	BY	DATE
NOTE BOOK TEMPLATE		
AREAS CHECKED		
NO.		



182.90	183.20	183.59	184.11
184.490	184.794	185.180	185.646
8+025	8+050	8+075	8+100

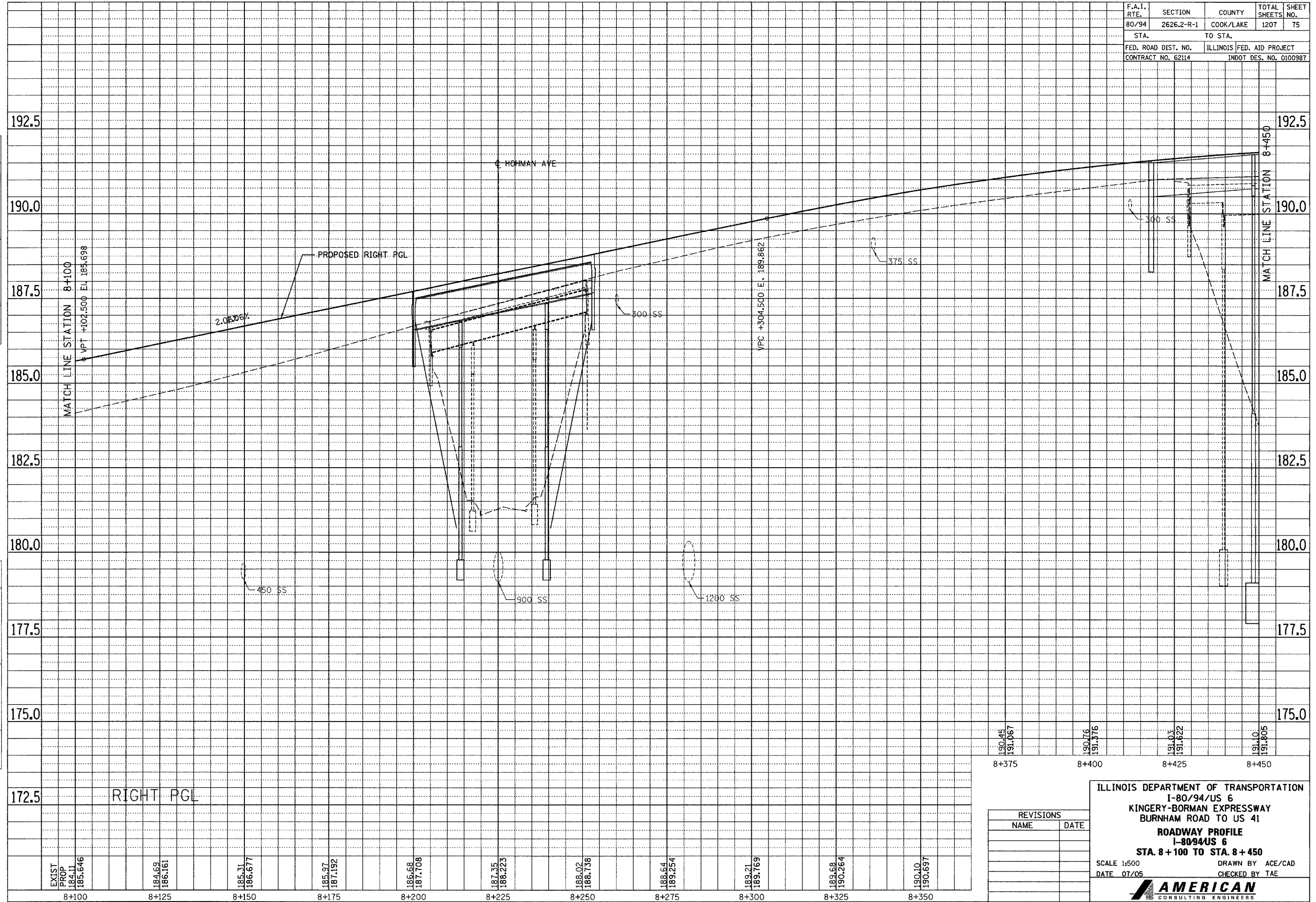
REVISIONS	
NAME	DATE

ILLINOIS DEPARTMENT OF TRANSPORTATION
I-80/94/US 6
KINGERY-BORMAN EXPRESSWAY
BURNHAM ROAD TO US 41
ROADWAY PROFILE
I-80/94/US 6
STA. 7+750 TO STA. 8+100
SCALE 1:500
DATE 07/05
DRAWN BY ACE/CAD
CHECKED BY TAE

AMERICAN
CONSULTING ENGINEERS

EXIST PROP	183.21	183.17	183.04	182.92	182.80	182.68	182.52	182.53	182.55	182.69
183.11	183.511	183.588	183.664	183.740	183.817	183.893	183.970	184.046	184.126	184.268
7+750	7+775	7+800	7+825	7+850	7+875	7+900	7+925	7+950	7+975	8+000

F.A.I. RTE. 80/94	SECTION 2626.2-R-1	COUNTY COOK/LAKE	TOTAL SHEETS 1207	SHEET NO. 75
STA.		TO STA.		
FED. ROAD DIST. NO.		ILLINOIS FED. AID PROJECT		
CONTRACT NO. 62114		INDOT DES. NO. 0100987		



FINAL SURVEYED	BY	DATE
SURVEY PLOTTED		
NOTE BOOK		
TEMPLATE		
AREAS CHECKED		
NO.		

ORIGINAL SURVEYED	BY	DATE
SURVEY PLOTTED		
NOTE BOOK		
TEMPLATE		
AREAS CHECKED		
NO.		

EXIST PROP	184.11	185.31	185.97	186.68	187.35	188.02	188.64	189.21	189.88	190.10
	185.646	186.161	187.192	187.708	188.223	188.738	189.254	189.769	190.284	190.697
8+100	8+125	8+150	8+175	8+200	8+225	8+250	8+275	8+300	8+325	8+350

180.45	190.76	191.03	191.10
191.067	191.376	191.622	191.805
8+375	8+400	8+425	8+450

REVISIONS	
NAME	DATE

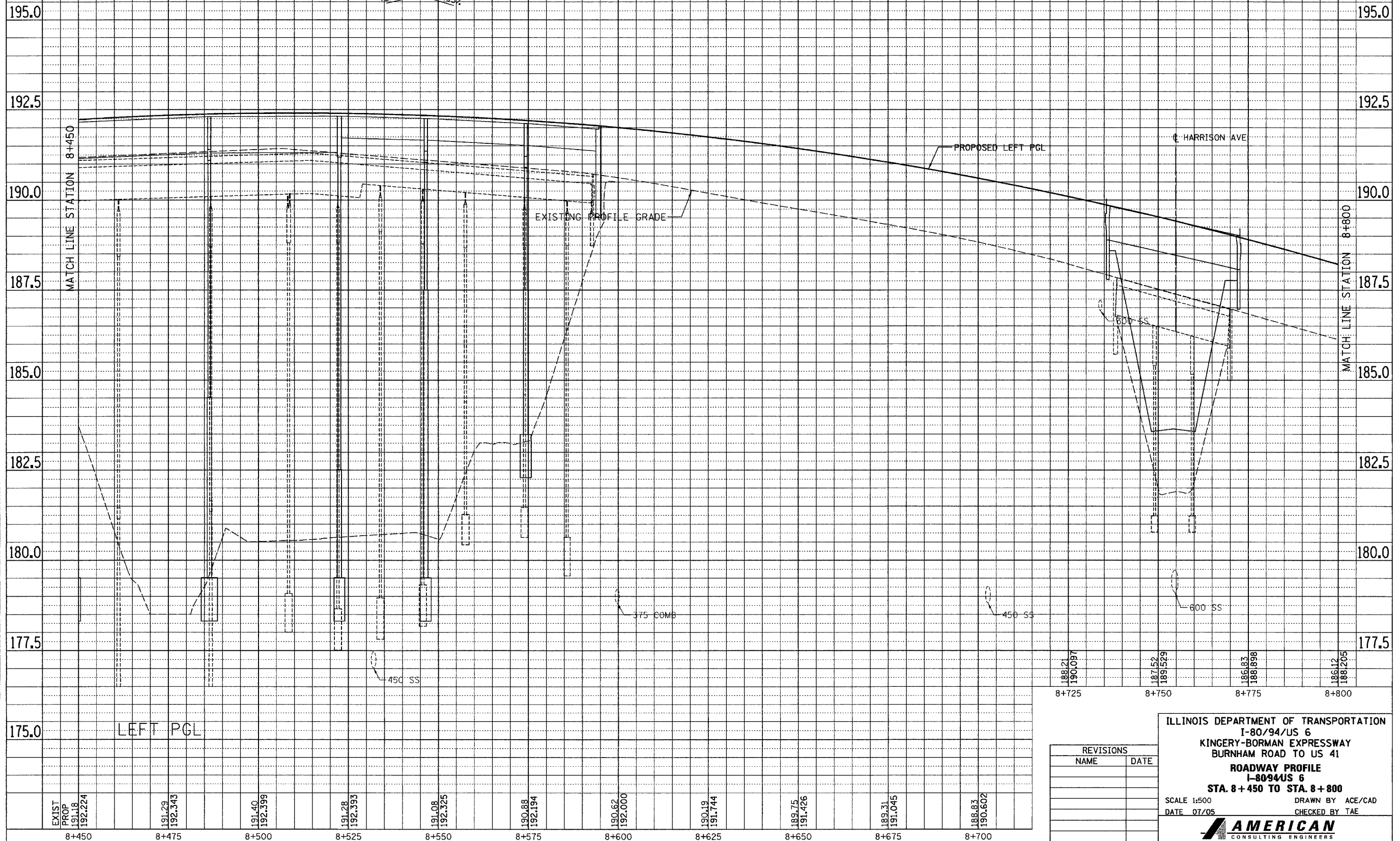
ILLINOIS DEPARTMENT OF TRANSPORTATION
I-80/94/US 6
KINGERY-BORMAN EXPRESSWAY
BURNHAM ROAD TO US 41
ROADWAY PROFILE
I-80/94/US 6
STA. 8+100 TO STA. 8+450
SCALE 1:500
DATE 07/05
DRAWN BY ACE/CAD
CHECKED BY TAE

AMERICAN
CONSULTING ENGINEERS

F.A.I. RTE. 80/94	SECTION 2626.2-R-1	COUNTY COOK/LAKE	TOTAL SHEETS 1207	SHEET NO. 76
STA. 8+450		TO STA. 8+800		
FED. ROAD DIST. NO.		ILLINOIS FED. AID PROJECT		
CONTRACT NO. 62114		INDOT DES. NO. 0100987		

VPI Sta. 8+545.000
 EL.: 195.668
 K = 100
 516.000 m V.C.

+2.23% -2.93%



FINAL SURVEY PLOTTED	BY	DATE
NOTE BOOK TEMPLATE		
AREAS CHECKED		
NO.		

ORIGINAL SURVEY PLOTTED	BY	DATE
NOTE BOOK TEMPLATE		
AREAS CHECKED		
NO.		

188.21	8+725
190.097	
187.52	8+750
189.529	
186.83	8+775
188.898	
186.12	8+800
188.205	

REVISIONS	
NAME	DATE

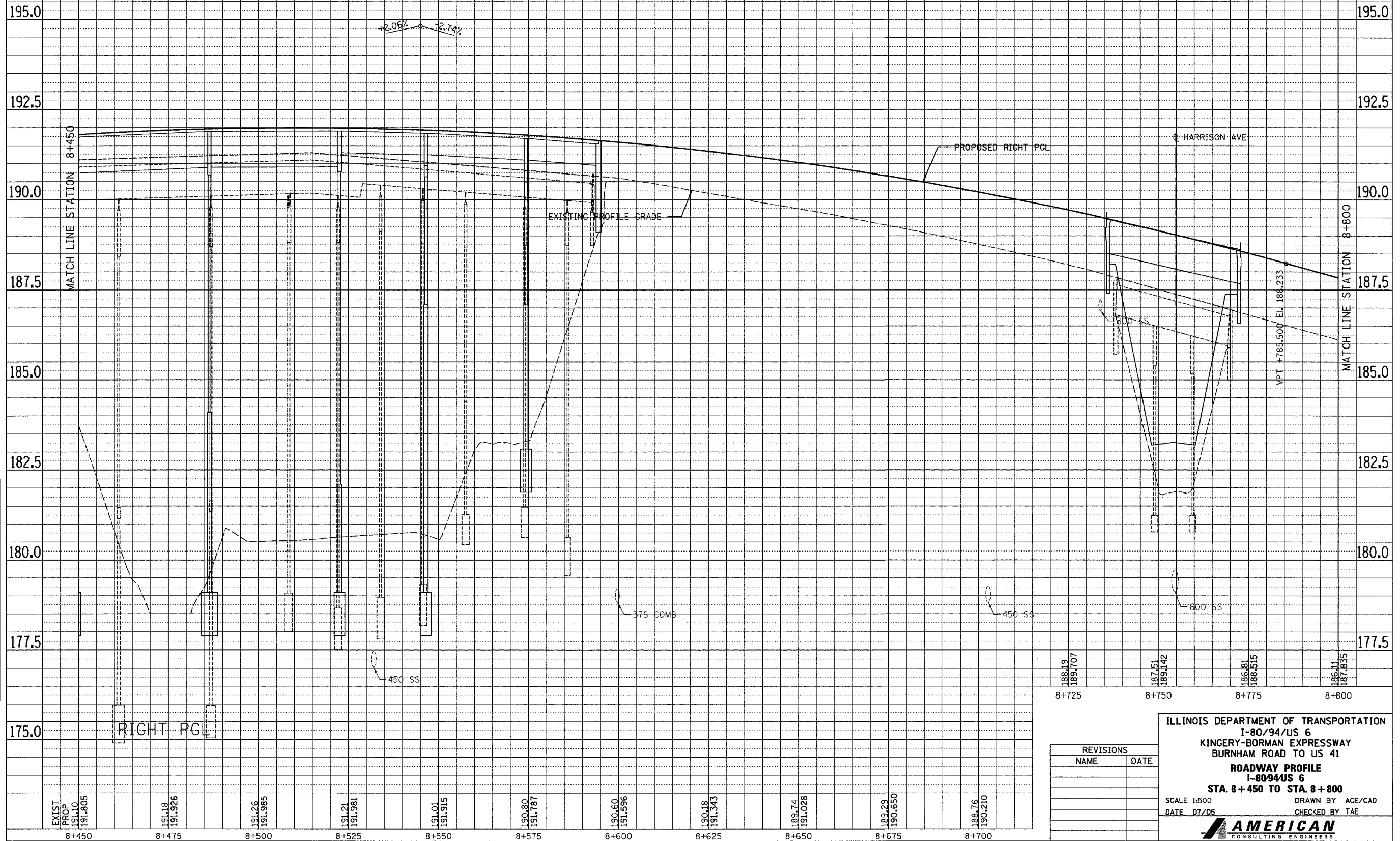
ILLINOIS DEPARTMENT OF TRANSPORTATION
 I-80/94/US 6
 KINGERY-BORMAN EXPRESSWAY
 BURNHAM ROAD TO US 41
ROADWAY PROFILE
 I-80/94/US 6
STA. 8+450 TO STA. 8+800
 SCALE 1:500 DRAWN BY ACE/CAD
 DATE 07/05 CHECKED BY TAE

AMERICAN
 CONSULTING ENGINEERS

F.A.I. RTE.	SECTION	COUNTY	TOTAL SHEETS	SHEET NO.
80/94	2626.2-R-1	COOK/LAKE	1207	77
STA.		TO STA.		
FED. ROAD DIST. NO.		ILLINOIS FED. AID PROJECT		
CONTRACT NO. 62114		INDOT DES. NO. 0100987		

VPI Sta. 8+545.000
 EL. 194.820
 K = 100
 481.000 m V.C.

+2.06% -2.74%



FINAL SURVEY PLOTTED	BY	DATE
NOTE BOOK TEMPLATE		
AREAS CHECKED		
NO.		

ORIGINAL SURVEY PLOTTED	BY	DATE
NOTE BOOK TEMPLATE		
AREAS CHECKED		
NO.		

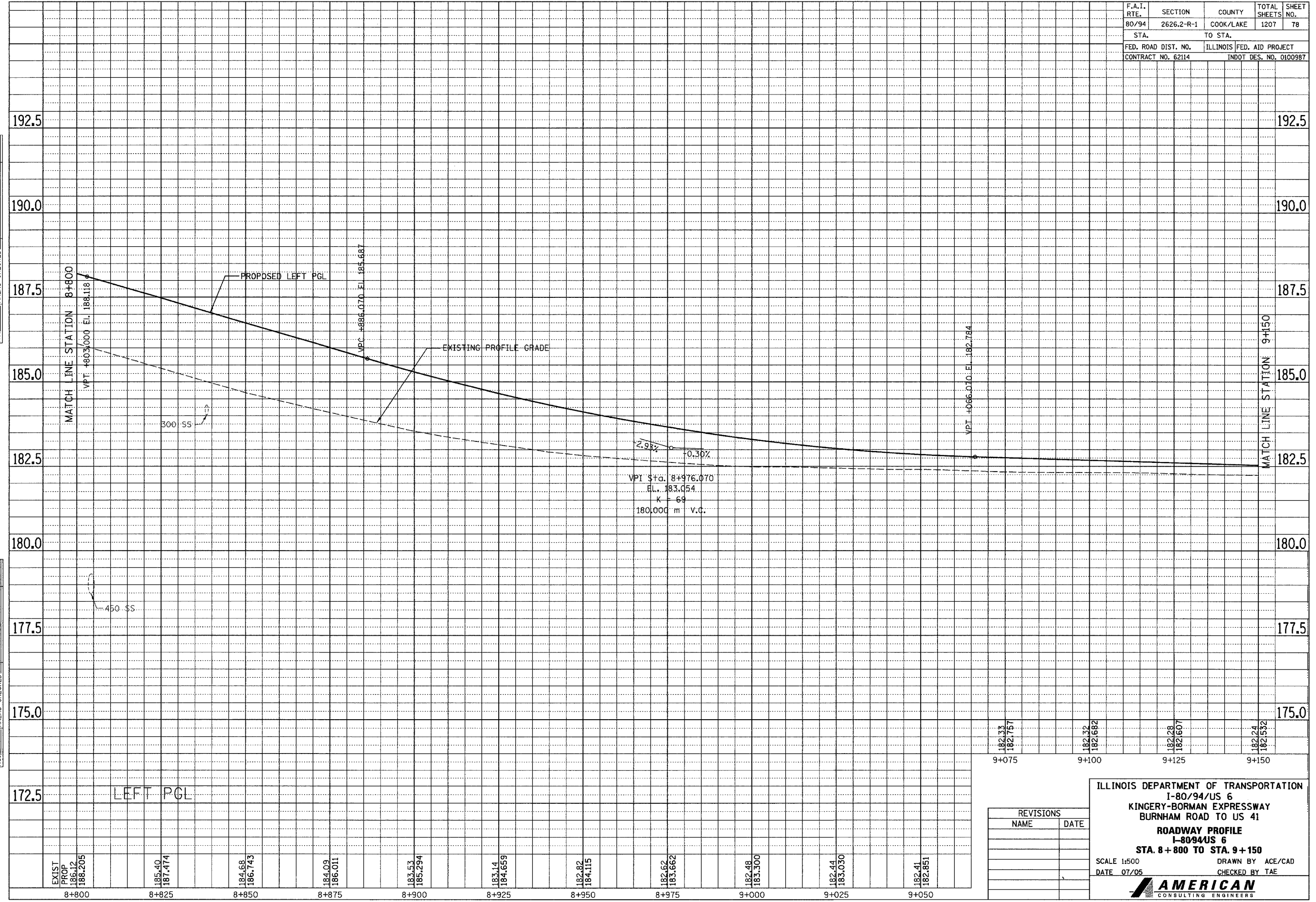
188.19	189.107	187.51	189.142	186.81	188.515	186.11	187.835
8+725		8+750		8+775		8+800	

REVISIONS	
NAME	DATE

ILLINOIS DEPARTMENT OF TRANSPORTATION
 I-80/94/US 6
 KINGERY-BORMAN EXPRESSWAY
 BURNHAM ROAD TO US 41
ROADWAY PROFILE
 I-80/94/US 6
STA. 8+450 TO STA. 8+800
 SCALE 1:500 DRAWN BY ACE/CAD
 DATE 07/05 CHECKED BY TAE

AMERICAN
 CONSULTING ENGINEERS

F.A.I. RTE.	SECTION	COUNTY	TOTAL SHEETS	SHEET NO.
80/94	2626.2-R-1	COOK/LAKE	1207	78
STA.		TO STA.		
FED. ROAD DIST. NO.		ILLINOIS FED. AID PROJECT		
CONTRACT NO. 62114		INDOT DES. NO. 0100987		



FINAL SURVEYED SURVEY PLOTTED NO. _____	BY _____	DATE _____
NOTE BOOK TEMPLATE AREAS CHECKED		

ORIGINAL SURVEYED SURVEY PLOTTED NO. _____	BY _____	DATE _____
NOTE BOOK TEMPLATE AREAS CHECKED		

EXIST PROP	185.40	184.68	184.09	183.53	183.14	182.82	182.62	182.48	182.44	182.41
8+800	8+825	8+850	8+875	8+900	8+925	8+950	8+975	9+000	9+025	9+050

182.33	182.32	182.28	182.24
182.757	182.682	182.607	182.532
9+075	9+100	9+125	9+150

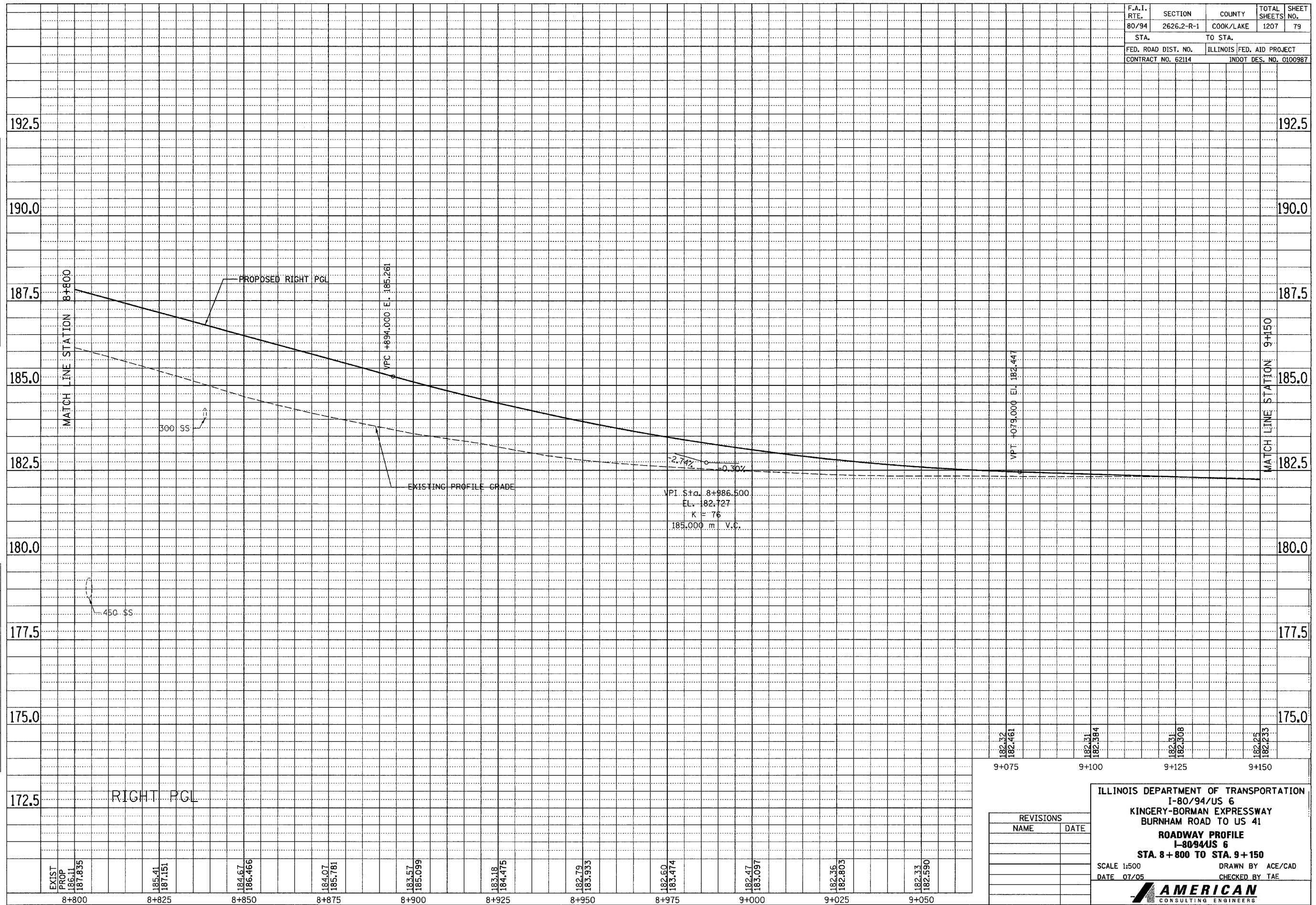
REVISIONS	
NAME	DATE

ILLINOIS DEPARTMENT OF TRANSPORTATION
I-80/94/US 6
KINGERY-BORMAN EXPRESSWAY
BURNHAM ROAD TO US 41
ROADWAY PROFILE
I-80/94/US 6
STA. 8+800 TO STA. 9+150
SCALE 1:500
DATE 07/05
DRAWN BY ACE/CAD
CHECKED BY TAE

F.A.I. RTE. 80/94	SECTION 2626.2-R-1	COUNTY COOK/LAKE	TOTAL SHEETS 1207	SHEET NO. 79
STA.		TO STA.		
FED. ROAD DIST. NO.		ILLINOIS FED. AID PROJECT		
CONTRACT NO. 62114		INDOT DES. NO. 0100987		

FINAL SURVEY PLOTTED	BY	DATE
NOTE BOOK TEMPLATE NO.		
AREAS CHECKED		

ORIGINAL SURVEY PLOTTED	BY	DATE
NOTE BOOK TEMPLATE NO.		
AREAS CHECKED		



REVISIONS	
NAME	DATE

ILLINOIS DEPARTMENT OF TRANSPORTATION
I-80/94/US 6
KINGERY-BORMAN EXPRESSWAY
BURNHAM ROAD TO US 41
ROADWAY PROFILE
I-80/94/US 6
STA. 8+800 TO STA. 9+150

SCALE 1:500
DATE 07/05

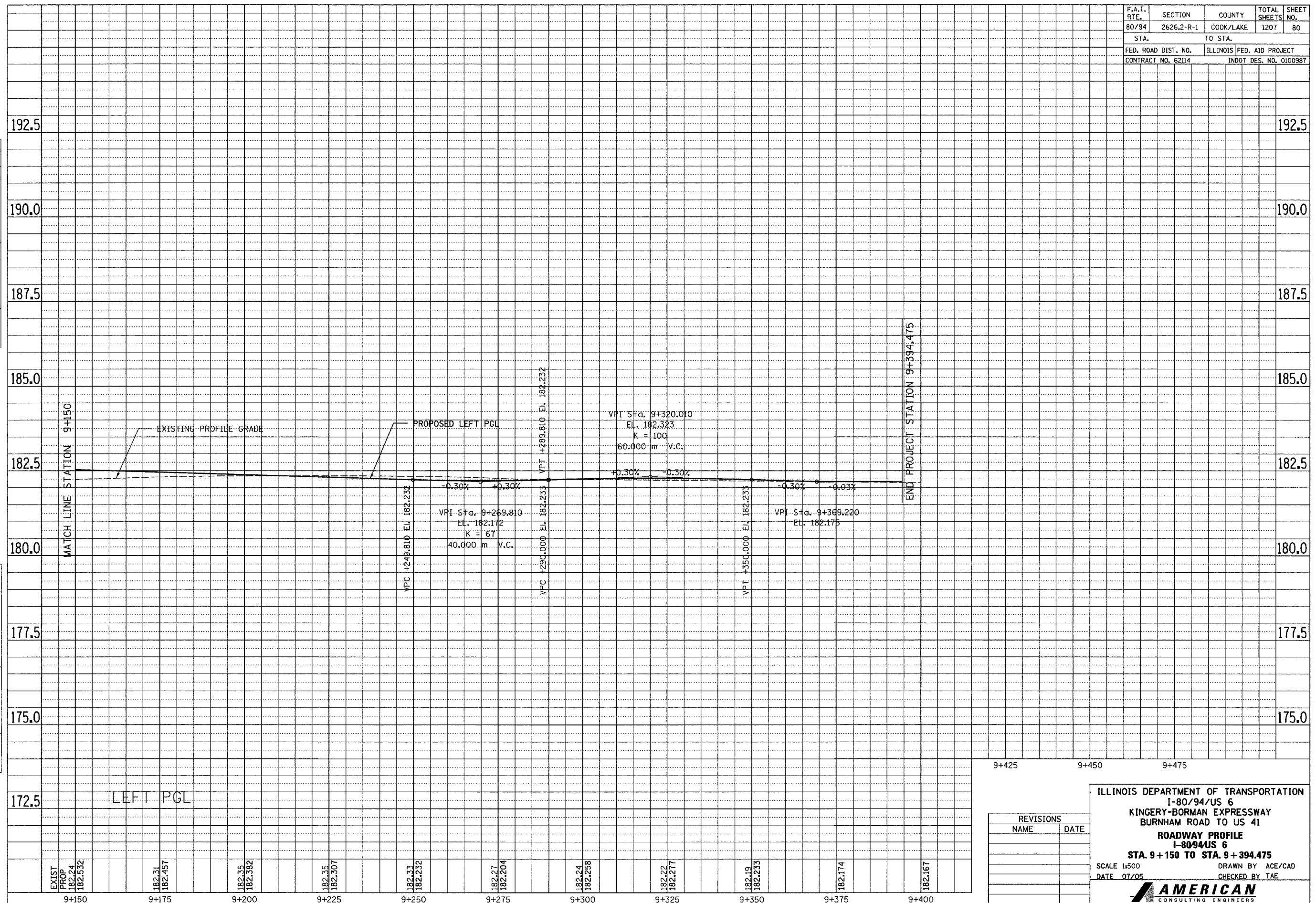
DRAWN BY ACE/CAD
CHECKED BY TAE

AMERICAN
CONSULTING ENGINEERS

F.A.I. RTE. 80/94	SECTION 2626.2-R-1	COUNTY COOK/LAKE	TOTAL SHEETS 1207	SHEET NO. 80
STA.		TO STA.		
FED. ROAD DIST. NO.		ILLINOIS FED. AID PROJECT		
CONTRACT NO. 62114		INDOT DES. NO. 0100987		

FINAL SURVEY	SURVEYED	BY	DATE
NOTE BOOK NO.	PLOTTED		
	TEMPLATE		
	AREAS CHECKED		

ORIGINAL SURVEY	SURVEYED	BY	DATE
NOTE BOOK NO.	PLOTTED		
	TEMPLATE		
	AREAS CHECKED		



9+425	9+450	9+475
-------	-------	-------

ILLINOIS DEPARTMENT OF TRANSPORTATION
I-80/94/US 6
KINGERY-BORMAN EXPRESSWAY
BURNHAM ROAD TO US 41
ROADWAY PROFILE
I-80/94/US 6
STA. 9+150 TO STA. 9+394.475

SCALE 1:500 DRAWN BY ACE/CAD
DATE 07/05 CHECKED BY TAE

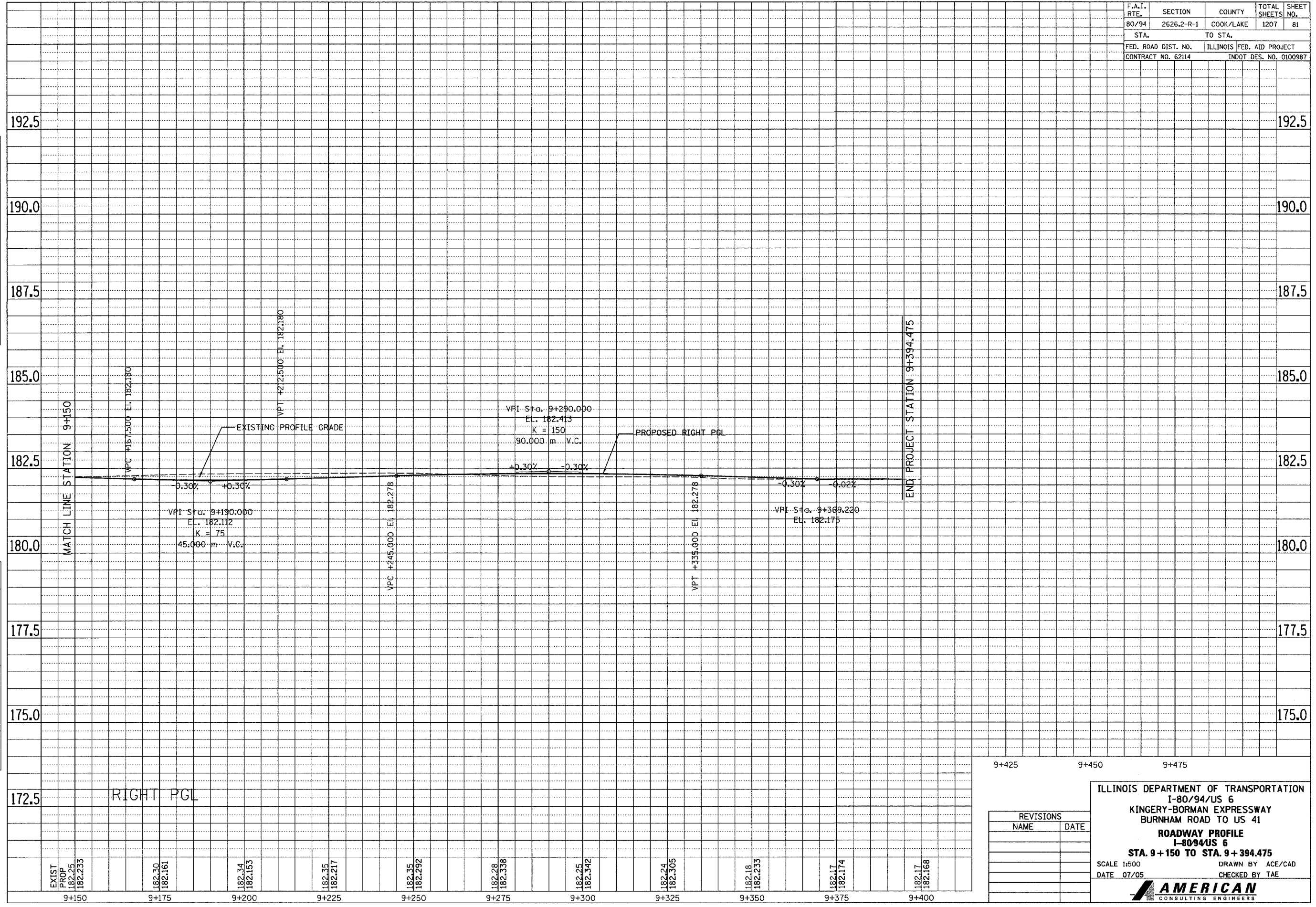
AMERICAN
CONSULTING ENGINEERS

REVISIONS	
NAME	DATE

F.A.I. RTE.	SECTION	COUNTY	TOTAL SHEETS	SHEET NO.
80/94	2626.2-R-1	COOK/LAKE	1207	81
STA.		TO STA.		
FED. ROAD DIST. NO.		ILLINOIS FED. AID PROJECT		
CONTRACT NO. 62114		INDOT DES. NO. 0100987		

FINAL SURVEY	SURVEYED	BY	DATE
NOTE BOOK NO.	NO.		
	AREAS CHECKED		

ORIGINAL SURVEY	SURVEYED	BY	DATE
NOTE BOOK NO.	NO.		
	AREAS CHECKED		



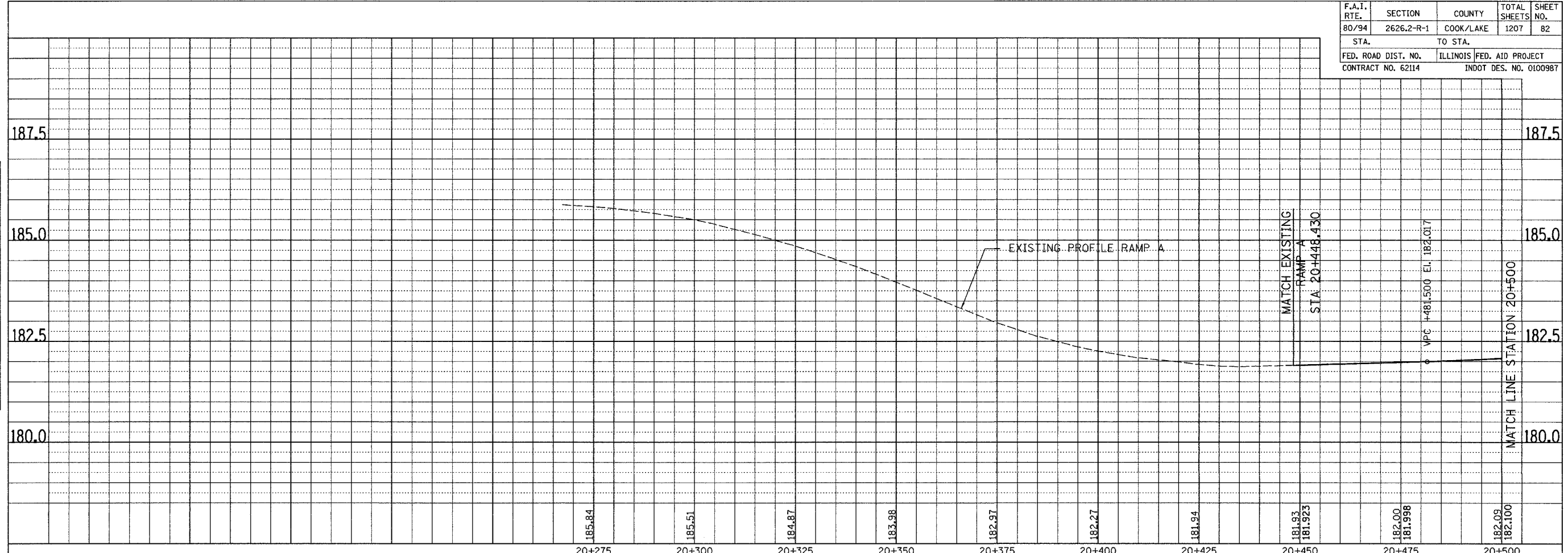
RIGHT PGL

EXIST PROP	182.30	182.161	182.34	182.153	182.35	182.217	182.35	182.292	182.28	182.338	182.25	182.342	182.24	182.305	182.18	182.233	182.17	182.174	182.17	182.168
9+150	9+175	9+200	9+225	9+250	9+275	9+300	9+325	9+350	9+375	9+400										

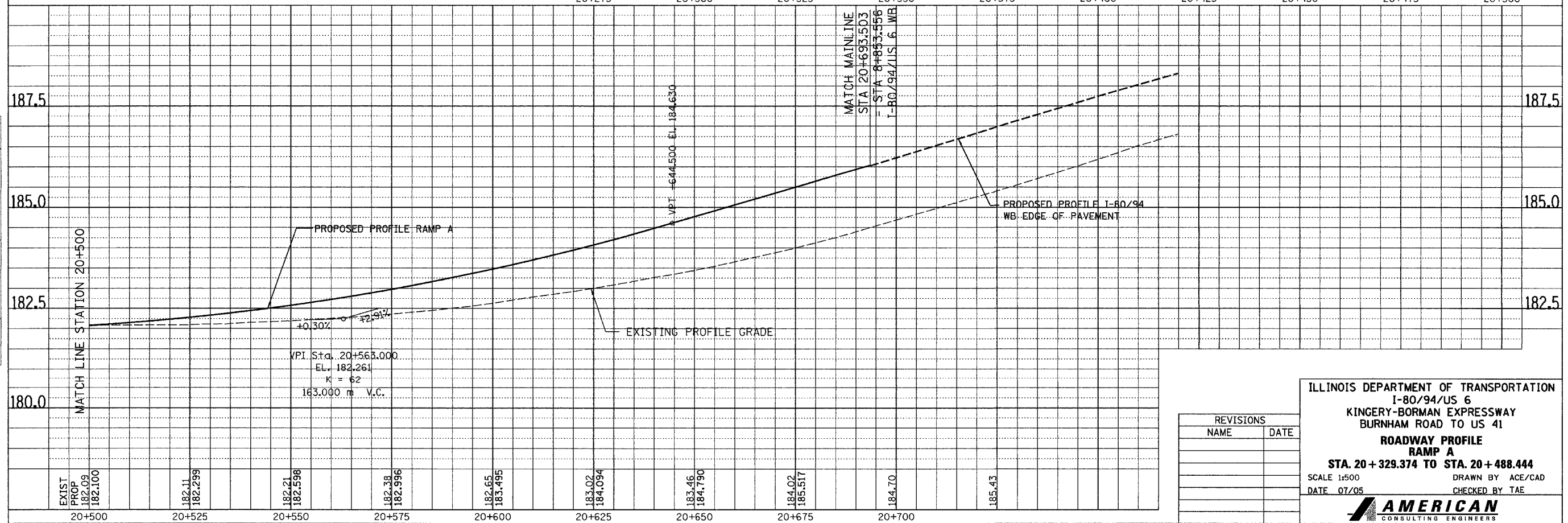
9+425	9+450	9+475
ILLINOIS DEPARTMENT OF TRANSPORTATION I-80/94/US 6 KINGERY-BORMAN EXPRESSWAY BURNHAM ROAD TO US 41 ROADWAY PROFILE I-80/94/US 6 STA. 9+150 TO STA. 9+394.475 SCALE 1:500 DRAWN BY ACE/CAD DATE 07/05 CHECKED BY TAE		
AMERICAN CONSULTING ENGINEERS		

F.A.I. RTE.	SECTION	COUNTY	TOTAL SHEETS	SHEET NO.
80/94	2626.2-R-1	COOK/LAKE	1207	82
STA.	TO STA.			
FED. ROAD DIST. NO.	ILLINOIS FED. AID PROJECT			
CONTRACT NO. 62114	INDOT DES. NO. 0100987			

FINAL SURVEY	SURVEYED	BY	DATE
NOTE BOOK	NO. _____		
REVISIONS	DATE		
AREAS CHECKED			



ORIGINAL SURVEY	SURVEYED	BY	DATE
NOTE BOOK	NO. _____		
REVISIONS	DATE		
AREAS CHECKED			



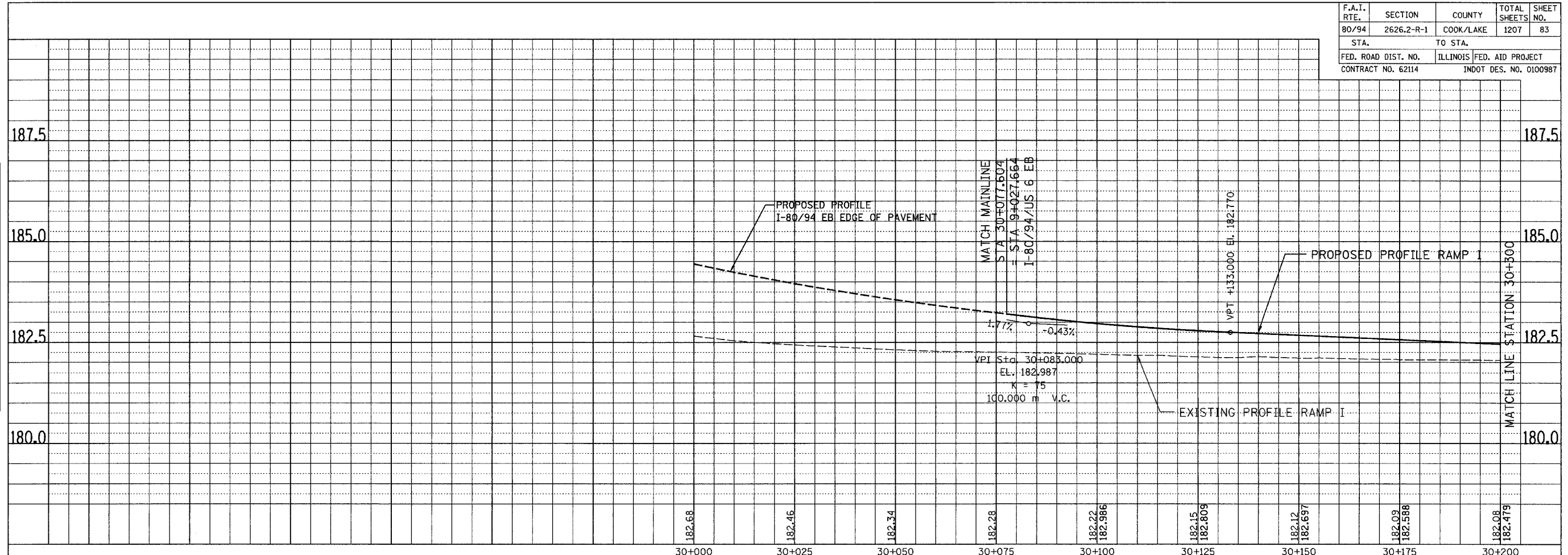
REVISIONS	
NAME	DATE

ILLINOIS DEPARTMENT OF TRANSPORTATION
 I-80/94/US 6
 KINGERY-BORMAN EXPRESSWAY
 BURNHAM ROAD TO US 41
ROADWAY PROFILE
RAMP A
STA. 20+329.374 TO STA. 20+488.444
 SCALE 1:500 DRAWN BY ACE/CAD
 DATE 07/05 CHECKED BY TAE

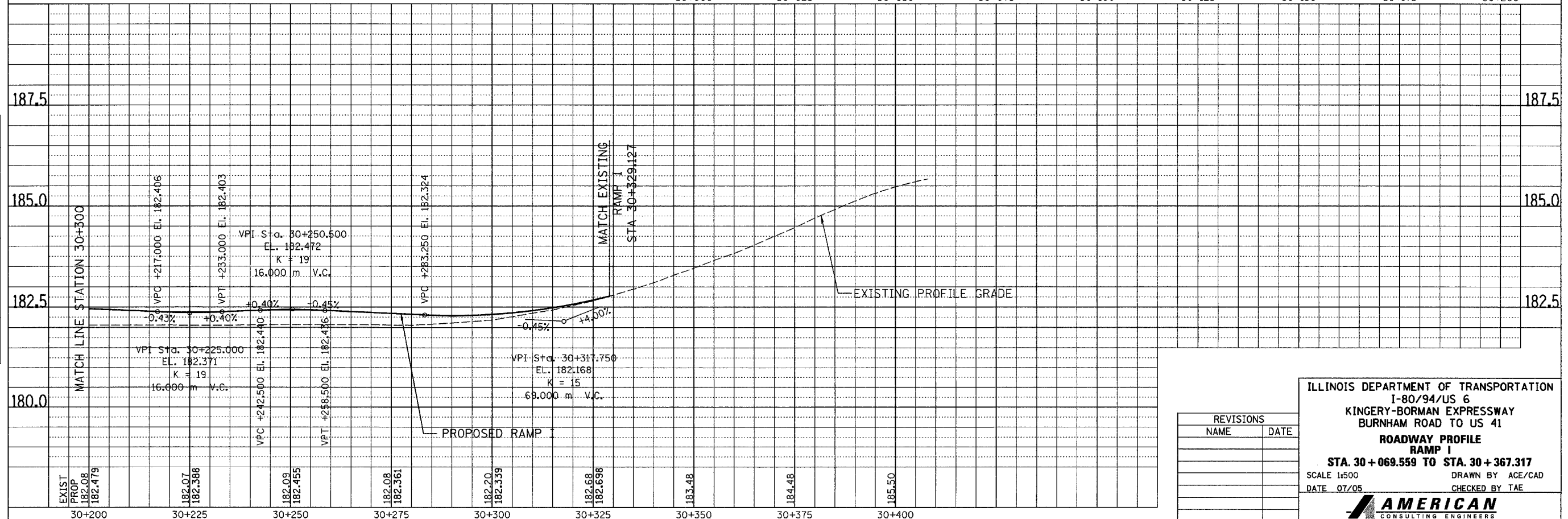
AMERICAN
 CONSULTING ENGINEERS

F.A.T. RTE.	SECTION	COUNTY	TOTAL SHEETS	SHEET NO.
80/94	2626.2-R-1	COOK/LAKE	1207	83
STA.		TO STA.		
FED. ROAD DIST. NO.		ILLINOIS FED. AID PROJECT		
CONTRACT NO. 62114		INDOT DES. NO. 0100987		

FINAL SURVEY PLOTTED	BY	DATE
NOTE BOOK TEMPLATE NO.		
AREAS CHECKED		



ORIGINAL SURVEY PLOTTED	BY	DATE
NOTE BOOK TEMPLATE NO.		
AREAS CHECKED		



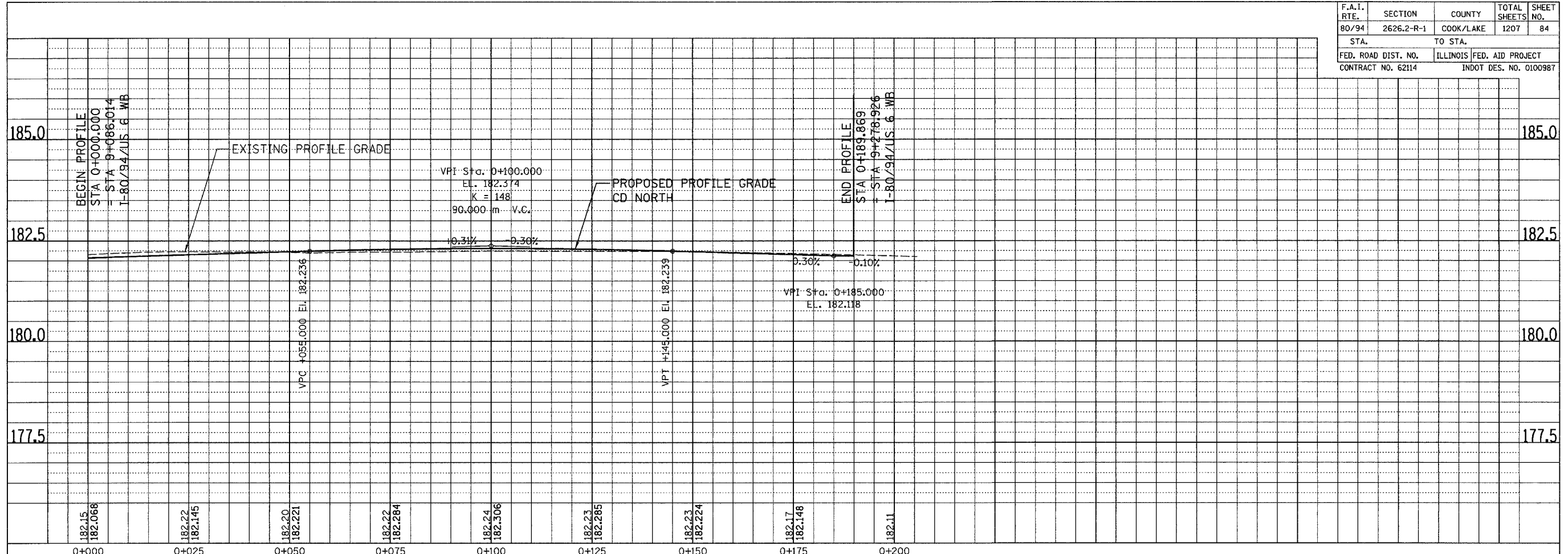
REVISIONS	
NAME	DATE

ILLINOIS DEPARTMENT OF TRANSPORTATION
 I-80/94/US 6
 KINGERY-BORMAN EXPRESSWAY
 BURNHAM ROAD TO US 41
**ROADWAY PROFILE
 RAMP I**
STA. 30 + 069.559 TO STA. 30 + 367.317
 SCALE 1:500 DRAWN BY ACE/CAD
 DATE 07/05 CHECKED BY TAE

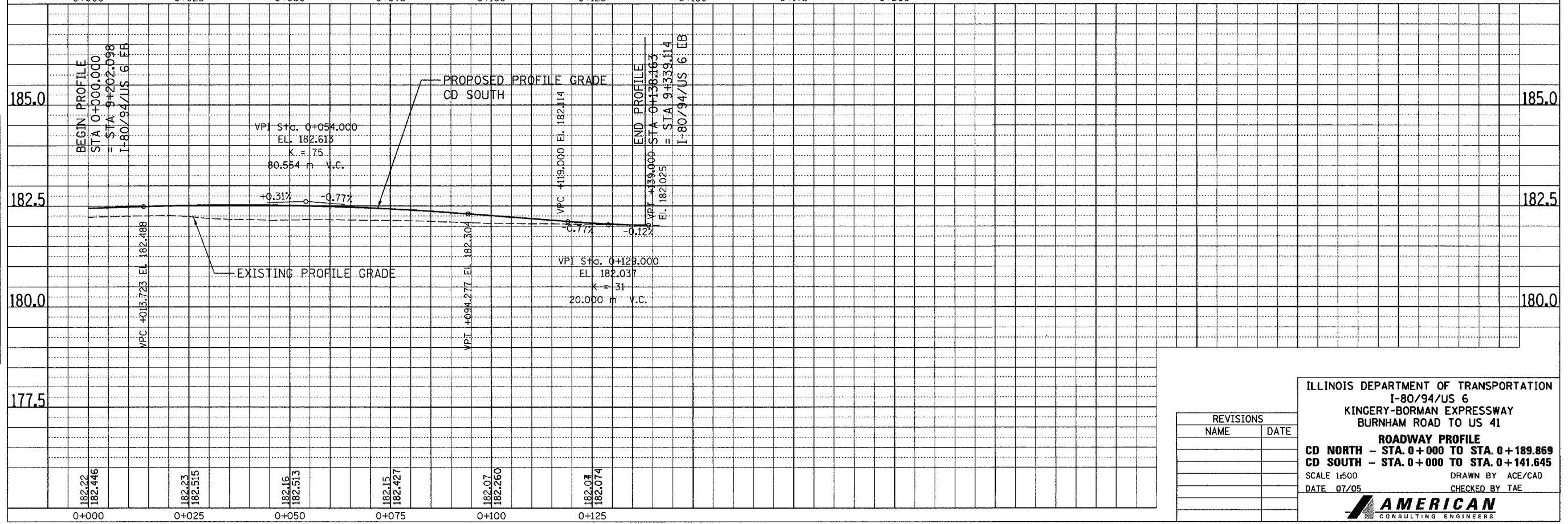
AMERICAN
 CONSULTING ENGINEERS

F.A.I. RTE.	SECTION	COUNTY	TOTAL SHEETS	SHEET NO.
80/94	2626.2-R-1	COOK/LAKE	1207	84
STA.		TO STA.		
FED. ROAD DIST. NO.		ILLINOIS FED. AID PROJECT		
CONTRACT NO. 62114		INDOT DES. NO. 0100987		

FINAL SURVEY PLOTTED	BY	DATE
NOTE BOOK NO.		
AREAS CHECKED		



ORIGINAL SURVEY PLOTTED	BY	DATE
NOTE BOOK NO.		
AREAS CHECKED		



REVISIONS	
NAME	DATE

ILLINOIS DEPARTMENT OF TRANSPORTATION
 I-80/94/US 6
 KINGERY-BORMAN EXPRESSWAY
 BURNHAM ROAD TO US 41

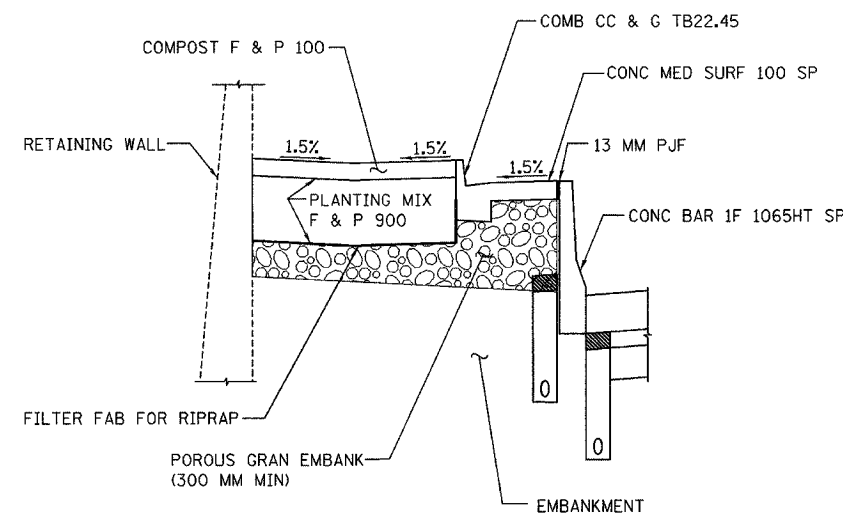
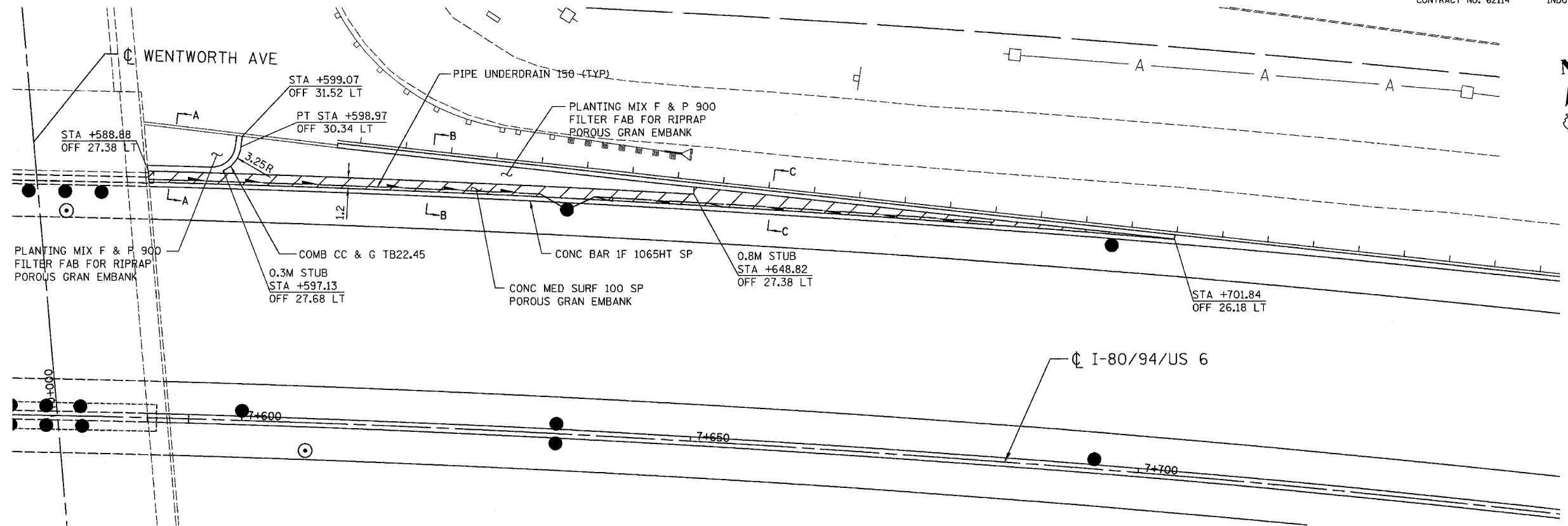
ROADWAY PROFILE
 CD NORTH - STA. 0+000 TO STA. 0+189.869
 CD SOUTH - STA. 0+000 TO STA. 0+141.645

SCALE 1:500
 DATE 07/05
 DRAWN BY ACE/CAD
 CHECKED BY TAE

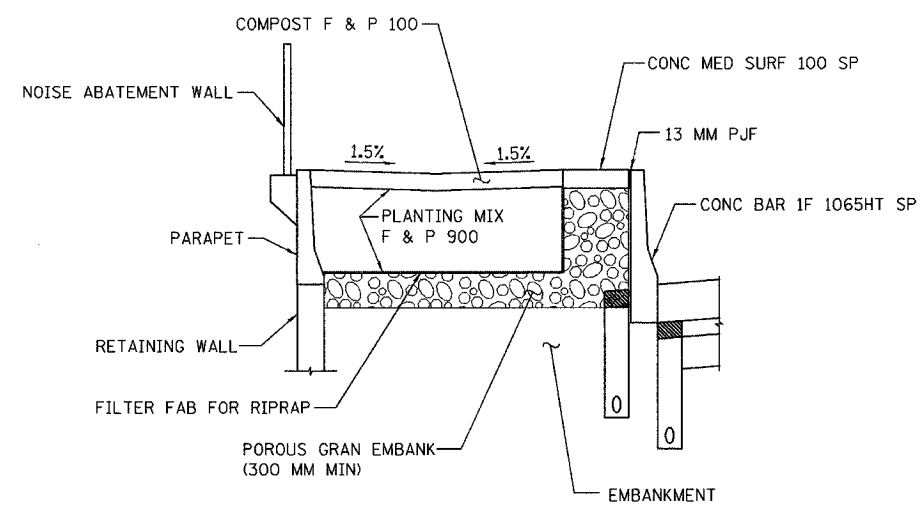
AMERICAN
 CONSULTING ENGINEERS

ALL DIMENSIONS IN METERS EXCEPT PAVEMENT ITEMS AND UNLESS NOTED OTHERWISE

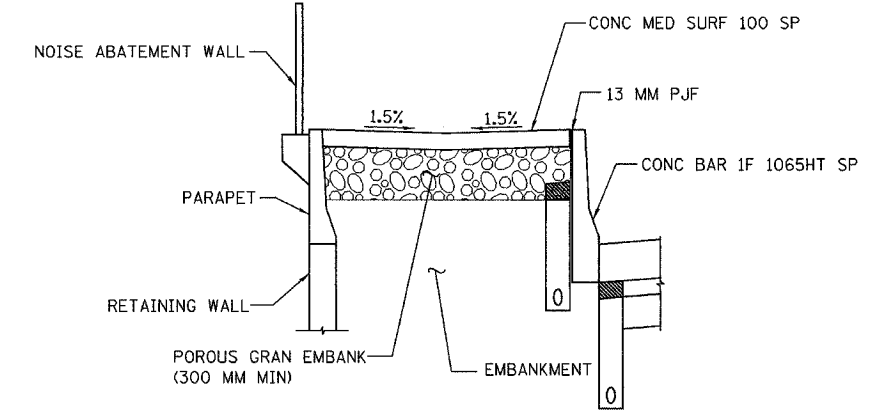
F.A.I. RTE.	SECTION	COUNTY	TOTAL SHEETS	SHEET NO.
80/94	2626.2-R-2	COOK/LAKE	1207	85
STA.	TO STA.			
FED. ROAD DIST. NO.	ILLINOIS FED. AID PROJECT			
CONTRACT NO. 62114	INDOT DES. NO. 0100987			



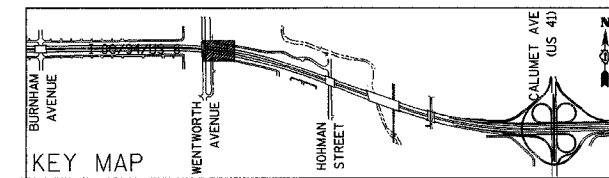
SECTION A-A



SECTION B-B



SECTION C-C



REVISIONS	
NAME	DATE

ILLINOIS DEPARTMENT OF TRANSPORTATION
I-80/94/US 6 (KINGERY EXPRESSWAY)
BURNHAM ROAD TO US 41 (CALUMET AVE)

GATEWAY DETAIL

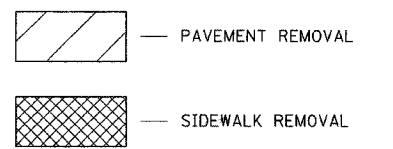
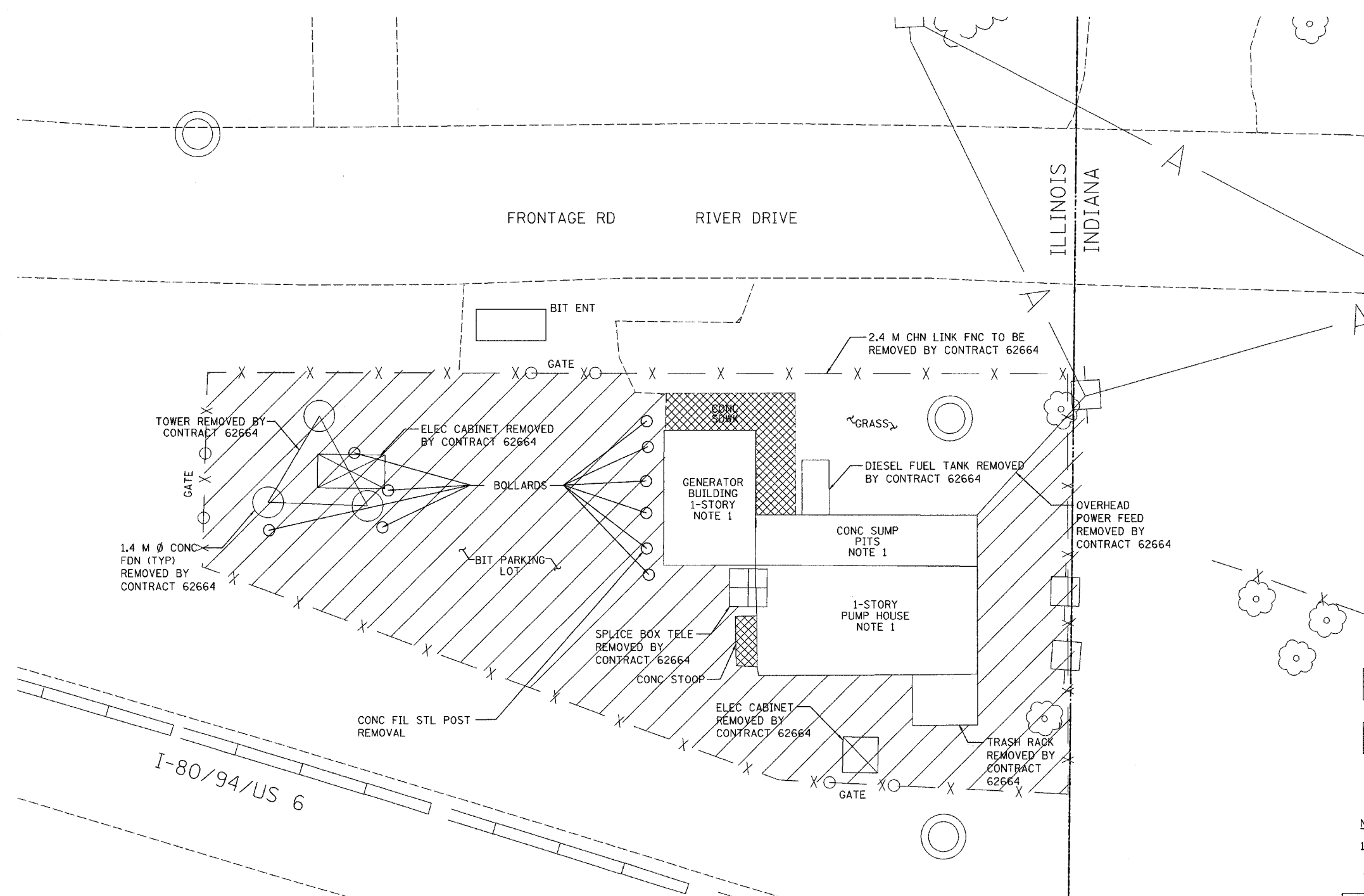
SCALE 1:250
DATE 07/05

DRAWN BY ACE/CAD
CHECKED BY TAE



ALL DIMENSIONS IN METERS EXCEPT PAY ITEMS AND UNLESS NOTED OTHERWISE

F.A.I. RTE.	SECTION	COUNTY	TOTAL SHEETS	SHEET NO.
80/94	2626.2-R-2	COOK/LAKE	1207	86
STA.	TO STA.			
FED. ROAD DIST. NO.	ILLINOIS	FED. AID PROJECT		
CONTRACT NO. 62114	INDOT DES. NO. 0100987			



NOTE:
1. BUILDINGS AND FOUNDATIONS ARE REMOVED BY CONTRACT 62664

ILLINOIS DEPARTMENT OF TRANSPORTATION
I-80/94/US 6 (KINGERY EXPRESSWAY)
BURNAM ROAD TO US 41 (CALUMET AVE)

**EXISTING PUMP STATION
REMOVAL PLAN**

REVISIONS	
NAME	DATE

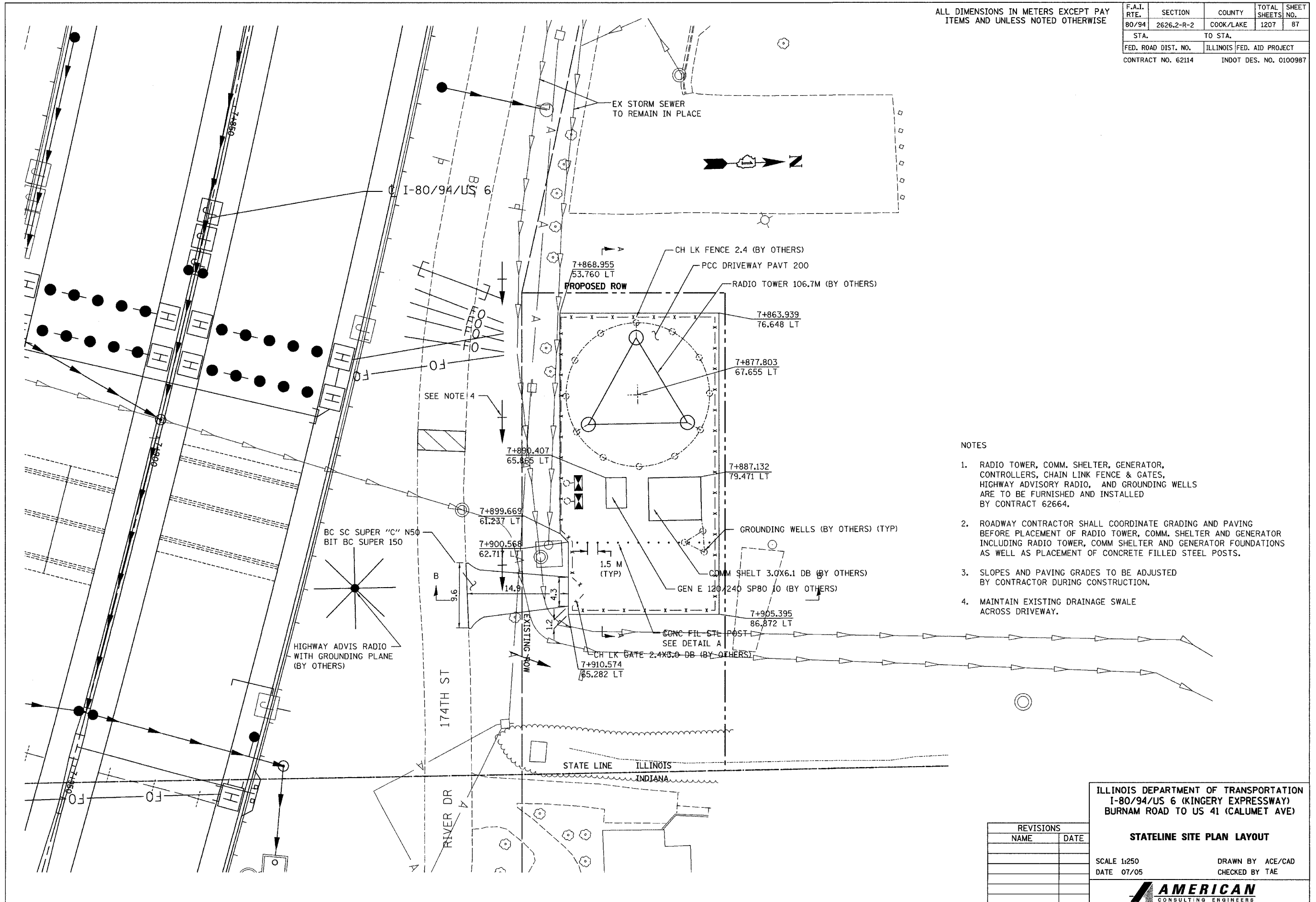
SCALE 1:100
DATE 07/05

DRAWN BY ACE/CAD
CHECKED BY TAE



ALL DIMENSIONS IN METERS EXCEPT PAV
ITEMS AND UNLESS NOTED OTHERWISE

F.A.I. RTE.	SECTION	COUNTY	TOTAL SHEETS	SHEET NO.
80/94	2626.2-R-2	COOK/LAKE	1207	87
STA.	TO STA.			
FED. ROAD DIST. NO.	ILLINOIS FED. AID PROJECT			
CONTRACT NO. 62114	INDOT DES. NO. 0100987			



NOTES

1. RADIO TOWER, COMM. SHELTER, GENERATOR, CONTROLLERS, CHAIN LINK FENCE & GATES, HIGHWAY ADVISORY RADIO, AND GROUNDING WELLS ARE TO BE FURNISHED AND INSTALLED BY CONTRACT 62664.
2. ROADWAY CONTRACTOR SHALL COORDINATE GRADING AND PAVING BEFORE PLACEMENT OF RADIO TOWER, COMM. SHELTER AND GENERATOR FOUNDATIONS AS WELL AS PLACEMENT OF CONCRETE FILLED STEEL POSTS.
3. SLOPES AND PAVING GRADES TO BE ADJUSTED BY CONTRACTOR DURING CONSTRUCTION.
4. MAINTAIN EXISTING DRAINAGE SWALE ACROSS DRIVEWAY.

REVISIONS	
NAME	DATE

ILLINOIS DEPARTMENT OF TRANSPORTATION
I-80/94/US 6 (KINGERY EXPRESSWAY)
BURNAM ROAD TO US 41 (CALUMET AVE)

STATELINE SITE PLAN LAYOUT

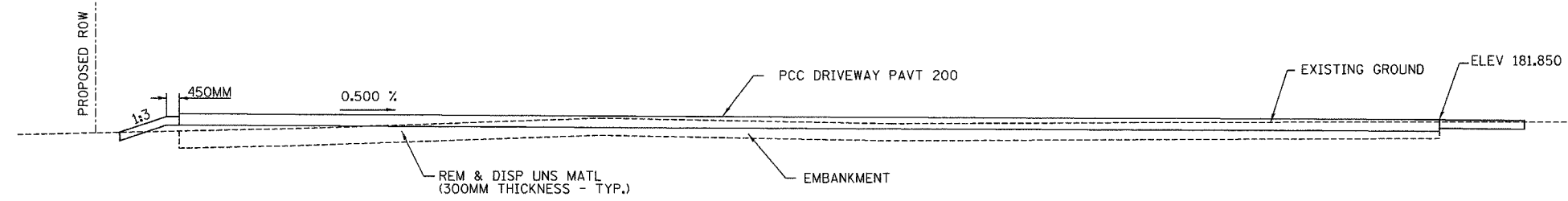
SCALE 1:250
DATE 07/05

DRAWN BY ACE/CAD
CHECKED BY TAE

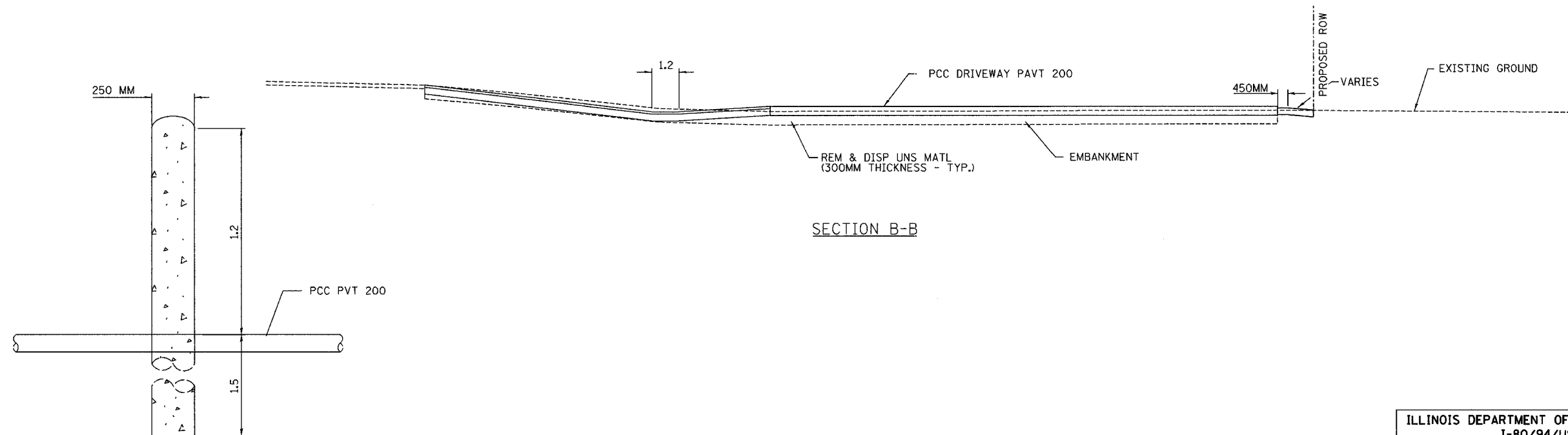


ALL DIMENSIONS IN METERS EXCEPT PAY ITEMS AND UNLESS NOTED OTHERWISE

F.A.I. RTE.	SECTION	COUNTY	TOTAL SHEETS	SHEET NO.
80/94	2626.2-R-2	COOK/LAKE	1207	88
STA.		TO STA.		
FED. ROAD DIST. NO.		ILLINOIS FED. AID PROJECT		
CONTRACT NO. 62114		INDOT DES. NO. 0100987		



SECTION A-A



SECTION B-B

DETAIL A
CONCRETE FILLED STEEL POST DETAIL

REVISIONS	
NAME	DATE

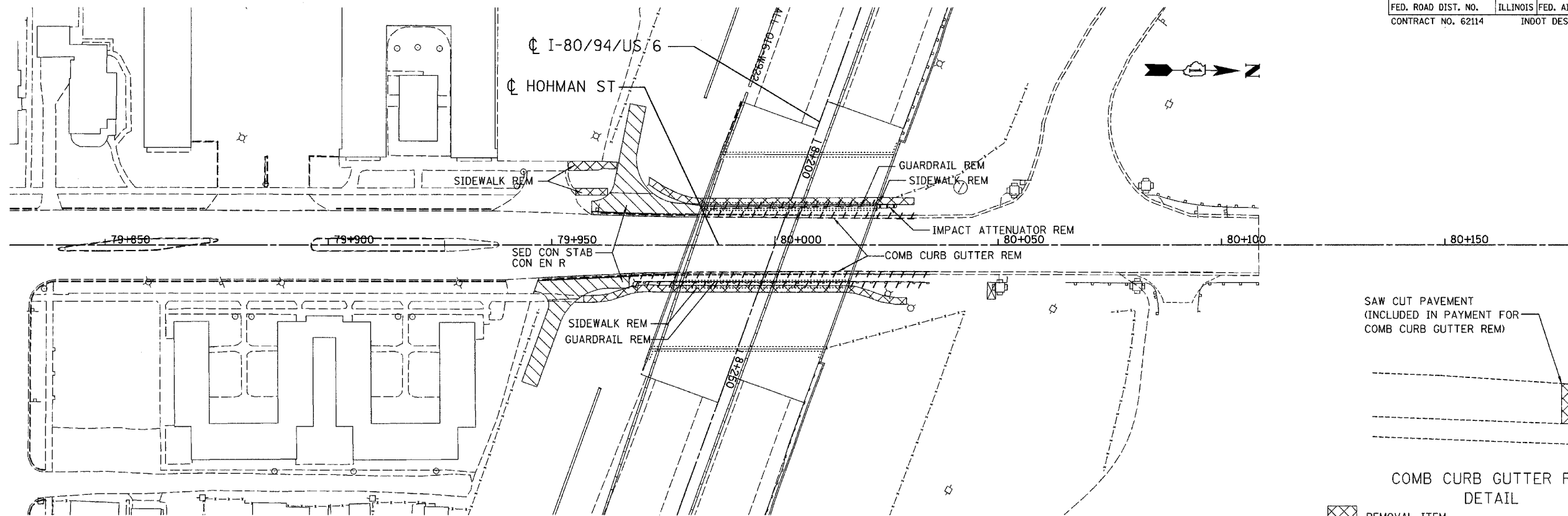
ILLINOIS DEPARTMENT OF TRANSPORTATION
I-80/94/US 6
KINGERY-BORMAN EXPRESSWAY
BURNHAM ROAD TO US 41
STATELINE SITE PLAN
CROSS SECTIONS & DETAILS

SCALE NTS
DATE 07/05
DRAWN BY ACE/CAD
CHECKED BY TAE

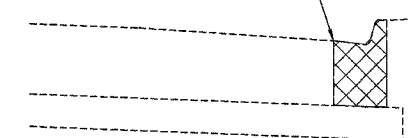


ALL DIMENSIONS IN METERS EXCEPT PAV
ITEMS AND UNLESS NOTED OTHERWISE

F.A.I. RTE.	SECTION	COUNTY	TOTAL SHEETS	SHEET NO.
80/94	2626.2-R-2	COOK/LAKE	1207	89
STA.		TO STA.		
FED. ROAD DIST. NO.		ILLINOIS FED. AID PROJECT		
CONTRACT NO. 62114		INDOT DES. NO. 0100987		

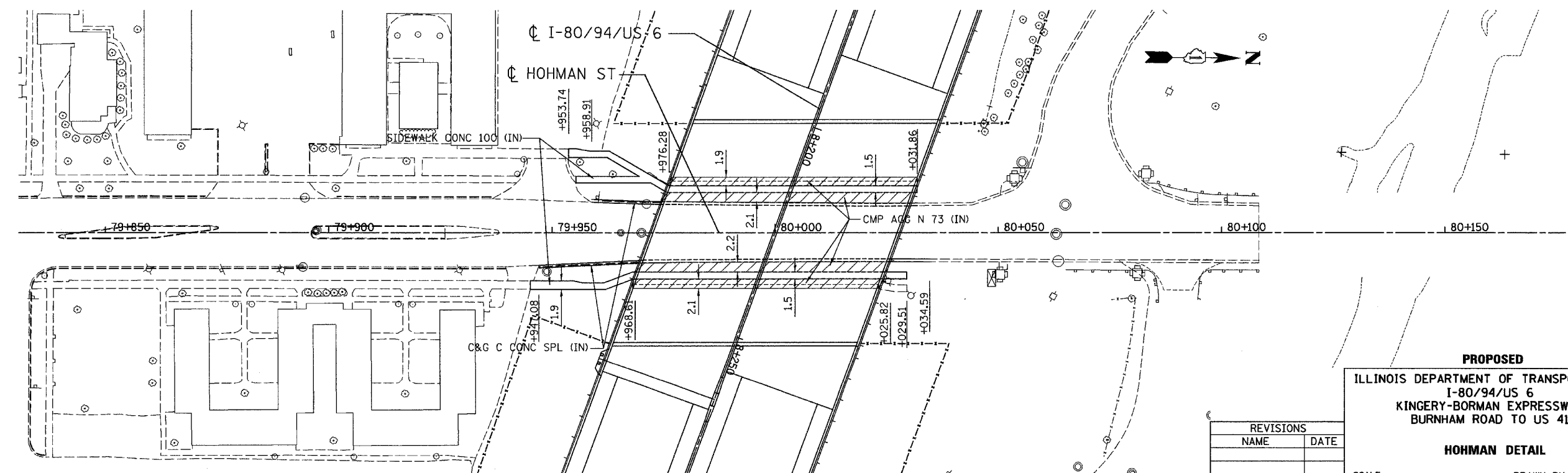


SAW CUT PAVEMENT
(INCLUDED IN PAYMENT FOR
COMB CURB GUTTER REM)



COMB CURB GUTTER REM
DETAIL

REMOVAL ITEM
EXISTING



PROPOSED
ILLINOIS DEPARTMENT OF TRANSPORTATION
I-80/94/US 6
KINGERY-BORMAN EXPRESSWAY
BURNHAM ROAD TO US 41

HOHMAN DETAIL

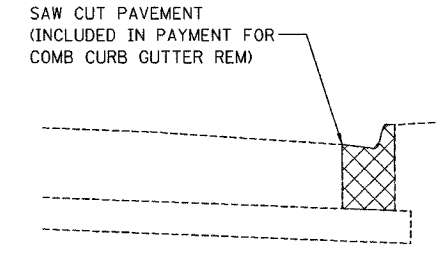
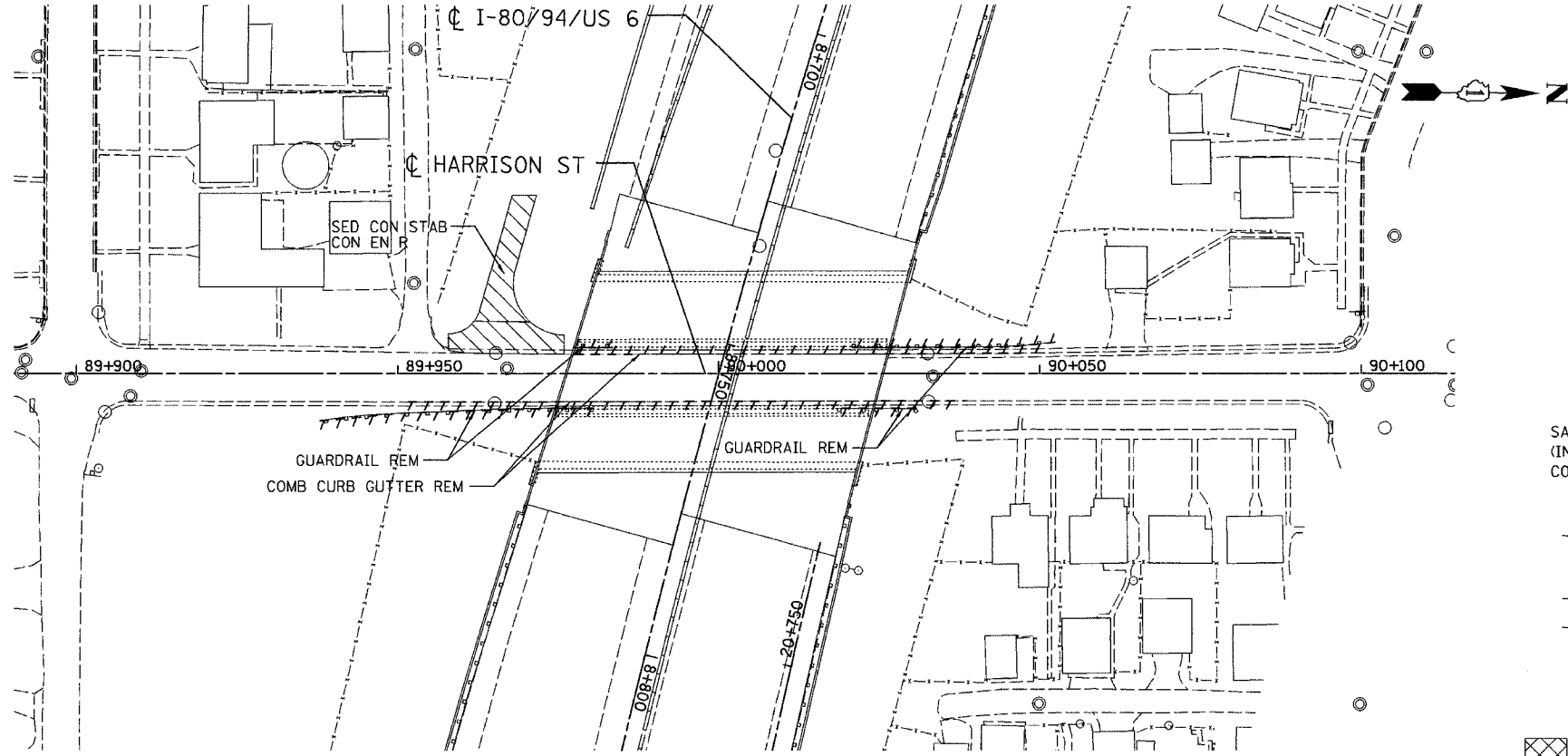
REVISIONS	
NAME	DATE

SCALE DATE 07/05 DRAWN BY ACE/CAD CHECKED BY TAE



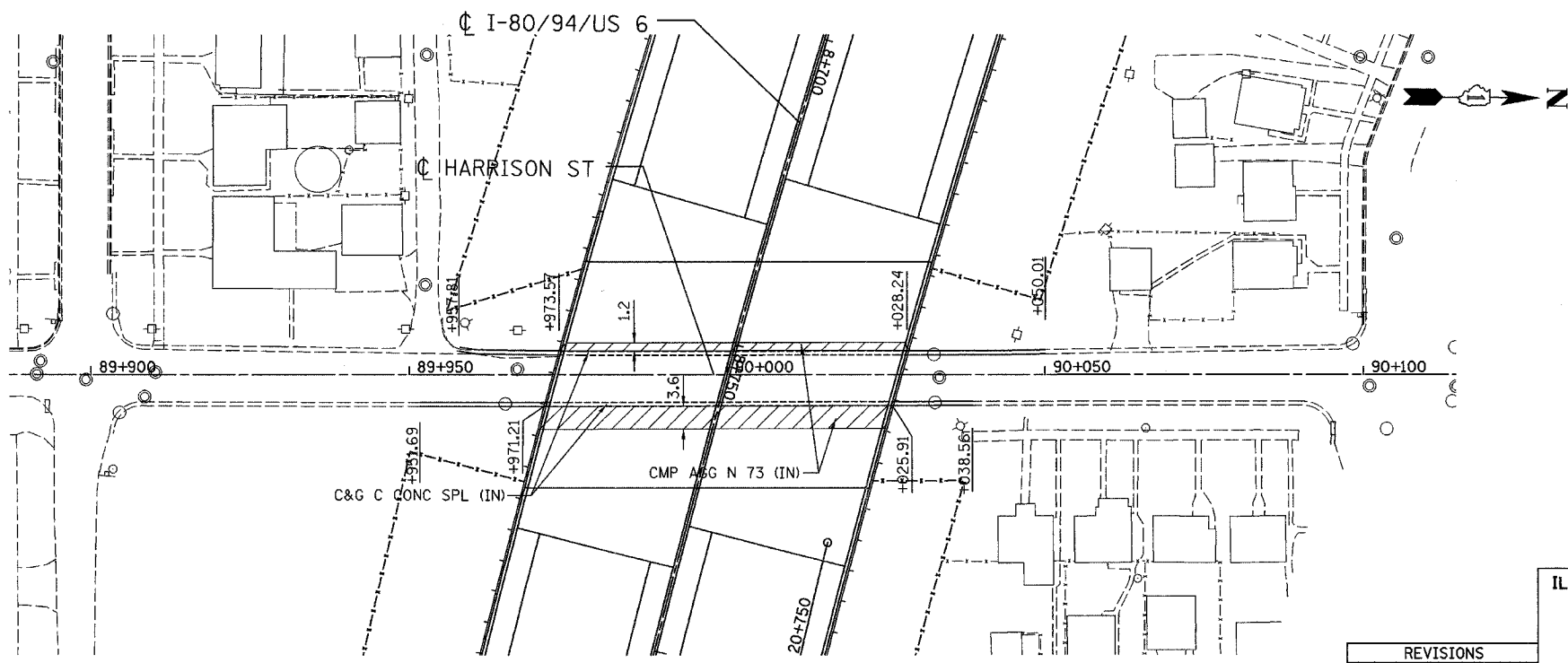
ALL DIMENSIONS IN METERS EXCEPT PAY ITEMS AND UNLESS NOTED OTHERWISE

F.A.I. RTE.	SECTION	COUNTY	TOTAL SHEETS	SHEET NO.
80/94	2626.2-R-2	COOK/LAKE	1207	90
STA.		TO STA.		
FED. ROAD DIST. NO.		ILLINOIS FED. AID PROJECT		
CONTRACT NO. 62114		INDOT DES. NO. 0100987		



COMB CURB GUTTER REM
DETAIL

REMOVAL ITEM
EXISTING



PROPOSED

ILLINOIS DEPARTMENT OF TRANSPORTATION
I-80/94/US 6
KINGERY-BORMAN EXPRESSWAY
BURNHAM ROAD TO US 41

HARRISON DETAIL

REVISIONS	
NAME	DATE

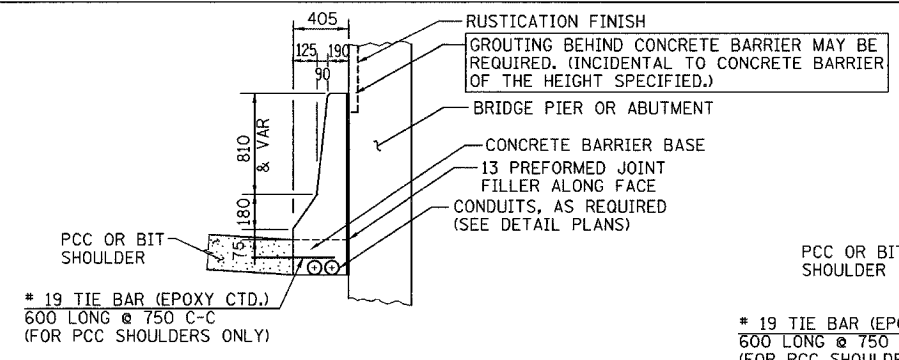
SCALE
DATE 07/05

DRAWN BY ACE/CAD
CHECKED BY TAE

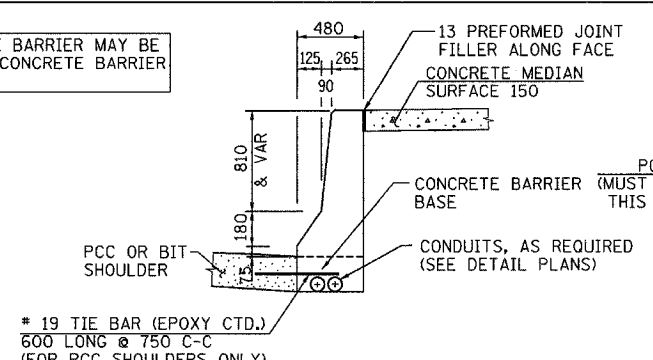


F.A.I. RTE.	SECTION	COUNTY	TOTAL SHEETS	SHEET NO.
80/94	2626.2-R-2	COOK/LAKE	1207	91
STA.		TO STA.		
FED. ROAD DIST. NO.	ILLINOIS	FED. AID PROJECT		
CONTRACT NO. 62114	INDOT DES. NO. 0100987			

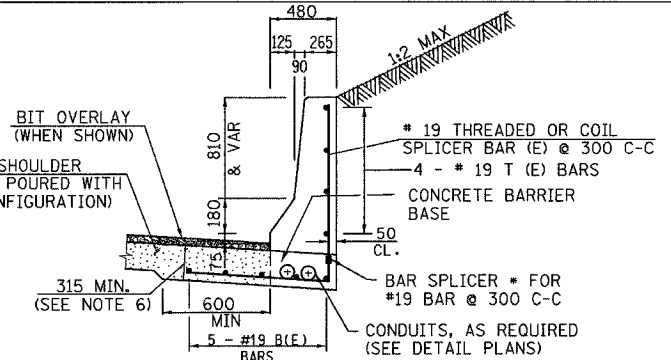
* THE BAR SPLICER SHALL BE CAPABLE OF DEVELOPING A MINIMUM OF 125% OF THE YIELD STRENGTH OF A #19 BAR



SECTION F
CONC BAR 1F 1065 HT
CONCRETE BARRIER, SINGLE FACE,
1065 HEIGHT



SECTION G
CONC BAR 1F 1065 HT
CONCRETE BARRIER, SINGLE FACE,
1065 HEIGHT

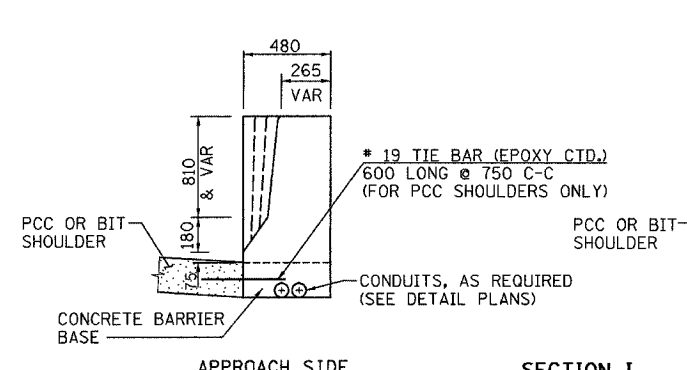


SECTION H
CONC BAR 1F 1065 HT REINF
CONCRETE BARRIER, SINGLE FACE,
1065 HEIGHT, REINFORCED
CUT SECTION

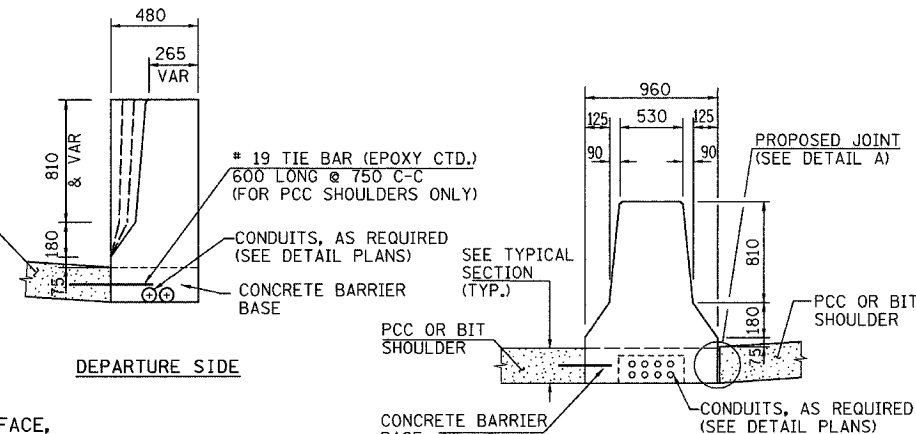
CUT SECTION

REINFORCING BARS 6.1 m SECTION				
BAR	NO.	SIZE	LENGTH	SHAPE
B(E)	5	#19	6.00 m	—
T(E)	4	#19	6.00 m	—
REINFORCING BARS (EPOXY COATED)			Kg	121
BAR SPLICER			EACH	21

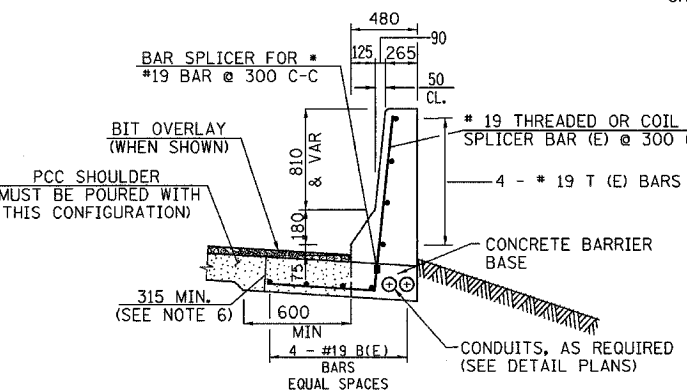
** LONGITUDINAL BARS SHOULD NOT EXTEND THROUGH JOINTS.



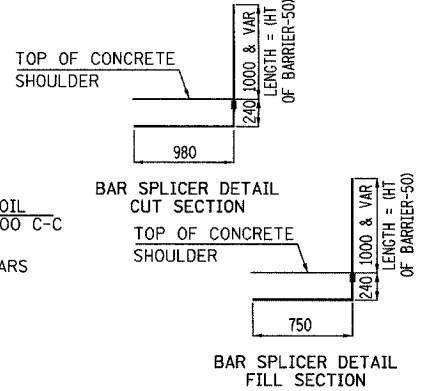
SECTION I
CONC BAR 1F 1065 HT
CONCRETE BARRIER, SINGLE FACE,
1065 HEIGHT



SECTION N
CONC BAR 2F 1065 HT
CONCRETE BARRIER, DOUBLE FACE,
1065 HEIGHT



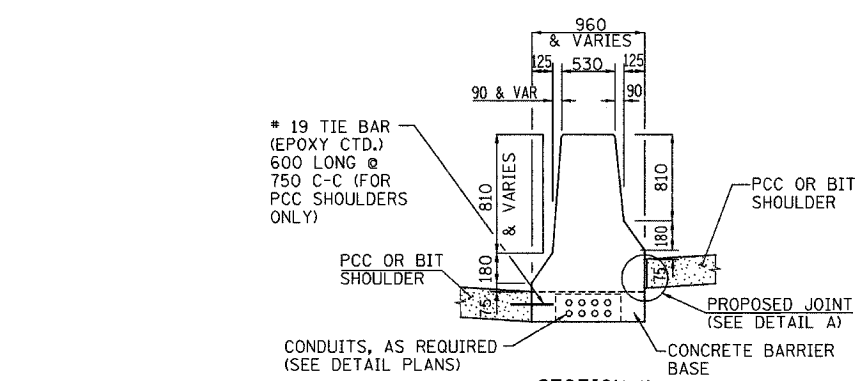
SECTION J
CONC BAR 1F 1065 HT REINF
CONCRETE BARRIER, SINGLE FACE,
1065 HEIGHT, REINFORCED
FILL SECTION



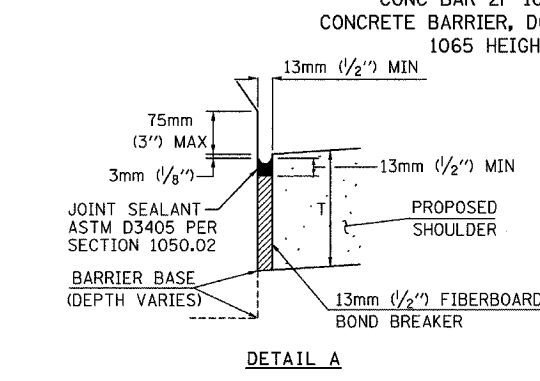
FILL SECTION

REINFORCING BARS 6.1 m SECTION				
BAR	NO.	SIZE	LENGTH	SHAPE
B(E)	4	#19	6.00 m	—
T(E)	4	#19	6.00 m	—
REINFORCING BARS (EPOXY COATED)			Kg	108
BAR SPLICER			EACH	21

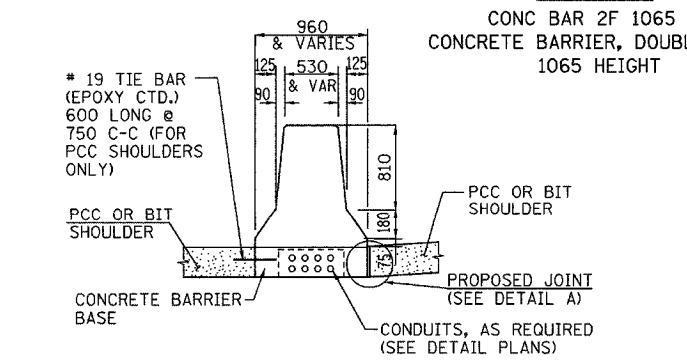
** LONGITUDINAL BARS SHOULD NOT EXTEND THROUGH JOINTS.



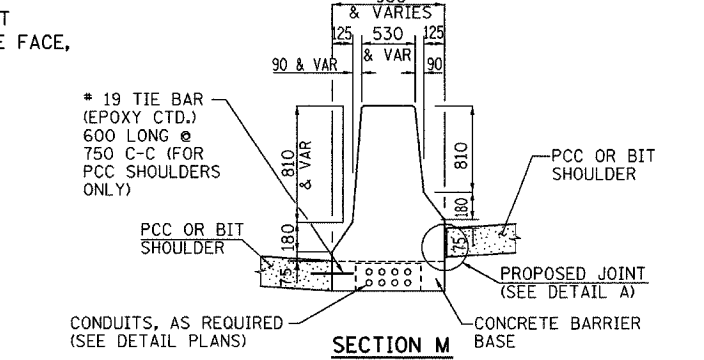
SECTION K
CONC BAR 2F 1065 HT
CONCRETE BARRIER, DOUBLE FACE,
1065 HEIGHT



DETAIL A



SECTION L
CONC BAR 2F 1065 HT
CONCRETE BARRIER, DOUBLE FACE,
1065 HEIGHT

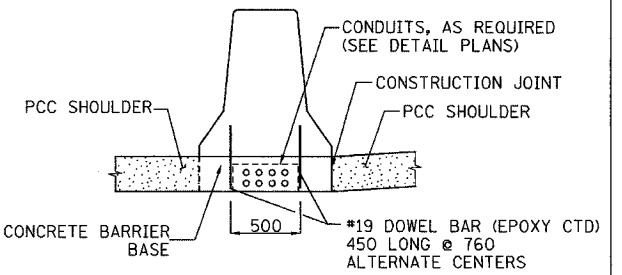


SECTION M
CONC BAR 2F 1065 HT
CONCRETE BARRIER, DOUBLE FACE,
1065 HEIGHT

LEGEND:
PAY LIMITS OF BITUMINOUS OR PCC SHOULDERS.

NOTES:

- FOR ADDITIONAL CONCRETE BARRIER DETAILS SEE STANDARDS 637001 & 637006.
- FOR ADDITIONAL SHOULDER DETAILS SEE TYPICAL SECTIONS, PIPE UNDERDRAIN & SUBGRADE DETAILS FOR OPEN AND CLOSED DRAINAGE SYSTEMS, P.C.C SHOULDER DETAILS AND/OR STANDARDS 601001, 482006, 483001 & 482001 AS APPLICABLE.
- A 25 RADIUS CAN BE SUBSTITUTED FOR THE 13 CHAMFER AT THE TOP OF THE BARRIER WALL.
- FOR BITUMINOUS SHOULDERS -- DEPTH "T" EQUALS 450 MINIMUM.
- FOR PCC SHOULDERS -- DEPTH "T" SHALL BE 255 MINIMUM OR THE SHOULDER DEPTH IF GREATER.
- THE THICKENED PCC SHOULDER FOR THE REINFORCED CONCRETE BARRIER SECTION SHALL BE INCLUDED IN THE COST OF THE CONCRETE BARRIER OF THE TYPE INVOLVED.
- ALL REINFORCING BARS, BAR SPLICERS, TIE BARS AND DOWEL BARS SHALL BE SEATED IN THE FINAL POSITION PRIOR TO THE CONCRETE OPERATIONS. BARS CANNOT BE MUCKED INTO PLACE.
- THE FURNISHING AND PLACING OF TIE BARS AND DOWEL BARS SHALL BE INCLUDED IN THE COST OF PCC SHOULDER OF THE THICKNESS SPECIFIED.
- THE FURNISHING AND PLACING OF BAR SPLICERS, TIE BARS AND DOWEL BARS SHALL BE INCLUDED IN THE COST OF THE PCC SHOULDER OF THE THICKNESS SPECIFIED.
- THE CONDUIT LOCATIONS SHOWN ARE TYPICAL. ADDITIONAL CONDUITS MAY BE REQUIRED. FOR THE SIZE, LOCATION, AND DETAILS, SEE THE ELECTRICAL AND/OR SURVEILLANCE PLANS. THE FURNISHING AND PLACING OF CONDUITS OF THE SIZE SPECIFIED SHALL BE PAID FOR SEPARATELY.



OPTIONAL CONFIGURATION
DOUBLE FACE BARRIER ON PCC SHOULDER

ALL DIMENSIONS IN MILLIMETERS UNLESS OTHERWISE SHOWN.

ILLINOIS DEPARTMENT OF TRANSPORTATION
I-80/94/US 6
KINGERY-BORMAN EXPRESSWAY
BURNHAM ROAD TO US 41

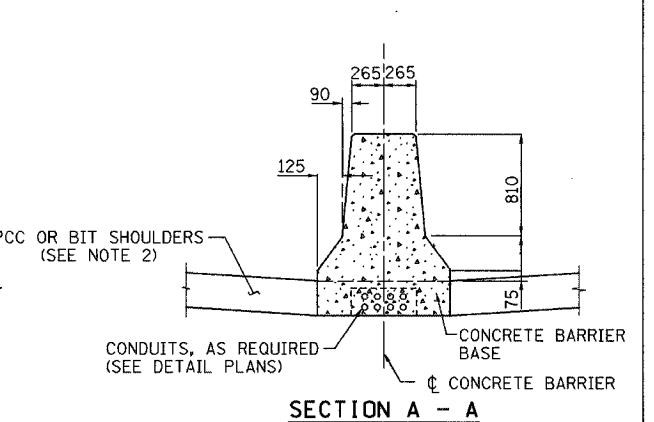
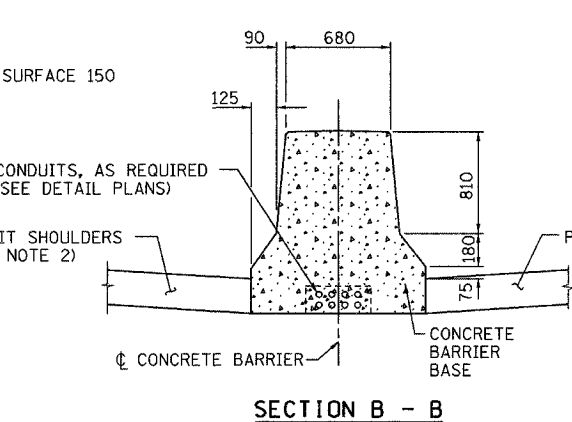
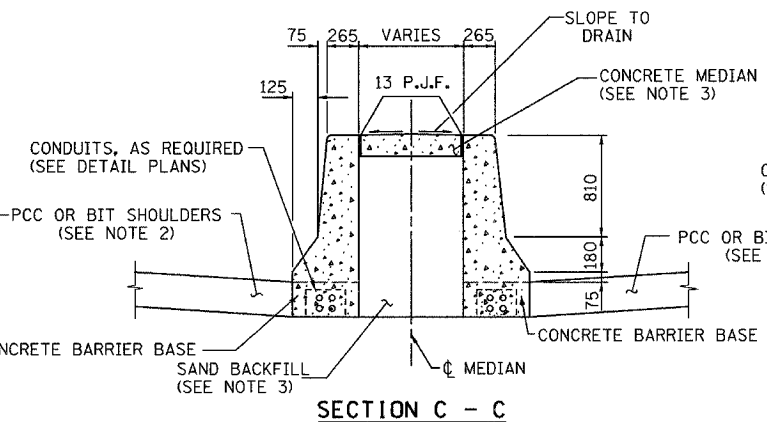
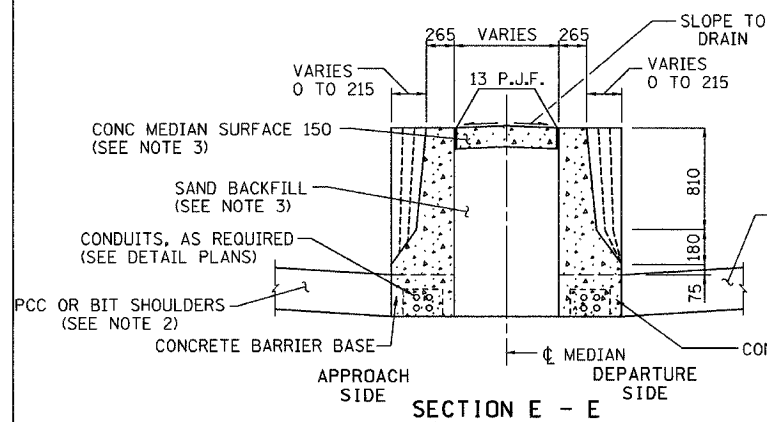
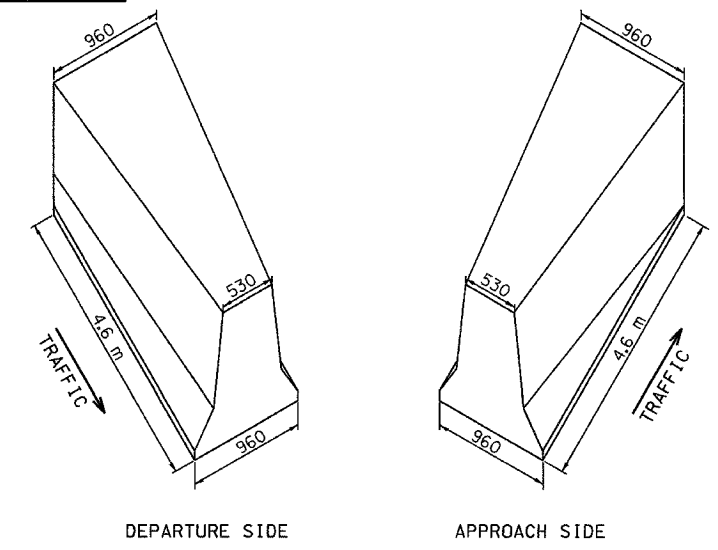
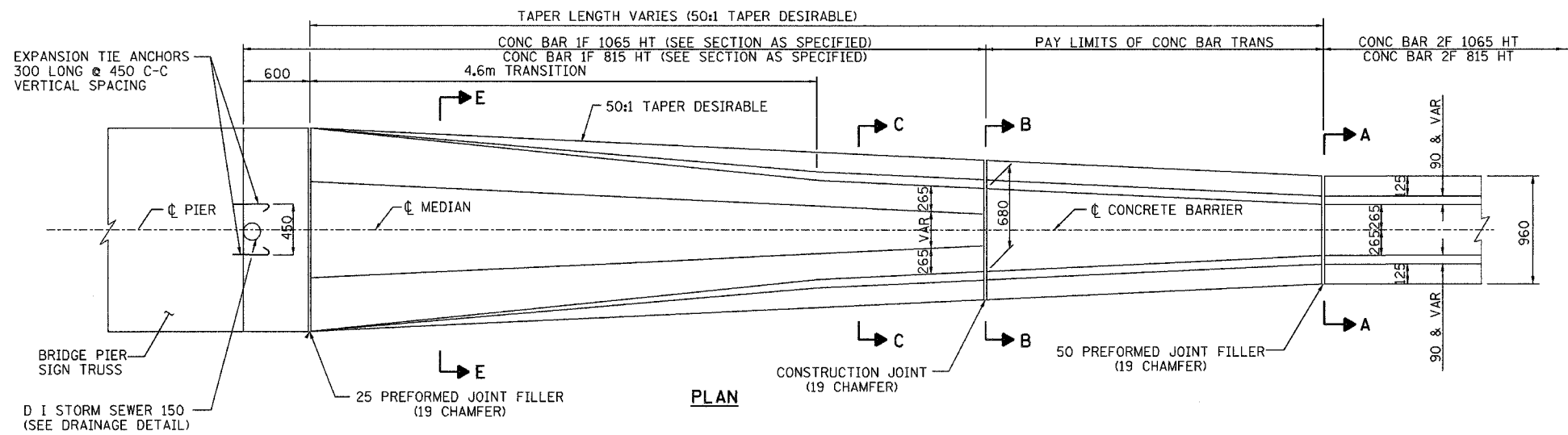
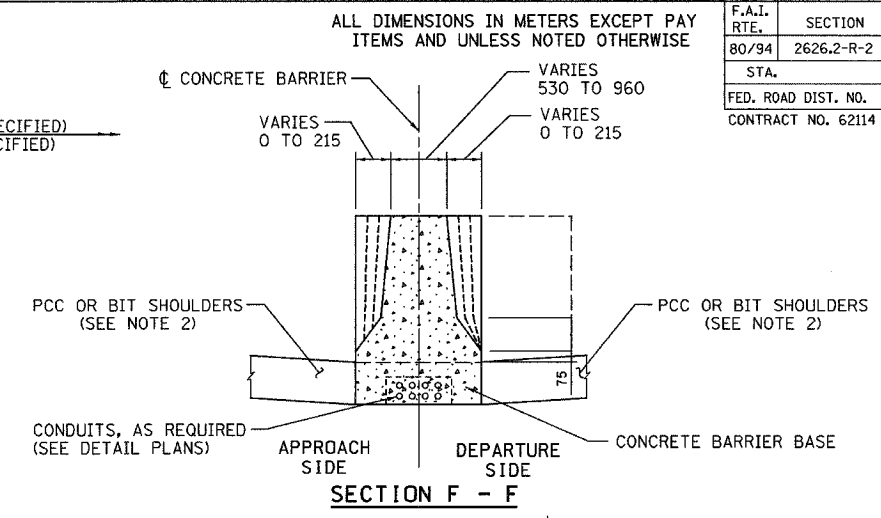
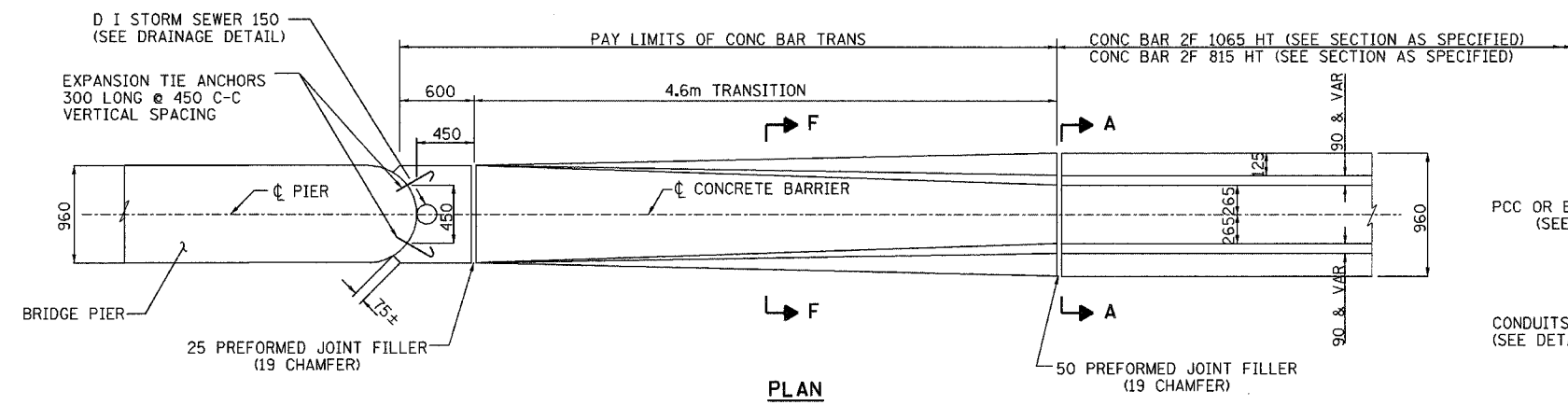
CONCRETE BARRIER DETAILS
1065 MM WALL

SCALE NONE DRAWN BY ACE/CAD
DATE 07/05 CHECKED BY TAE

AMERICAN
CONSULTING ENGINEERS

REVISIONS	
NAME	DATE
MDV	01/30/04
MRN	3/29/04
MDV	8/25/04
MRN	4/20/05
NLP	8/04/05

F.A.I. RTE.	SECTION	COUNTY	TOTAL SHEETS	SHEET NO.
80/94	2626.2-R-2	COOK/LAKE	1207	92
STA.	TO STA.			
FED. ROAD DIST. NO.	ILLINOIS FED. AID PROJECT			
CONTRACT NO. 62114	INDOT DES. NO. 0100987			



NOTES:

- 1) FOR ADDITIONAL CONCRETE BARRIER DETAILS, INCLUDING TIE BAR PLACEMENT, SEE THE TYPICAL SECTION SHEETS AND CONCRETE BARRIER DETAILS, OF THE HEIGHT SPECIFIED.
- 2) FOR ADDITIONAL SHOULDER DETAILS SEE TYPICAL SECTIONS, PIPE UNDERDRAIN & SHOULDER DETAILS SHEET AND STANDARDS 601001,482006,483001 & 482001.
- 3) SAND BACKFILL AND CONCRETE MEDIAN SURFACE 150 WILL BE REQUIRED. FILLING WITH CONCRETE WILL NOT BE ALLOWED. THIS WORK SHALL BE PAID FOR SEPARATELY.

- 4) FURNISHING AND INSTALLING THE PREFORMED JOINT FILLER OF THE SIZE SPECIFIED SHALL BE INCLUDED IN THE COST OF THE CONCRETE BARRIER OF THE TYPE INVOLVED.
- 5) FURNISHING AND INSTALLING THE 19 EXPANSION TIE ANCHORS SHALL BE INCLUDED IN THE COST OF THE CONCRETE BARRIER OF THE TYPE INVOLVED.
- 6) THE REMOVAL OF THE EXISTING CONCRETE END BLOCKS IF APPLICABLE SHALL BE INCLUDED IN THE COST OF THE CONCRETE BARRIER OF THE TYPE INVOLVED.

REVISIONS	
NAME	DATE
MDV	01/30/04
MRN	3/29/04
MRN	8/04/04
NLP	8/04/05

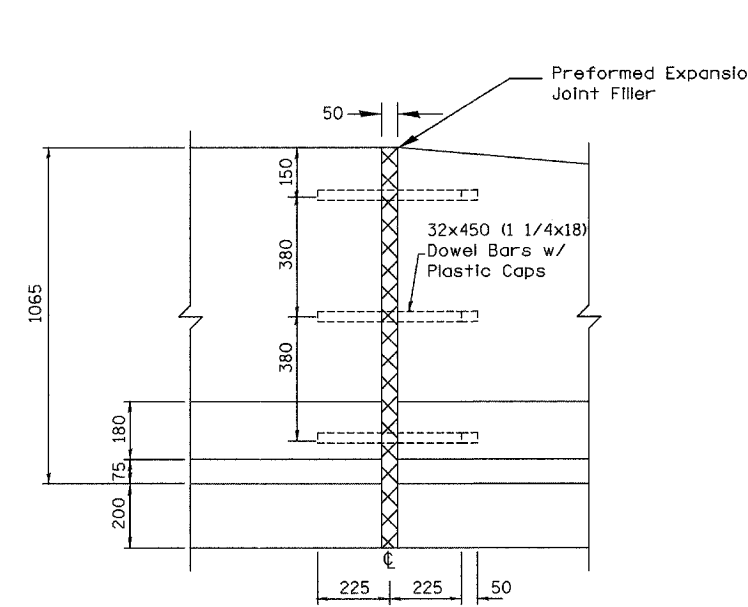
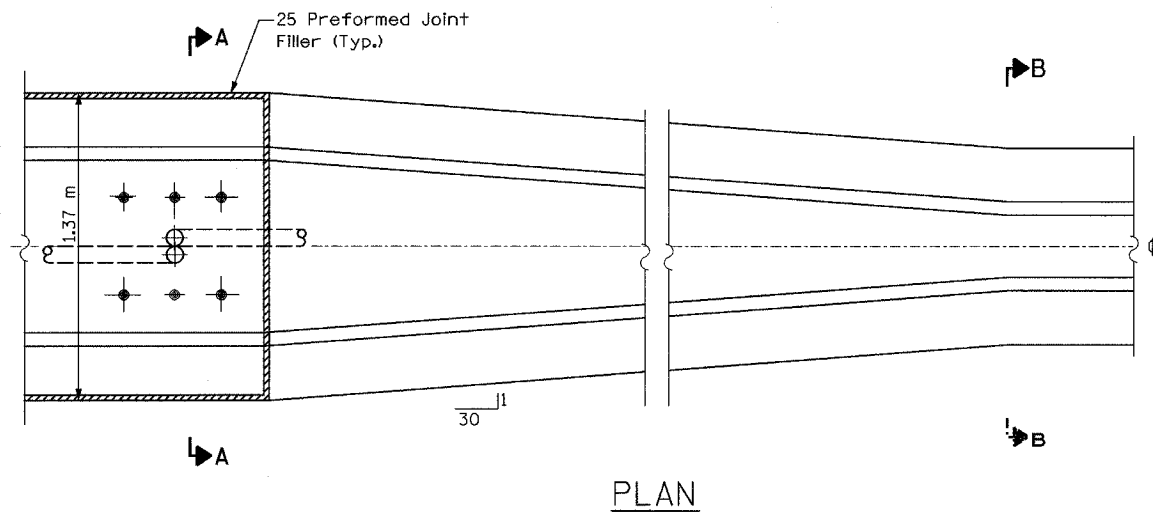
ILLINOIS DEPARTMENT OF TRANSPORTATION
1-80/94/US 6
KINGERY-BORMAN EXPRESSWAY
BURNHAM ROAD TO US 41

CONCRETE BARRIER DETAILS

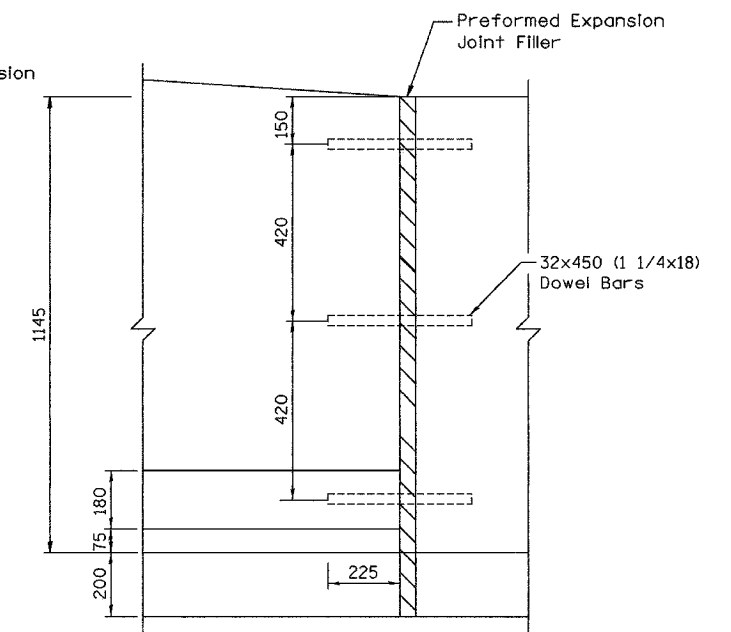
SCALE NONE DRAWN BY ACE/CAD
DATE 07/05 CHECKED BY TAE

AMERICAN
CONSULTING ENGINEERS

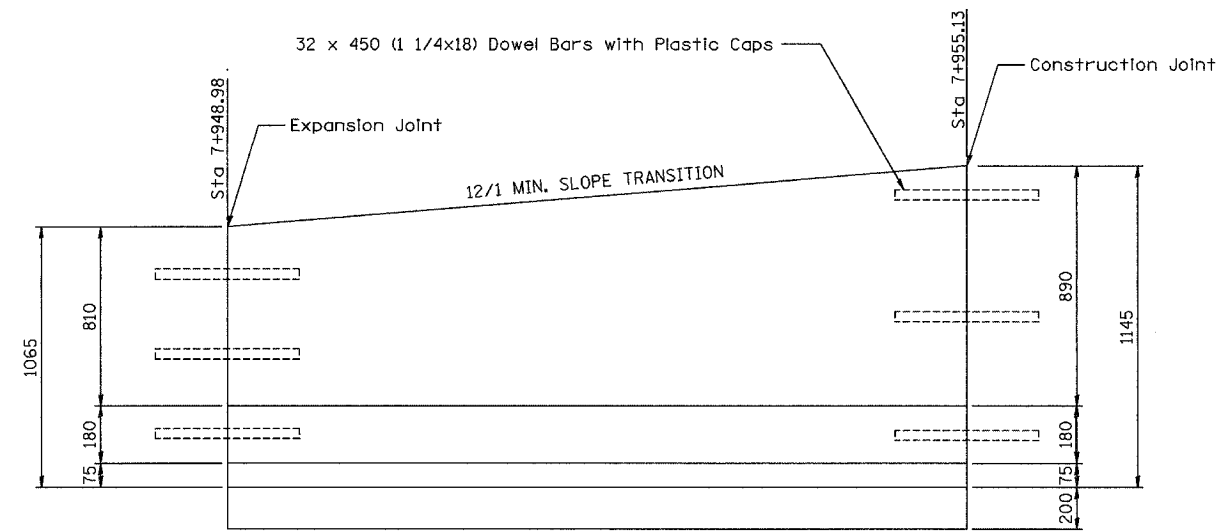
F.A.I. RTE.	SECTION	COUNTY	TOTAL SHEETS	SHEET NO.
80/94	2626.2-R-2	COOK/LAKE	1207	93
STA.	TO STA.			
FED. ROAD DIST. NO.	ILLINOIS	FED. AID PROJECT		
CONTRACT NO. 62114	INDOT DES. NO. 0100987			



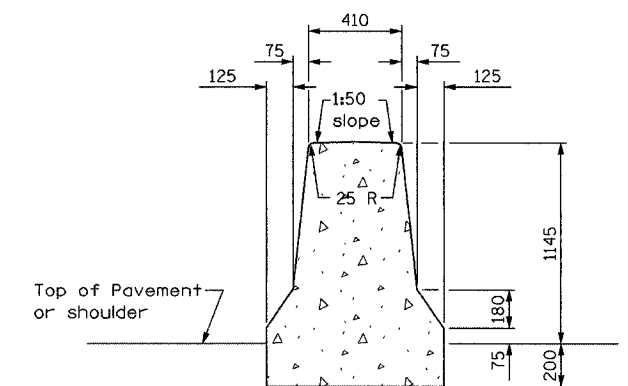
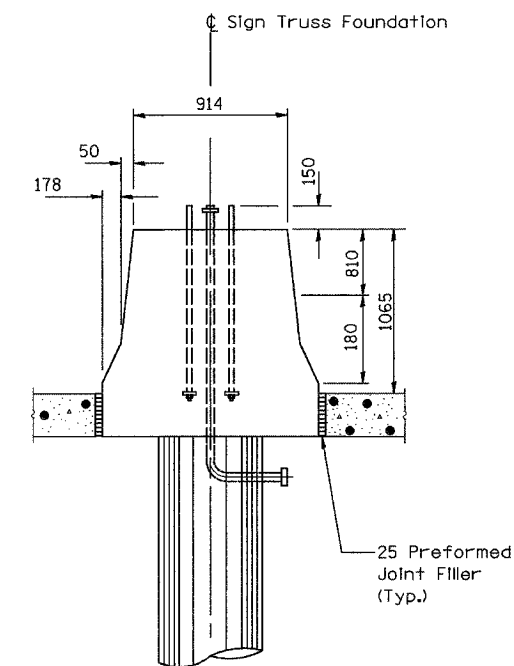
EXPANSION JOINT (1065 WALL)



CONSTRUCTION JOINT (1145 WALL)



ELEVATION



SECTION B-B

NOTES:

- 1) ALL REINFORCING BARS, BAR SPLICERS, TIE BARS AND DWEL BARS SHALL BE SEATED IN THE FINAL POSITION PRIOR TO THE CONCRETE OPERATIONS. BARS CANNOT BE MUCKED INTO PLACE.
- 2) THE FURNISHING AND PLACING OF TIE BARS AND DWEL BARS SHALL BE INCLUDED IN THE COST OF THE CONCRETE BARRIER TRANSITION.
- 3) FOR CONDUIT LOCATIONS, SIZE, AND DETAILS, SEE THE ELECTRICAL AND/OR SURVEILLANCE PLANS. THE FURNISHING AND PLACING OF CONDUITS OF THE SIZE SPECIFIED SHALL BE PAID FOR SEPARATELY. EXPANSION/DEFLECTION COUPLES SHALL BE INCLUDED IN THE COST OF THE CONDUITS, OF THE SIZE SPECIFIED.
- 4) LENGTH OF BARRIER TRANSITION SHALL BE EQUAL TO LONGEST TRANSITION REQUIRED.

REVISIONS	
NAME	DATE

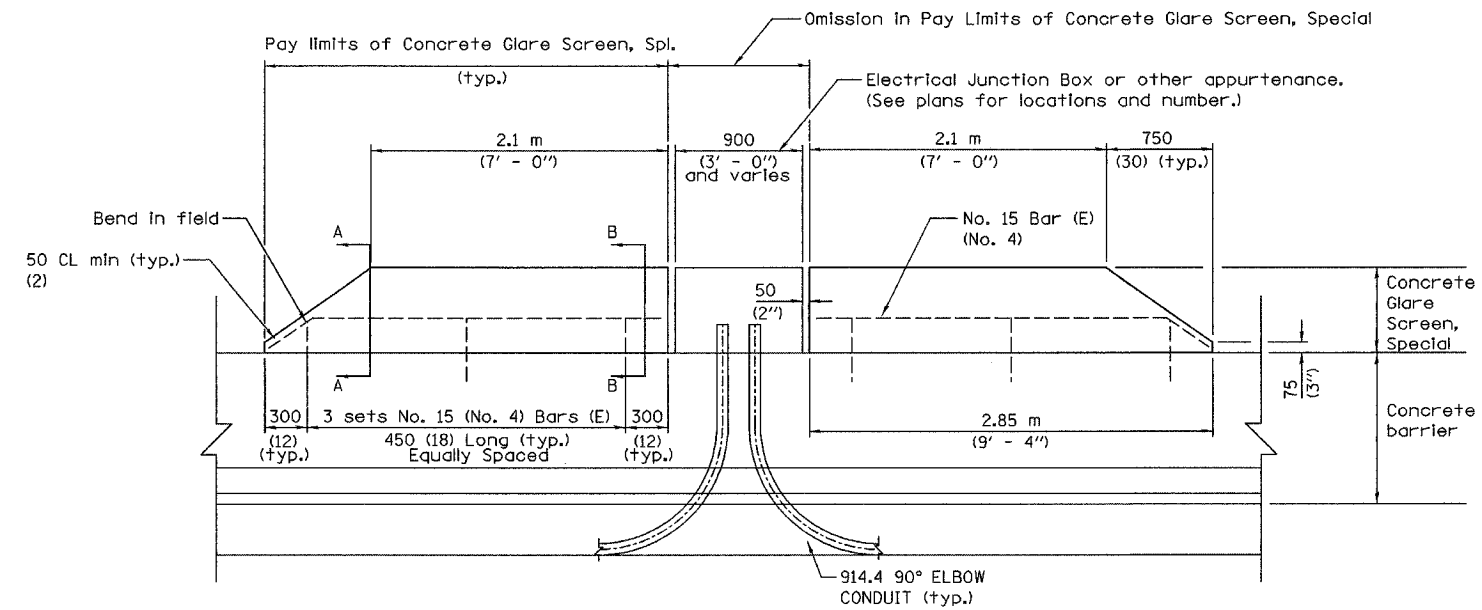
ILLINOIS DEPARTMENT OF TRANSPORTATION
 I-80/94/US 6
 KINGERY-BORMAN EXPRESSWAY
 BURNHAM ROAD TO US 41
BARRIER TRANSITION DETAIL

SCALE NONE
 DATE 07/05

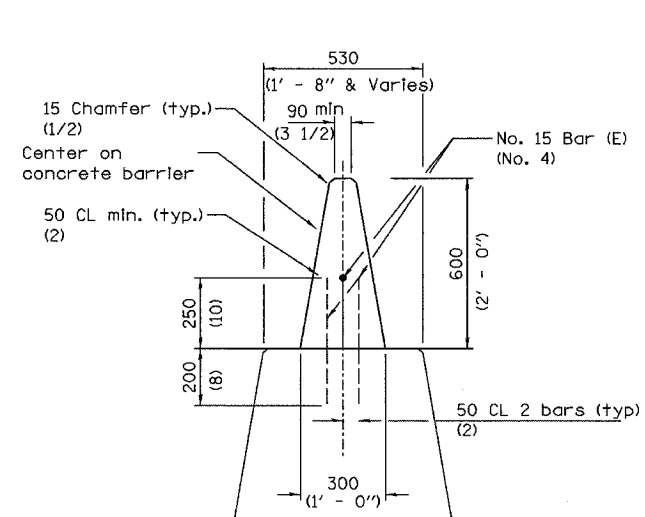
DRAWN BY ACE/CAD
 CHECKED BY TAE

AMERICAN
 CONSULTING ENGINEERS

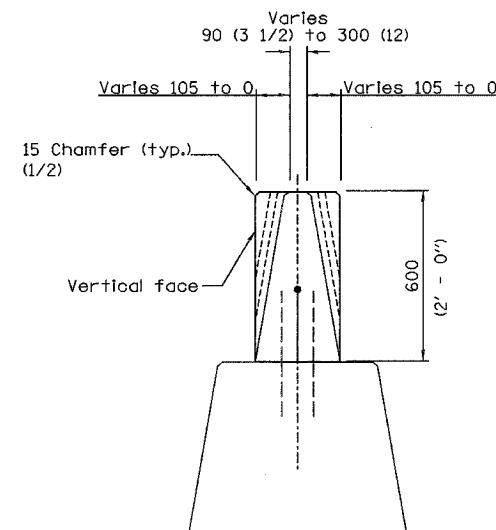
F.A.I. RTE.	SECTION	COUNTY	TOTAL SHEETS	SHEET NO.
80/94	2626.2-R-2	COOK/LAKE	1207	94
STA.		TO STA.		
FED. ROAD DIST. NO.		ILLINOIS FED. AID PROJECT		
CONTRACT NO. 62114		INDOT DES. NO. 0100987		



ELEVATION



SECTION A-A



SECTION B-B

(This section with vertical face shall be used in tangent sections between junction boxes and or other appurtenances.)

All dimensions are in millimeters (inches) unless otherwise shown.

ILLINOIS DEPARTMENT OF TRANSPORTATION
 I-80/94/US 6
 KINGERY-BORMAN EXPRESSWAY
 BURNHAM ROAD TO US 41
**CONCRETE GLARE SCREEN,
 SPECIAL**

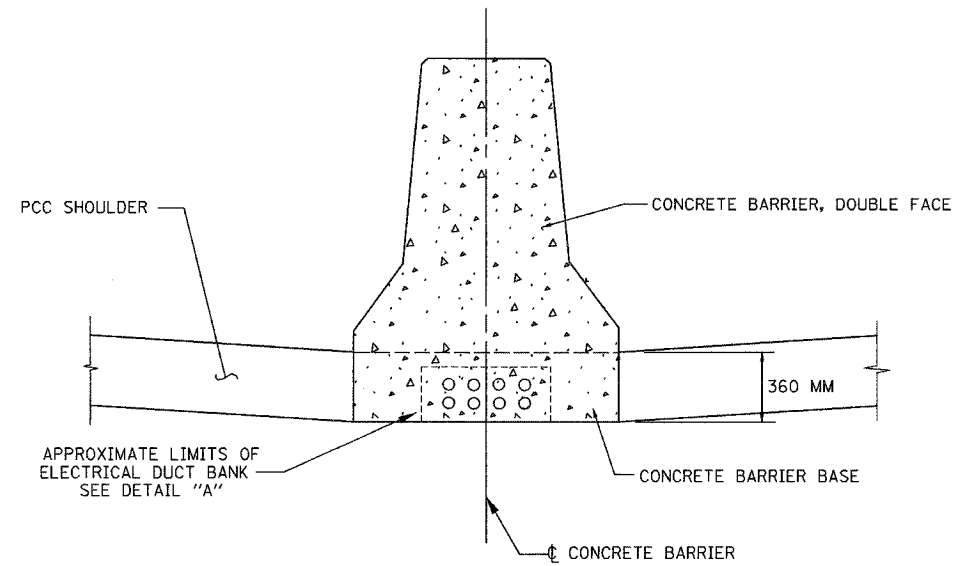
REVISIONS	
NAME	DATE

SCALE NONE
 DATE 07/05
 DRAWN BY ACE/CAD
 CHECKED BY TAE



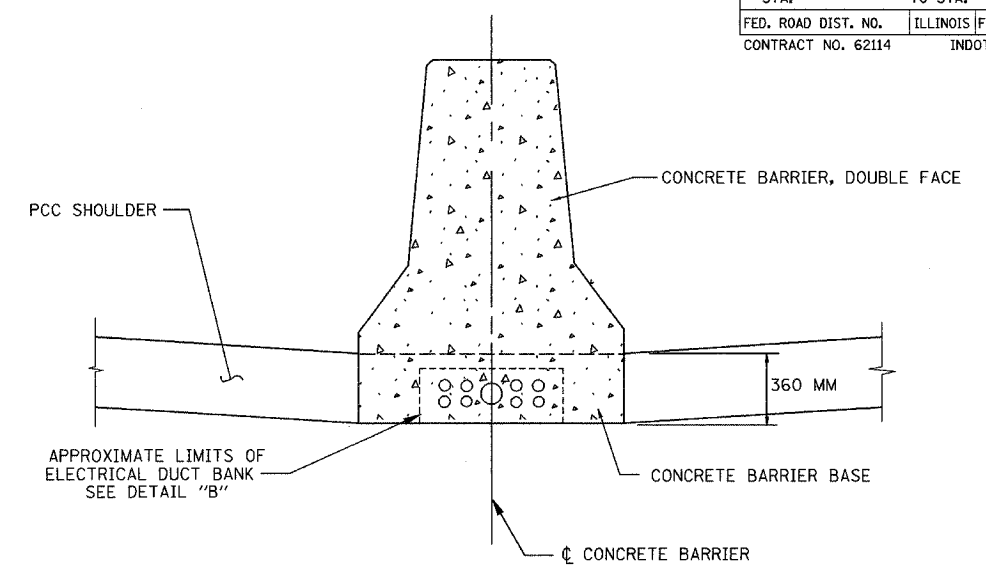
ALL DIMENSIONS IN METERS EXCEPT PAY ITEMS AND UNLESS NOTED OTHERWISE

F.A.I. RTE.	SECTION	COUNTY	TOTAL SHEETS	SHEET NO.
80/94	2626.2-R-2	COOK/LAKE	1207	95
STA.	TO STA.			
FED. ROAD DIST. NO.	ILLINOIS	FED. AID PROJECT		
CONTRACT NO. 62114	INDOT DES. NO. 0100987			



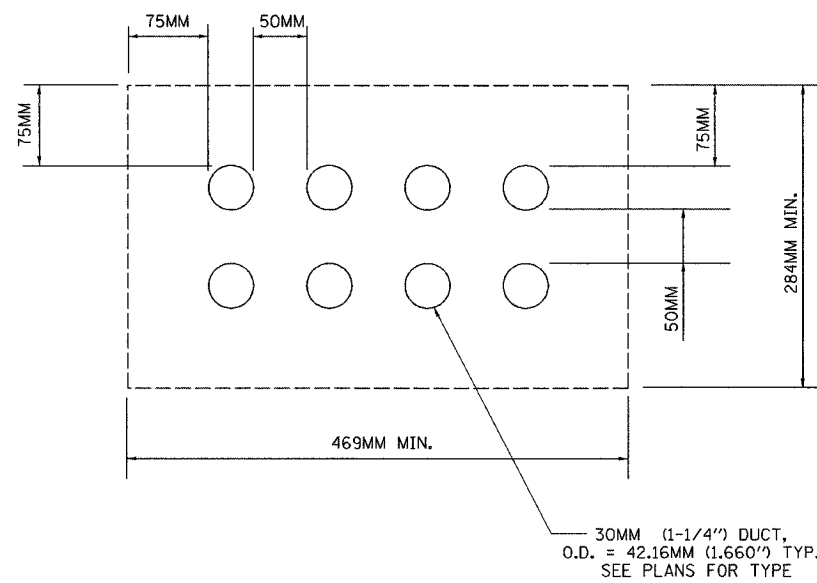
CONCRETE BARRIER, DOUBLE FACE

SHOWING 8 DUCT BANK



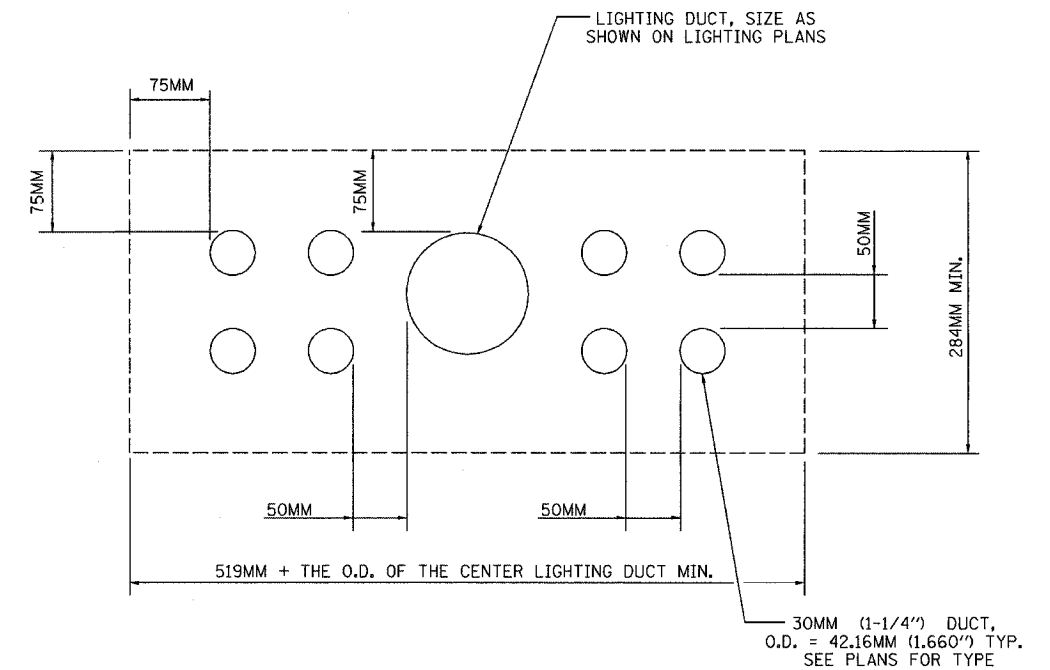
CONCRETE BARRIER, DOUBLE FACE

SHOWING 9 DUCT BANK



DETAIL "A"

SHOWING 8 CONDUITS EMBEDDED IN STRUCTURE



DETAIL "B"

SHOWING 9 CONDUITS EMBEDDED IN STRUCTURE

NOTES:

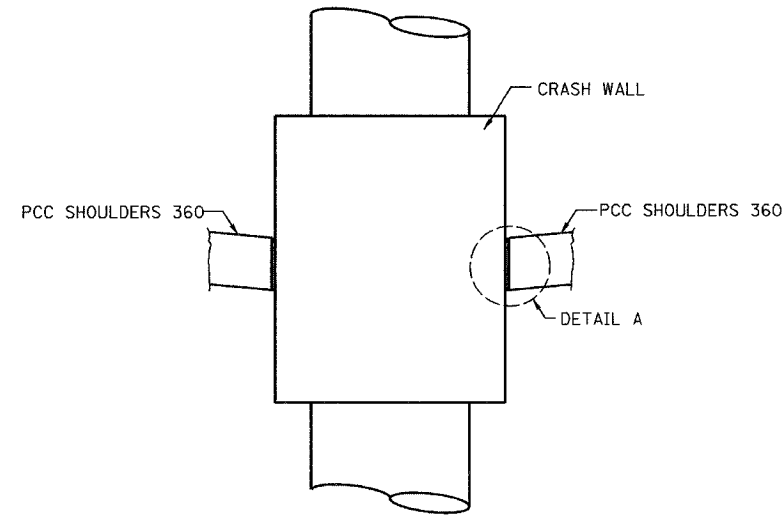
- 1) SEE "CONCRETE BARRIER DETAILS" FOR ADDITIONAL DETAILS OF THE CONCRETE BARRIER AND CONCRETE BARRIER BASE.
- 2) SEE PLANS FOR TYPES OF CONDUIT ENCASED IN CONCRETE.
- 3) THE LIGHTING DUCT SHALL BE OF THE TYPE AND SIZE AS SHOWN ON THE LIGHTING PLANS.

REVISIONS	
NAME	DATE

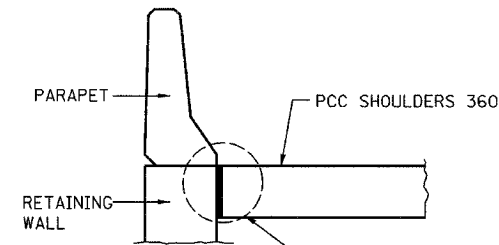
ILLINOIS DEPARTMENT OF TRANSPORTATION
 I-80/94/US 6
 KINGERY-BORMAN EXPRESSWAY
 BURNHAM ROAD TO US 41
**DETAIL FOR CONDUITS
 EMBEDDED IN CONCRETE
 BARRIER BASE**
 SCALE NONE DRAWN BY ACE/CAD
 DATE 07/05 CHECKED BY TAE
AMERICAN
 CONSULTING ENGINEERS

ALL DIMENSIONS IN METERS EXCEPT PAVEMENT ITEMS AND UNLESS NOTED OTHERWISE

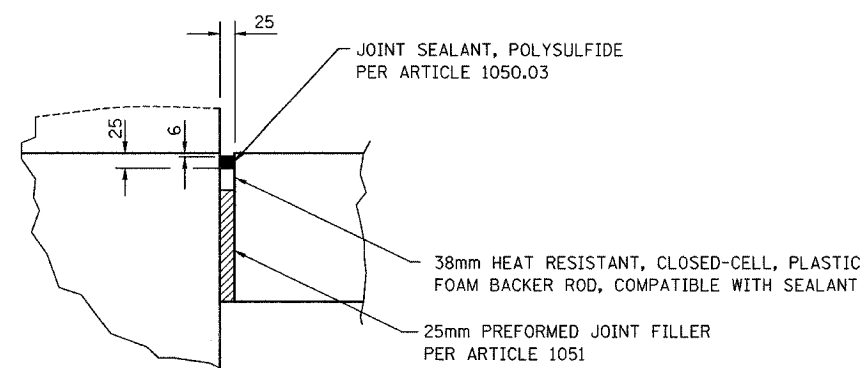
F.A.I. RTE.	SECTION	COUNTY	TOTAL SHEETS	SHEET NO.
80/94	2626.2-R-2	COOK/LAKE	1207	96
STA.		TO STA.		
FED. ROAD DIST. NO.	ILLINOIS	FED. AID PROJECT		
CONTRACT NO. 62114		INDOT DES. NO. 0100987		



ELEVATION VIEW @ CRASH WALL



ELEVATION VIEW @ RETAINING WALL

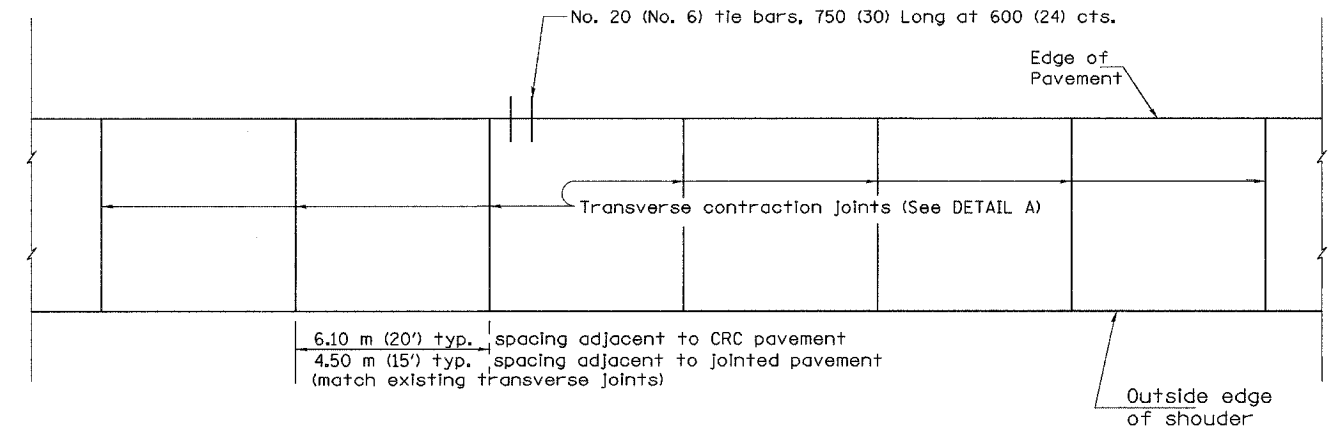


DETAIL A

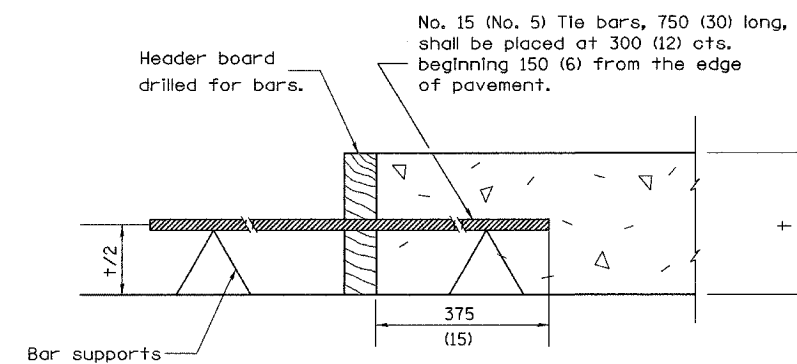
SHOULDER JOINT AT RETAINING WALL / CRASH WALL DETAIL

NOTE: THIS WORK SHALL BE CONSIDERED INCLUDED IN THE COST OF PCC SHOULDERS OF THE DEPTH SPECIFIED

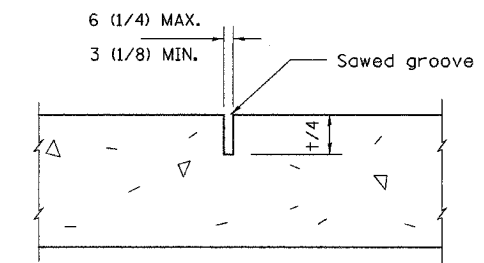
— Longitudinal Construction Joint



PLAN



TRANSVERSE CONSTRUCTION JOINT



DETAIL A
TRANSVERSE CONTRACTION JOINT

NOTES

1. Transverse expansion joints shall be as detailed on Standard 420001 except that dowel bars will not be required.
2. See Standard 420001 for details not shown.

All dimensions are in millimeters (inches) unless otherwise shown.

ILLINOIS DEPARTMENT OF TRANSPORTATION
I-80/94/US 6
KINGERY-BORMAN EXPRESSWAY
BURNHAM ROAD TO US 41

PCC SHOULDER DETAILS

REVISIONS	
NAME	DATE
Added bar supports.	4/05

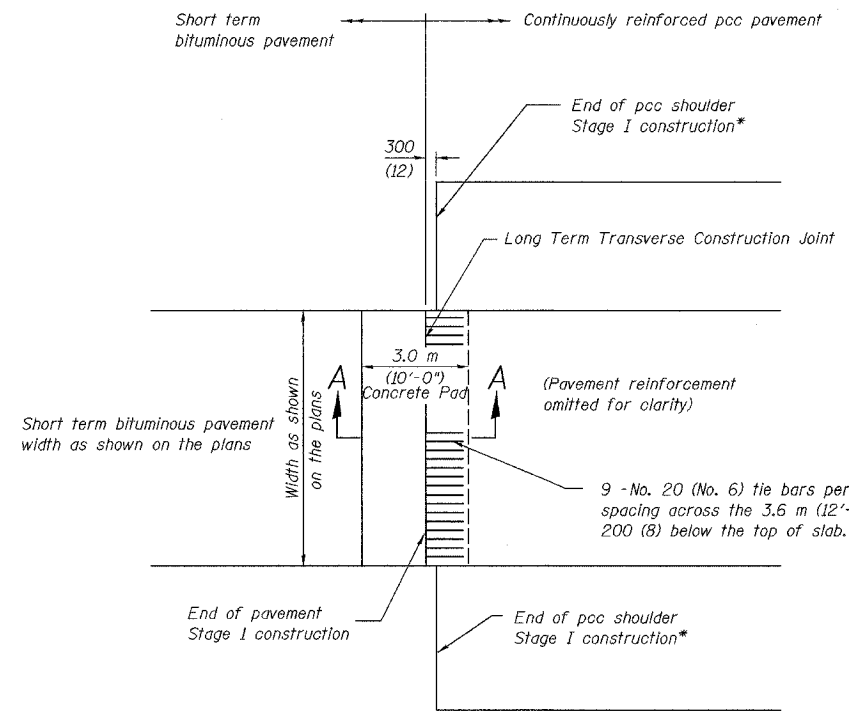
SCALE NTS
DATE 07/05

DRAWN BY ACE/CAD
CHECKED BY TAE

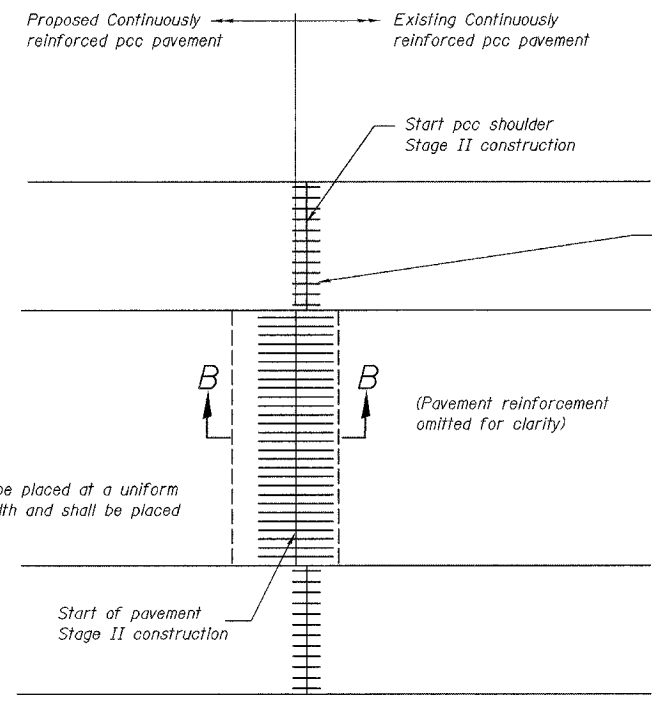


ALL DIMENSIONS IN METERS EXCEPT PAY ITEMS AND UNLESS NOTED OTHERWISE

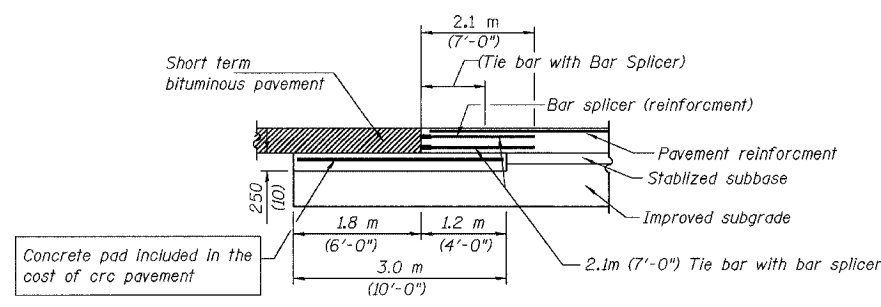
F.A.I. RTE.	SECTION	COUNTY	TOTAL SHEETS	SHEET NO.
80/94	2626.2-R-2	COOK/LAKE	1207	97
STA.		TO STA.		
FED. ROAD DIST. NO.		ILLINOIS FED. AID PROJECT		
CONTRACT NO. 62114		INDOT DES. NO. 0100987		



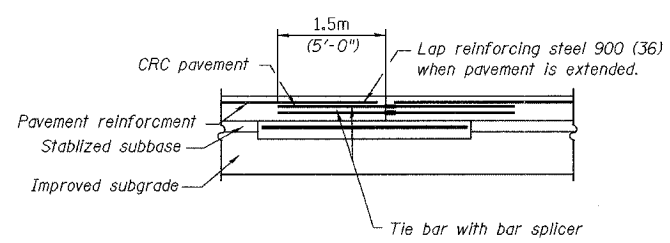
PLAN
(STAGE I CONSTRUCTION)



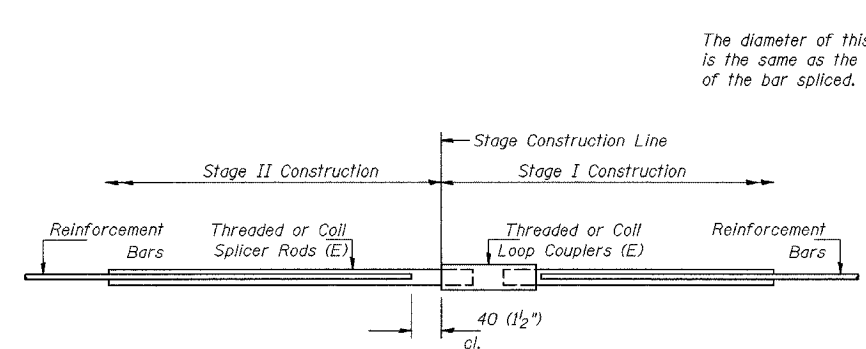
PLAN
(STAGE II CONSTRUCTION)



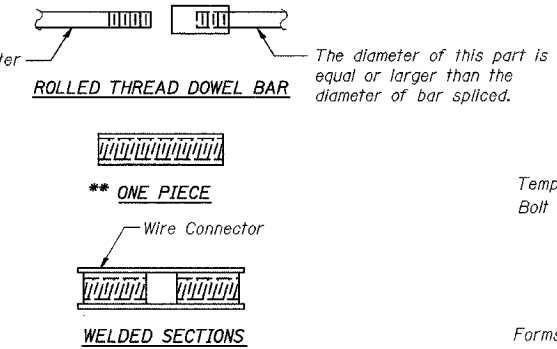
LONG TERM TRANSVERSE CONSTRUCTION JOINT
SECTION A-A
(STAGE I CONSTRUCTION)



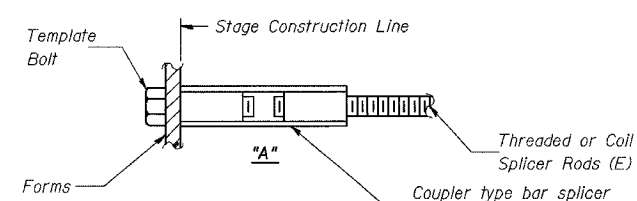
LONG TERM TRANSVERSE CONSTRUCTION JOINT
SECTION B-B
(STAGE II CONSTRUCTION)



BAR SPLICER ASSEMBLY DETAIL
(E) : Indicates epoxy coating.



BAR SPLICER ASSEMBLY ALTERNATIVES
** Heavy Hex Nuts conforming to ASTM A 563M, Grade C, D or DH may be used.



INSTALLATION AND SETTING METHODS
"A" : Set bar splicer assembly by means of a template bolt.
(E) : Indicates epoxy coating.

NOTES

Bar splicer assemblies shall be of an IDOT approved type and shall develop in tension at least 125 percent of the yield strength of the lapped reinforcement bars.

Bar splicers shall be of the "coupler" type, and shall not have flanges.

Splicer rods shall be of minimum 400 MPa yield strength, threaded or coiled full length.

All reinforcement bars shall be lapped and tied to the splicer rods or dowel bars.

Bar splicer assemblies shall be epoxy coated according to the requirements for reinforcement bars.

Other systems of similar design may be submitted to the Engineer for approval. Approval shall be based on certified test results from an approved testing laboratory that the proposed bar splicer assembly satisfies the following requirements:

- Minimum Capacity = $1.25 \times 10^{-3} \times f_y \times A_t$
(Tension in kN)
- Minimum *Pull-out Strength = $1.25 \times 10^{-3} \times f_{sallow} \times A_t$
(Tension in kN)

Where f_y = Yield strength of lapped reinforcement bars in MPa.
 f_{sallow} = Allowable tensile stress in lapped reinforcement bars in MPa (Service Load)
 A_t = Tensile stress area of lapped reinforcement bars (mm²).
* = 28 day concrete

BAR SPLICER ASSEMBLIES			
Bar Size to be Spliced	Splicer Rod or Dowel Bar Length	Strength Requirements	
		Min. Capacity kN (kips) - tension	Min. Pull-Out Strength kN (kips) - tension
#15	610 mm	100	40
#20	790 mm	150	60
#22	1.04 m	200	80
#25	1.37 m	250	100
#30	1.75 m	350	140

Bar splicer assemblies shall be according to Section 508 of the Standard Specifications, except as noted. The furnishing and installation of bar splicer assemblies for Stage I construction will be measured and paid for at the contract unit price each for "BAR SPLICERS, SPECIAL."

Stage I work will be paid for as BAR SPLICERS, SPECIAL. The concrete pad and reinforcement shall not be paid for separately but included in the cost of CONTINUOUSLY REINFORCED PORTLAND CEMENT PAVEMENT, of the thickness specified.

Stage II work includes obtaining, transporting the bar splicers for the second portion of the assembly from the IDOT Bishop Ford Maintenance facility (708) 331-4339, and the installation of the bar splicers, payment for this work will be included in the cost of CONTINUOUSLY REINFORCED PORTLAND CEMENT CONCRETE PAVEMENT of the thickness specified. Tie bars to be drilled and grouted shall not be paid for separately but included in the cost of PORTLAND CEMENT CONCRETE SHOULDERS, of the thickness specified.

GENERAL NOTES

See Standard 421001 for details of CRC pavement reinforcement.

See Standards 420001 and 420401 for details of joints and tie bars not shown.

See Standards 421201 and 421206 for details of concrete pad and transverse terminal joint.

All dimensions are in millimeters (Inches) unless otherwise noted.

REVISIONS	
NAME	DATE
KFA	12/18/03
MDV	1/5/04

ILLINOIS DEPARTMENT OF TRANSPORTATION
I-80/94/US 6
KINGERY-BORMAN EXPRESSWAY
BURNHAM ROAD TO US 41

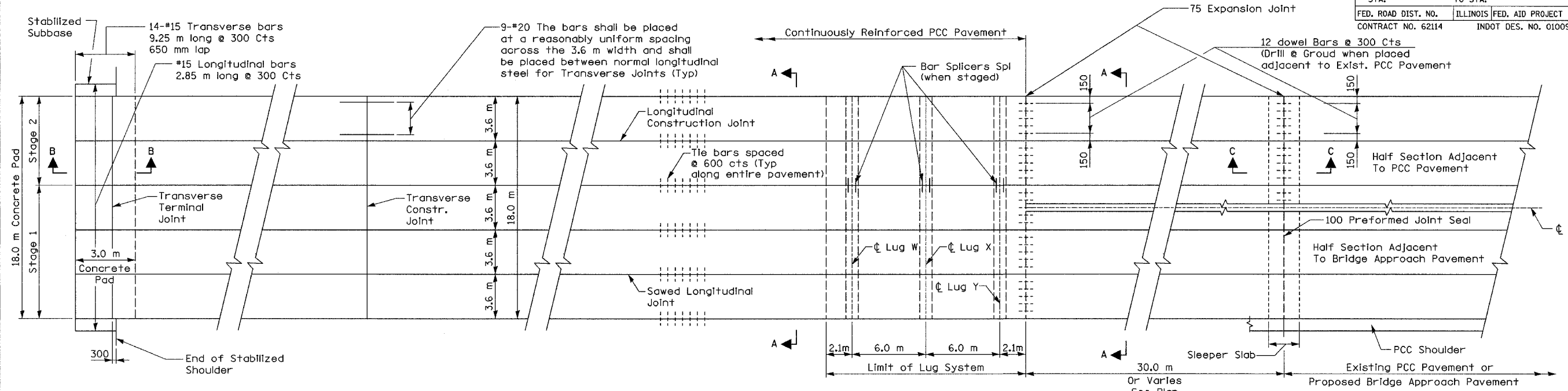
LONG TERM TRANSVERSE CONSTRUCTION JOINT DETAILS

SCALE NONE
DATE 07/05

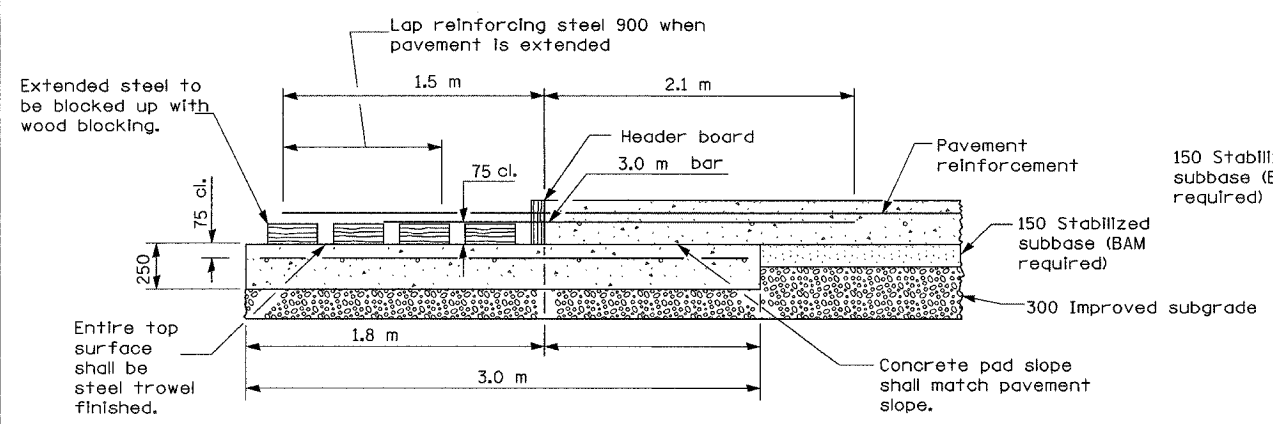
DRAWN BY
CHECKED BY

AMERICAN
CONSULTING ENGINEERS

F.A.I. RTE.	SECTION	COUNTY	TOTAL SHEETS	SHEET NO.
80/94	2626.2-R-2	COOK/LAKE	1207	98
STA.	TO STA.			
FED. ROAD DIST. NO.	ILLINOIS FED. AID PROJECT			
CONTRACT NO. 62114	INDOT DES. NO. 0100987			

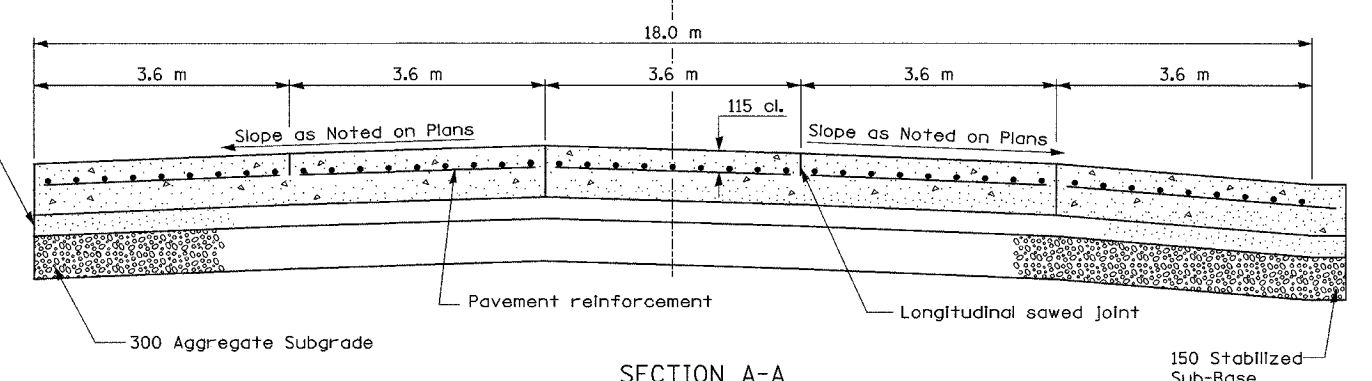


PLAN

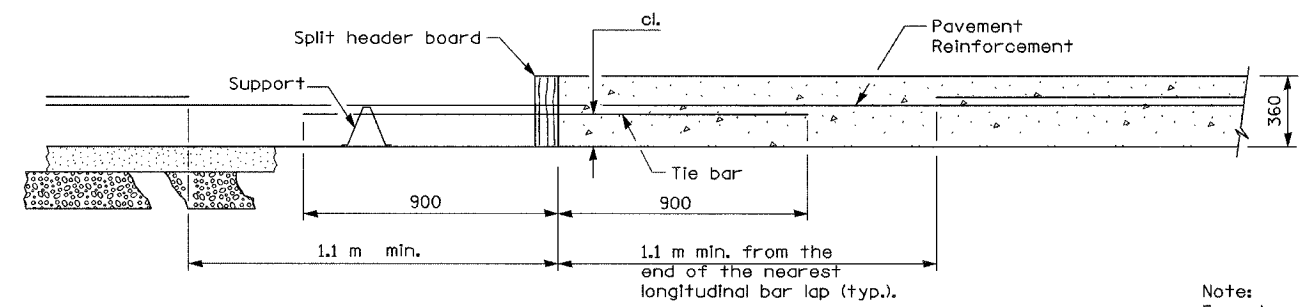


TRANSVERSE TERMINAL JOINT

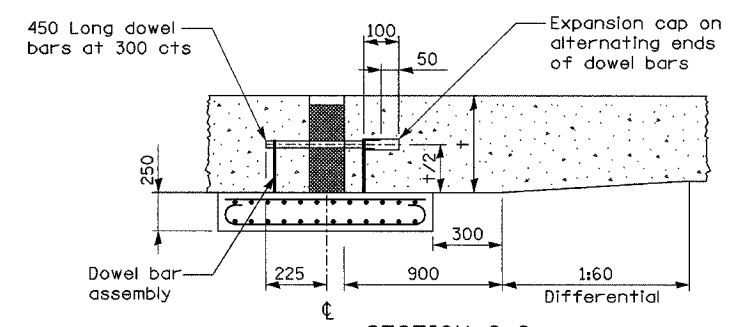
SECTION B-B



SECTION A-A



TRANSVERSE CONSTRUCTION JOINT



SECTION C-C

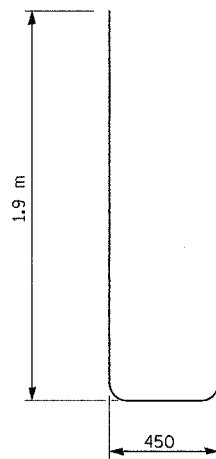
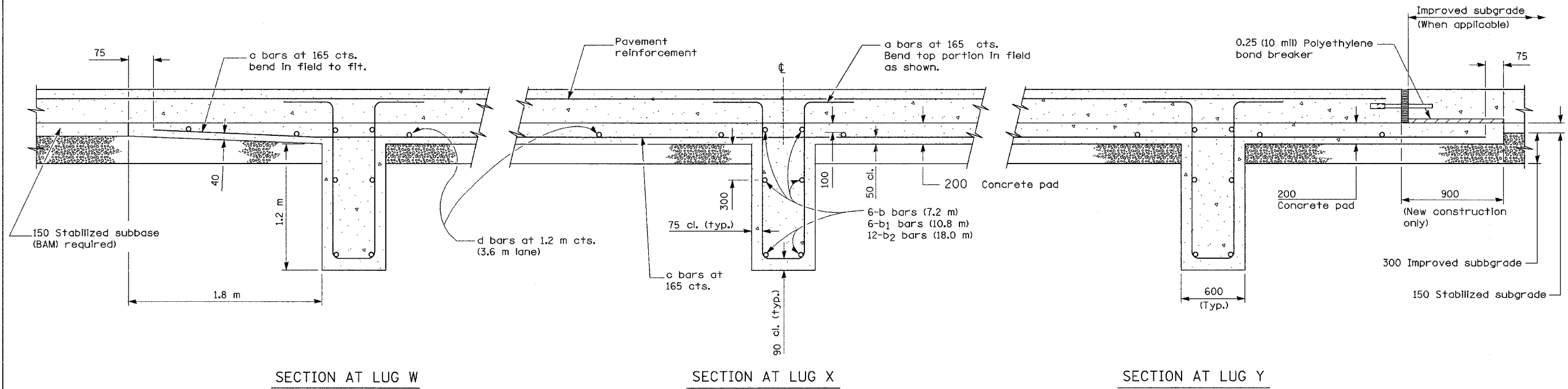
Note:
For stage construction of Transverse Construction Joint, see detail for Long Term Construction Joint Details.

All dimensions are in millimeters unless otherwise shown.

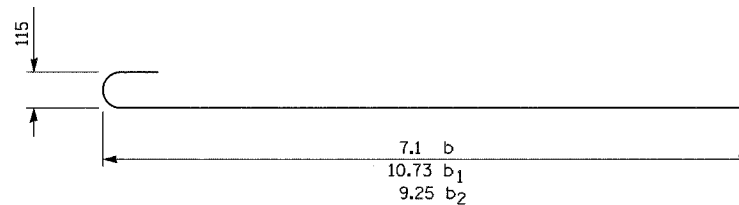
REVISIONS	
NAME	DATE

ILLINOIS DEPARTMENT OF TRANSPORTATION
I-80/94/US 6
KINGERY-BORMAN EXPRESSWAY
BURNHAM ROAD TO US 41
**18.0 M CRC PAVEMENT
(WITH LUG SYSTEM)**
SCALE NONE DRAWN BY ACE/CAD
DATE 07/05 CHECKED BY TAE
AMERICAN
CONSULTING ENGINEERS

F.A.I. RTE.	SECTION	COUNTY	TOTAL SHEETS	SHEET NO.
80/94	2626.2-R-2	COOK/LAKE	1207	99
STA.	TO STA.			
FED. ROAD DIST. NO.	ILLINOIS	FED. AID PROJECT		
CONTRACT NO. 62114	INDOT DES. NO. 0100987			



BAR a



BAR b

GENERAL NOTES

(See Detail for "Bar Reinforcement for 4.2 m CRC Pavement Reinforcement" for 4.2 m lane.

See Standard 421001 for details of pavement reinforcement for 3.6 m lane.

See Standards 420001 and 420401 for joint details not shown.

All dimensions are in millimeters unless otherwise shown.

MATERIALS REQUIRED FOR (1) ONE LUG SYSTEM
(Excluding Pavement Concrete and Pavement Reinforcement)

Number of bars

Bar	Stg. I	Stg. II	Stg. III	Size	Length	Shape
a	198	132	330	No. 25	4.25	
b	-	18	-	No. 15	7.29	
b ₁	18	-	-	No. 15	10.92	
b ₂	-	-	36	No. 15	9.44	
c	198	132	330	No. 15	6.10	
d	42	28	70	No. 13	3.52	

	Stg. I (10.8m)	Stg. II (7.2m)	Stg. III (18.0m)
Concrete, m ³	23.4	15.6	39.0
Reinforcing Bars, kg	5740	3846	9586
Concrete Pad, m ²	156.0	104.0	260.0
Improved Subgrade, m ²	175.5	117.0	292.5

All reinforcement shall be epoxy coated.

REVISIONS	
NAME	DATE

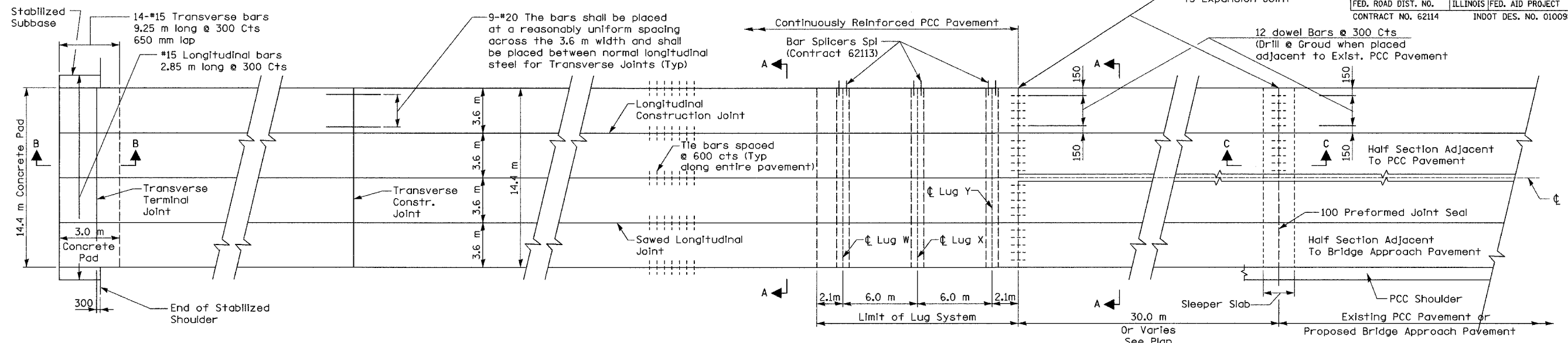
ILLINOIS DEPARTMENT OF TRANSPORTATION
I-80/94/US 6
KINGERY-BORMAN EXPRESSWAY
BURNHAM ROAD TO US 41

**18.0 M CRC PAVEMENT
(WITH LUG SYSTEM)**

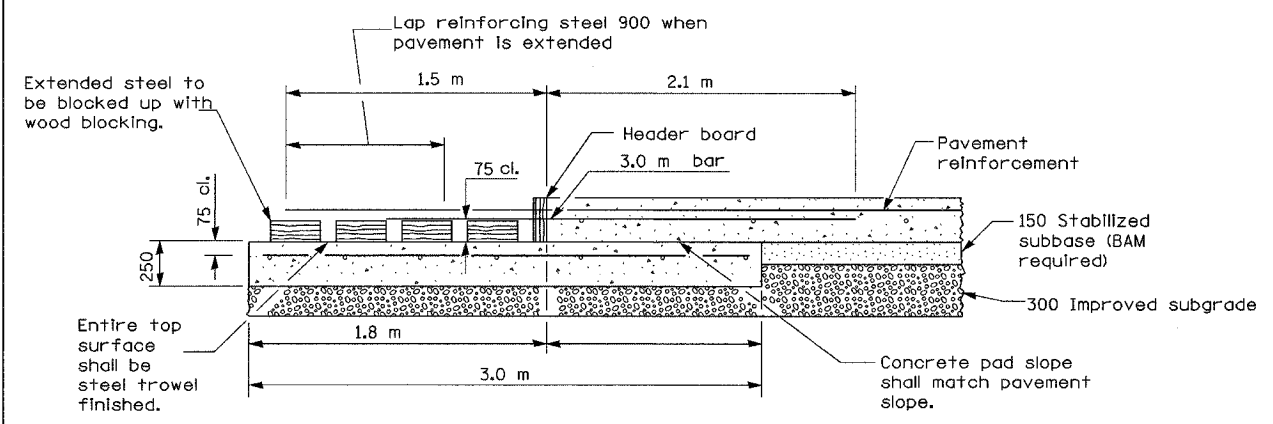
SCALE NONE DRAWN BY ACE/CAD
DATE 07/05 CHECKED BY TAE

AMERICAN
CONSULTING ENGINEERS

F.A.I. RTE.	SECTION	COUNTY	TOTAL SHEETS	SHEET NO.
80/94	2626.2-R-2	COOK/LAKE	1207	100
STA.	TO STA.			
FED. ROAD DIST. NO.	ILLINOIS FED. AID PROJECT			
CONTRACT NO. 62114	INDOT DES. NO. 0100987			

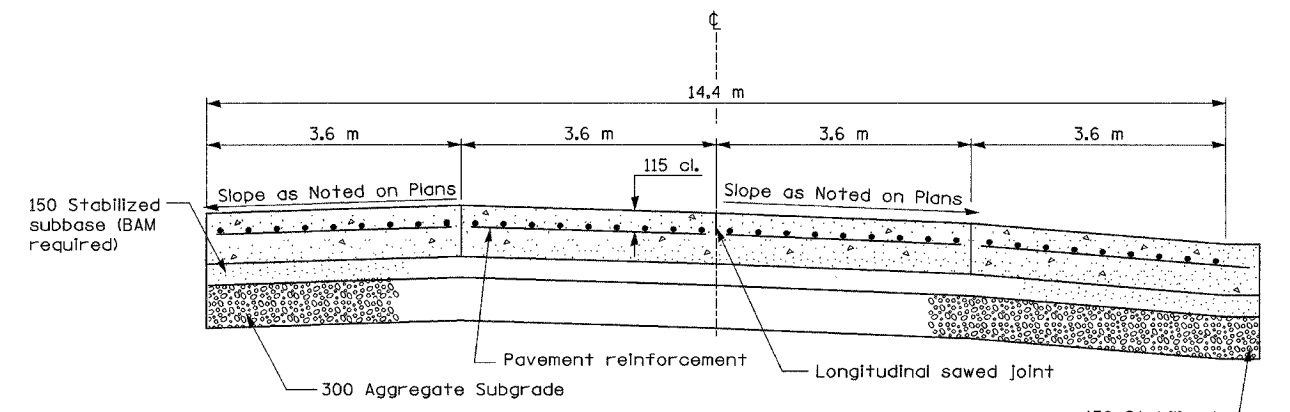


PLAN

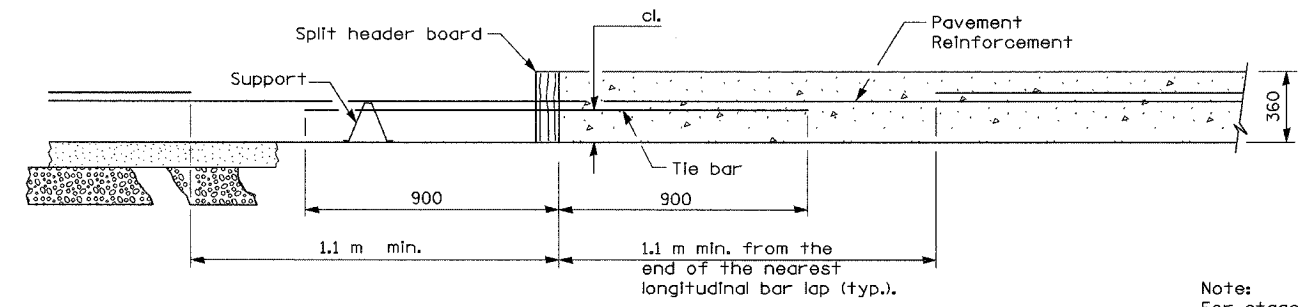


TRANSVERSE TERMINAL JOINT

SECTION B-B

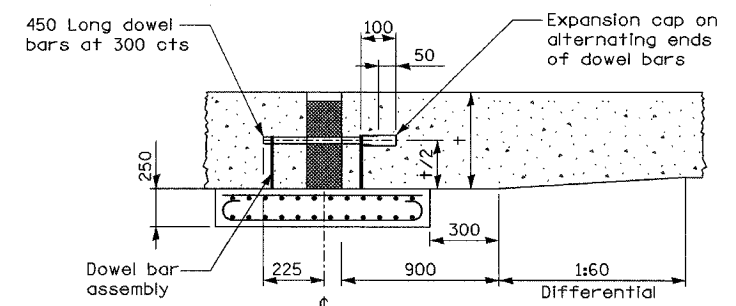


SECTION A-A



TRANSVERSE CONSTRUCTION JOINT

All dimensions are in millimeters unless otherwise shown.



SECTION C-C

Note:
For stage construction of Transverse Construction Joint, see detail for Long Term Construction Joint Details.

REVISIONS	
NAME	DATE

ILLINOIS DEPARTMENT OF TRANSPORTATION
I-80/94/US 6
KINGERY-BORMAN EXPRESSWAY
BURNHAM ROAD TO US 41
**14.4 M CRC PAVEMENT
(WITH LUG SYSTEM)**
SCALE NONE DRAWN BY ACE/CAD
DATE 07/05 CHECKED BY TAE

I:\Projects\10100111a.rvt 05/12/2005 02:00:45 PM