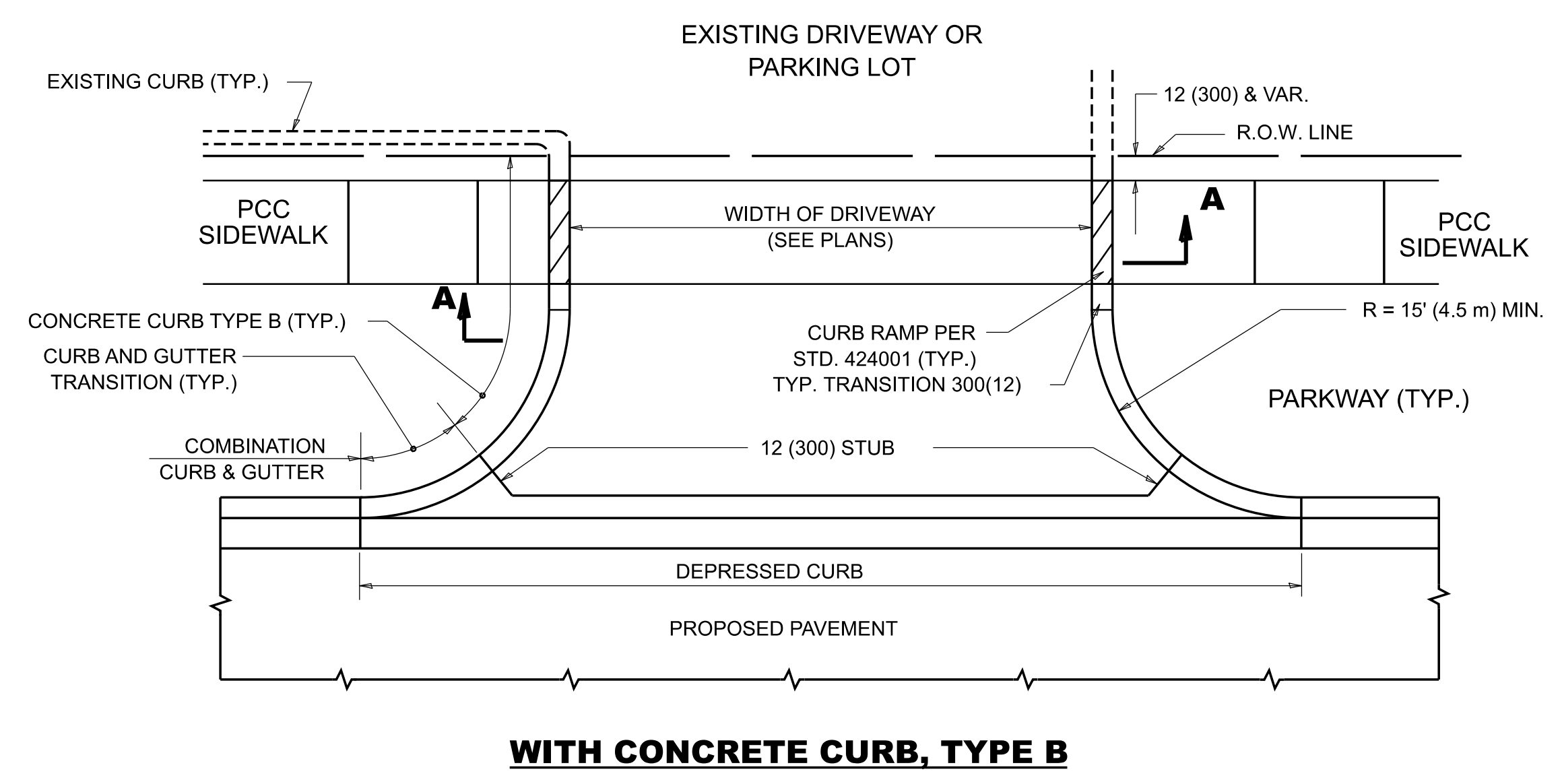
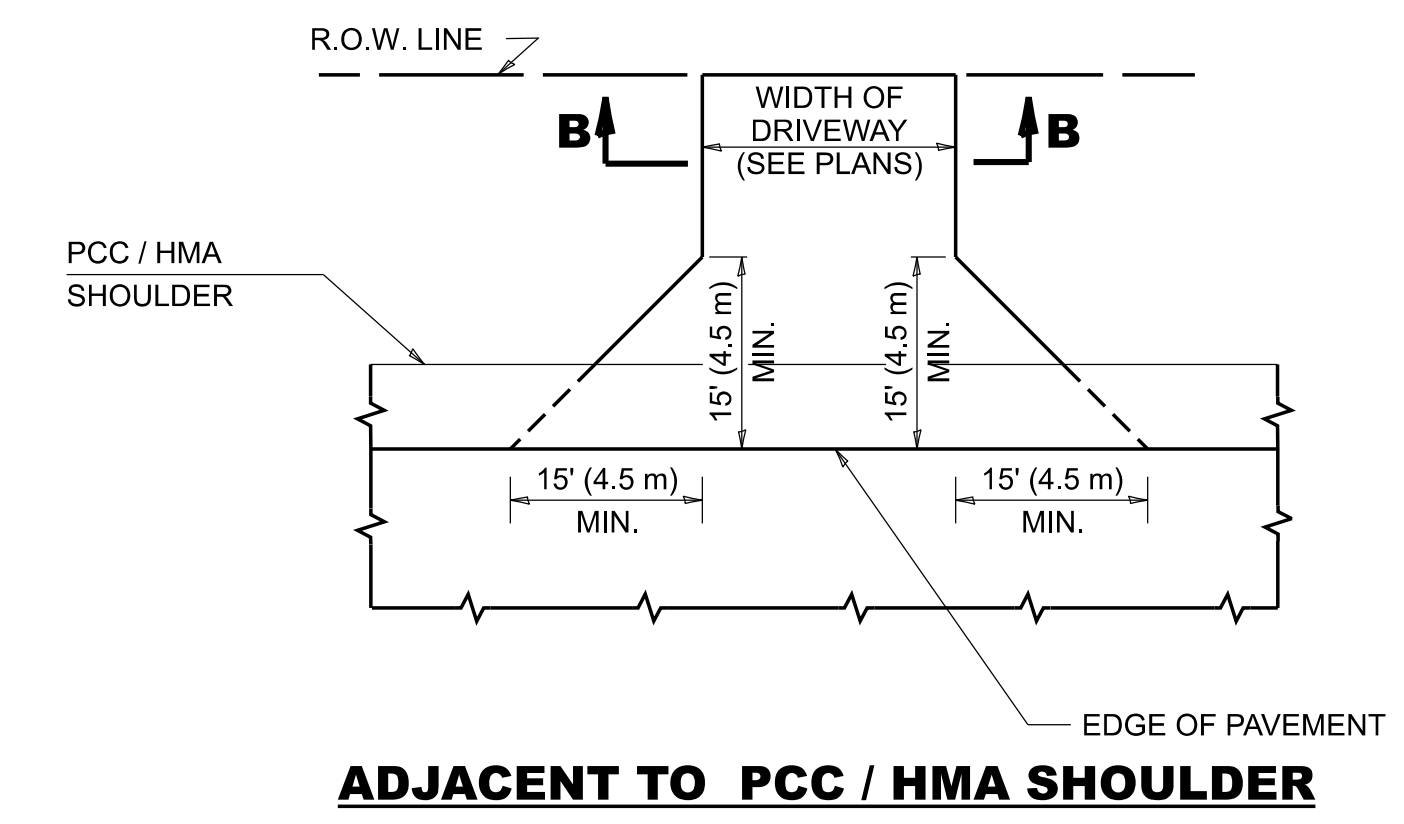


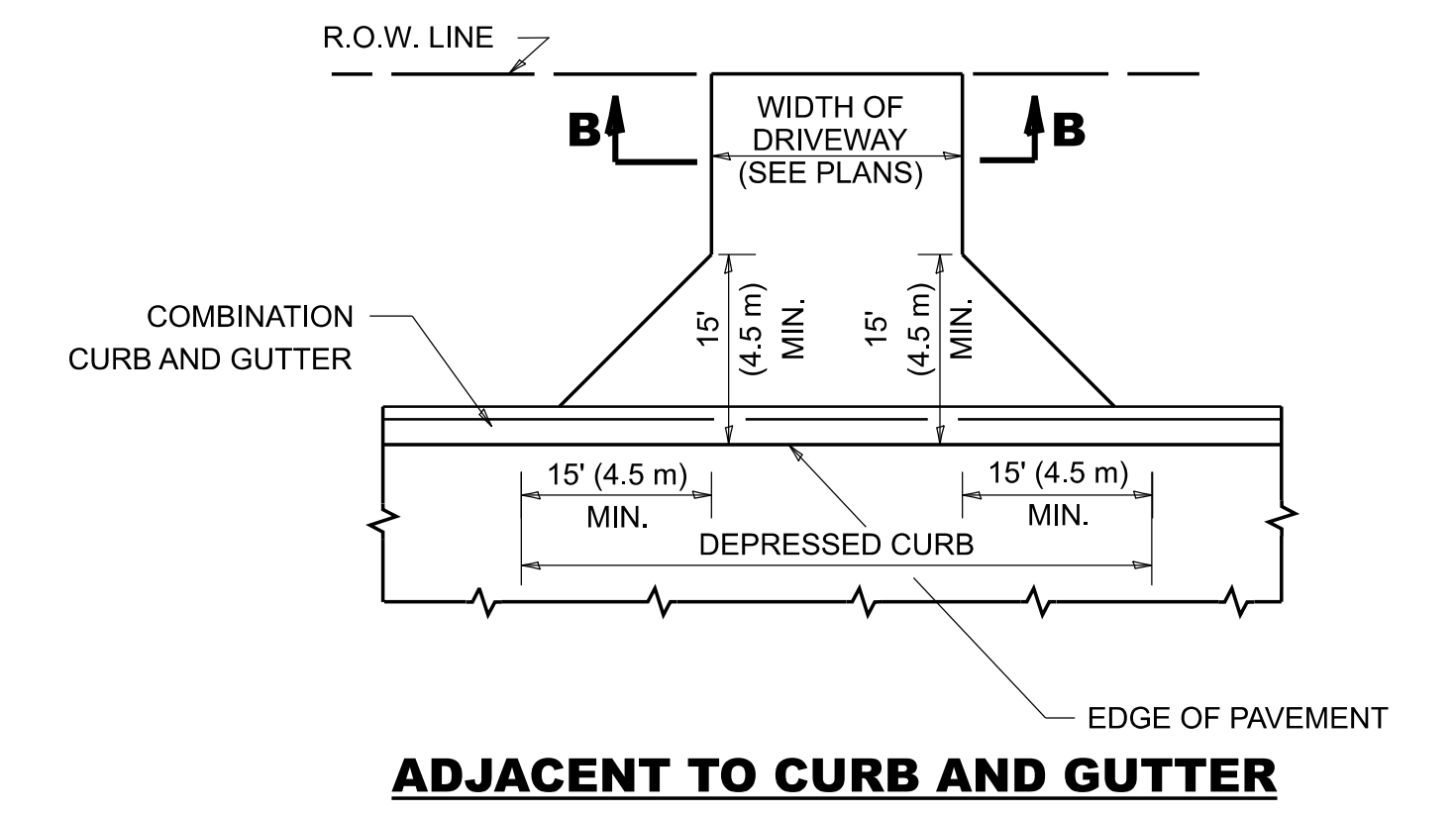
MODEL: Plan Single (Sheet)
 FILE NAME: Z:\DOT\CAD_ORD Folder Master\Master_Files\DOT\CAD_CONNECT\Configuration\Organization\Organizational-Civil\DOT_Standards\Drawings\Sheet_Sections\Civil_Named_Boundary_Sheet_Sections.dgn



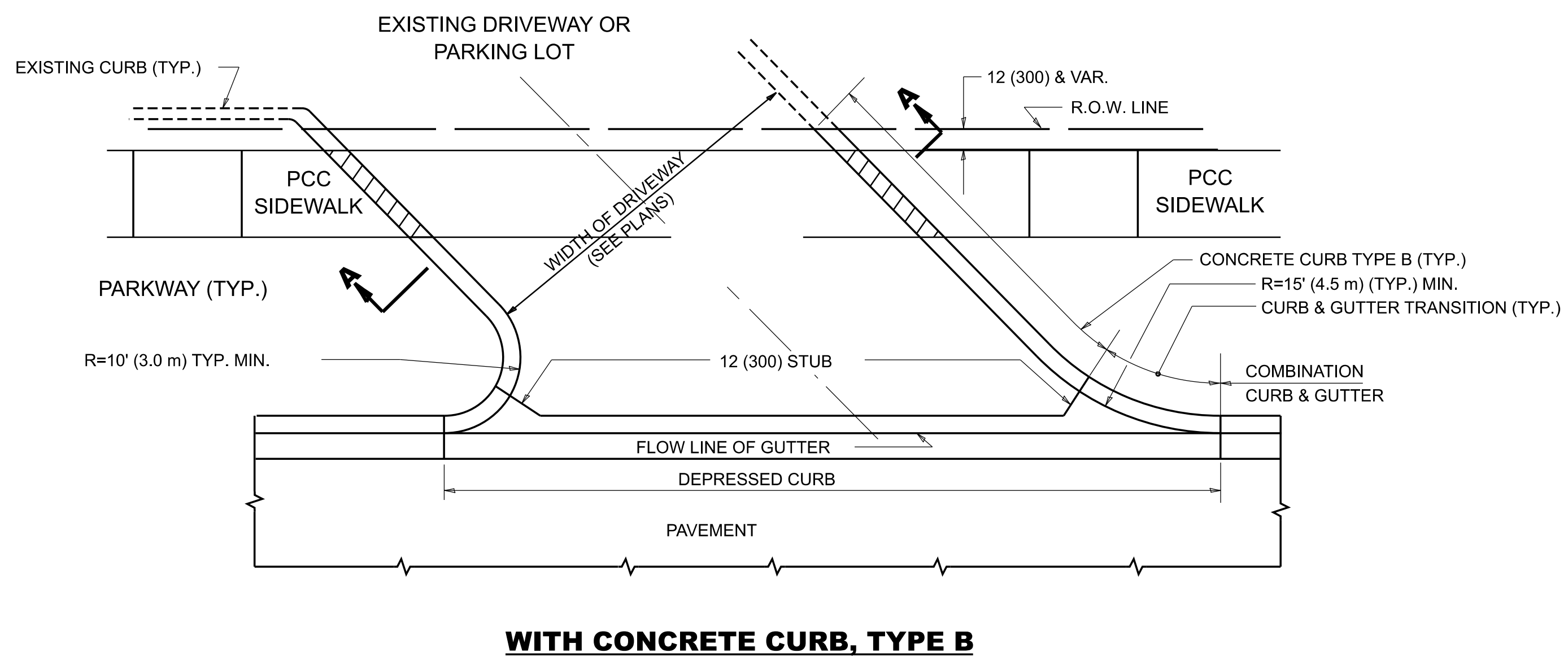
WITH CONCRETE CURB, TYPE B



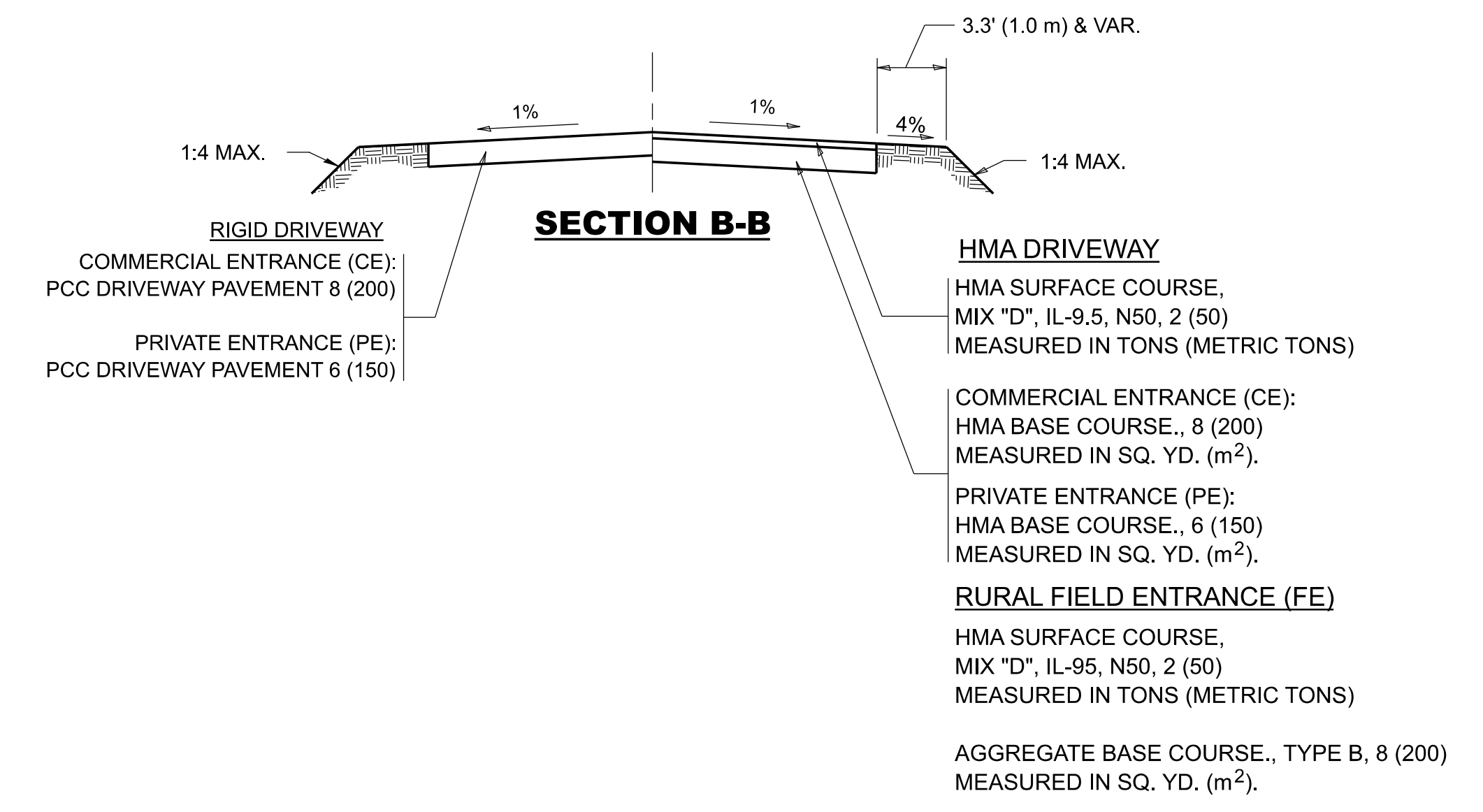
ADJACENT TO PCC / HMA SHOULDER



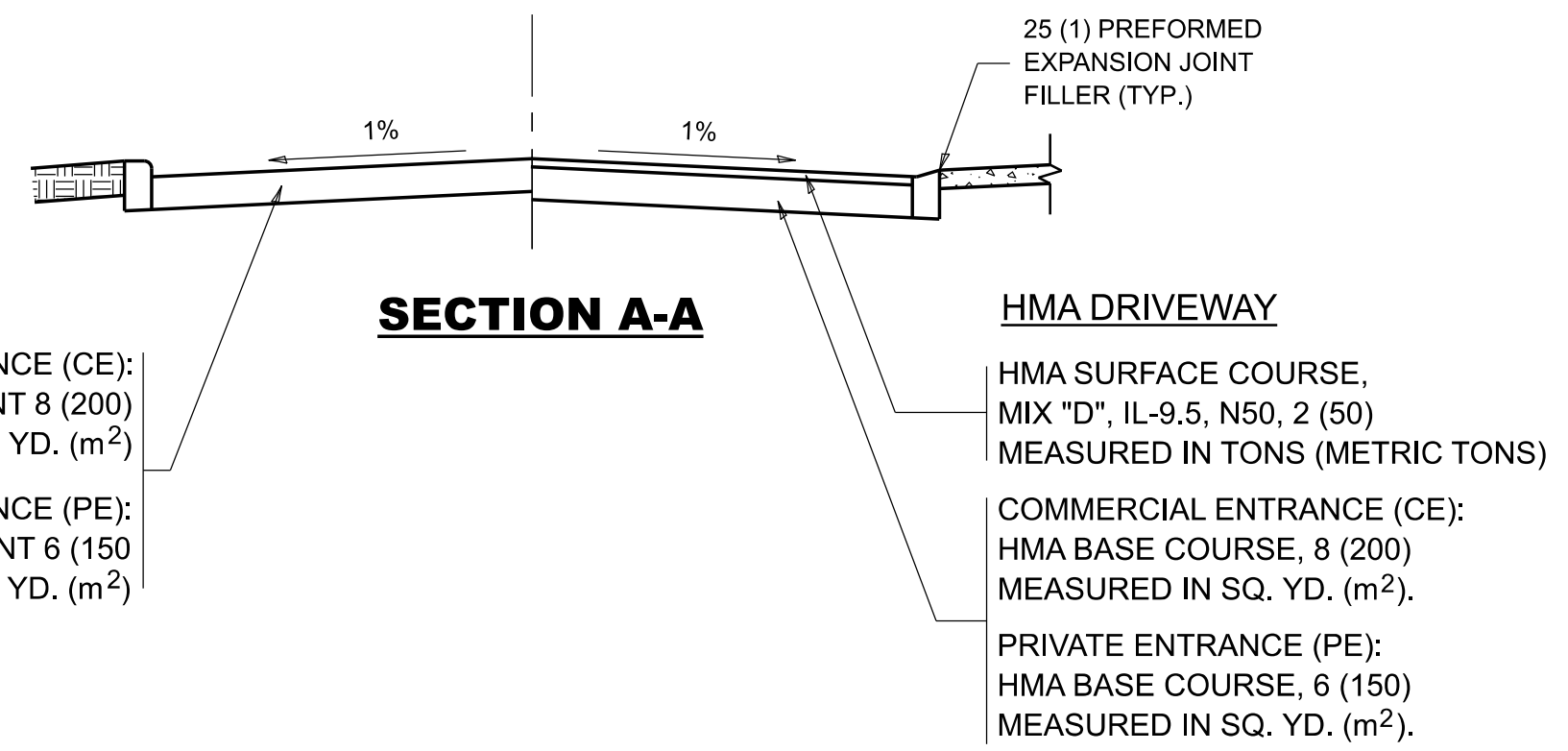
ADJACENT TO CURB AND GUTTER



WITH CONCRETE CURB, TYPE B



SECTION B-B



SECTION A-A

GENERAL NOTES

1. DRIVEWAY SLOPES, LOCATIONS, & GEOMETRIC LAYOUT SHALL BE IN ACCORDANCE WITH THE LATEST EDITION OF THE "HANDBOOK FOR POLICY ON PERMITS FOR ACCESS DRIVEWAYS TO STATE HIGHWAYS". FOR FURTHER LAYOUT REQUIREMENTS, REFER TO ILLUSTRATIONS IN THE PERMIT HANDBOOK. DRIVEWAYS SHALL BE REPLACED IN KIND, UNLESS OTHERWISE NOTED ON THE PLANS.
2. COMMERCIAL DRIVEWAYS SHALL BE CONSTRUCTED WITH CONCRETE CURB, TYPE B RETURNS EXCEPT WHEN THE SIDEWALK EDGE IS 4 FEET (1.2 METERS) OR LESS FROM THE BACK OF CURB, CONSTRUCT A FLARE DRIVEWAY WITHOUT CURB.

ALL DIMENSIONS ARE IN INCHES (MILLIMETERS) UNLESS OTHERWISE NOTED.

USER NAME = eric.l.thomas	DESIGNED - R. SHAH	REVISED - R. BORO 06-11-08
PLOT SCALE = 0.08333317' / in.	DRAWN - R. BORO 09-06-11	REVISED - K. SMITH 08-28-19
PLOT DATE = 8/30/2023	CHECKED -	REVISED - K. SMITH 11-18-22
	DATE - 11-04-95	

**STATE OF ILLINOIS
DEPARTMENT OF TRANSPORTATION**

DRIVEWAY DETAILS - DISTANCE BETWEEN R.O.W. AND FACE OF CURB & EDGE OF SHOULDER >15'(4.5m)			
SCALE: NONE	SHEET 1	OF 1 SHEETS	STA. TO STA.

F.A. RTE.	SECTION	COUNTY	TOTAL SHEETS	SHEET NO.
	BD400-01 (BD-01)			000
ILLINOIS			CONTRACT NO.	
FED. AID PROJECT				