

GENERAL NOTES:

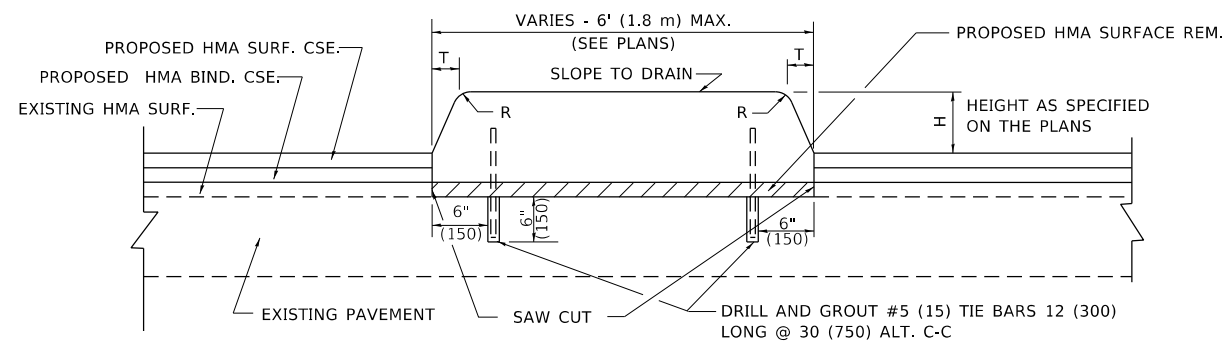
1. CORRUGATED MEDIAN (MODIFIED) SHALL BE CONSTRUCTED IN ACCORDANCE WITH SECTION 606 OF THE STANDARD SPECIFICATIONS AND THE APPLICABLE PORTIONS OF STATE STANDARD 606306.
2. CONCRETE MEDIAN TYPE SB (DOWELLED) SHALL BE CONSTRUCTED IN ACCORDANCE WITH THE APPLICABLE PORTIONS OF STATE STANDARD 606301 AND SECTION 606 OF THE STANDARD SPECIFICATIONS.
3. WITH THE APPROVAL OF THE ENGINEER, THE CONTRACTOR MAY DELETE THE SAW CUT IF A NEAT JOINT CAN BE OBTAINED BY MILLING THE HMA SURFACE TO BE REMOVED. SAW CUT WILL BE INCLUDED IN THE COST OF CORRUGATED MEDIAN (MODIFIED)
4. FOR TYPE SB (DOWELLED) MEDIAN WIDTH LESS THAN 4' (1.2 m) USE ONE ROW OF #5 (15) BARS @ 30 (750) C-C ALONG THE MEDIAN CENTERLINE.

METHOD OF MEASUREMENT:

THIS WORK SHALL BE MEASURED FOR PAYMENT PER SQUARE FOOT (SQUARE METER) MEASURED IN PLACE

BASIS OF PAYMENT

1. THIS WORK WILL BE PAID FOR AT THE CONTRACT UNIT PRICE PER SQUARE FOOT (SQUARE METER) FOR "CORRUGATED MEDIAN (MODIFIED)" OR CONCRETE MEDIAN TYPE SB (DOWELLED)
2. SAW CUT SHALL BE INCLUDED IN THIS COST OF CORRUGATED MEDIAN (MODIFIED) OR CONCRETE MEDIAN TYPE SB (DOWELLED).
3. WELDED WIRE REINFORCEMENT SHALL BE INCLUDED IN THE COST OF CORRUGATED MEDIAN (MODIFIED)
4. TIE BARS SHALL BE INCLUDED IN THE COST OF "CONCRETE MEDIAN TYPE SB (DOWELLED)"
5. HMA SURFACE REMOVAL WILL BE PAID FOR SEPARATELY.



H	R	T
6(150)	1(25)	1(25)
9(225)	1(25)	2(50)

MODEL: Default
FILE: h:\mhc\paw\hwy\dot\Documents\DOT_Offices\DHrdt. I:\Projects\DH522\23\ACADD\Drawings\CAD\Print\BD600-02.dgn

USER NAME = Lawrence,DeManche	DESIGNED - M. DE YONG	REVISED - R. SHAH 10-25-94
	DRAWN -	REVISED - E. GOMEZ 08-28-00
PLOT SCALE = 100.0000 ' / in.	CHECKED -	REVISED - R. BORO 01-01-07
PLOT DATE = 11/18/2022	DATE - 05-14-80	REVISED - K. SMITH 11-18-22

**STATE OF ILLINOIS
DEPARTMENT OF TRANSPORTATION**

**DETAILS FOR CONCRETE MEDIAN TYPE SB (DOWELLED)
CORRUGATED MEDIAN (MODIFIED)**

SCALE: NONE SHEET 1 OF 1 SHEETS STA. TO STA.

F.A. RTE.	SECTION	COUNTY	TOTAL SHEETS	SHEET NO.
BD600-02 (BD-05)		CONTRACT NO.		
		ILLINOIS FED. AID PROJECT		