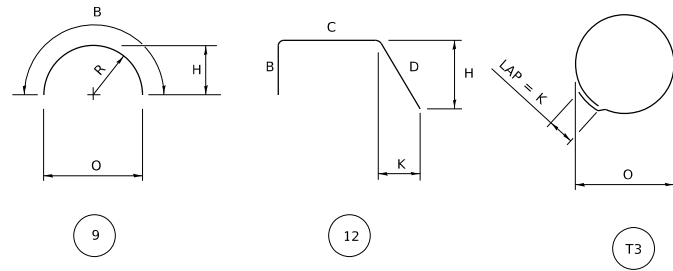


STRUCTURE	REINFORCEMENT BAR						BENDING DIMENSIONS												
	MARK	SIZE NO.	TYPE	LENGTH	NO. REOD.	WEIGHT - LBS EACH	A	B	C	D	E	F	G	H	J	K	O	R	
36" DIA.	36A1	6	T3	12'-7"	6	18.90										2'-0"	3'-4 1/2"		
	36A2	5	9	6'-9"	4	6.26	6'-0"									2'-2"	3'-0"	20"	
	36A3	5	12	4'-6"	4	4.69										18"	10 1/2"	10"	
	36A4	5	12	5'-0"	5	5.22										14 1/2"	8 1/2"	17"	
	36A5	5	12	5'-9"	5	6.00										18"	10 1/2"	21"	
	36A6	5	T3	11'-11"	3	12.43										20"	3'-3 1/2"		
	36A7	5	12	5'-8"	5	5.91	15"	3'-0"	17"							14 1/2"			
	36A8	4	STR.	4'-8"	18	3.12													
TOTAL						336													
30" DIA.	30A1	6	T3	11'-1"	6	16.65										2'-0"	2'-10 1/2"		
	30A2	5	9	4'-4"	4	4.52	4'-4"									18"	2'-10 1/2"	17"	
	30A3	5	12	4'-0"	4	4.17										18"	10 1/2"	17"	
	30A4	5	12	3'-10"	5	4.00										12 1/2"	7 1/2"	15"	
	30A5	5	12	5'-3"	5	5.48										18"	10 1/2"	21"	
	30A6	5	T3	11'-11"	3	12.43										20"	3'-3 1/2"		
	30A7	5	12	5'-1"	5	5.30	15"	2'-7"	15"							12 1/2"	7 1/2"		
	30A8	4	STR.	4'-8"	15	3.12													
TOTAL						292													
24" DIA.	24A1	6	9	3'-5"	6	5.13	3'-5"									13"	2'-3 1/2"	14 1/2"	
	24A2	6	T3	9'-4"	7	14.02											9 1/2"	9 1/2"	
	24A3	5	12	3'-5"	10	3.65										14 1/2"	8 1/2"	17"	
	24A4	5	12	4'-9"	10	4.96										15"	2'-1"	17"	
	24A5	5	T3	11'-11"	3	12.43										20"	3'-3 1/2"		
	24A6	4	STR.	4'-8"	12	3.12													
TOTAL						290													



NOTES:
ALL DIMENSIONS ARE OUT TO OUT OF BAR.
BENDING RADII "R" TO OUTSIDE OF BAR.
NUMBERS IN CIRCLES DENOTE BAR TYPE.

PLACING OF CONCRETE- CONCRETE MUST BE PLACED IN ACCORDANCE WITH THE METHOD OUTLINED IN THE CITY OF CHICAGO STANDARD SPECIFICATIONS.
CONSTRUCTION JOINTS - JOINTS NOT INDICATED ON THE DRAWINGS MUST BE SO MADE AND LOCATED AS NOT TO IMPAIR THE STRENGTH OF THE STRUCTURE AND MUST BE APPROVED BY THE COMMISSIONER. JOINTS MUST BE CONSTRUCTED IN ACCORDANCE WITH THE METHOD OUTLINED IN THE SPECIFICATIONS.

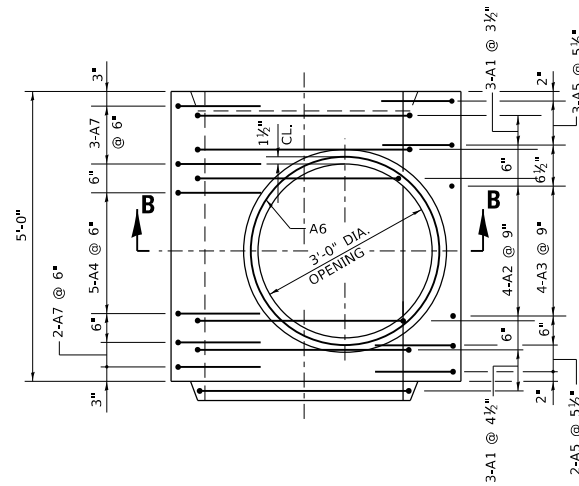
CONCRETE PROTECTION FOR REINFORCEMENT- ALL REINFORCING STEEL MUST HAVE CLEAR CONCRETE COVERING AS FOLLOWS (UNLESS OTHERWISE NOTED) :
3" AT EXTERIOR SURFACES WHERE CONCRETE IS DEPOSITED AGAINST THE GROUND;
2.5" AT SURFACES WHERE CONCRETE IS FORMED BUT SUBSEQUENTLY WILL BE IN CONTACT WITH SEWAGE; 2" AT ALL OTHER SURFACES.

REINFORCING STEEL- ALL REINFORCING BARS MUST BE ACCURATELY PLACED AND SECURELY SUPPORTED BY BAR SUPPORTS, SPACERS OR HIGH CHAIRS.
ALL LAPS IN REINFORCING STEEL MUST BE BASED UPON THE 1989, ACI BUILDING CODE.
UNLESS OTHERWISE NOTED. HOOKS AND BENDS ON BARS MUST CONFORM TO RECOMMENDED DETAILS AS GIVEN IN THE "MANUAL OF STANDARD PRACTICE", C.R.S.I. 1990.

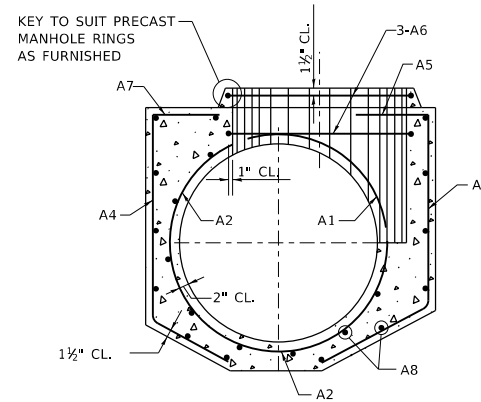
THE FOLLOWING ABBREVIATIONS ARE USED TO INDICATE THE LOCATION OF REINFORCING BARS:

T.	DENOTES	TOP	N.F.	DENOTES	NEAR FACE
BOT.	DENOTES	BOTTOM	F.F.	DENOTES	FAR FACE
I.F.	DENOTES	INSIDE FACE	E.F.	DENOTES	EACH FACE
O.F.	DENOTES	OUTSIDE FACE	E.W.	DENOTES	EACH WAY

PLACING BAR SUPPORTS- ALL REINFORCING BARS MUST BE SUPPORTED, ANCHORED AND TIED AND MUST CONFORM TO THE "RECOMMENDED PRACTICE FOR PLACING REINFORCING BARS", 1986, PREPARED BY THE CONCRETE REINFORCING STEEL INSTITUTE.

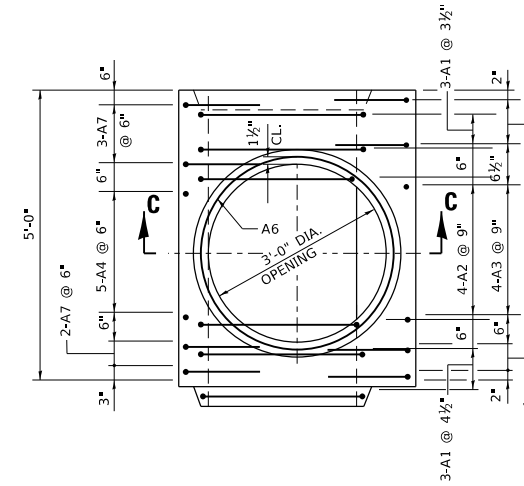


PLAN

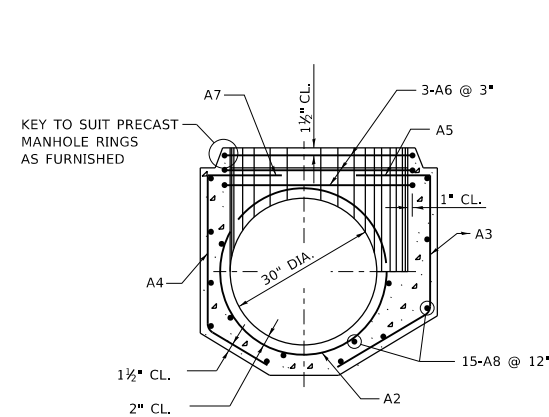


SECTION B-B

MANHOLE BASE FOR SEWERS
36" DIA.

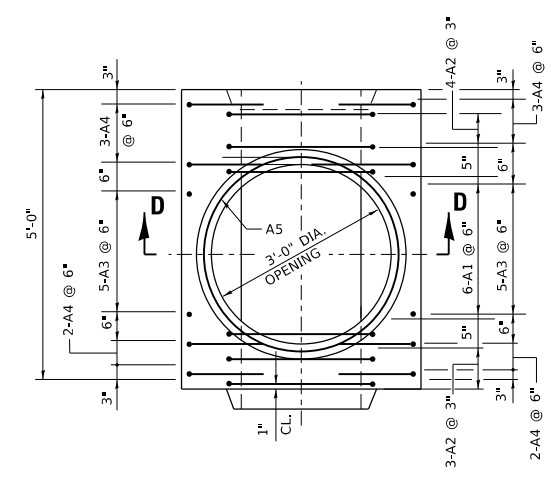


PLAN

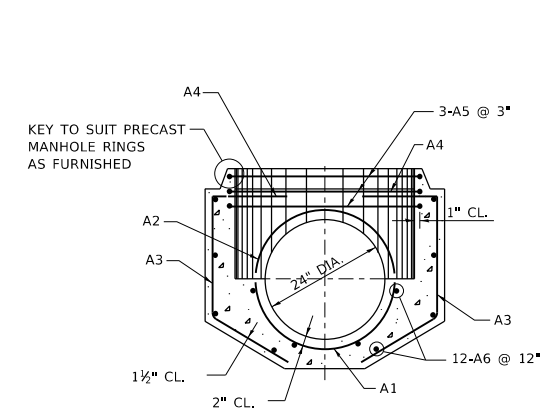


SECTION C-C

MANHOLE BASE FOR 30" DIA. SEWERS



PLAN



SECTION D-D

MANHOLE BASE FOR 24" DIA. SEWERS

MODEL: Default
FILE: h:\misc\paw_bentley.com\PROJECTS\Documents\DOT_Offices\DHrdt. I:\Projects\DHrdt\24\CAD\Drawings\CAD\Printouts\BD09.dgn

USER NAME = Lawrence,DeManche	DESIGNED -	REVISED - K. SMITH 09-22-90
	DRAWN -	REVISED - K. SMITH 11-18-22
PLOT SCALE = 100,0000 ' / in.	CHECKED -	REVISED -
PLOT DATE = 11/18/2022	DATE - 06-18-82	REVISED -

STATE OF ILLINOIS
DEPARTMENT OF TRANSPORTATION

CITY OF CHICAGO DRAINAGE DETAILS			
REINFORCEMENT FOR TYPE "A" PRECAST BASES AND RINGS 24" TO 36"			
SCALE: NONE	SHEET 1 OF 1 SHEETS	STA. TO STA.	

F.A. RTE.	SECTION	COUNTY	TOTAL SHEETS	SHEET NO.
	BD600-12 (BD-09)			
CONTRACT NO.				
ILLINOIS FED. AID PROJECT				