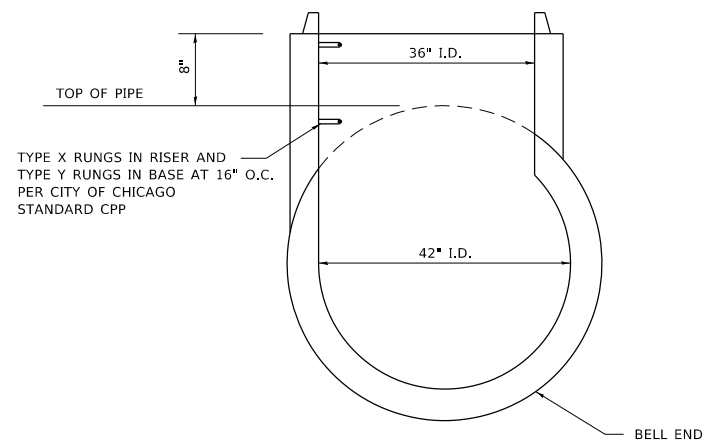
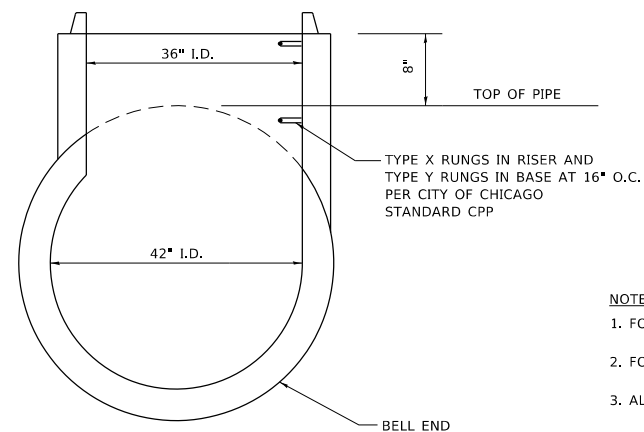


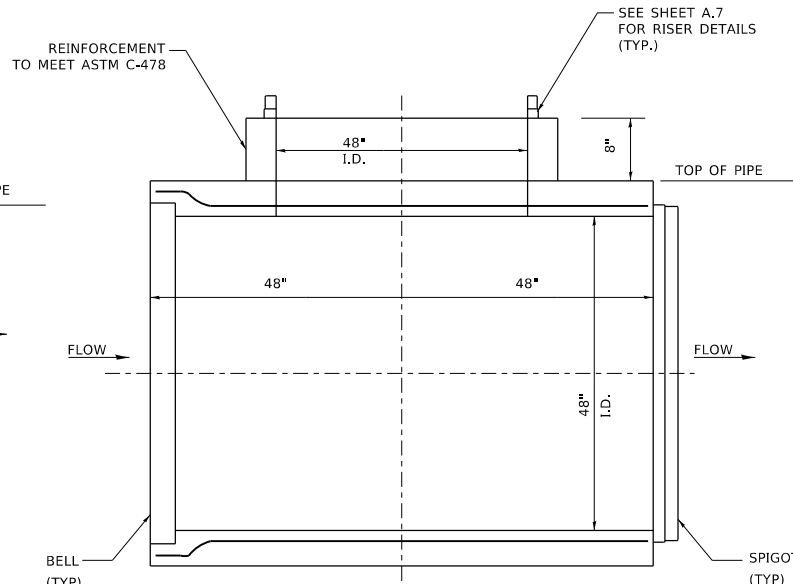
ELEVATION



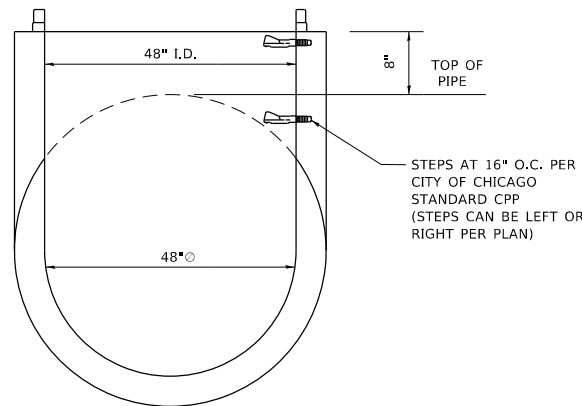
STANDARD (LEFT) RISER



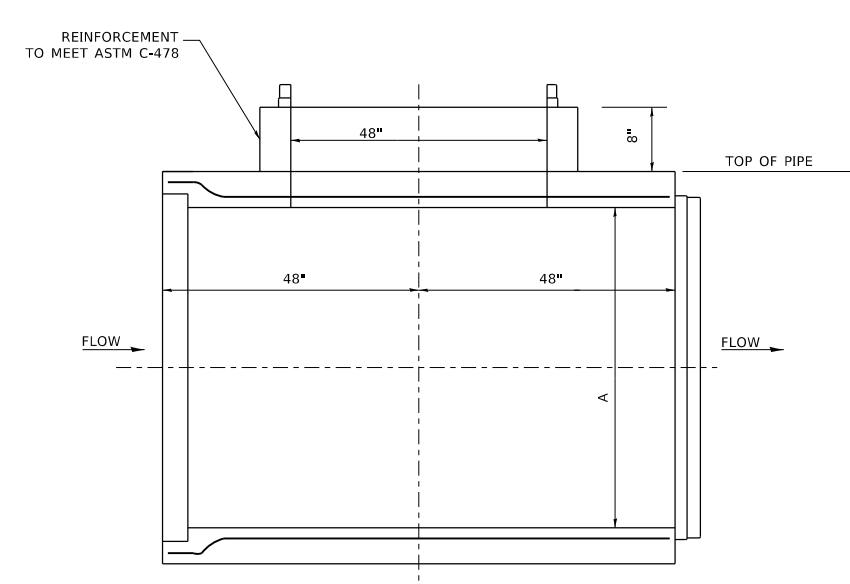
OPTIONAL (RIGHT) RISER
42" x 36" RCP BASE TEE



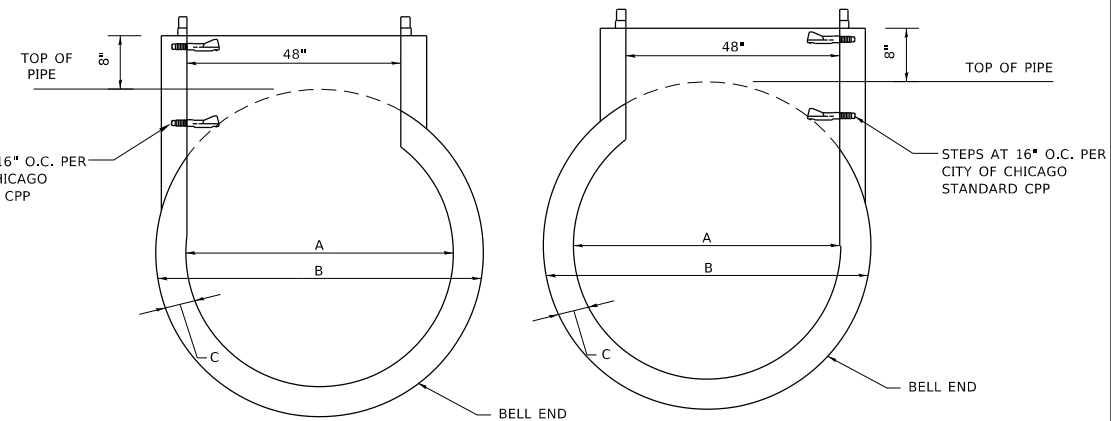
ELEVATION



48" x 48" RCP BASE TEE



ELEVATION



STANDARD (LEFT) RISER

OPTIONAL (RIGHT) RISER

≥ 54" x 48" RCP BASE TEE

- NOTES:**
1. FOR LADDER DETAILS, SEE DETAIL SHEET A.24
 2. FOR RISER DETAILS, SEE DETAIL SHEET A.7
 3. ALL BASE TEES SHALL BE ASTM C76 CLASS V.
 4. THE BASE TEE MUST BE COMPATIBLE WITH THE ADJOINING PIPE, AND GASKET JOINTS COMPLYING WITH ASTM C-76 AND C-443, RESPECTIVELY.
 5. ALL PIPE AND FITTINGS 24 INCHES IN DIAMETER AND LARGER MUST BE CLASS III, IV AND V REINFORCED CONCRETE PIPE AS SPECIFIED IN THE SPECIFICATIONS FOR "REINFORCED CONCRETE CULVERT STORM DRAIN, AND SEWER PIPE." A.S.T.M. DESIGNATION C76, TABLE III, IV AND V, WALL B OR WALL C WITH CIRCULAR OR ELLIPTICAL REINFORCEMENT.

DIMENSIONS OF PRECAST MANHOLE BASE			
A	B	C	RUNGS
120"	142"	11"	6
108"	128"	10"	6
96"	114"	9"	5
84"	101½"	8¾"	4
78"	94½"	8¾"	4
72"	87½"	7¾"	4
66"	80½"	7¾"	3
60"	73½"	6¾"	3
54"	66½"	6¾"	3
48"	59½"	5¾"	3
42"	52½"	5¾"	3