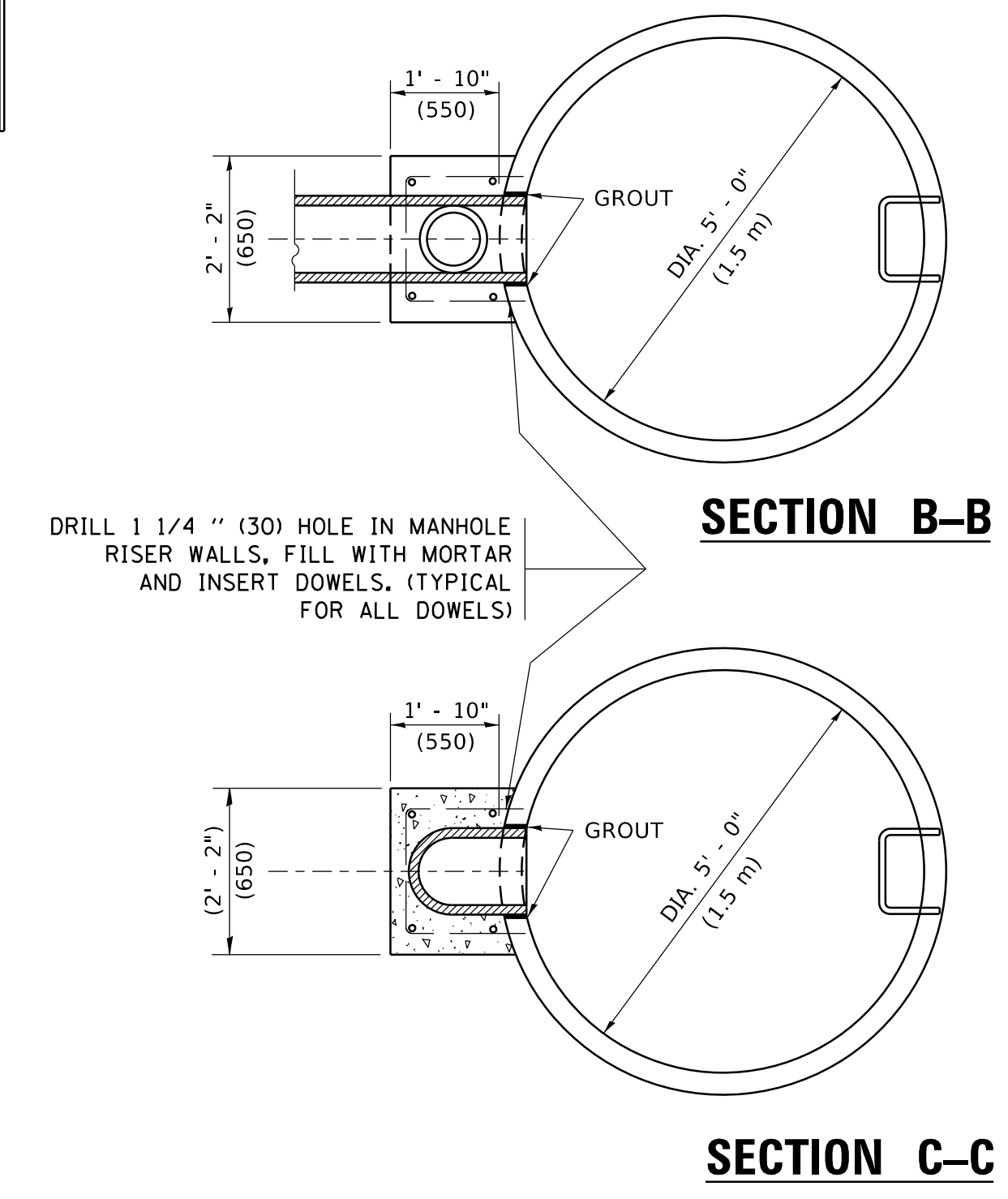
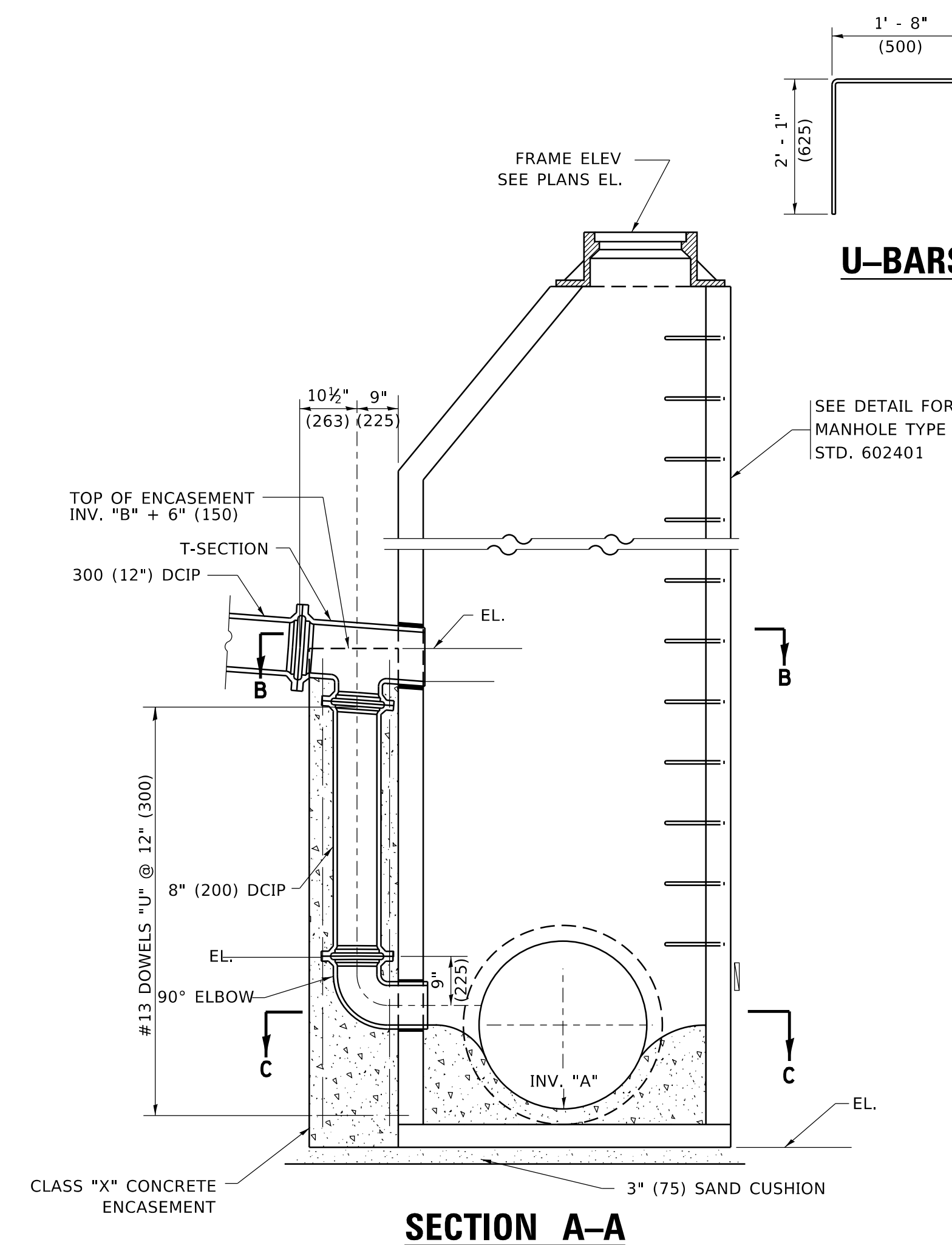


ENCASEMENT DETAILS			
DROP M.H. LOCATION STA., OFFSET			
INV. "A"			
INLET PIPE			
INV. "B"			
INV. "C"			
A			
B			
"V" BAR LENGTH			
NO. OF "U" BARS			
REINF. BARS			
CLASS "SI" CONC. CUBIC YARD (CU. YD.)			



- TYPE A1-1 MANHOLE WITH 1 DROP AND DEPTH UP TO 10' (3 m)
- TYPE A1-2 " " " 1 " " " FROM 10' TO 15' (3 m TO 1.5 m)
- TYPE A1-3 " " " 1 " " " FROM 15' TO 20' (1.5 m TO 6 m)
- TYPE A1-4 " " " 1 " " " OVER 20' (6 m)
- TYPE A2-1 MANHOLE WITH 2 DROPS AND DEPTH UP TO 10' (3 m)
- TYPE A2-2 " " " 2 " " " FROM 10' TO 15' (3 m TO 1.5 m)
- TYPE A2-3 " " " 2 " " " FROM 15' TO 20' (1.5 m TO 6 m)
- TYPE A2-4 " " " 2 " " " OVER 20' (6 m)

ALL DIMENSIONS ARE IN INCHES (MILLIMETERS) UNLESS OTHERWISE SHOWN

MODEL: D:\default...  
FILE: Manhole...  
PROJECT: ...

USER NAME = footemj	DESIGNED -	REVISED -
PLOT SCALE = 50.0000 ' / in.	DRAWN -	REVISED -
PLOT DATE = 3/27/2019	CHECKED -	REVISED -
	DATE - 10-18-02	REVISED -

STATE OF ILLINOIS  
DEPARTMENT OF TRANSPORTATION

DROP MANHOLE DETAILS			
SCALE: NONE	SHEET 1	OF 1 SHEETS	STA. TO STA.

F.A. RTE.	SECTION	COUNTY	TOTAL SHEETS	SHEET NO.
BD600-05	(BD-16)			
CONTRACT NO.				
ILLINOIS FED. AID PROJECT				