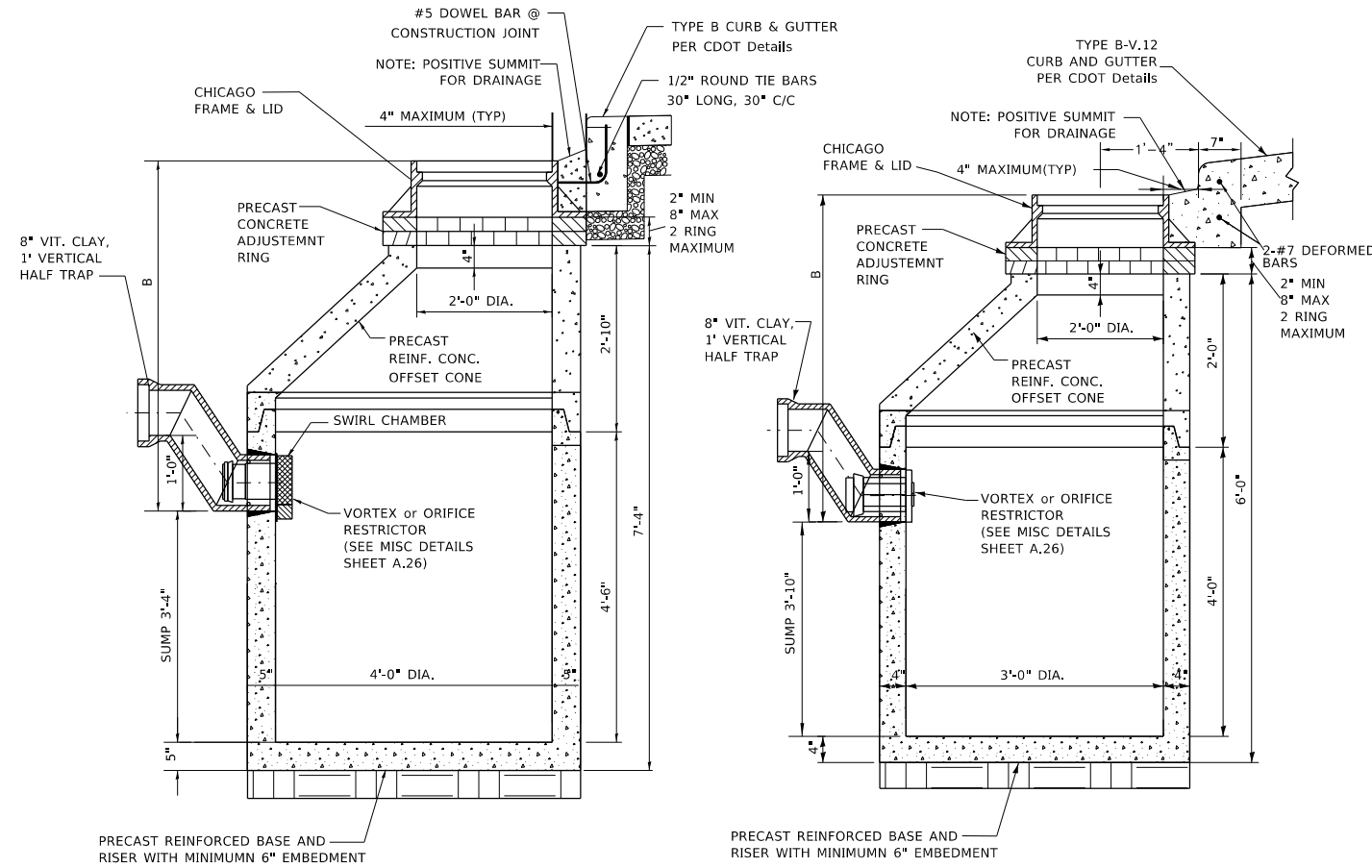


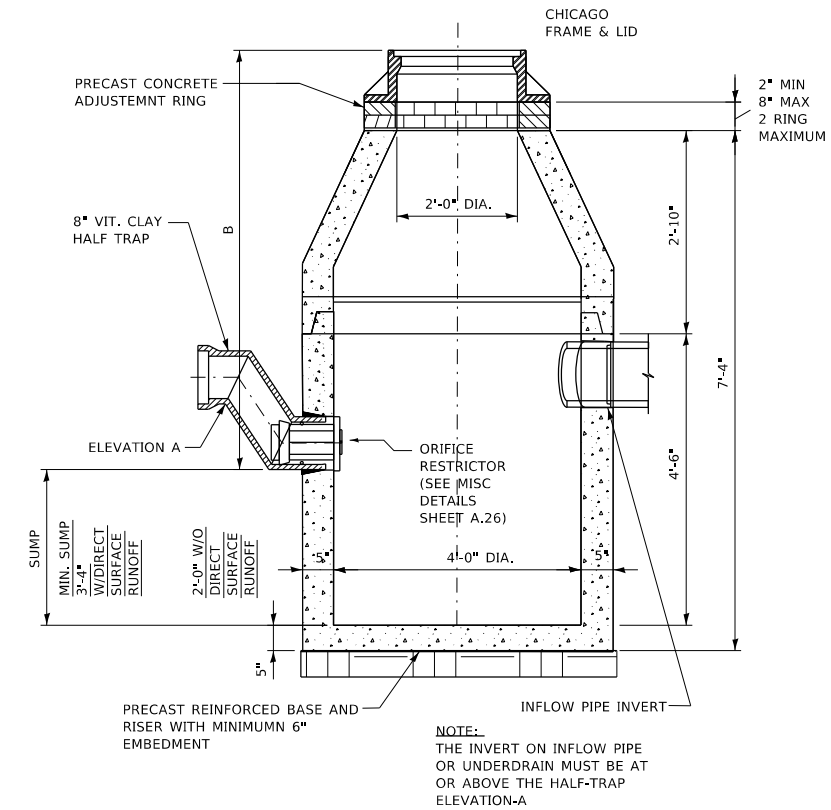
**STANDARD DRAINAGE STRUCTURES
FOR PUBLIC STREETS**



STANDARD CATCH BASIN-4' DIA.

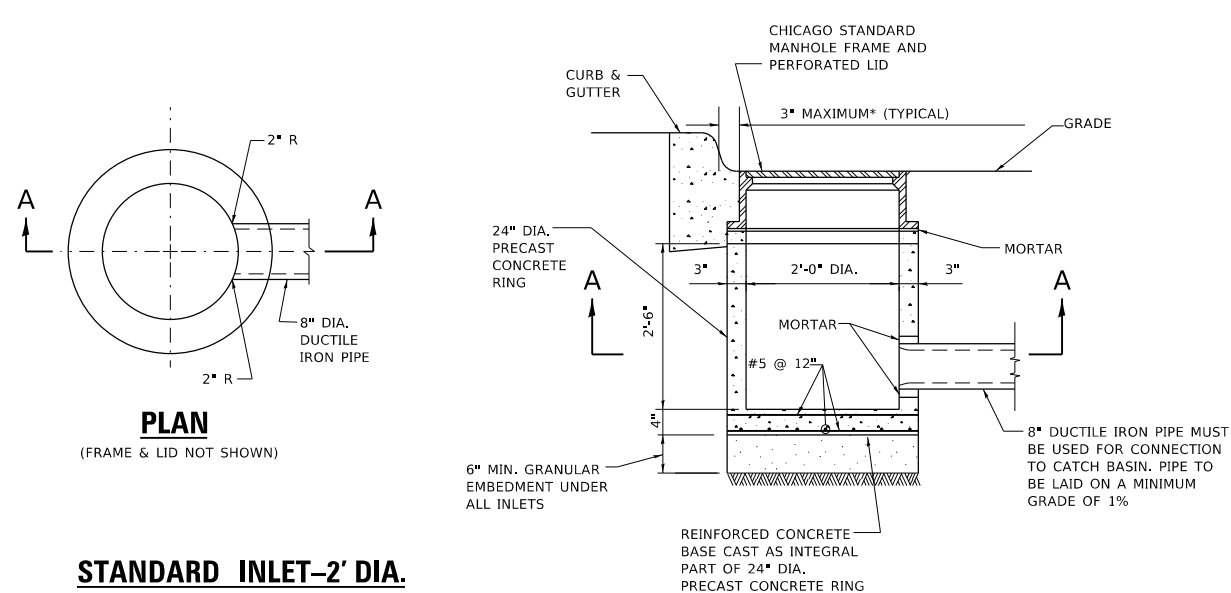
STANDARD CATCH BASIN-3' DIA.

**STANDARD DRAINAGE STRUCTURES
FOR PUBLIC ALLEYS**



CATCH BASIN-ORIFICE RESTRICTOR

N.T.S.



STANDARD INLET-2' DIA.

GENERAL NOTES:

1. CATCH BASIN TO CATCH BASIN CONNECTIONS ARE ALLOWED IN PRIVATE SITES & ALLEYS. ONLY THE DOWNSTREAM CATCH BASIN IS REQUIRED TO HAVE A HALF-TRAP.
2. IF B < 4 FEET, THEN USE A FLAT TOP SLAB CATCH BASIN AS NECESSARY.
3. FOR TRENCH BACKFILL, REFER TO IDOT SSRBC, ARTICLE 1003.04.
4. FOR GRANULAR EMBEDMENT, USE CA-11, CRUSHED GRAVEL, CRUSHED STONE, OR CRUSHED CONCRETE.
5. FOR STABILIZATION STONE, 12" OF CA-1 STONE IS ONLY REQUIRED WHEN UNSTABLE MATERIAL IS ENCOUNTERED AT TRENCH BOTTOM.
6. INLETS AND 3' DIAMETER CATCH BASINS ARE TO BE USED ONLY WITH PRIOR APPROVAL OF THE DEPT. OF WATER MANAGEMENT- ENGINEERING SERVICES, SEWER SECTION, AND THE DEPT. OF BUILDINGS STORMWATER REVIEWER.
7. IF COVER OVER VCP IS LESS THAN 3', USE 45 DEGREE DIP BENDS WITH 1 FOOT DROP AS HALF TRAPS AS NEEDED FOR IEPA CLEARANCE REQUIREMENTS

**STATE OF ILLINOIS
DEPARTMENT OF TRANSPORTATION**

**CITY OF CHICAGO
DRAINAGE STRUCTURE DETAILS**

SCALE: NONE SHEET 1 OF 1 SHEETS STA. TO STA.

F.A. RTE.	SECTION	COUNTY	TOTAL SHEETS	SHEET NO.
BD600-13 (BD-47)			CONTRACT NO.	
ILLINOIS FED. AID PROJECT				

MODEL: Default FILE: h:\cadd\paw_bentley.com\paw\DOT\Documents\DOT_Offices\Drh\det. 1\Projects\DRS\22\23\CA\AD\DRS\CA\Drh\paw\1347.dgn