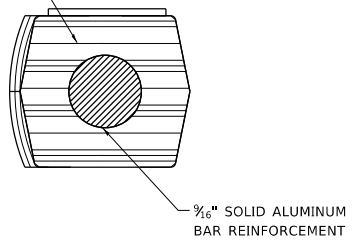
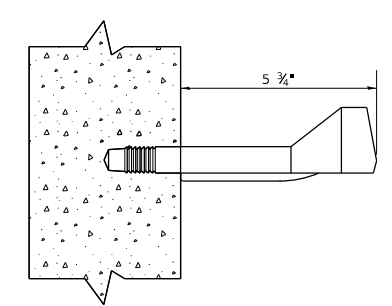


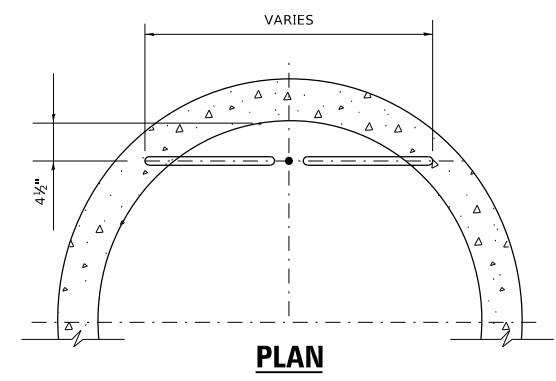
COPOLYMER POLYPROPYLENE PLASTIC



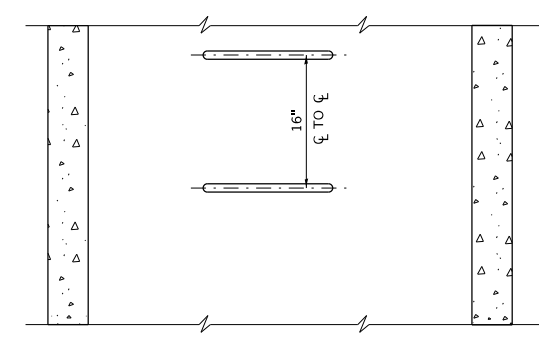
SECTION-A

RECTANGULAR STEP LADDER RUNG

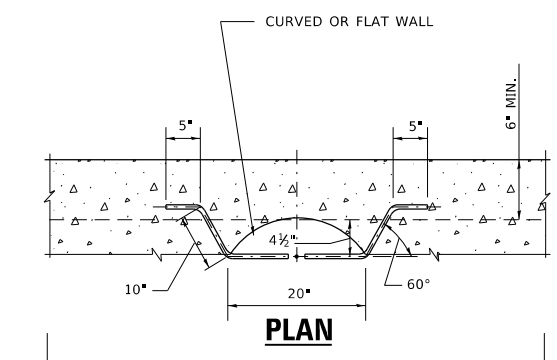
FOR USE ONLY IN 48" DIAMETER AND LARGER MANHOLES.



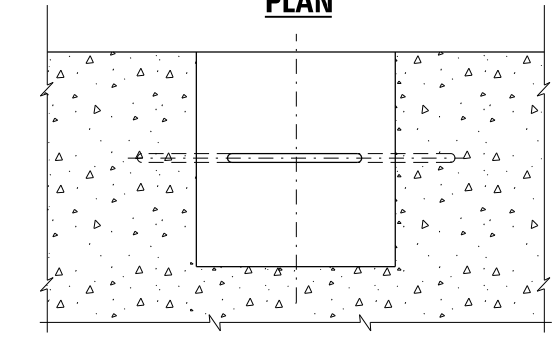
PLAN



ELEVATION TYPE X RISER



PLAN



ELEVATION TYPE Y BASE

NOTES:

1. VERTICAL SPACING = 16" O.C., ON VERTICAL WALL ONLY.
2. STEPS SHALL MEET THE REQUIREMENTS OF ASTM C478 IN ADDITION TO A HORIZONTAL PULL-OUT LOAD OF 1000 LBS. WHEN INSTALLED.
3. ALL STEPS SHALL BE VERTICALLY ALIGNED IN A STRAIGHT LINE.
4. MINIMUM CONCRETE STRENGTH MUST BE 3000 PSI
5. HOLES- PREFORMED/DRILLED
 - A. HOLES MUST BE PARALLEL
 - B. HOLES MUST BE 10" CENTERED, 1" DIAMETER
 - C. MINIMUM DEPTH- 3 1/2" TO 3 3/4"

MODEL: Default
FILE NAME: p:\u0002-pw-bentley.com\PROJECTS\DOT Office\District 1\Projects\Dist1\2022\31\CAD\Drawings\CAD\Sheets\B47.dgn

USER NAME = Lawrence.DeManche	DESIGNED - M. GOMEZ	REVISED - K. SMITH 11-18-22
PLOT SCALE = 100.0000 ' / in.	CHECKED -	REVISED -
PLOT DATE = 11/18/2022	DATE - 01-25-01	REVISED -

**STATE OF ILLINOIS
DEPARTMENT OF TRANSPORTATION**

**CITY OF CHICAGO
LADDER RUNGS**

SCALE: NONE SHEET 1 OF 1 SHEETS STA. TO STA.

F.A. RTE.	SECTION	COUNTY	TOTAL SHEETS	SHEET NO.
	BD600-13 (BD-47)			
ILLINOIS FED. AID PROJECT			CONTRACT NO.	