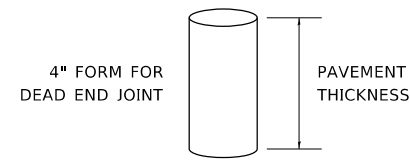
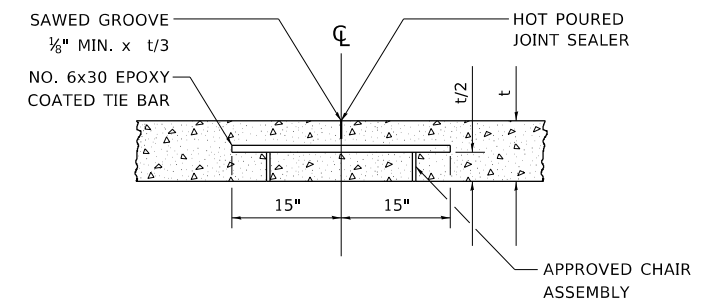


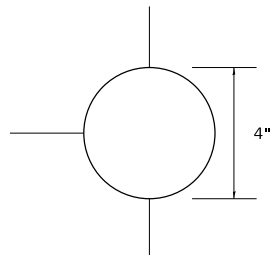
SECTION



DEAD END JOINT DETAIL

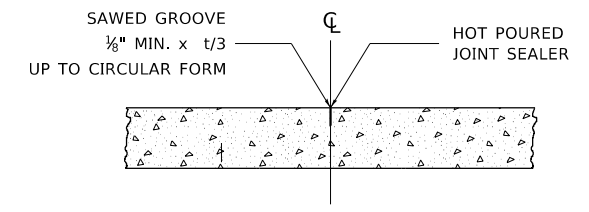


SAWED LONGITUDINAL JOINT

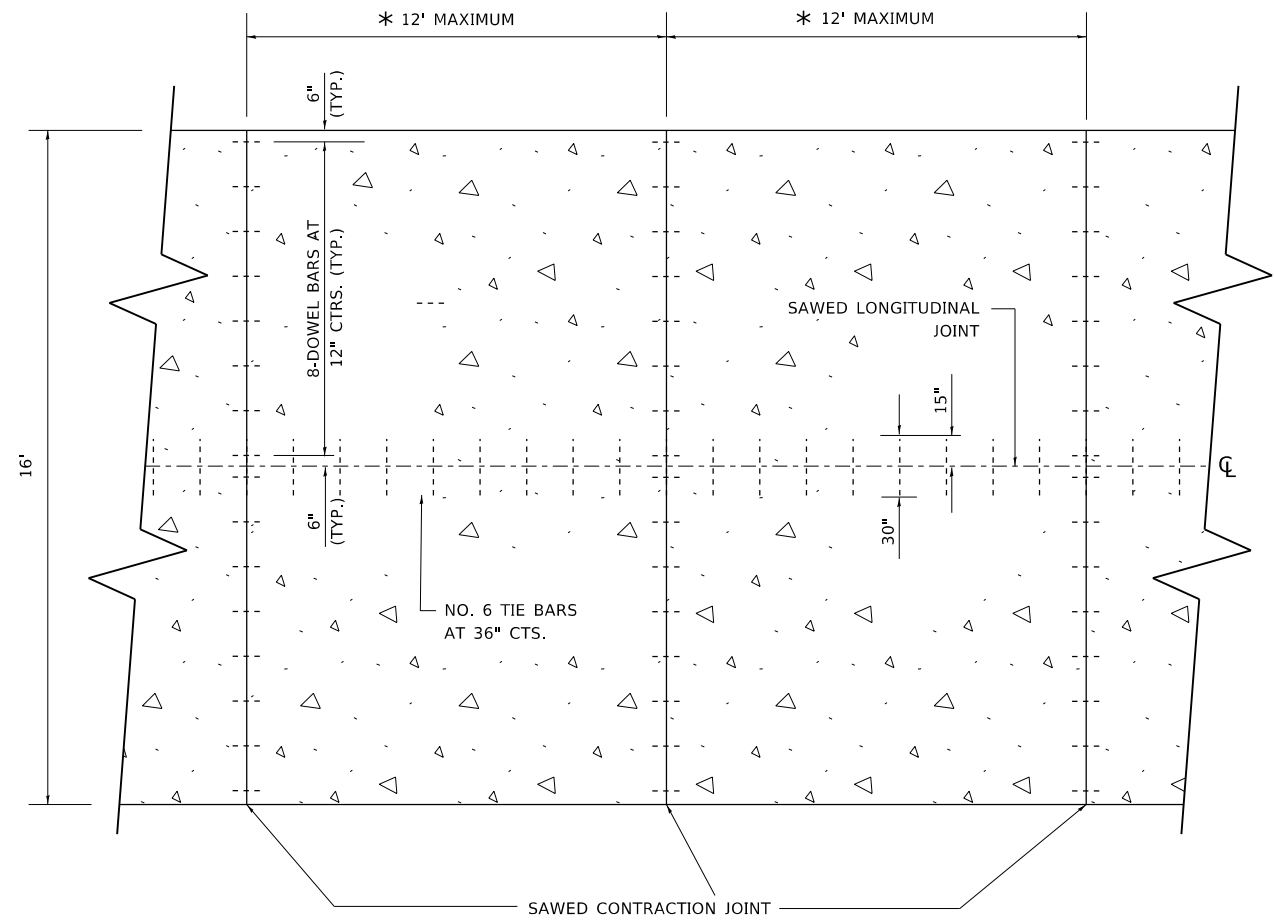


DEAD END JOINT DETAIL

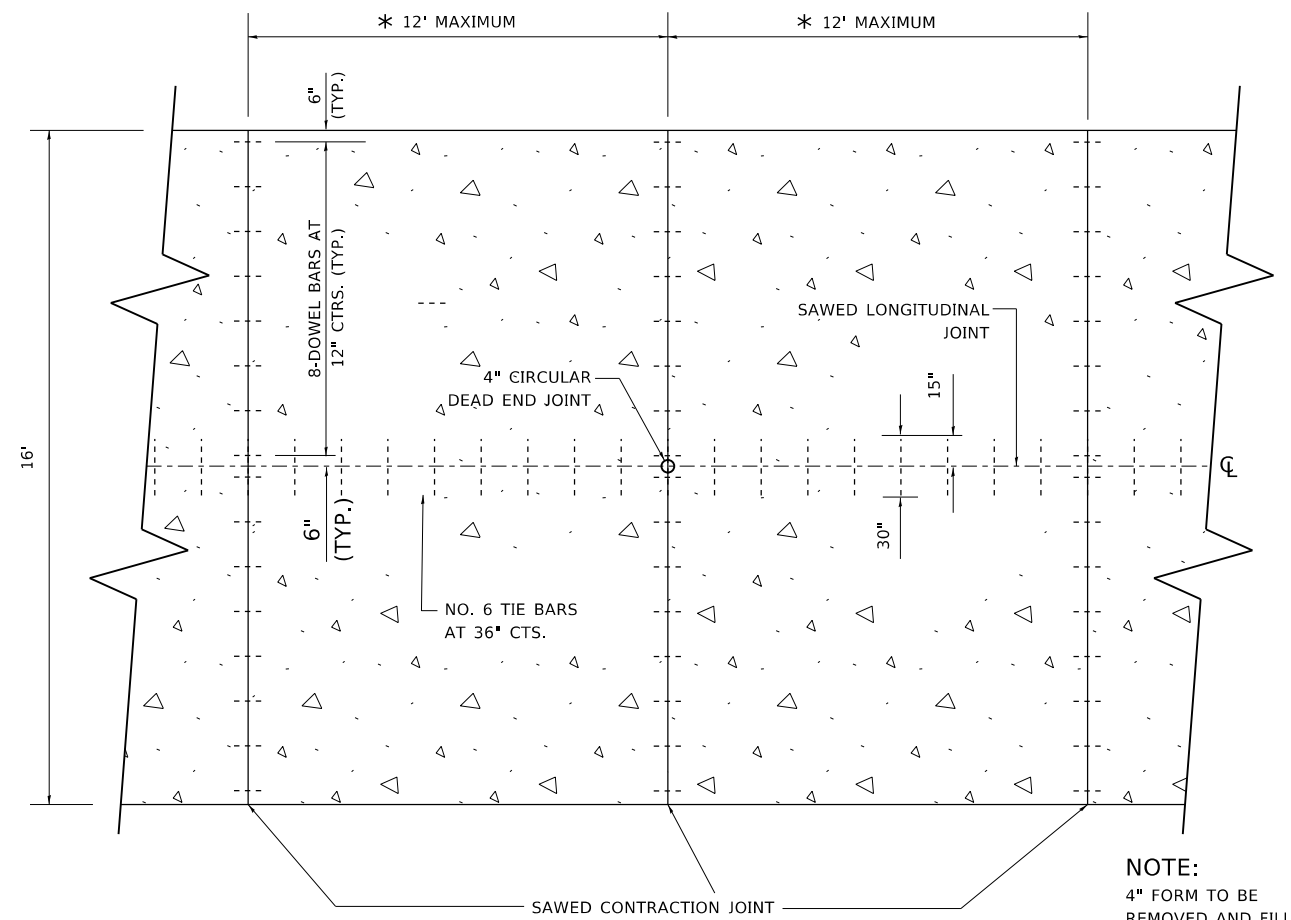
NOTE
4" FORM TO BE REMOVED AND FILLED WITH CONCRETE.



SAWED LONGITUDINAL JOINT



PLAN



PLAN

NOTE:
4" FORM TO BE REMOVED AND FILLED WITH CONCRETE

MODEL: Default
FILE: h:\mhc\paw\illsec\paw\benefit\com\PI\DOT\Documents\DOT_Offices\DHrdt\1\Projects\DH42\3\ACADD\Detail\CAD\Print\1854.dgn

USER NAME = Lawrence,DeManche	DESIGNED -	REVISED - K. SMITH 11-18-22
PLOT SCALE = 100.0000' / in.	DRAWN -	REVISED -
PLOT DATE = 11/18/2022	CHECKED -	REVISED -
	DATE -	REVISED -

**STATE OF ILLINOIS
DEPARTMENT OF TRANSPORTATION**

DETAIL FOR CENTERLINE SAW CUT FOR DEAD END JOINT

SCALE: NONE SHEET 1 OF 1 SHEETS STA. TO STA.

F.A. RTE.	SECTION	COUNTY	TOTAL SHEETS	SHEET NO.
	BD-54			
ILLINOIS		FED. AID PROJECT		