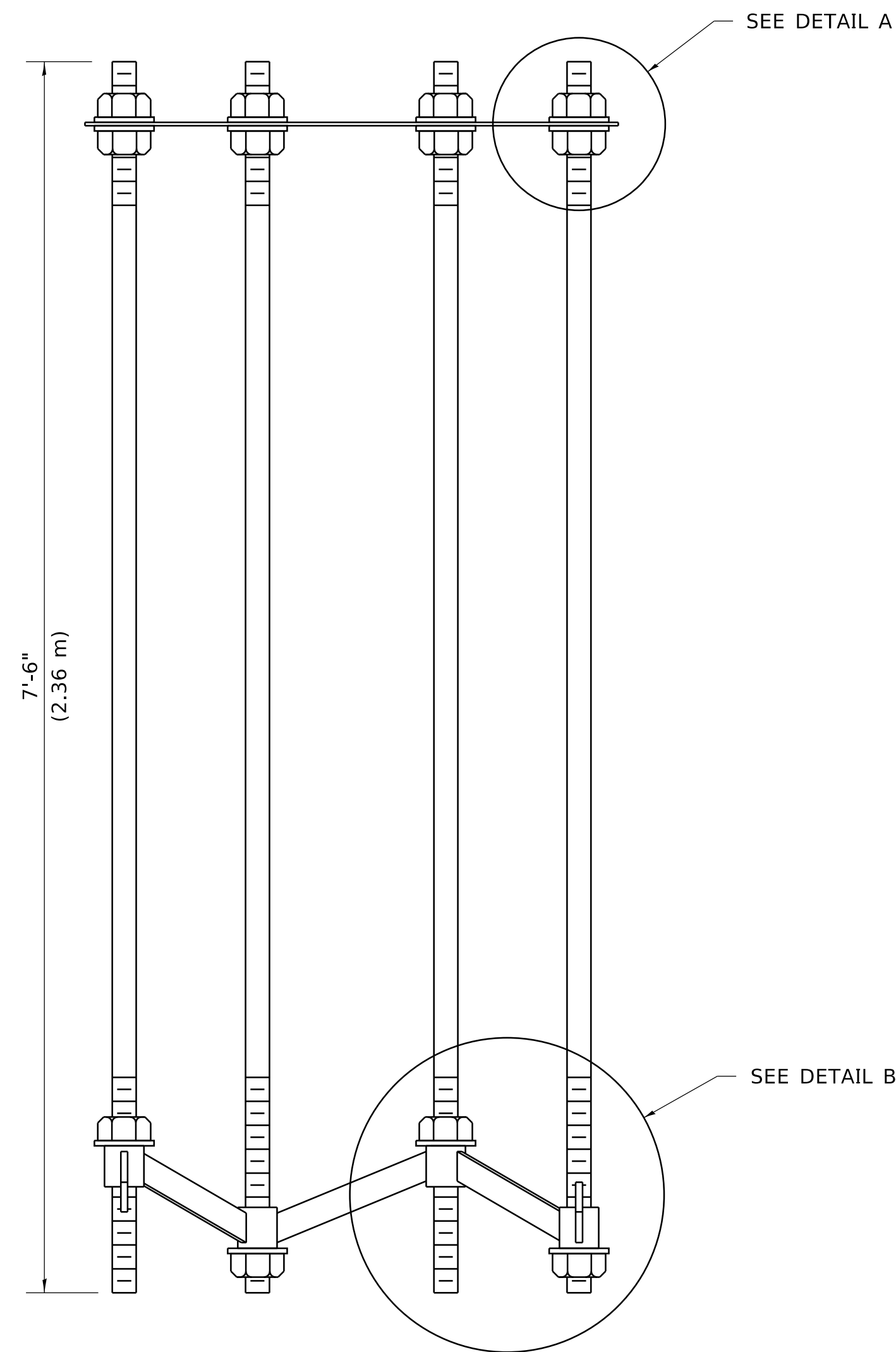
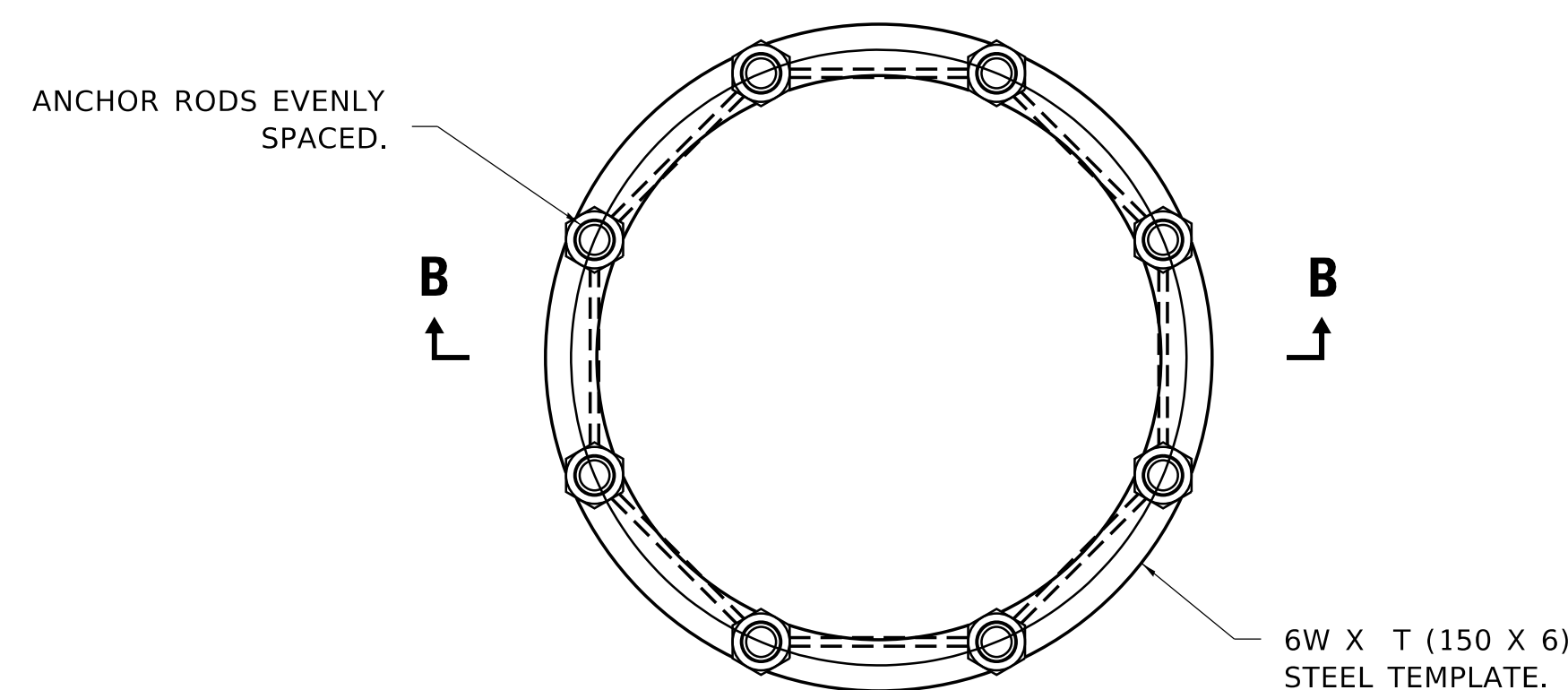


ROD AND REINFORCEMENT TABLE					
TOWER HEIGHT	ANCHOR ROD DIAM. (MIN)	ROD CIRCLE DIAM. (MIN)	TOWER BASE DIAM. (MIN)	DRILLED SHAFT DIAM. (1)	V BAR QTY.
80' (25 m)	1½ (38)	30 (760)	24 (610)	4'-0" (1.2 m)	14

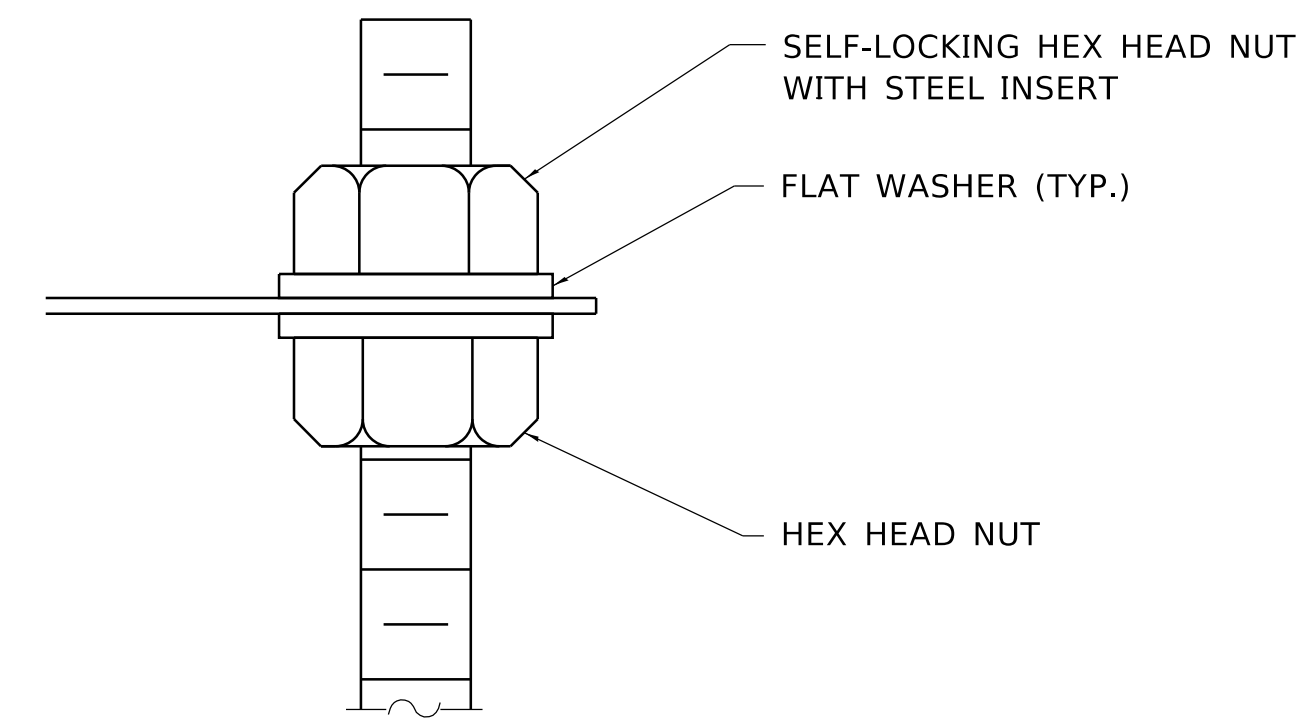
① DIAMETER BASED ON A 5 (125) CONC. COVER. THE MIN. COVER SHALL BE 3 (75) IN DRY SHAFT EXCAVATION AND 4 (100) IN A WET HOLE. WHEN ROCK IS ENCOUNTERED A 5 (125) COVER AGAINST SOIL AND A 2 (50) COVER AGAINST ROCK SHALL BE REQUIRED.



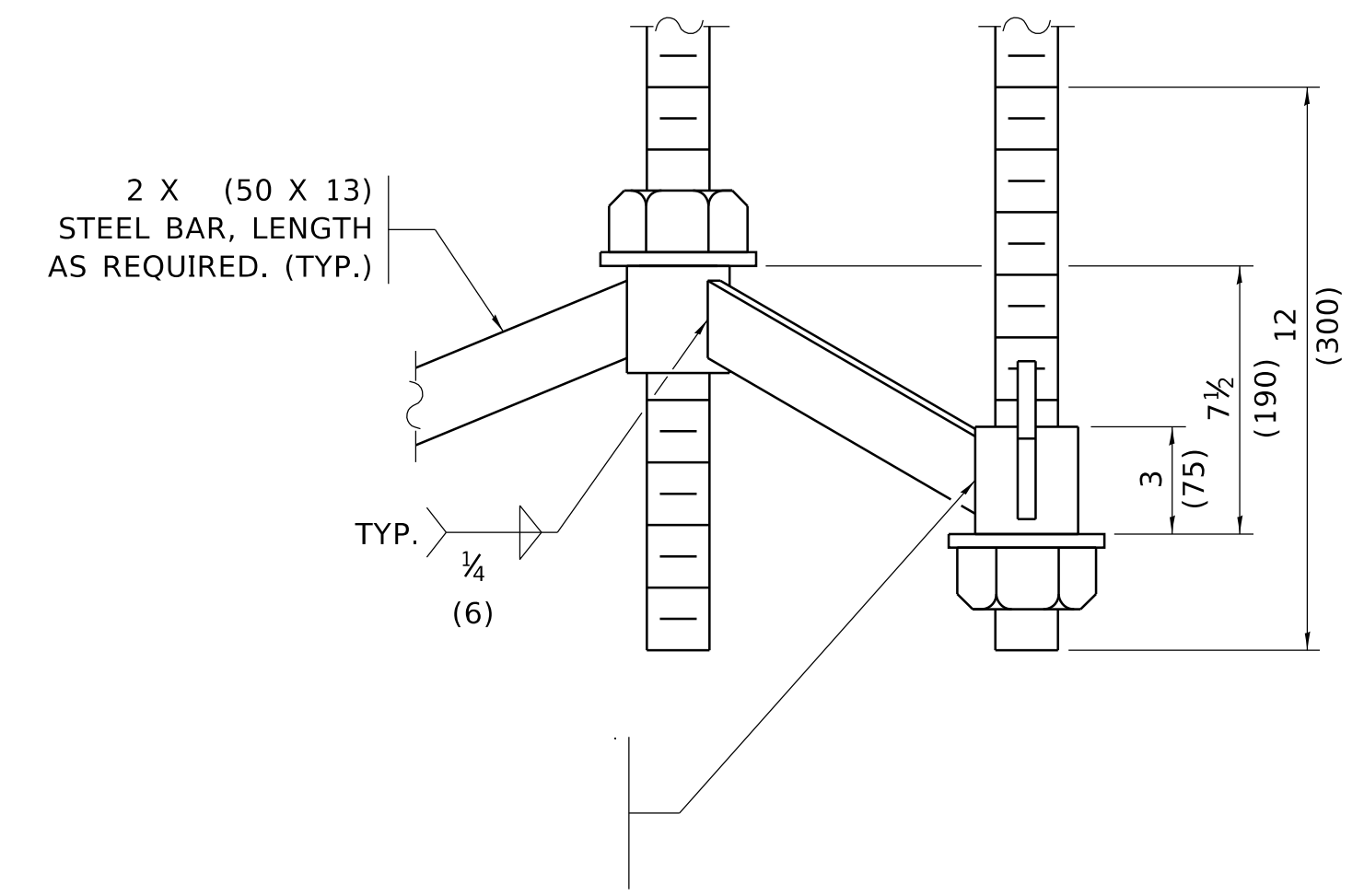
SECTION B-B



ANCHOR ROD CAGE (PLAN)



DETAIL A



DETAIL B

GENERAL NOTES:

- ANCHOR ROD QUANTITY, DIAMETER, AND LENGTH SHALL BE DETERMINED BY THE CCTV STRUCTURE MANUFACTURER AND APPROVED BY THE ENGINEER. EACH FOUNDATION SHALL HAVE A MINIMUM OF 8 ANCHOR RODS.
- ALL FOUNDATION REINFORCEMENT STEEL SHALL BE EPOXY COATED.
- THE COST OF REINFORCEMENT SHALL BE INCLUDED IN THE COST OF THE FOUNDATION.
- STEEL ANCHOR ROD FORMS SHALL NOT BE REMOVED FOR A MINIMUM OF 3 DAYS AFTER CONCRETE IS POURED. THE TOWER SHALL NOT BE SET FOR A MINIMUM OF 7 DAYS OR AS APPROVED BY THE ENGINEER.
- COORDINATE THE ROD CIRCLE DIAMETER OF THE STRUCTURE WITH THE DIAMETER OF THE ANCHOR ROD CAGE.
- THE FOUNDATION SHALL BE POURED MONOLITHICALLY AND SHALL HAVE NO CONSTRUCTION JOINTS.
- GROUNDING ELECTRODES SHALL BE INSTALLED IN AN ACCESS WELL WHEN THERE IS A CONFLICT IN USING THE METHOD SHOWN.
- ALL DIMENSIONS ARE IN INCHES (MILLIMETERS) UNLESS OTHERWISE SHOWN.

MODEL: Default
 FILE NAME: p:\planroom.dwg
 PROJECT: P:\DOT\Documents\DOT_Offices\District 1\Projects\Dist1\22-2-11\CAD\Drawn\CAD\sheet\be 1003.dwg

USER NAME = footemj	DESIGNED - R. Tomsons	REVISED -
	DRAWN -	REVISED -
PLOT SCALE = 50.0000 ' / in.	CHECKED -	REVISED -
PLOT DATE = 4/22/2019	DATE - 04/17/2017	REVISED -

**STATE OF ILLINOIS
DEPARTMENT OF TRANSPORTATION**

**CCTV CAMERA STRUCTURE, 80 FT. MOUNTING HEIGHT
FOUNDATION, SHEET 2 OF 2**

SCALE: NONE SHEET 1 OF 1 SHEETS STA. TO STA.

F.A. RTE.	SECTION	COUNTY	TOTAL SHEETS	SHEET NO.
	BE 1003			
		CONTRACT NO.		
ILLINOIS FED. AID PROJECT				