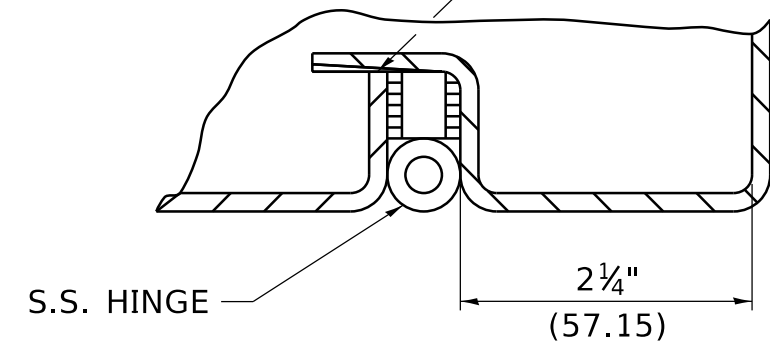
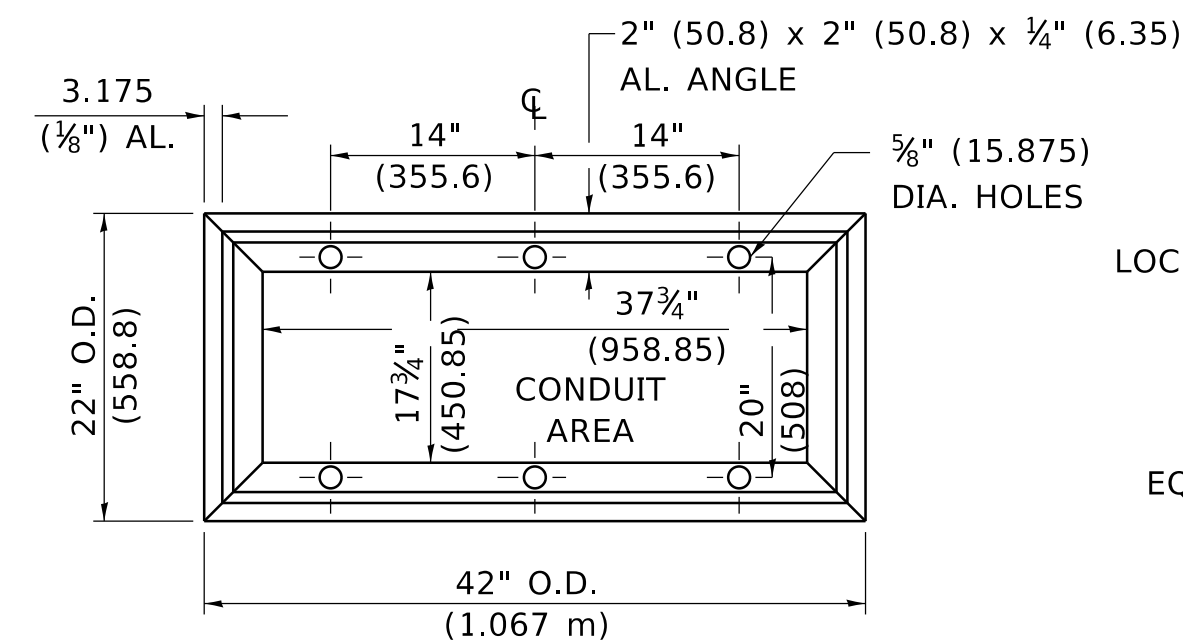


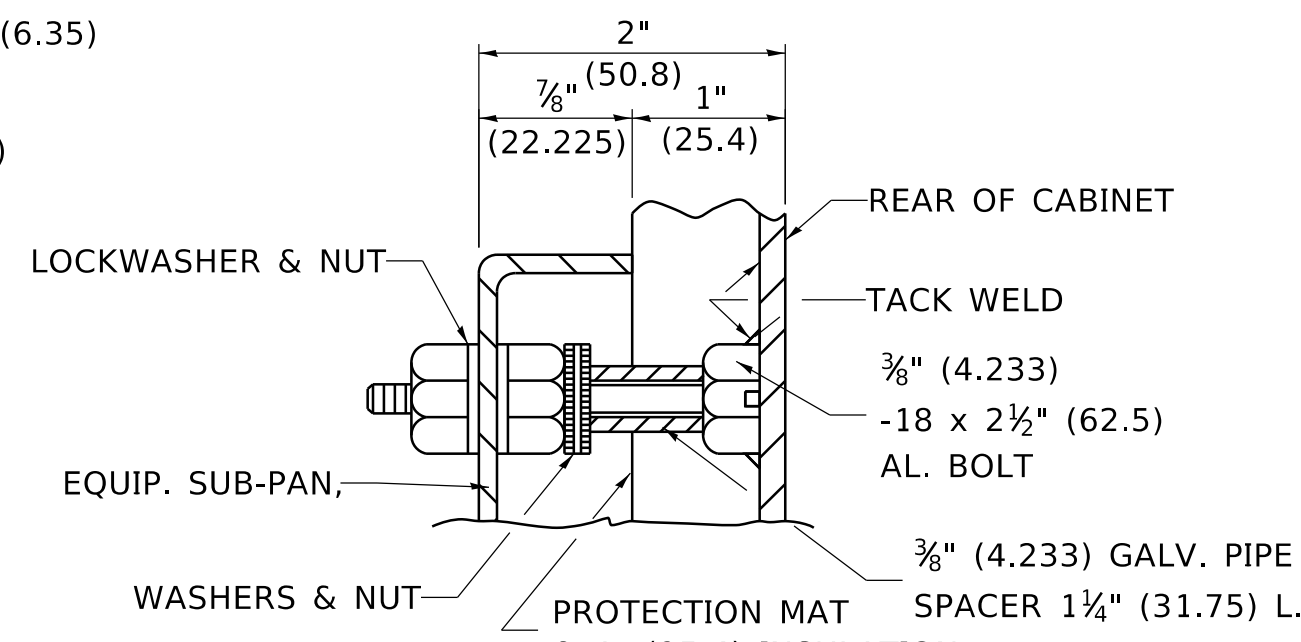
FULL GASKET ON DOOR OPENING
PLACE 1/8" (58.575)
GASKET BETWEEN HINGE LEAVES



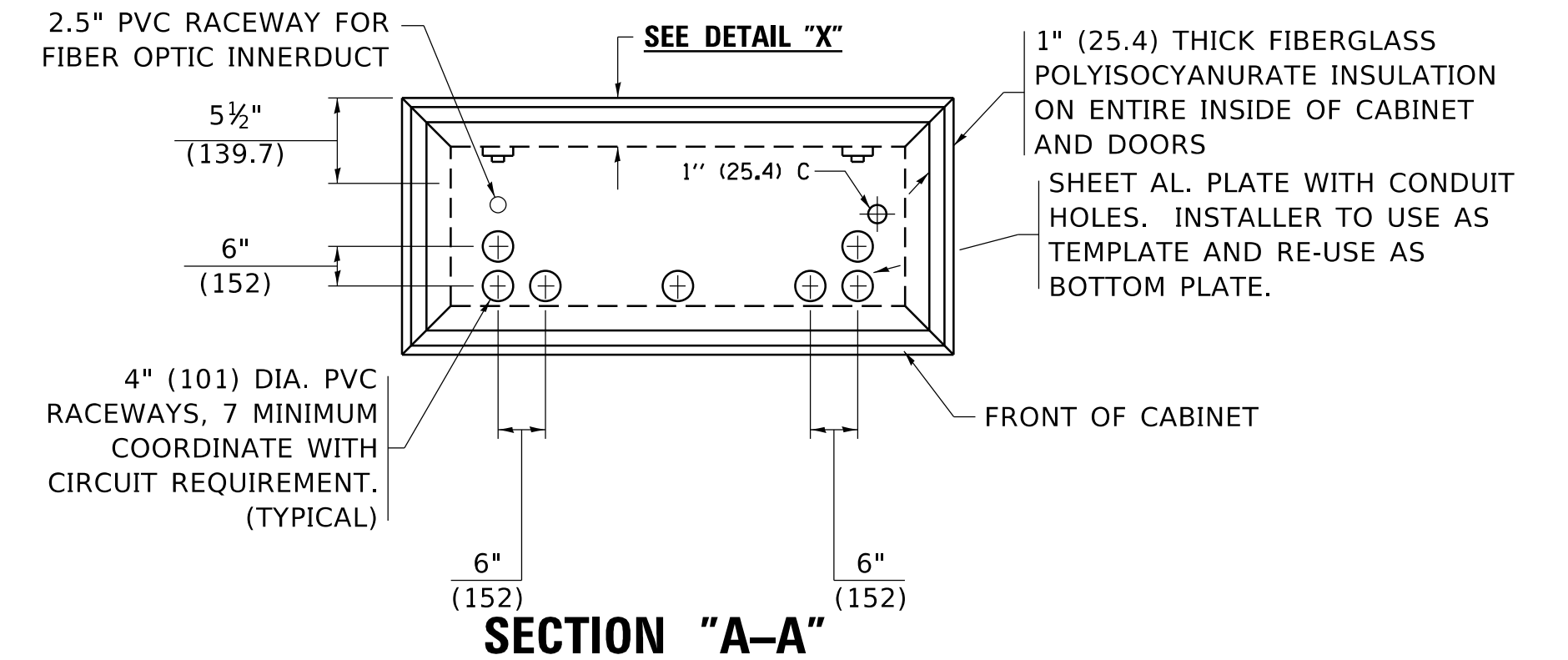
DETAIL "Y"



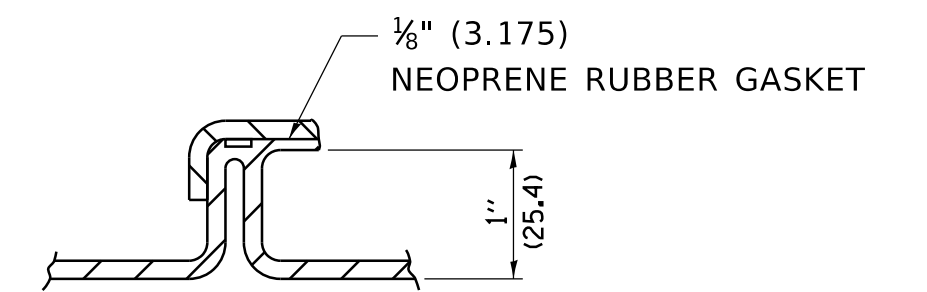
BASE MTG. DETAIL



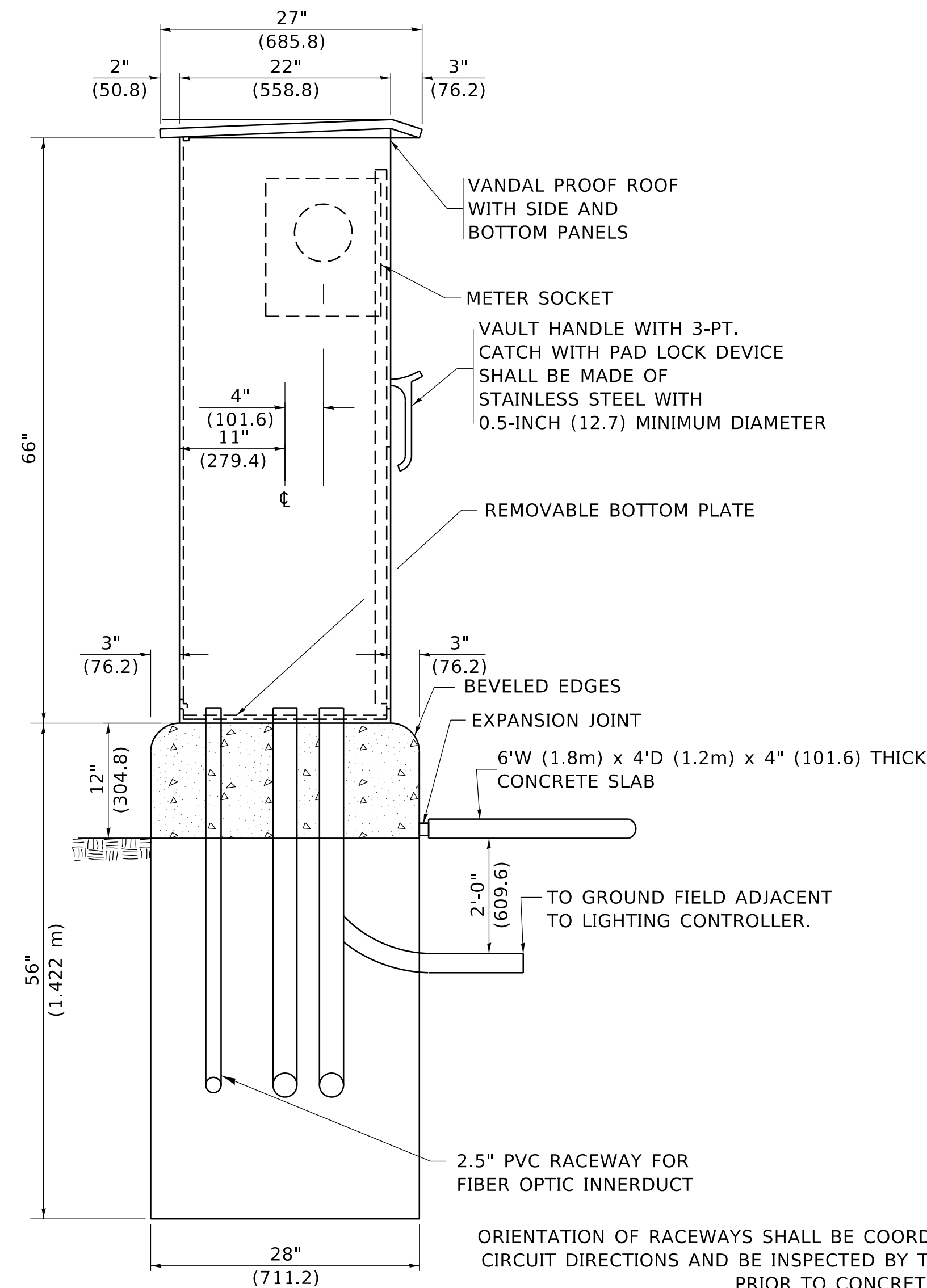
DETAIL "X"



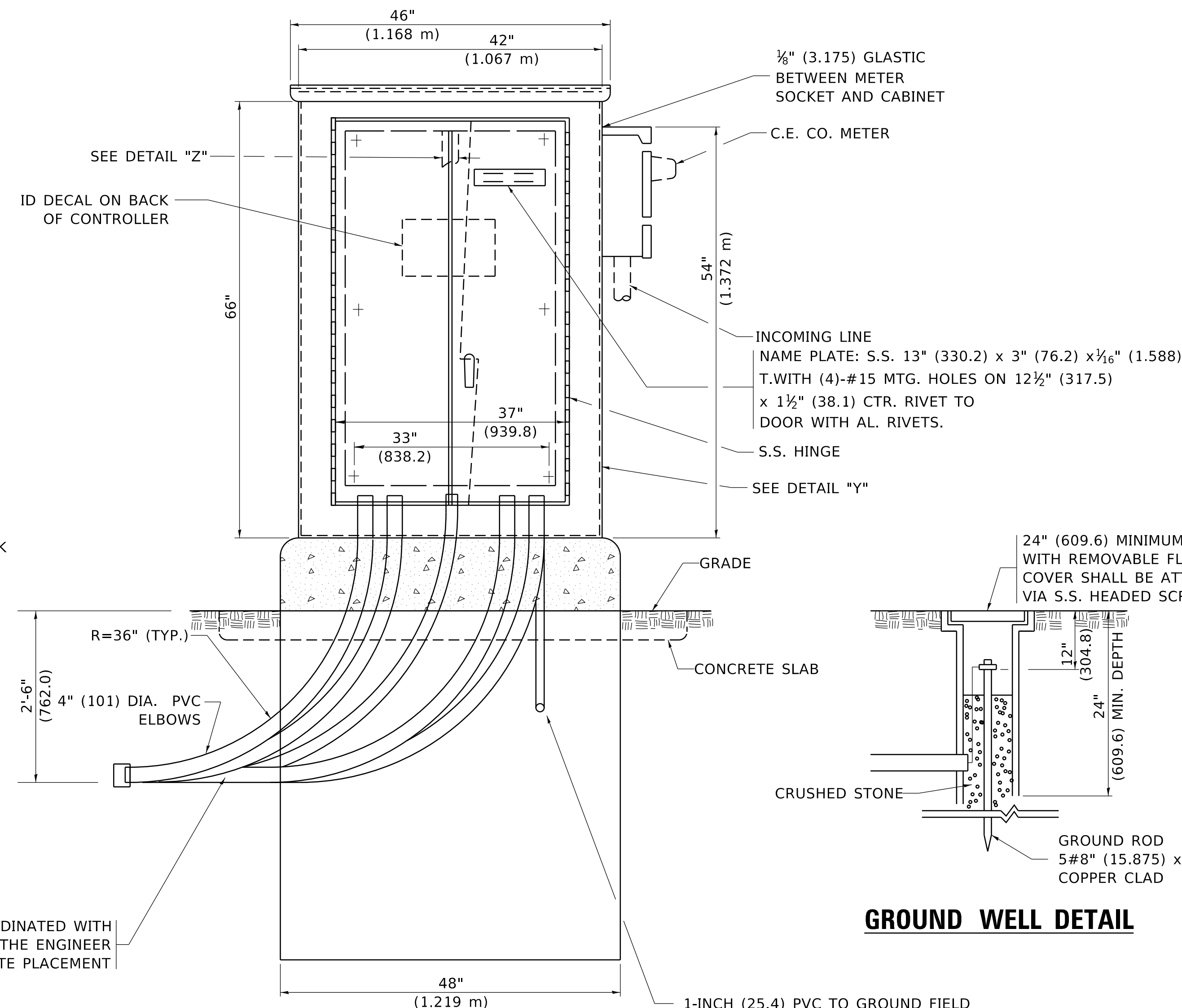
SECTION "A-A"



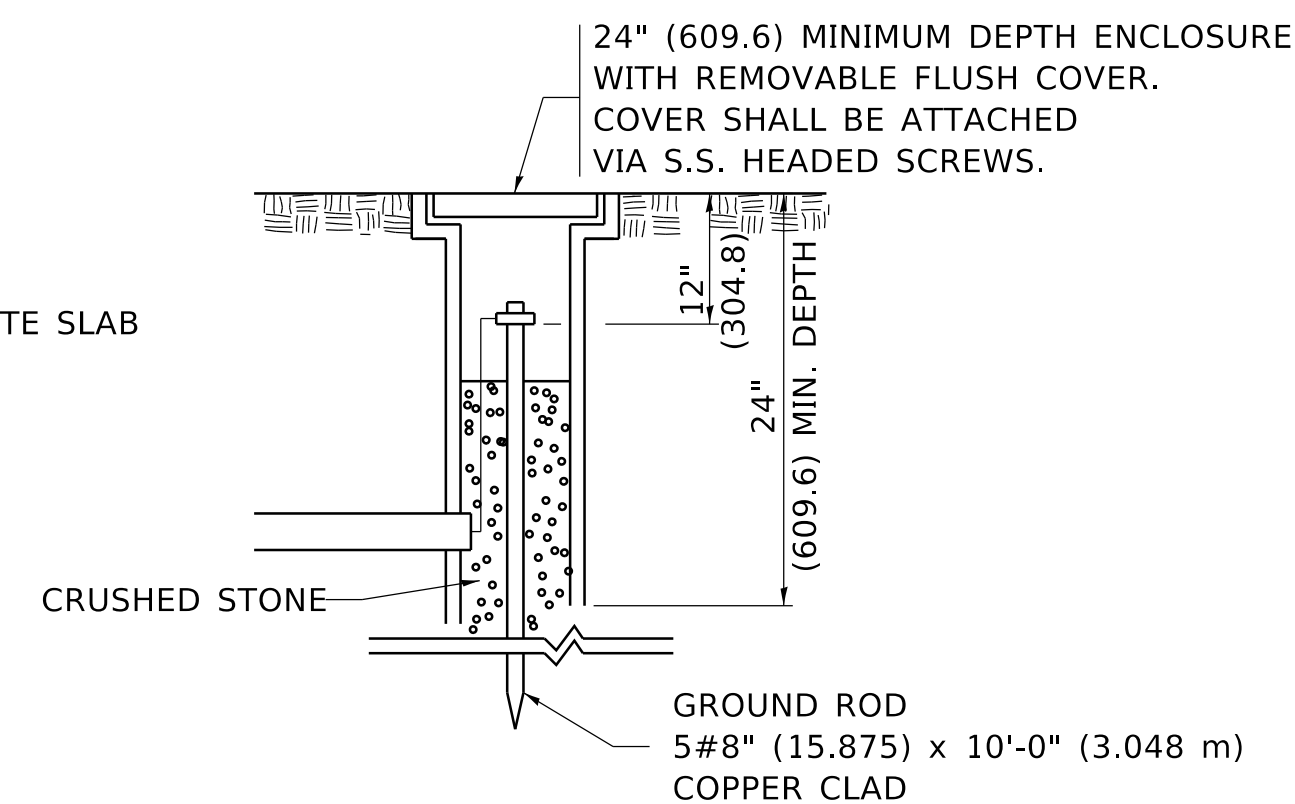
DETAIL "Z"



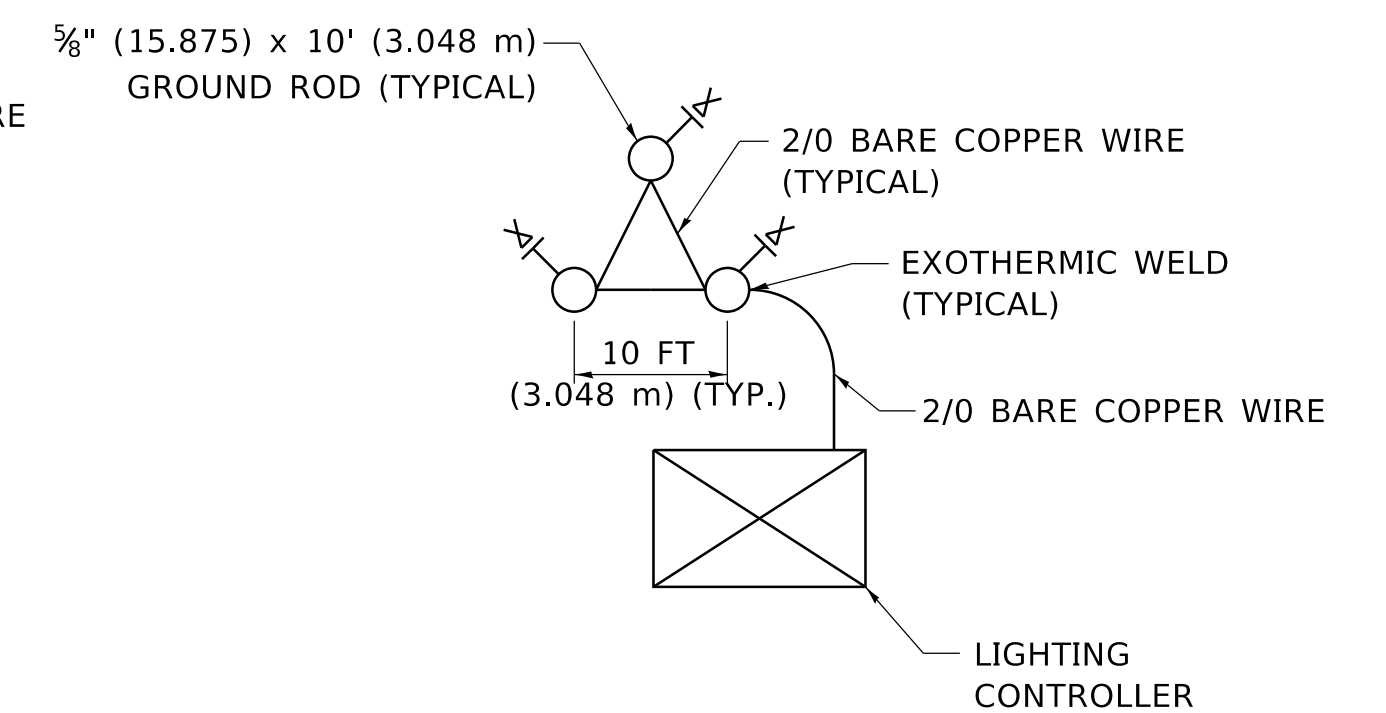
LEFT SIDE ELEVATION



FRONT ELEVATION



GROUND WELL DETAIL



GROUND FIELD DETAIL (N.T.S.)

THE CONTRACTOR SHALL
VERIFY EXACT LOCATION
WITH THE ENGINEER

MODEL: Default
FILE NAME: p:\planningroom.dat
PROJECTS\DOT Documents\DOT Office\Bldg\1101\Documents\DOT Office\Bldg\1101\CA\Drawings\CAB\sheet\be205.dgn

USER NAME = footemj	DESIGNED -	REVISED - R. TOMSONS 05-11-09
	DRAWN -	REVISED - R. TOMSONS 03-10-10
PLOT SCALE = 50.0000" / in.	CHECKED -	REVISED - R. TOMSONS 03-29-12
PLOT DATE = 4/19/2019	DATE -	REVISED - R. TOMSONS 07-21-17

**STATE OF ILLINOIS
DEPARTMENT OF TRANSPORTATION**

**LIGHTING CONTROLLER, BASE MOUNTED,
480VOLT, 200AMP (DUAL) RADIO SCADA**

SCALE: NONE SHEET 3 OF 4 SHEETS STA. TO STA.

F.A. RTE.	SECTION	COUNTY	TOTAL SHEETS	SHEET NO.
BE-205		CONTRACT NO.		
ILLINOIS FED. AID PROJECT				