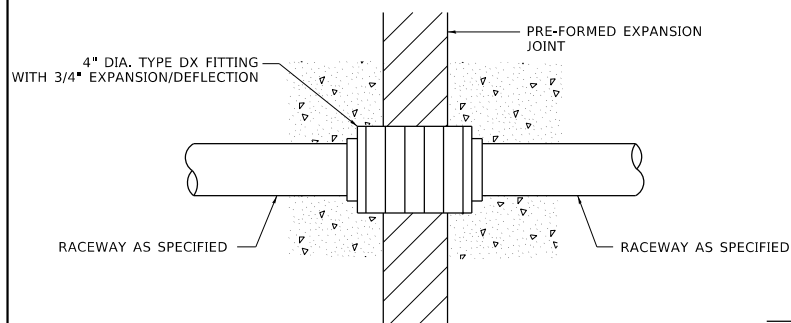
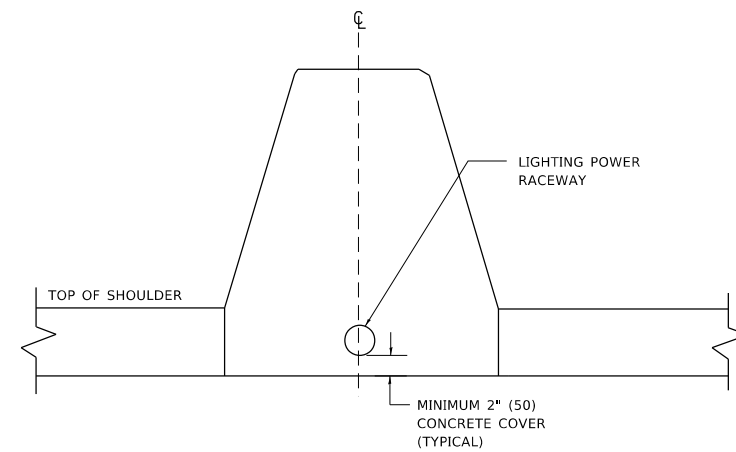
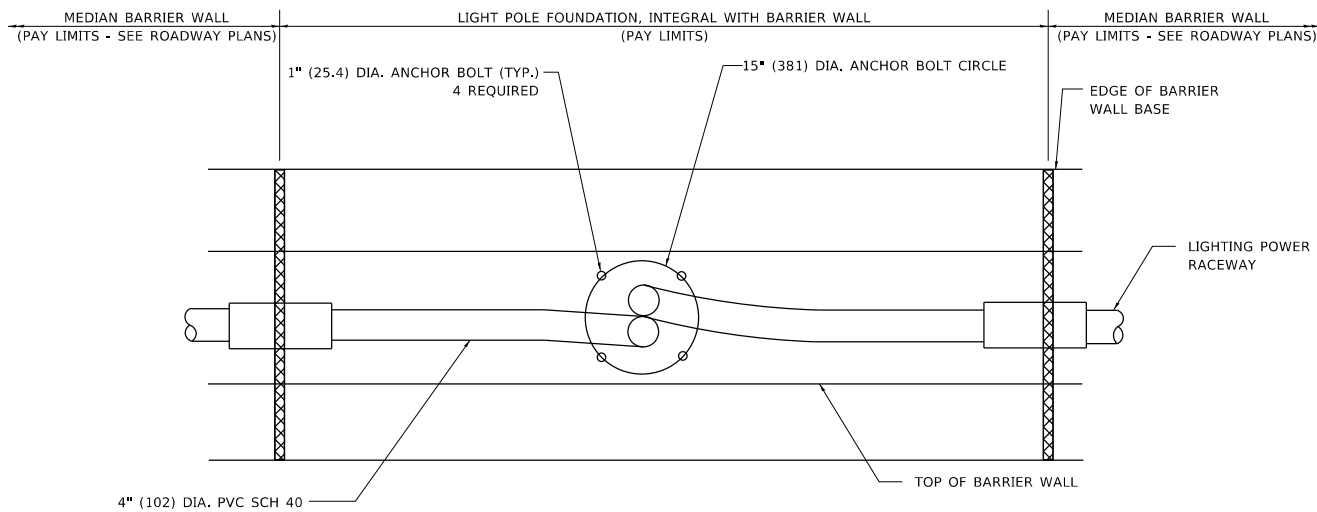


NOTES:

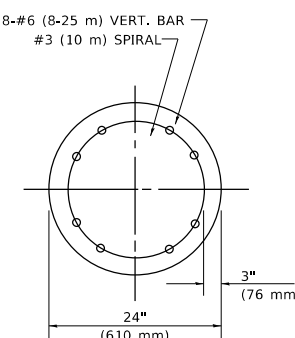
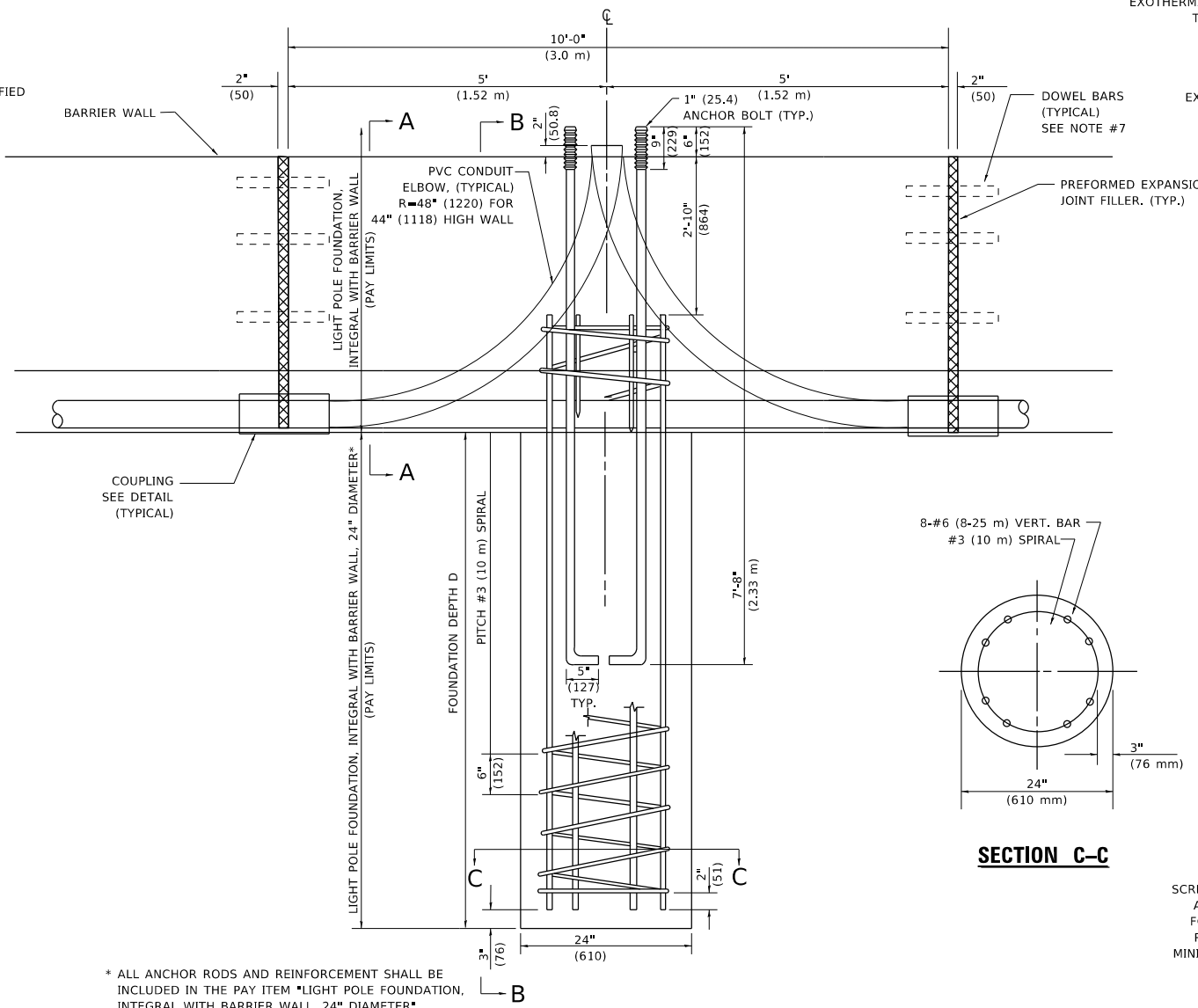
1. ALL DIMENSIONS ARE IN INCHES (MILLIMETERS) UNLESS OTHERWISE SHOWN.
2. THE ANCHOR BOLTS AND RACEWAYS SHALL BE PROPERLY SECURED IN PLACE BEFORE THE CONCRETE IS PLACED IN THE FORMS.
3. THE CONTRACTOR AT HIS OPTION MAY SUBSTITUTE #4 (15 m) TIES AT 12" (304.8 m) CTRS. FOR THE #3 (3 m) SPIRAL, TACKWELDED TYPE BOLT MAY BE SUBSTITUTED FOR THE HOOK TYPE BOLT.
4. COLD BENDING OF THE HOOK BOLT SHALL NOT BE ALLOWED.
5. EXCAVATION FOR THE POLE FOUNDATION SHALL BE MADE WITH AN AUGER 24 INCHES (609.6 m) IN DIAMETER. ROCK EXCAVATION IF REQUIRED SHALL BE IN ACCORDANCE WITH STANDARD SPECIFICATIONS SECTION 502.
6. THE ENGINEER SHALL DETERMINE THE TYPE OF SOIL DURING EXCAVATION AND SELECT THE DESIGN DEPTH OF FOUNDATION FROM THE DESIGN TABLE USING THE DOMINANT CHARACTERISTIC OF THE SOIL ENCOUNTERED.
7. BARRIER WALL EXPANSION AND CONSTRUCTION JOINTS SHALL BE IN ACCORDANCE WITH STANDARD DETAIL 637006-05 AS APPLICABLE. SHAPE OF BARRIER TO MATCH ADJACENT BARRIER SECTIONS (TYPICAL OR VARIABLE HEIGHT).
8. ANCHOR RODS, NUTS, AND WASHERS SHALL BE IN ACCORDANCE WITH STANDARD SPECIFICATIONS ARTICLES 1070.02 AND 1006.09.



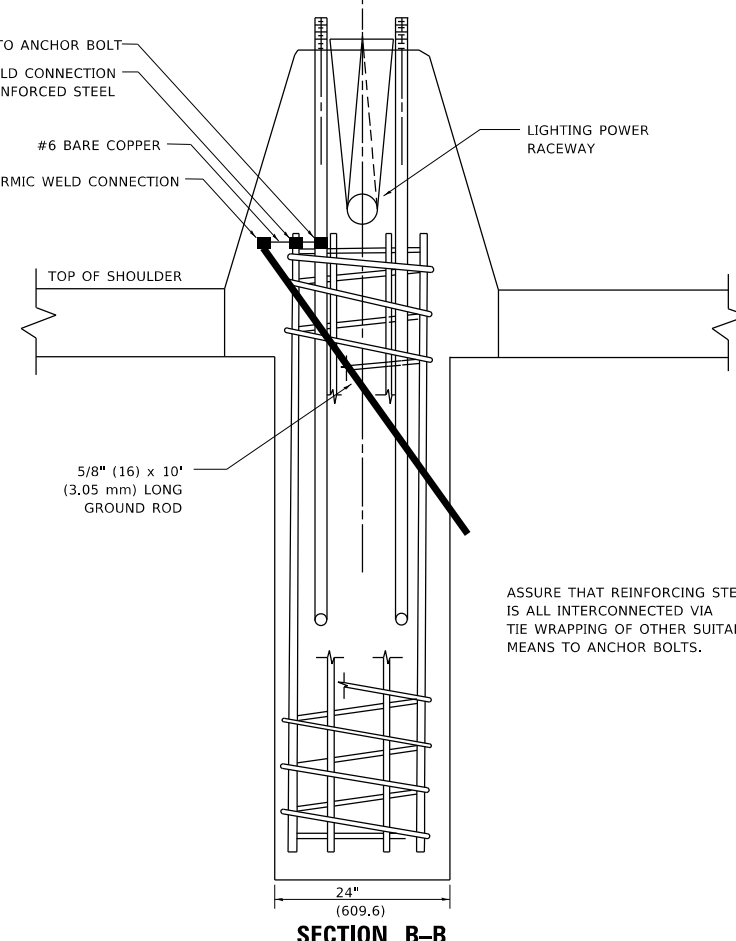
CONDUIT DEFLECTION FITTING DETAIL



SECTION A-A

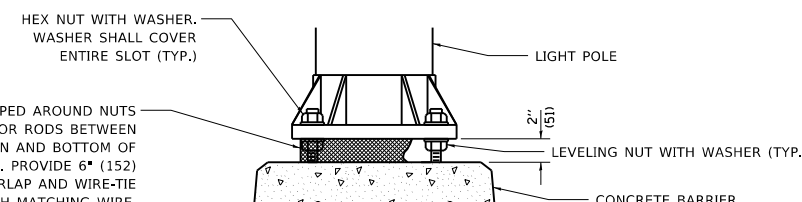


SECTION C-C



SECTION B-B

ASSURE THAT REINFORCING STEEL IS ALL INTERCONNECTED VIA TIE WRAPPING OF OTHER SUITABLE MEANS TO ANCHOR BOLTS.



ELEVATION AT CONCRETE BARRIER

FOUNDATION DEPTH

TYPE OF SOIL	FOUND DEPTH D	REINFORCEMENT IN FOUNDATION	
		VERTICAL BARS	SPIRAL
ROCK OR SOLIDIFIED SLAG	5'-0" (1.52 m)	NONE	NONE
DENSE SAND	7'-9" (2.36 m)	8-#6 x 9'-0" (8-20 m x 2.74 m)	#3 x 90' (3 m x 27.43 m)
MEDIUM SAND	8'-3" (2.51 m)	8-#6 x 9'-5" (8-20 m x 2.87 m)	#3 x 94' (3 m x 28.65 m)
LOOSE SAND	9'-0" (2.74 m)	8-#6 x 10'-2" (8-20 m x 3.09 m)	#3 x 100' (3 m x 30.48 m)
STIFF CLAY	7'-0" (2.13 m)	8-#6 x 10'-8" (8-20 m x 2.48 m)	#3 x 80' (3 m x 24.38 m)
MEDIUM CLAY	9'-6" (2.89 m)	8-#6 x 10'-8" (8-20 m x 3.25 m)	#3 x 104' (3 m x 31.69 m)
SOFT CLAY	13'-0" (3.96 m)	8-#6 x 14'-2" (8-20 m x 4.32 m)	#3 x 144' (3 m x 43.89 m)

* ALL ANCHOR RODS AND REINFORCEMENT SHALL BE INCLUDED IN THE PAY ITEM "LIGHT POLE FOUNDATION, INTEGRAL WITH BARRIER WALL, 24" DIAMETER".

MODEL: Default
FILE: \\paw-behler\paw-behler\com\paw\DOT\Documents\DOT_Offices\Bharat_I\Projects\Illinois\24" Dia Light Pole Foundation\24" Dia Light Pole Foundation.dwg

USER NAME = Lawrence,DeManche	DESIGNED -	REVISED - T. GODINHO 01-30-24
PLOT SCALE = 100,0000' / in.	DRAWN -	REVISED -
PLOT DATE = 1/30/2024	CHECKED -	REVISED -
	DATE -	REVISED -

**STATE OF ILLINOIS
DEPARTMENT OF TRANSPORTATION**

**24" (610 mm) DIA. LIGHT POLE FOUNDATION
INTEGRAL WITH DOUBLE FACE BARRIER WALL, CONSTANT SLOPE**

SCALE: NONE SHEET 1 OF 1 SHEETS STA. TO STA.

F.A. RTE.	SECTION	COUNTY	TOTAL SHEETS	SHEET NO.
	BE-323			
CONTRACT NO.			ILLINOIS FED. AID PROJECT	