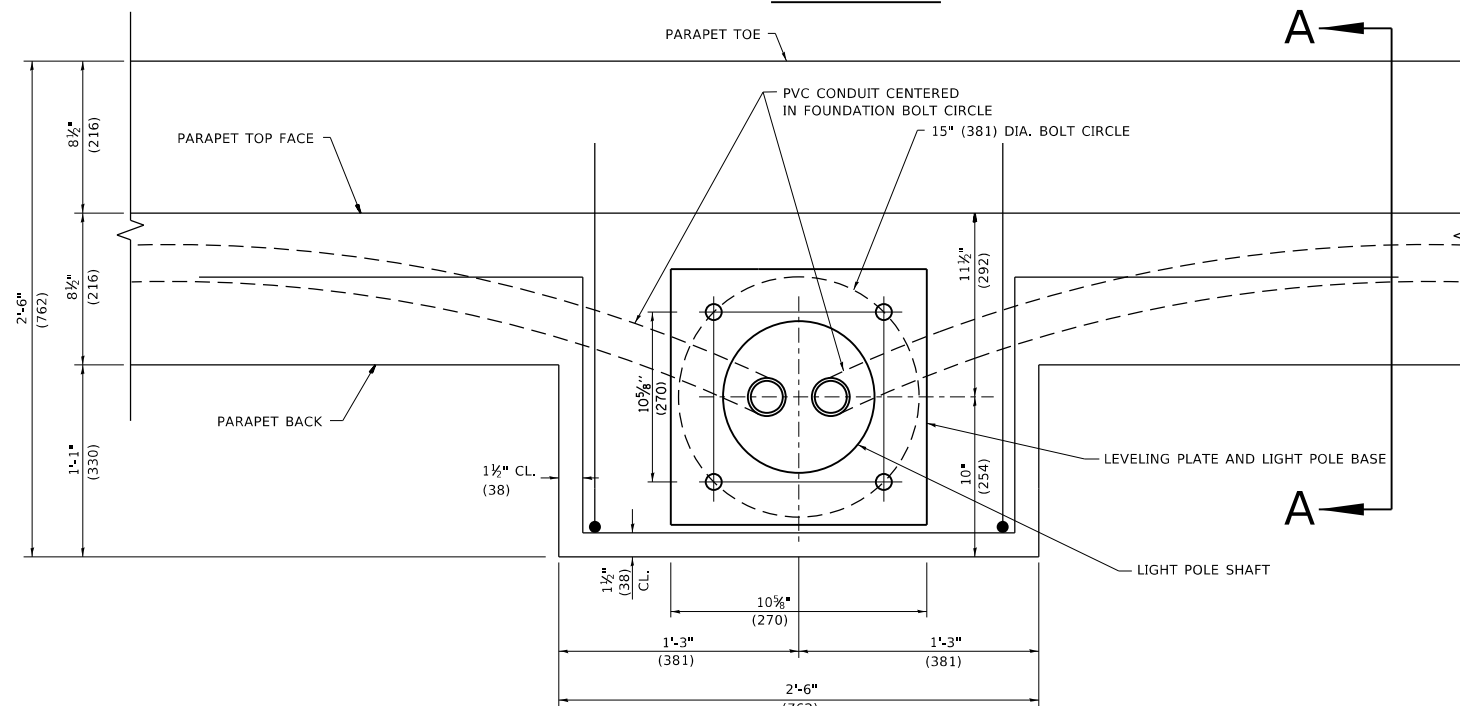


**DETAIL A**

**SECTION A-A**



**PLAN**

**NOTES**

1. ALL DIMENSIONS ARE IN INCHES (MILLIMETERS) UNLESS OTHERWISE SHOWN.
2. THE COST OF ANCHOR RODS IS INCLUDED WITH CONCRETE SUPERSTRUCTURE.
3. SEE STRUCTURAL PLANS FOR ANCHOR ROD AND REBAR DETAILS.

MODEL: Default  
FILE NAME: C:\projects\Details for Final\red04-12-2023\be331.dgn

USER NAME = Lawrence,DeManche	DESIGNED -	REVISED - T. GODINHO 04-12-23
	DRAWN -	REVISED -
PLOT SCALE = 100.0000' / in.	CHECKED -	REVISED -
PLOT DATE = 4/12/2023	DATE -	REVISED -

**STATE OF ILLINOIS  
DEPARTMENT OF TRANSPORTATION**

**LIGHT POLE MOUNTED ON CONCRETE PARAPET WALL, CONSTANT SLOPE  
15" (381 mm) BOLT CIRCLE**

SCALE: NONE SHEET 1 OF 1 SHEETS STA. TO STA.

F.A. RTE.	SECTION	COUNTY	TOTAL SHEETS	SHEET NO.
<b>BE-331</b>		CONTRACT NO.		
ILLINOIS FED. AID PROJECT				