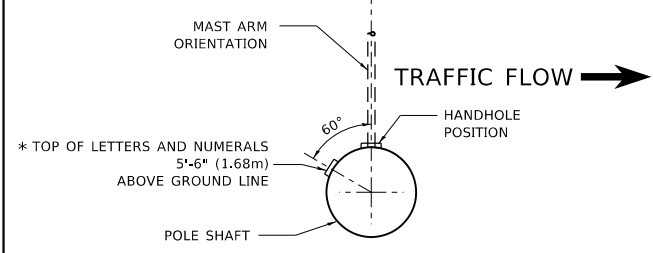
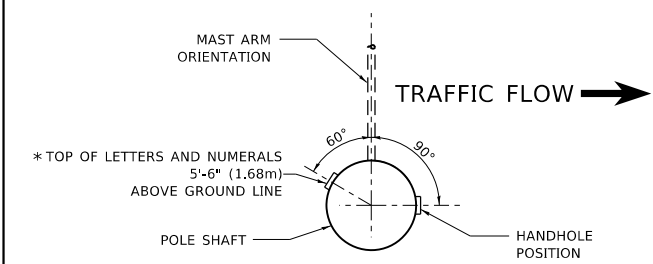


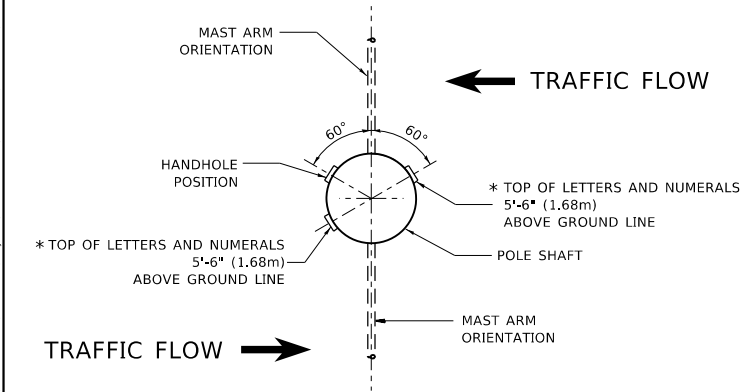
MODEL: Default  
FILE: \\nas01\paw.bentley.com\PI\DOT\Documents\DOT\_Offices\Bhndt. I\Projects\DH5422\3\ACAD\Drawings\CAD\Sheet\lbe403.dwg



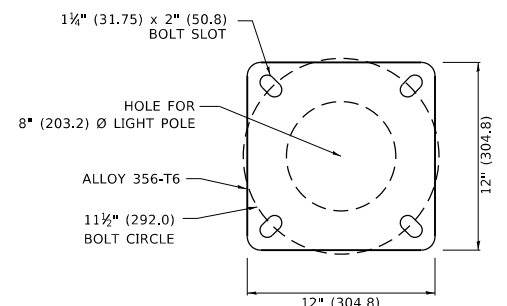
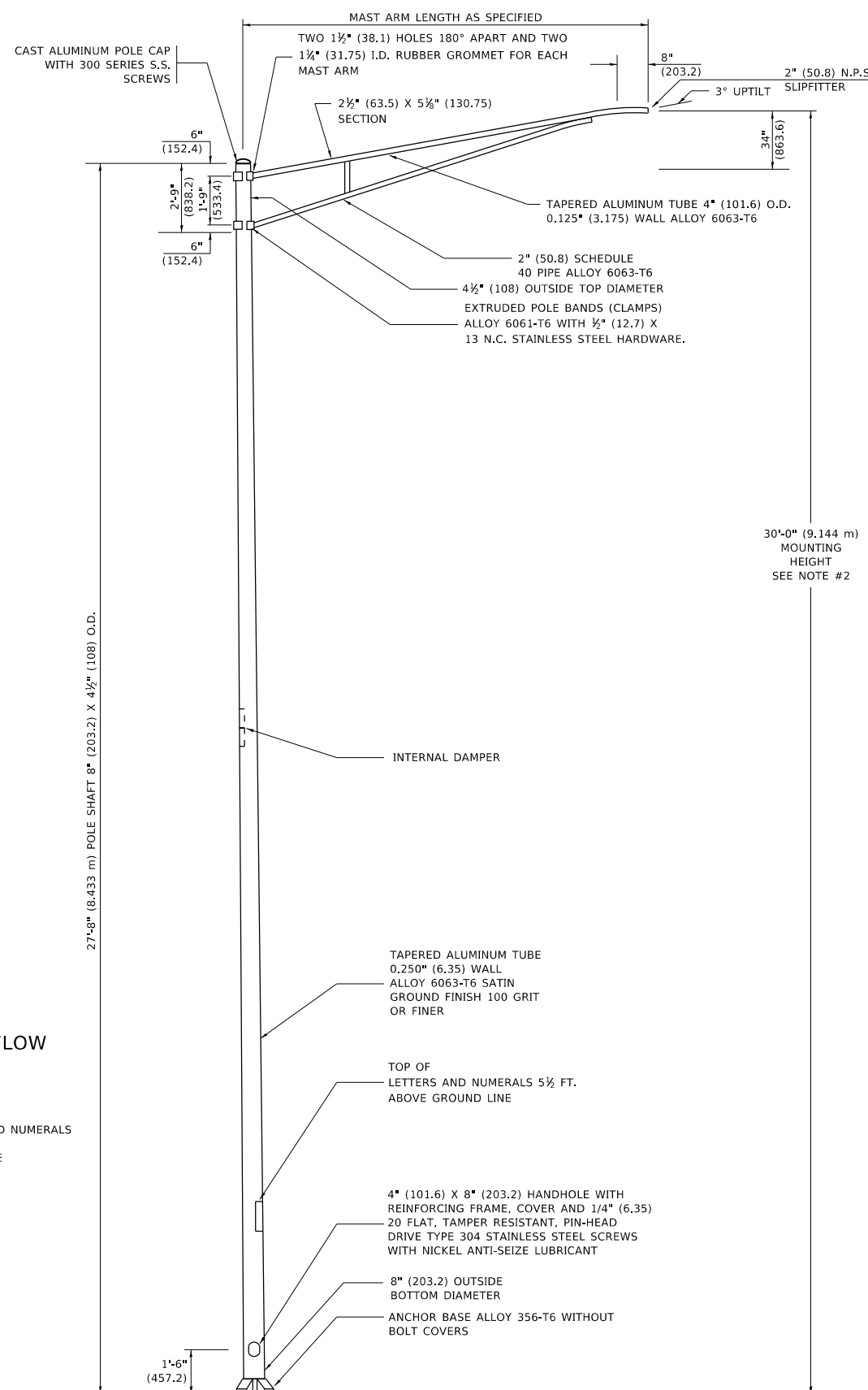
**POSITION OF HANDHOLE AND POLE NUMBER FOR SINGLE MAST ARM POLES MOUNTED ON BRIDGE PARAPET OR BARRIER WALL**



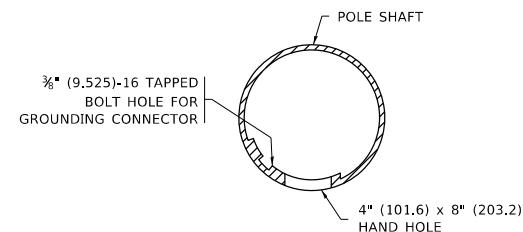
**POSITION OF HANDHOLE AND POLE NUMBER FOR SINGLE MAST ARM POLES**



**POSITION OF HANDHOLE AND POLE NUMBER FOR TWIN MAST ARM POLES**



**LIGHT POLE BASE PLATE DETAIL**  
11 1/2" (292.0) BOLT CIRCLE



**HANDHOLE DETAIL**  
(N.T.S.)

**NOTES**

1. ALL DIMENSIONS ARE IN INCHES (MILLIMETERS) UNLESS OTHERWISE SHOWN.
2. MOUNTING HEIGHT IS DEFINED AS THE DISTANCE FROM THE CENTERLINE OF THE TENON TO THE BOTTOM OF THE ANCHOR BASE.
3. THE LIGHT POLE WILL MEET AASHTO DESIGN CRITERIA AS SPECIFIED.
4. THE INSTALLING CONTRACTOR WILL PROVIDE A UL LISTED GROUNDING CONNECTOR. BURNDY K2C23, T&B SP4DL OR APPROVED EQUAL.
5. LIGHT POLES WILL NOT BE INSTALLED WITHOUT MAST ARMS AND LUMINAIRES.
6. LIGHT POLES WILL BE SET PLUMB ON THE FOUNDATION WITHOUT THE USE OF LEVELING NUTS, WASHERS OR SHIMS.
7. LIGHTING UNIT IDENTIFICATION NUMBERS SHALL BE INSTALLED BEFORE THE LIGHTING UNIT IS ENERGIZED.

USER NAME = Lawrence,DeManche	DESIGNED -	REVISED - R. TOMSONS 09-02-03
	DRAWN -	REVISED - R. TOMSONS 01-18-13
PLOT SCALE = 100.0000' / in.	CHECKED -	REVISED - TG 06-13-22
PLOT DATE = 12/19/2023	DATE -	REVISED - R. TOMSONS 12-19-23

**STATE OF ILLINOIS  
DEPARTMENT OF TRANSPORTATION**

<b>ALUMINUM LIGHT POLE</b>			
<b>30'-0" (9.144 m) MOUNTING HEIGHT</b>			
SCALE: NONE	SHEET 1 OF 1 SHEETS	STA.	TO STA.

F.A. RTE.	SECTION	COUNTY	TOTAL SHEETS	SHEET NO.
<b>BE-403</b>		CONTRACT NO.		
ILLINOIS FED. AID PROJECT				