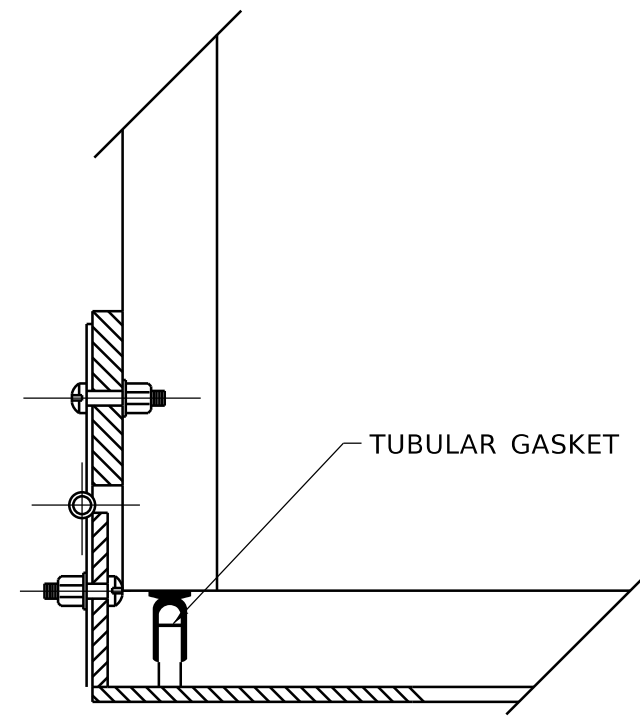
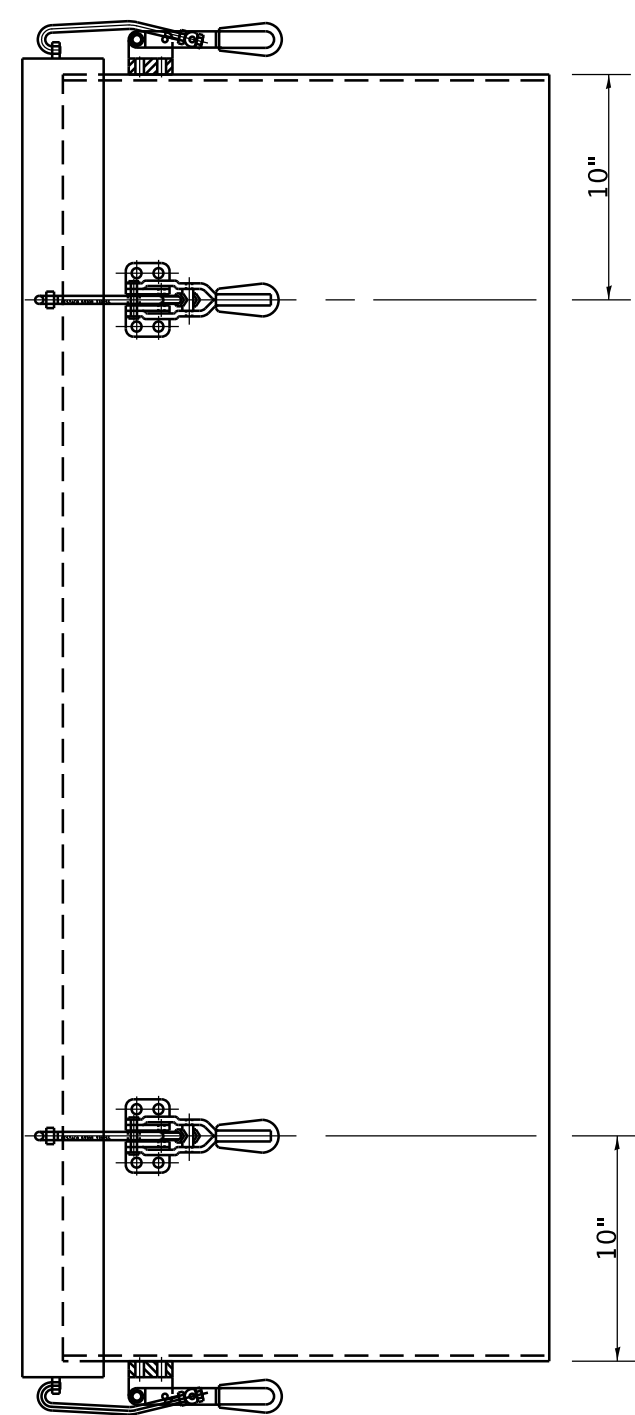


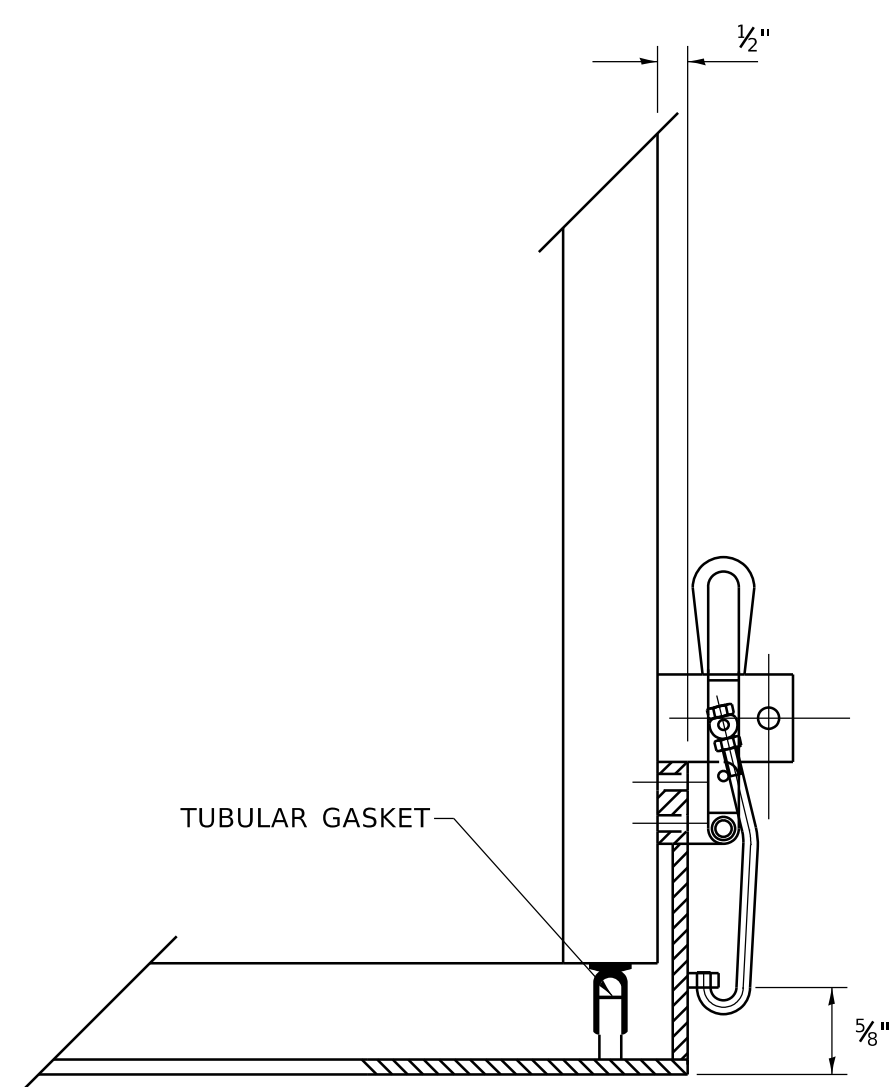
TOP VIEW



HINGE DETAIL

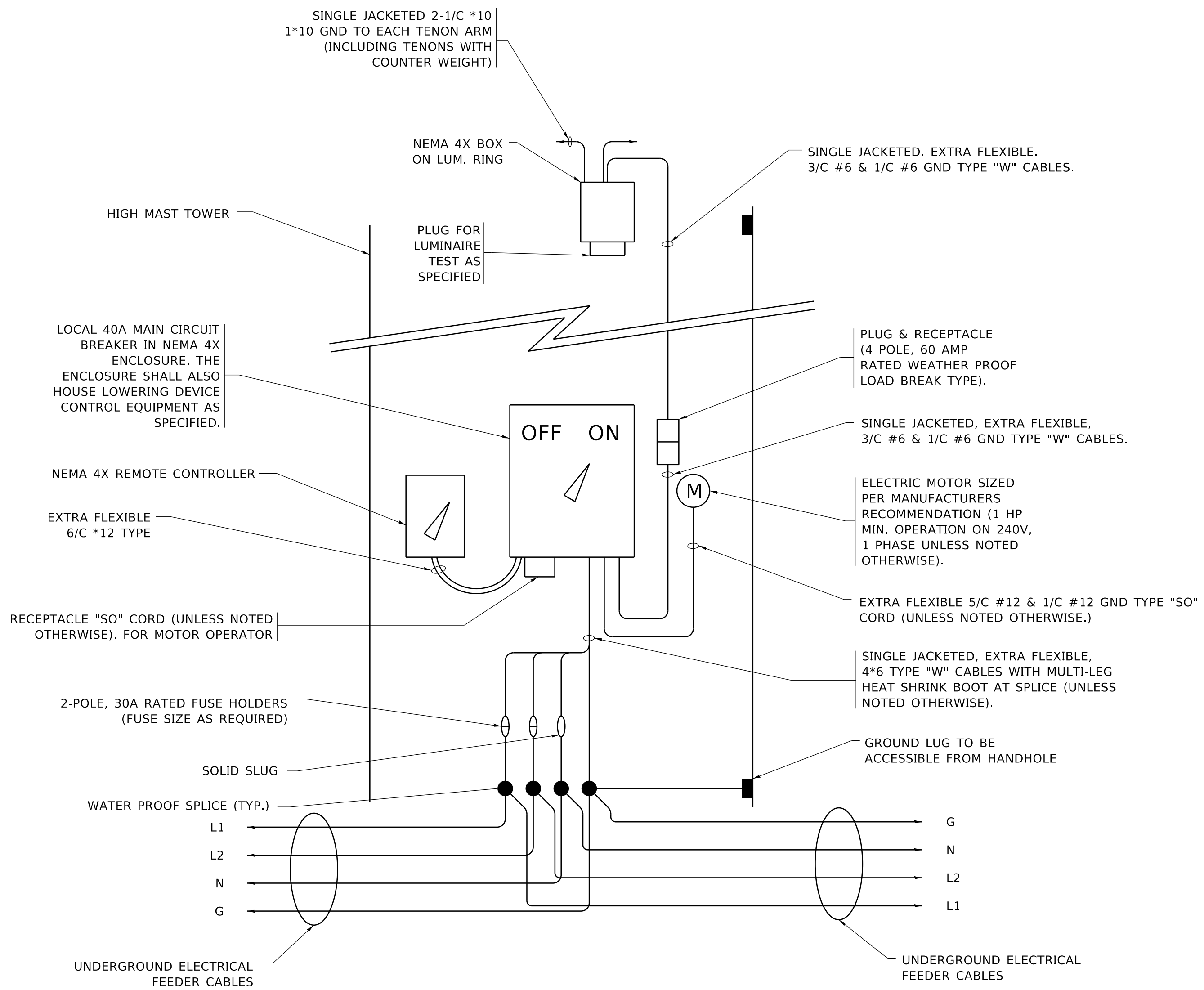


SIDE VIEW

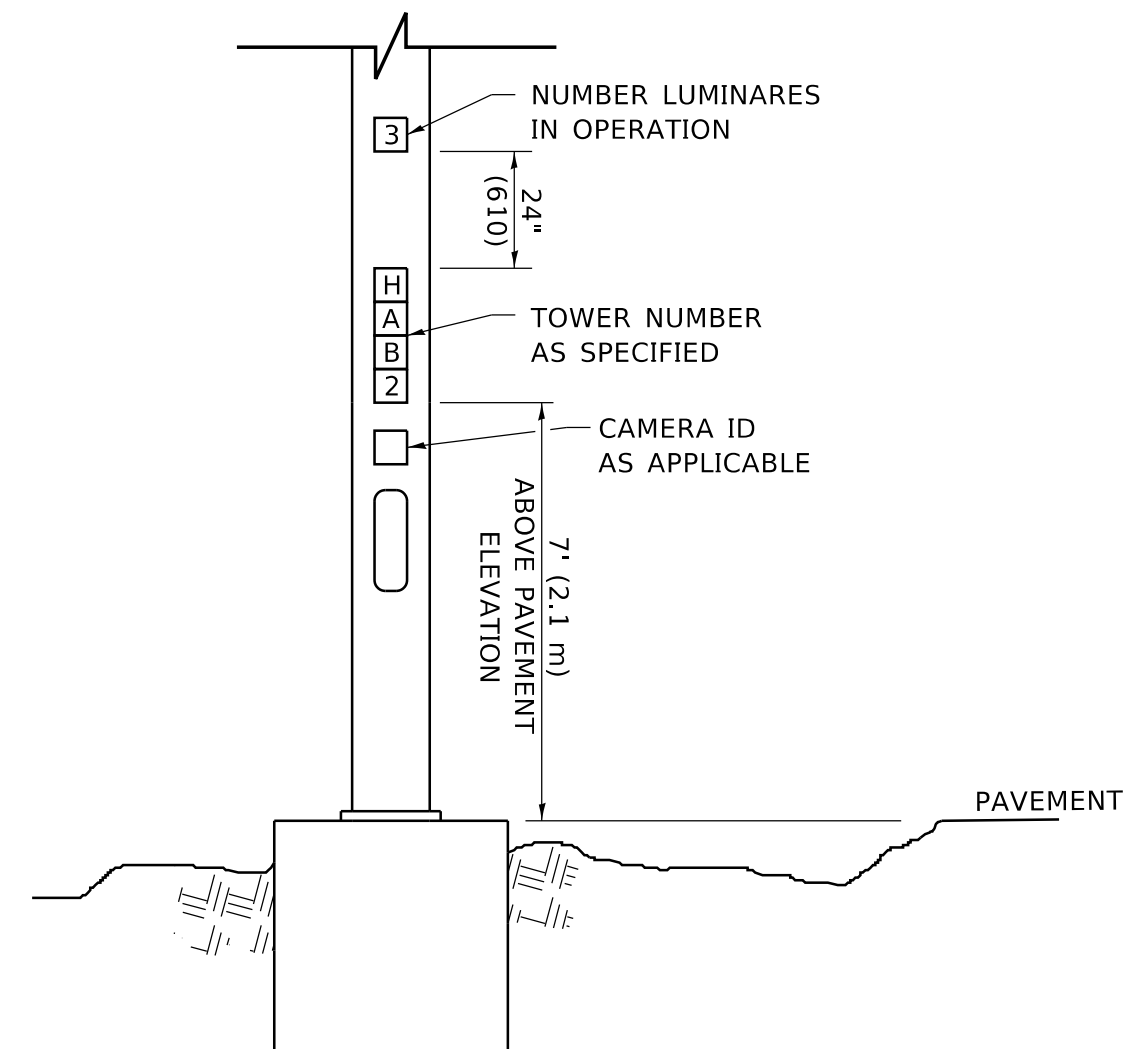


LATCH DETAIL

HANDHOLE DOOR DETAILS



HIGH MAST POLE WIRING DIAGRAM



LIGHT TOWER NUMBERING DETAIL

MODEL: Default
FILE: MainE_pvw\planroom.dwt
PROJECTS\DOT\Documents\DOT_Offices\District_1\Projects\DH5422\31CAD\Drawn\CAD\sheet3be500.dgn

USER NAME = footemj	DESIGNED -	REVISED - R. TOMSONS 09-02-10
PLOT SCALE = 50.0000 "/in.	DRAWN -	REVISED - R. TOMSONS 02-27-13
PLOT DATE = 4/19/2019	CHECKED -	REVISED - R. TOMSONS 04-29-16
	DATE -	REVISED - R. TOMSONS 07-26-16

**STATE OF ILLINOIS
DEPARTMENT OF TRANSPORTATION**

**HIGH MAST LIGHT TOWER
100 FT TO 160 FT (30 m TO 49 m)**

SCALE: NONE SHEET 3 OF 3 SHEETS STA. TO STA.

F.A. RTE.	SECTION	COUNTY	TOTAL SHEETS	SHEET NO.
	BE-500			
		CONTRACT NO.		
ILLINOIS FED. AID PROJECT				