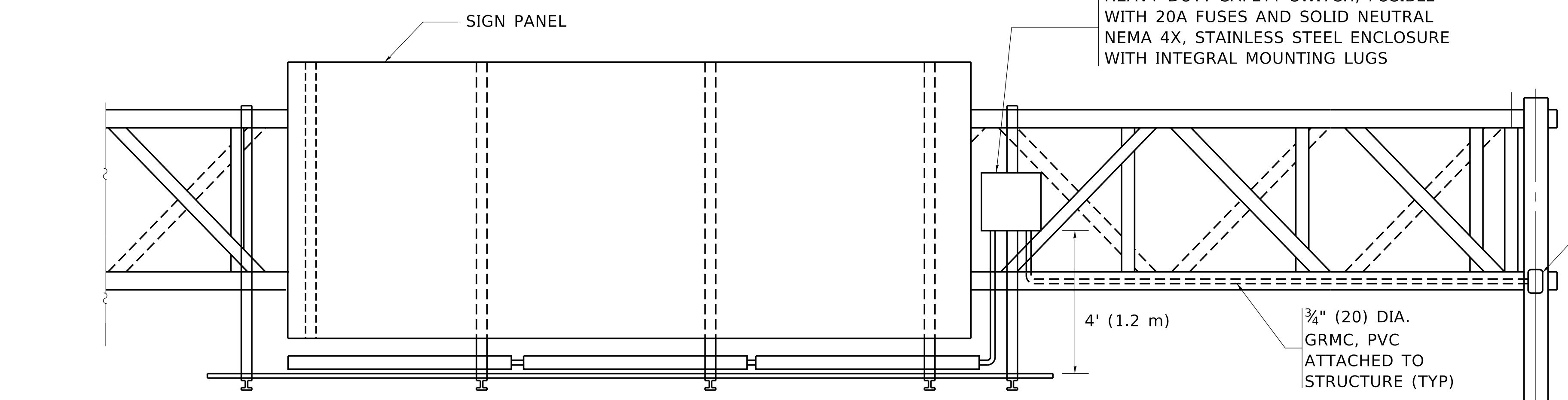
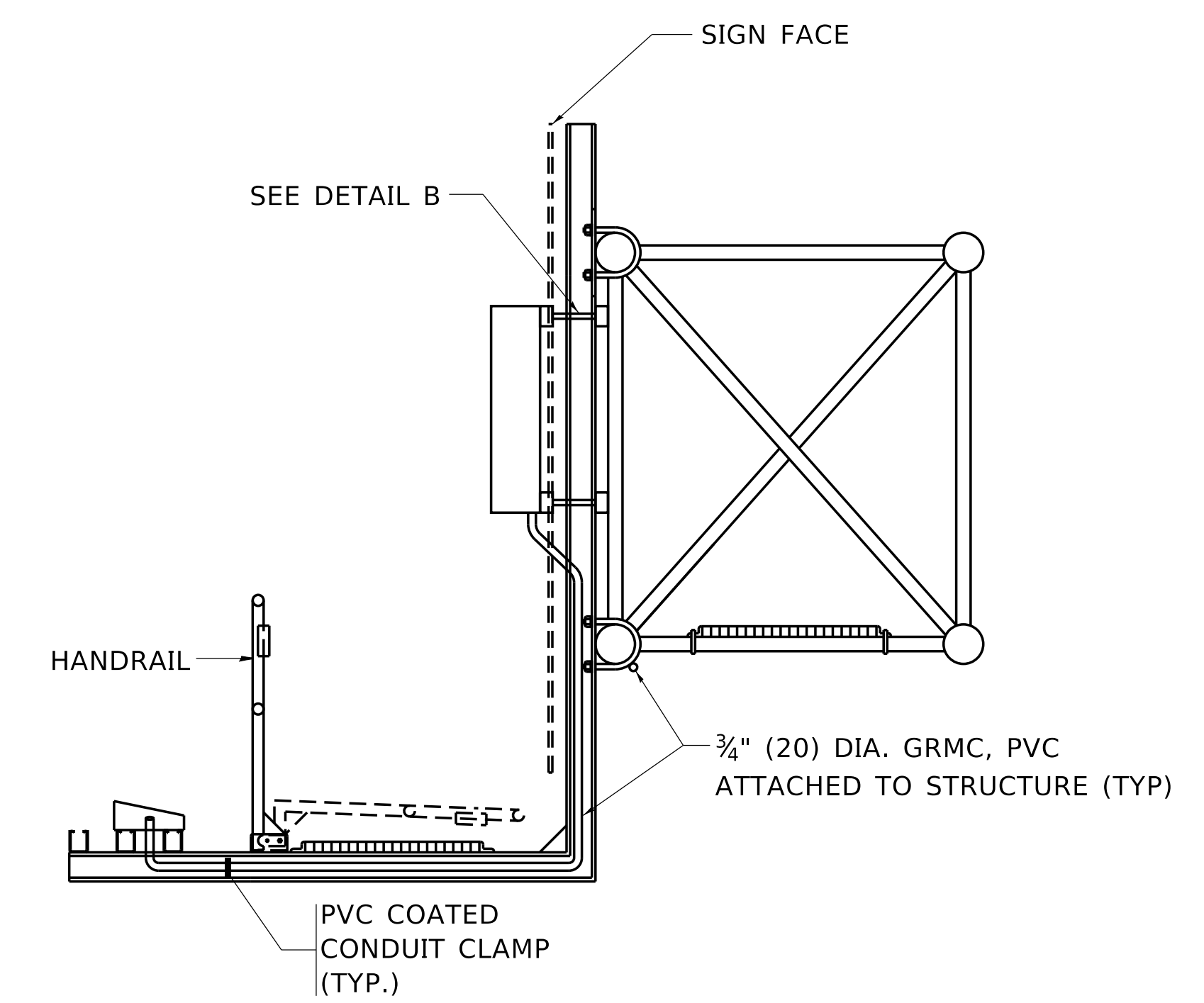


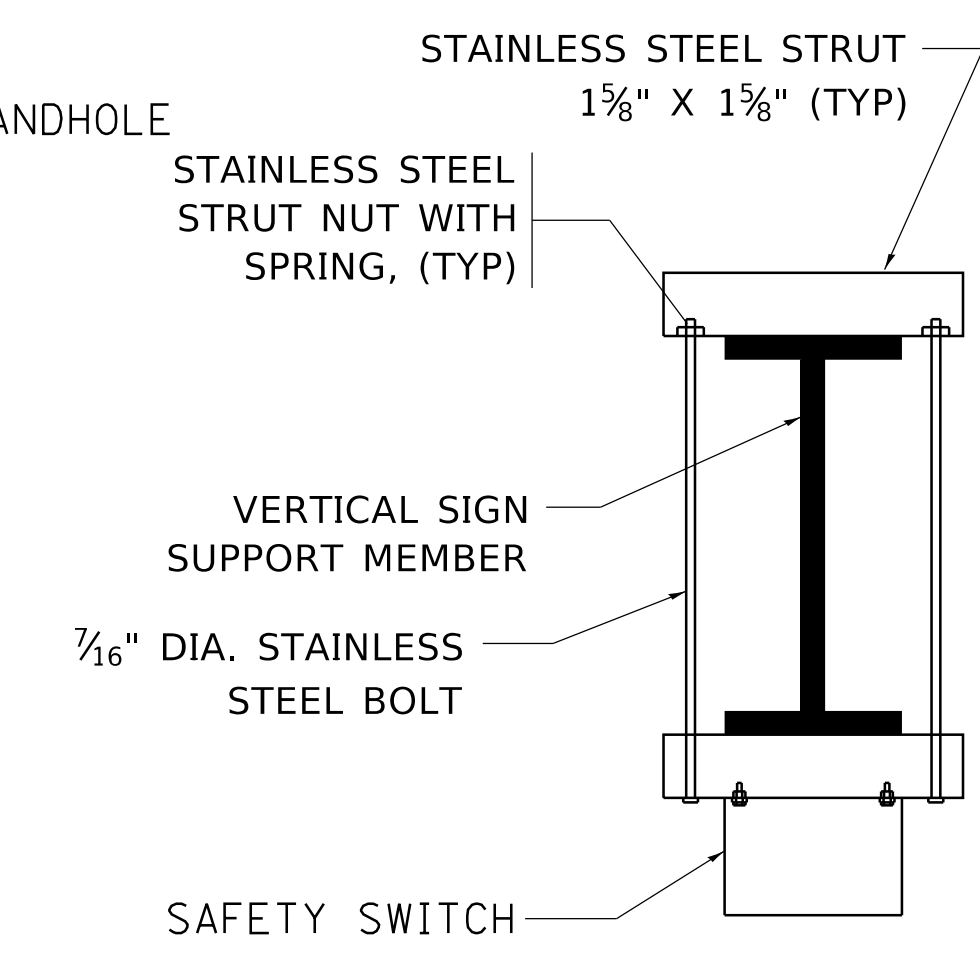
TOP VIEW



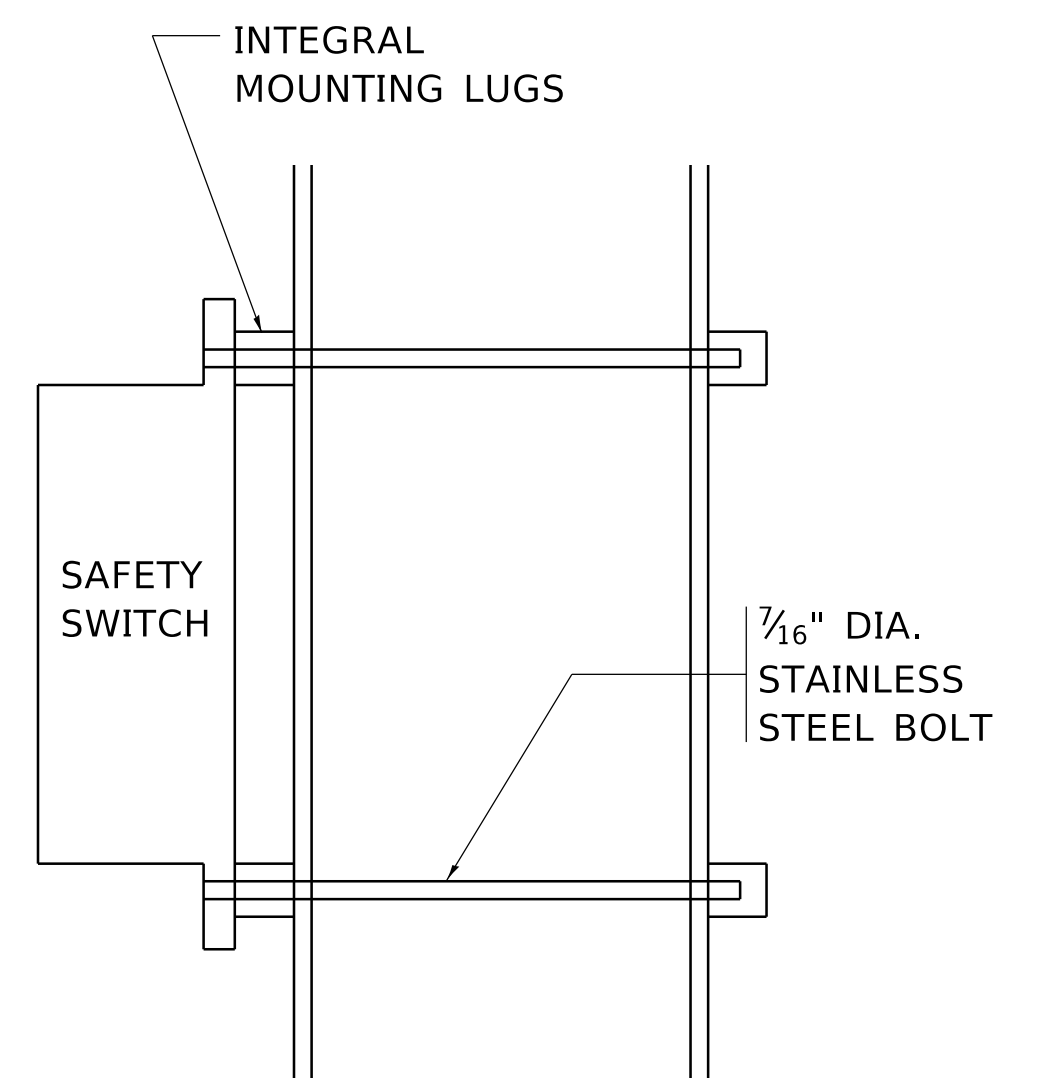
ELEVATION VIEW



DETAIL B



TOP VIEW



SIDE VIEW

MODEL: Default
 FILE: M:\MTE_PlanRoom\dot Illinois.gov\PIW\DOT\Documents\DOT_Offices\District_1\Projects\Dist5\2231\CAD\Drawn\CAD\Sheets\Sheets\BE600.dgn
 4/19/2019 3:17:34 PM User:dotcom

USER NAME = footemj	DESIGNED -	REVISED - 09-19-04
PLOT SCALE = 50.0000 ' / in.	DRAWN -	REVISED -
PLOT DATE = 4/19/2019	CHECKED -	REVISED -
	DATE -	REVISED -

**STATE OF ILLINOIS
DEPARTMENT OF TRANSPORTATION**

ELECTRIC CONNECTION TO SIGN STRUCTURE			
SPAN TYPE			
SCALE: NONE	SHEET 2	OF 2 SHEETS	STA. TO STA.

F.A. RTE.	SECTION	COUNTY	TOTAL SHEETS	SHEET NO.
BE-600		CONTRACT NO.		
ILLINOIS FED. AID PROJECT				