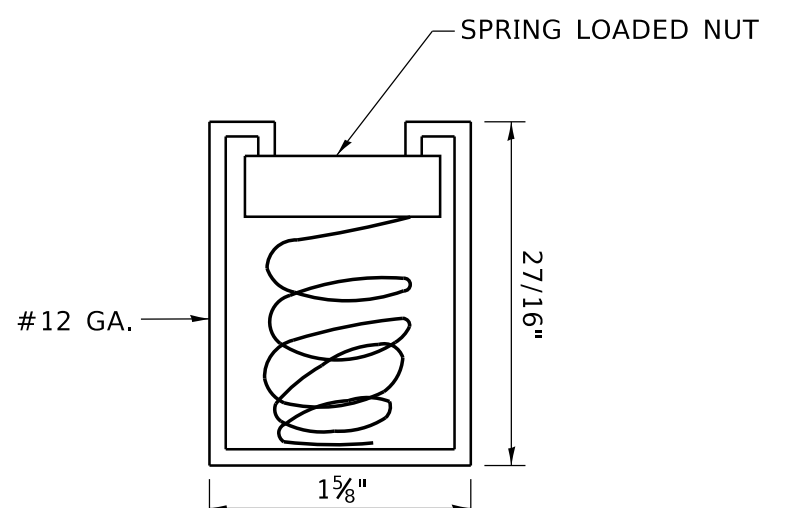
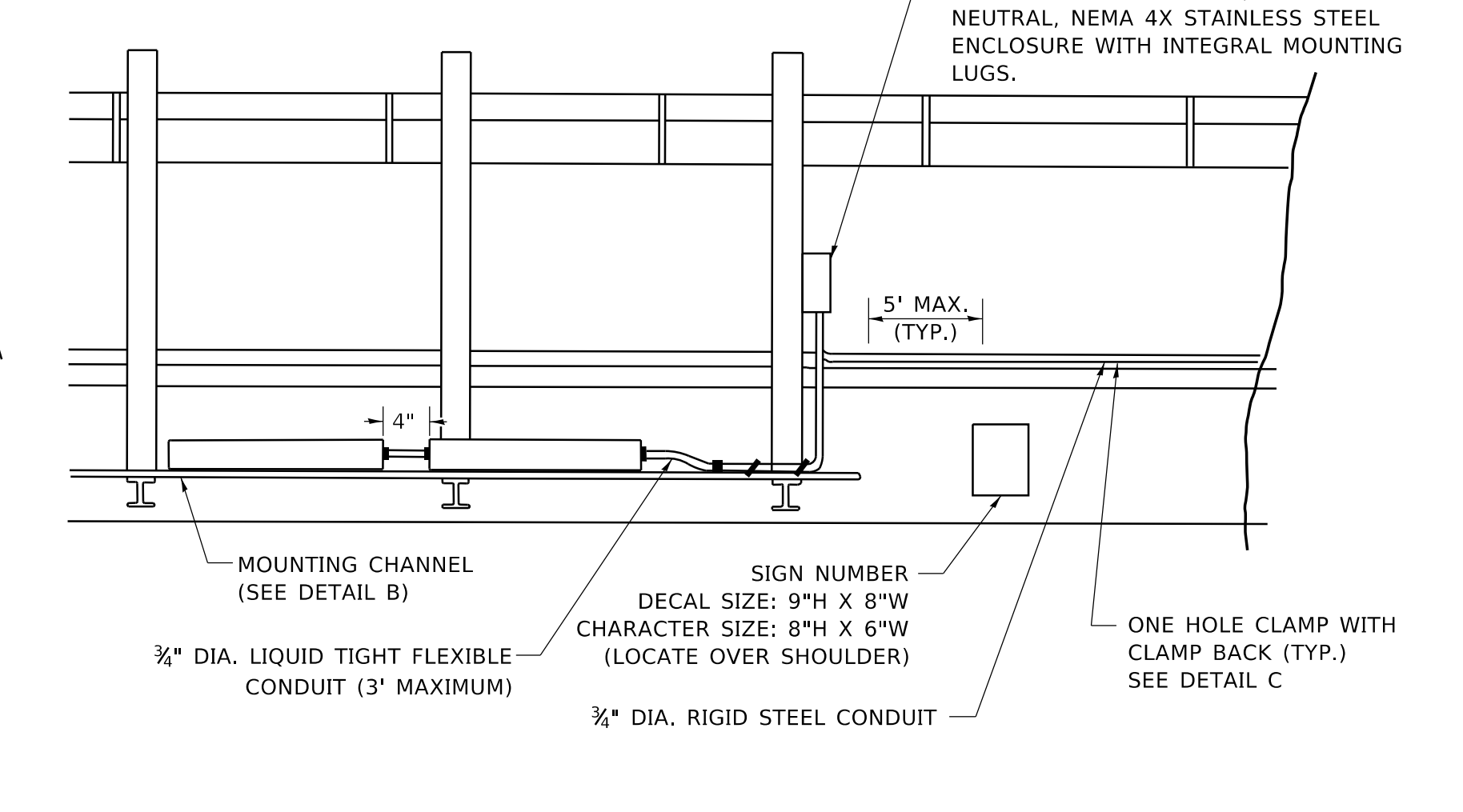
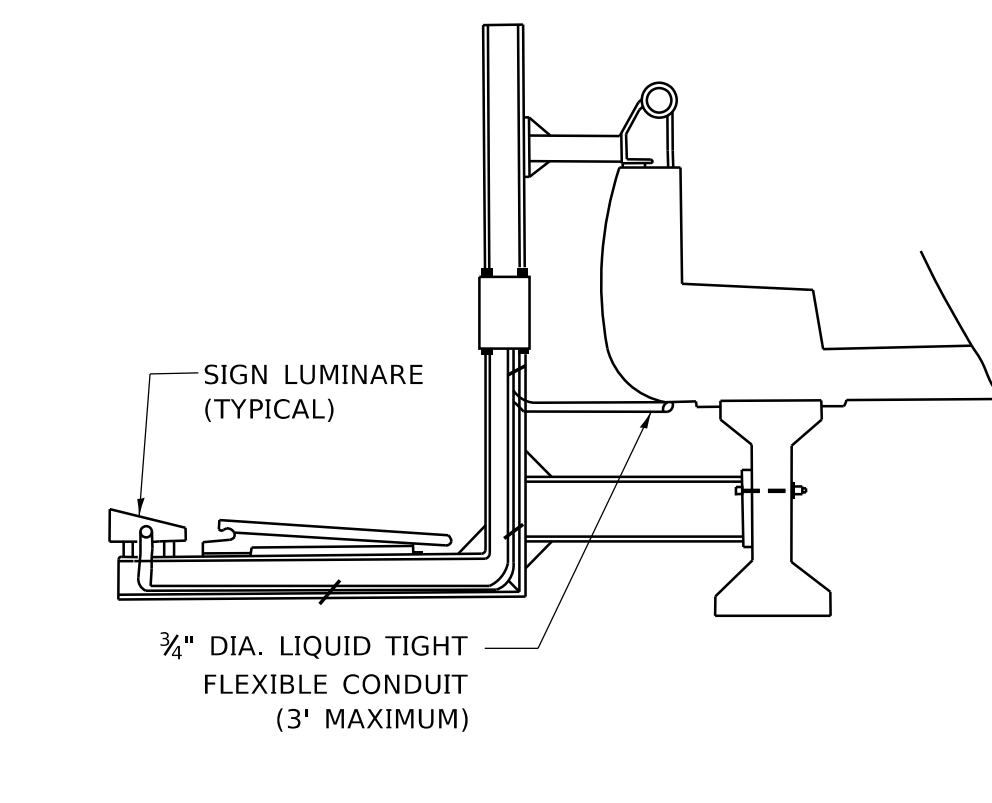
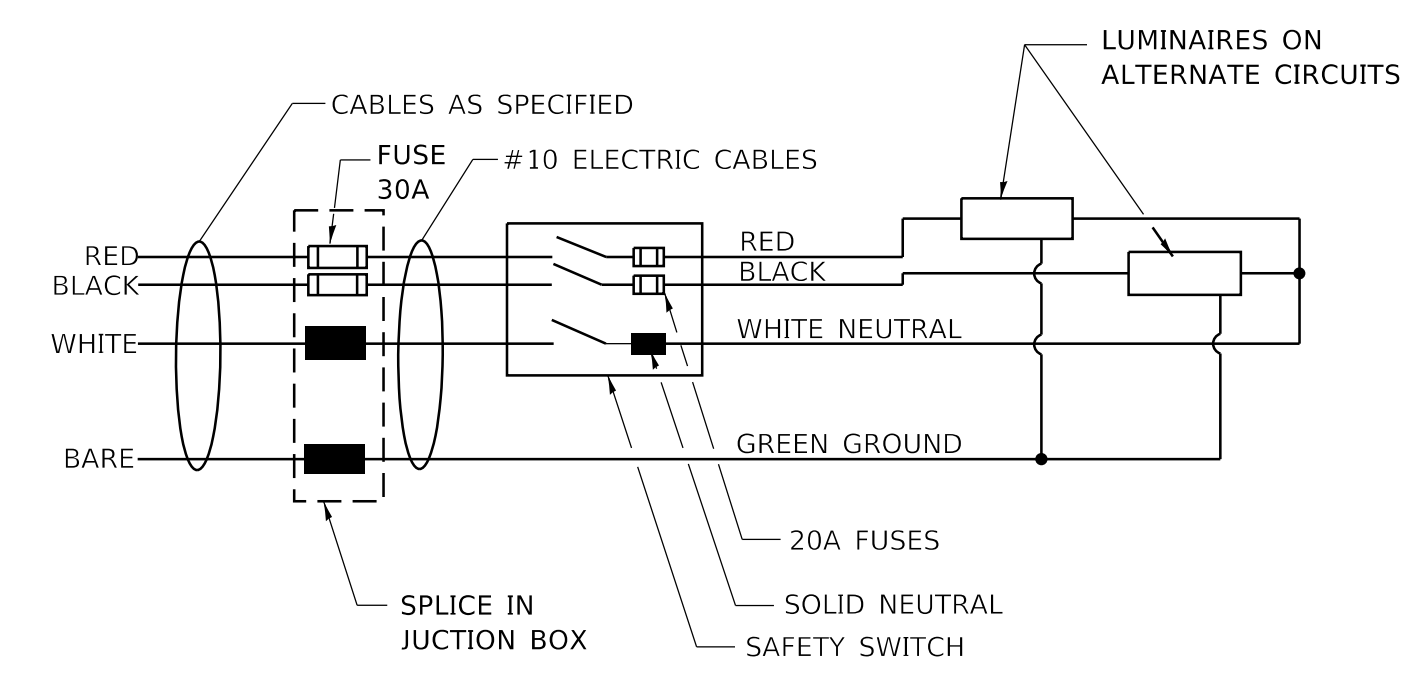


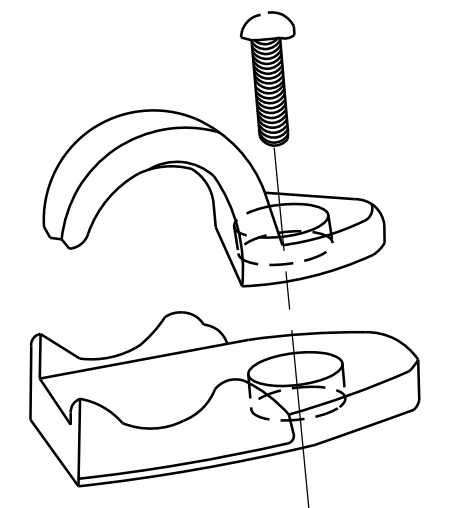
**BEAM CLAMP (TYP.)
(CONT.)**



DETAIL B
CONTINUOUS-SLOT MOUNTING CHANNEL GALVANIZED STEEL



WIRING DIAGRAM



DETAIL C

MODEL: Default
FILE: Main: p:\planningroom.dat: illinois.gov:PWIDOT\Documents\DOT_Offices\District_1\Projects\Dist5\22-31\CAD\Drawn\CADsheets\be602.dgn

USER NAME = footemj	DESIGNED -	REVISED -
PLOT SCALE = 50.0000 ' / in.	DRAWN - J. LEAF	REVISED -
PLOT DATE = 4/19/2019	CHECKED -	REVISED -
	DATE - 04-14-2008	REVISED -

**STATE OF ILLINOIS
DEPARTMENT OF TRANSPORTATION**

**ELECTRIC CONNECTION TO SIGN STRUCTURE
BRIDGE TYPE**

SCALE: NONE SHEET 1 OF 1 SHEETS STA. TO STA.

F.A. RTE.	SECTION	COUNTY	TOTAL SHEETS	SHEET NO.
	BE-602			
ILLINOIS		FED. AID PROJECT		