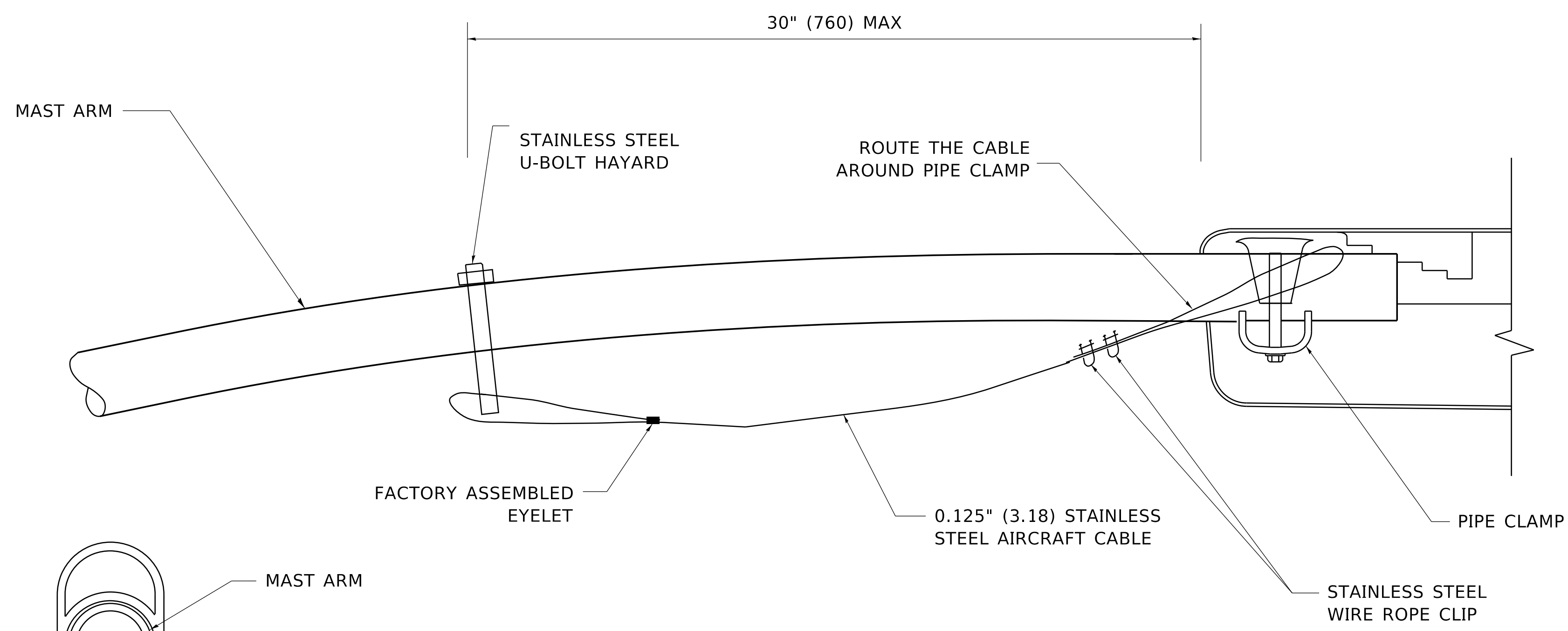
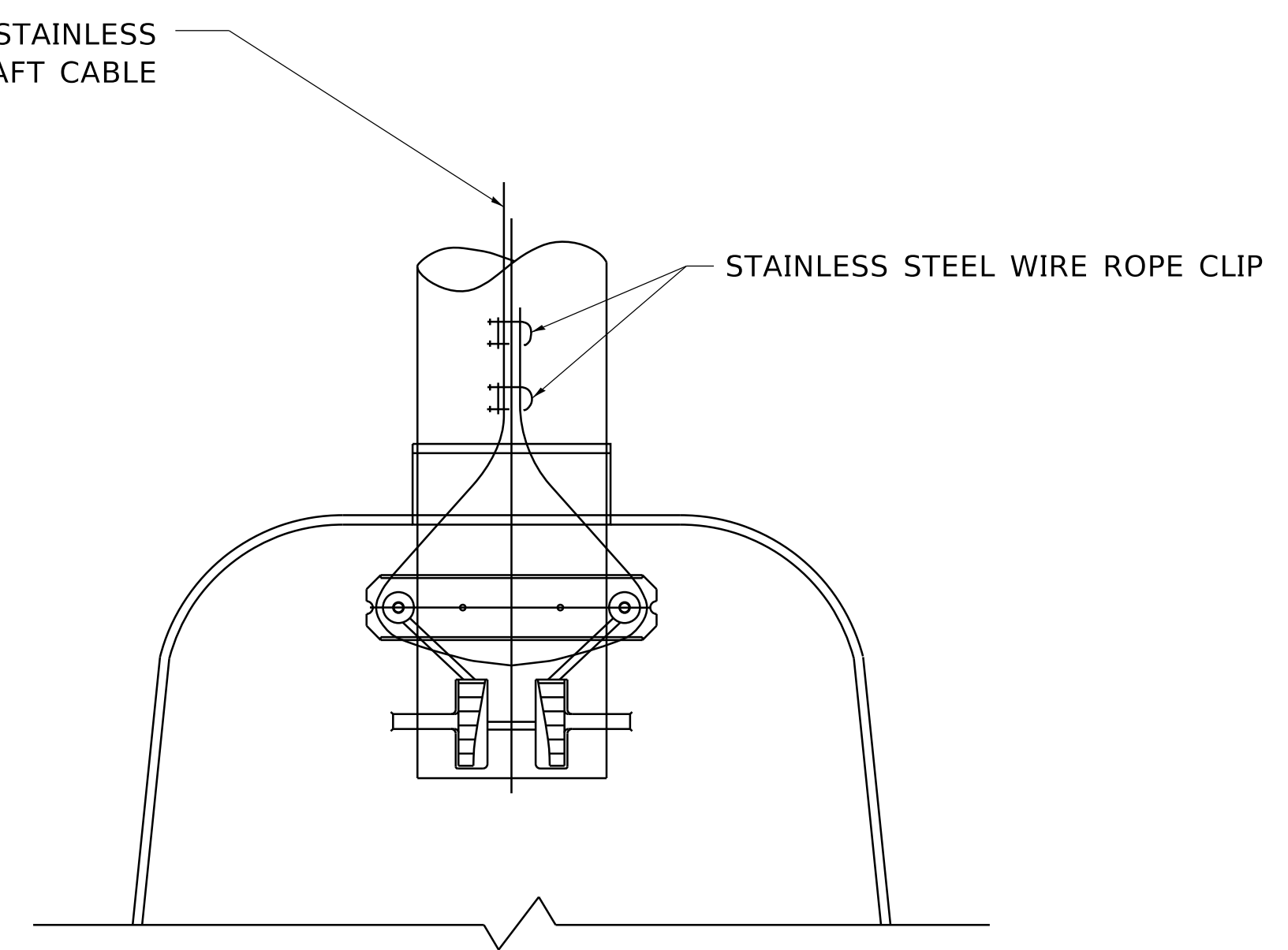


SIDE VIEW (TRUSS ARM)
N.T.S.



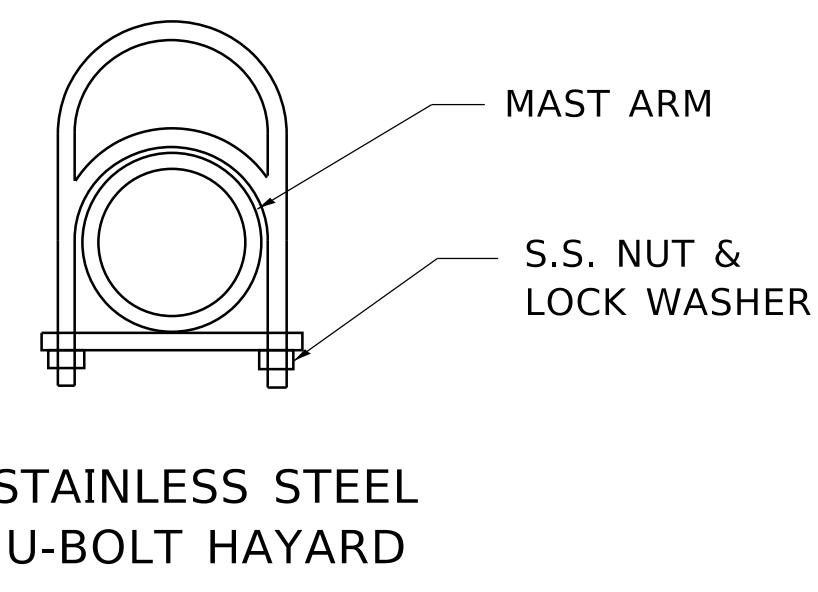
SIDE VIEW (SINGLE MEMBER OR DAVIT ARM)
N.T.S.



BOTTOM VIEW
N.T.S.

NOTES:

1. ALL DIMENSIONS ARE IN MILLIMETERS (INCHES) UNLESS OTHERWISE SHOWN.
2. CONTRACTOR SHALL ADJUST THE WIRE CLIP TO ELIMINATE ANY SLACK FROM THE WIRE ROPE.
3. THE 0.125" (3.18) STAINLESS STEEL AIRCRAFT CABLE SHALL REMAIN VISIBLE FROM THE GROUND LEVEL.
4. THE BREAKING STRENGTH OF THE CABLE SHALL BE 1700 LBS. MIN.



STAINLESS STEEL U-BOLT HAYARD

MODEL: Default
FILE NAME: p:\planningroom.dwt
PROJECTS\DOT\Documents\DOT_Offices\District_1\Projects\BHS\2231\CAD\Drawn\CADsheets\be701.dgn

USER NAME = footemj	DESIGNED -	REVISED - 08-08-03
PLOT SCALE = 50.0000 ' / in.	DRAWN -	REVISED -
PLOT DATE = 4/19/2019	CHECKED -	REVISED -
	DATE -	REVISED -

STATE OF ILLINOIS
DEPARTMENT OF TRANSPORTATION

LUMINAIRE SAFETY CABLE ASSEMBLY			
SCALE: NONE	SHEET 1	OF 1 SHEETS	STA. TO STA.

F.A. RTE.	SECTION	COUNTY	TOTAL SHEETS	SHEET NO.
BE-701		CONTRACT NO.		
ILLINOIS FED. AID PROJECT				