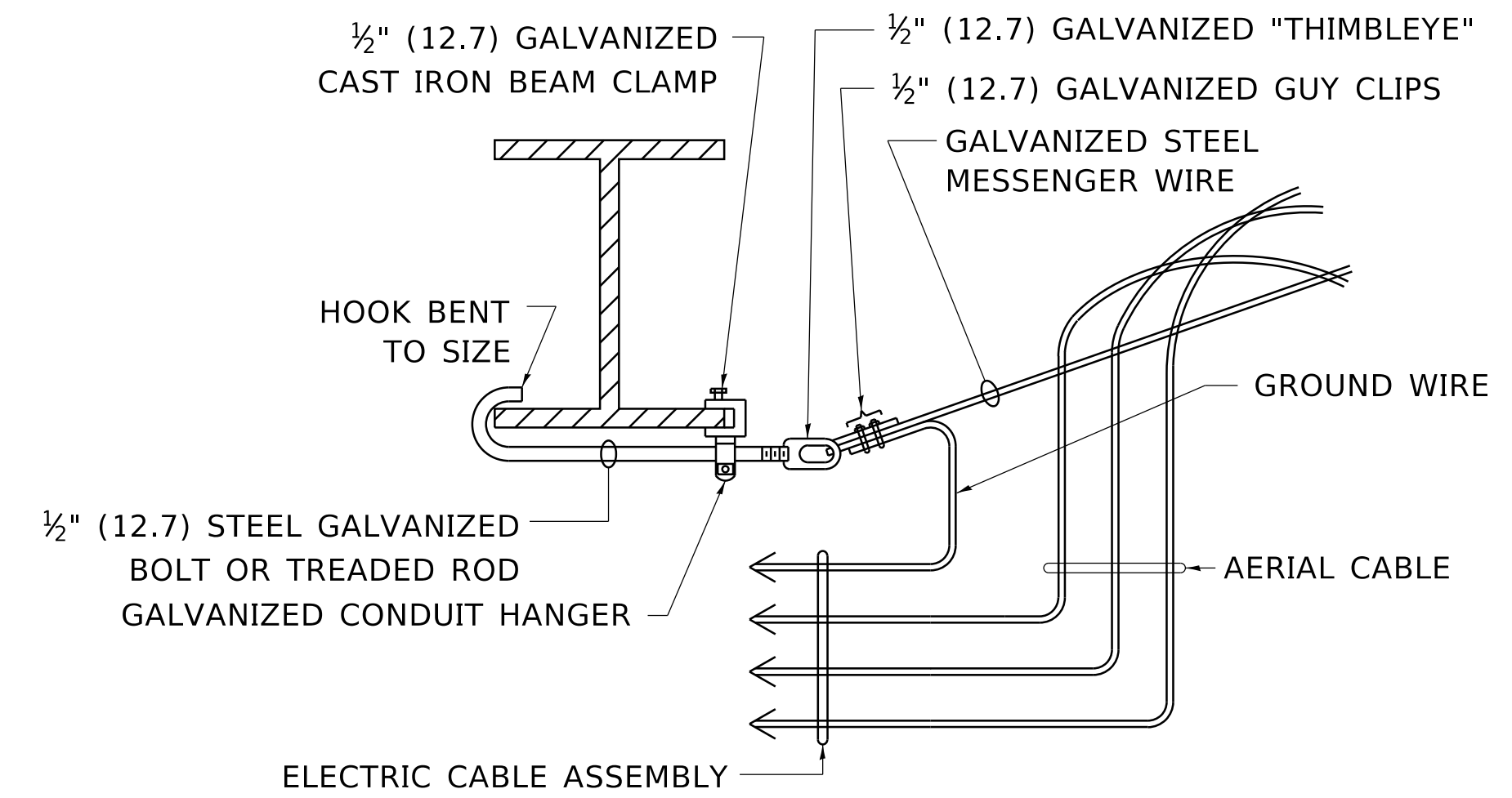


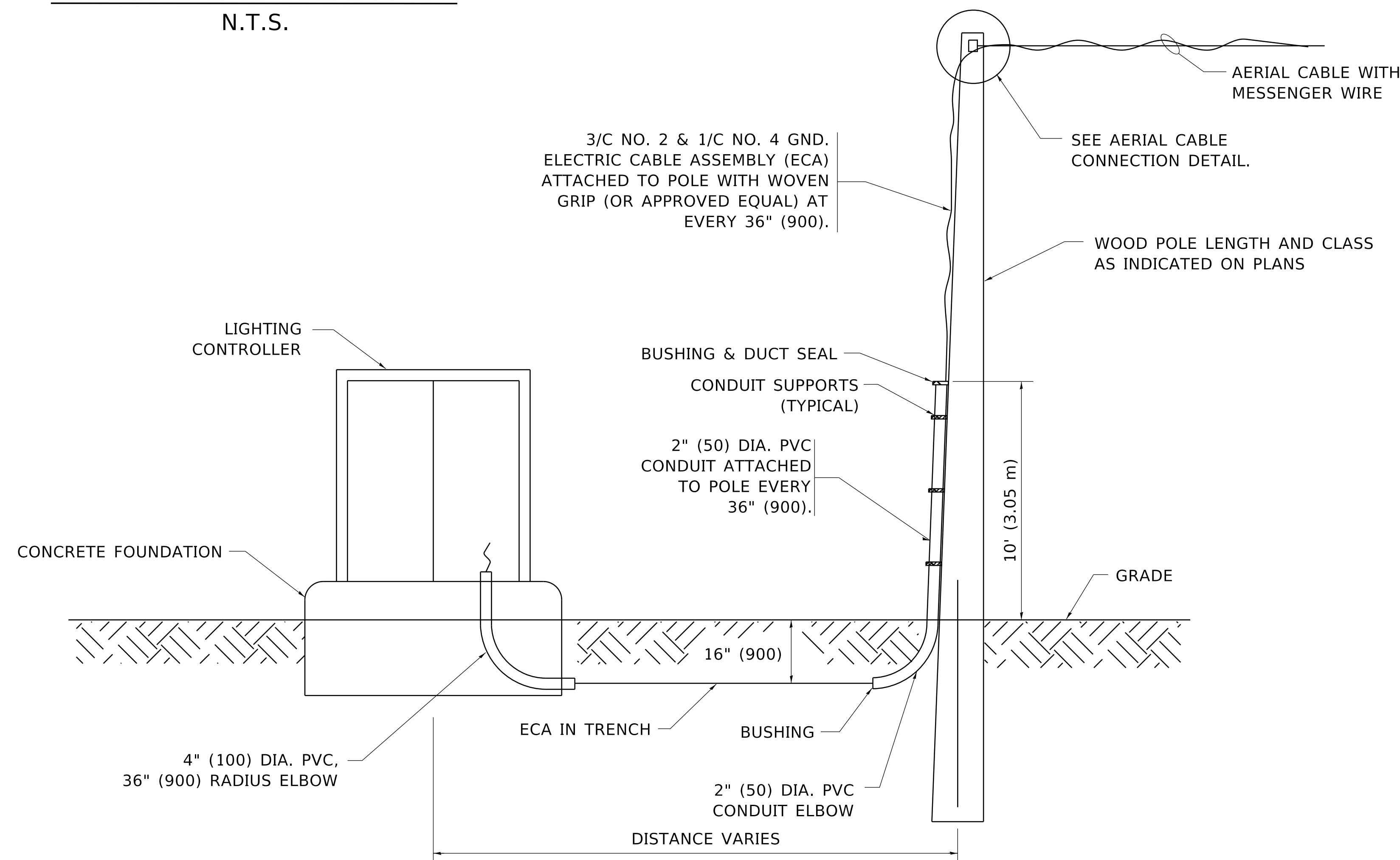
AERIAL CABLE CONNECTION DETAIL

N.T.S.



AERIAL CABLE ATTACHED TO STRUCTURE

NOT TO SCALE



WOOD POLE TO LIGHTING CONTROLLER WIRING CONNECTION DETAIL

N.T.S.

NOTES:

1. ALL DIMENSIONS IN INCHES (MILLIMETERS) UNLESS OTHERWISE INDICATED.
2. SEE PROPOSED LIGHTING PLAN FOR CONDUIT, CABLE AND ROUTING.
3. THE CONTRACTOR SHALL PROVIDE INTERMEDIATE SUPPORTS TO MAINTAIN MINIMUM CLEARANCES. REFER TO AERIAL AERIAL CABLE ATTACHED TO STRUCTURE DETAIL.
4. COST OF SPLICES AND MOUNTING HARDWARE SHALL BE INCLUDED IN THE UNIT PRICE FOR AERIAL CABLE.

MODEL: Default
FILE: M:\MTE_PlanRoom\dot Illinois.gov\PIW\DOT\Documents\DOT_Offices\District 1\Projects\Dist5\22341CAD\Drawn\CAD\sheet\be801.dgn

USER NAME = footemj	DESIGNED -	REVISED - 08-08-03
PLOT SCALE = 50.0000 ' / in.	DRAWN -	REVISED -
PLOT DATE = 4/19/2019	CHECKED -	REVISED -
	DATE -	REVISED -

**STATE OF ILLINOIS
DEPARTMENT OF TRANSPORTATION**

TEMPORARY AERIAL CABLE INSTALLATION

SCALE: NONE SHEET 1 OF 1 SHEETS STA. TO STA.

F.A. RTE.	SECTION	COUNTY	TOTAL SHEETS	SHEET NO.
	BE-801			
CONTRACT NO.				
ILLINOIS FED. AID PROJECT				